



STAINLESS STEEL  
**WALL MOUNTED**  
**SPECLINE FABRICATED SERVICE SINKS**

**Item #:** \_\_\_\_\_ **Qty #:** \_\_\_\_\_  
**Model #:** \_\_\_\_\_  
**Project #:** \_\_\_\_\_



**FS-WM-2219**



**FS-WM-2721**

**TUBULAR**  
**Wall Brackets**

**FEATURES:**

Backsplash has tile edge for ease of installation.  
 Sink bowls are 3/4" coved corner and meet NSF requirements.  
 Rolled Rim Edge for additional strength.  
 Sink Bowls are available in 10" & 12" depths.

**CONSTRUCTION:**

All TIG welded.  
 Welded areas blended to match adjacent surfaces and to a satin finish.  
 Gussets welded to a die-embossed reinforced plate.

**MATERIAL:**

Entire unit is 14 gauge 304 stainless steel.  
 Gussets - galvanized steel.  
 1-5/8" tubular stainless steel wall brackets.  
 Stainless steel gussets.

**MECHANICAL:**

- Supply is 1/2" IPS hot & cold.
- Faucet holes on 8" centers.
- Faucets are not included (**see accessories**).
- Waste drains are 1 1/2" IPS S/S basket type, located in center of sink bowl, and are included.



K-240



K-101



K-121



K-175



7-PS-32



7-PS-39

Accessories

	<b>Model #</b>	<b>Qty</b>
<b>Service Faucet</b>	<b>K-240</b>	
<b>8" Swing Spout Faucet</b>	<b>K-101</b>	
<b>Gooseneck Faucet</b>	<b>K-121</b>	
<b>Electronic Faucet</b>	<b>K-175</b>	
<b>Knee Valve Assembly</b>	<b>7-PS-32</b>	
<b>Foot Pedal Assembly</b>	<b>7-PS-39</b>	
<b>Faucet Hole Revision</b> (Required for K-121 & K-175 Faucets)	<b>K-472</b>	

**Standard Faucet conforms to NSF 61 Standard 9. An optional faucet upgrade is required for compliance to AB 1953 Standards.**

For Replacement Faucets & Upgrades, Drains & Accessories visit our website at [www.advancetabco.com](http://www.advancetabco.com)



**Customer Service Available To Assist You 1-800-645-3166 8:30 am - 8:00 pm E.S.T.**

Email Orders To: [customer@advancetabco.com](mailto:customer@advancetabco.com). For Smart Fabrication™ Quotes, Email To: [smartfab@advancetabco.com](mailto:smartfab@advancetabco.com) or Fax To: 631-586-2933

**NEW YORK**  
 Fax: (631) 242-6900

**GEORGIA**  
 Fax: (770) 775-5625

**TEXAS**  
 Fax: (972) 932-4795

**NEVADA**  
 Fax: (775) 972-1578

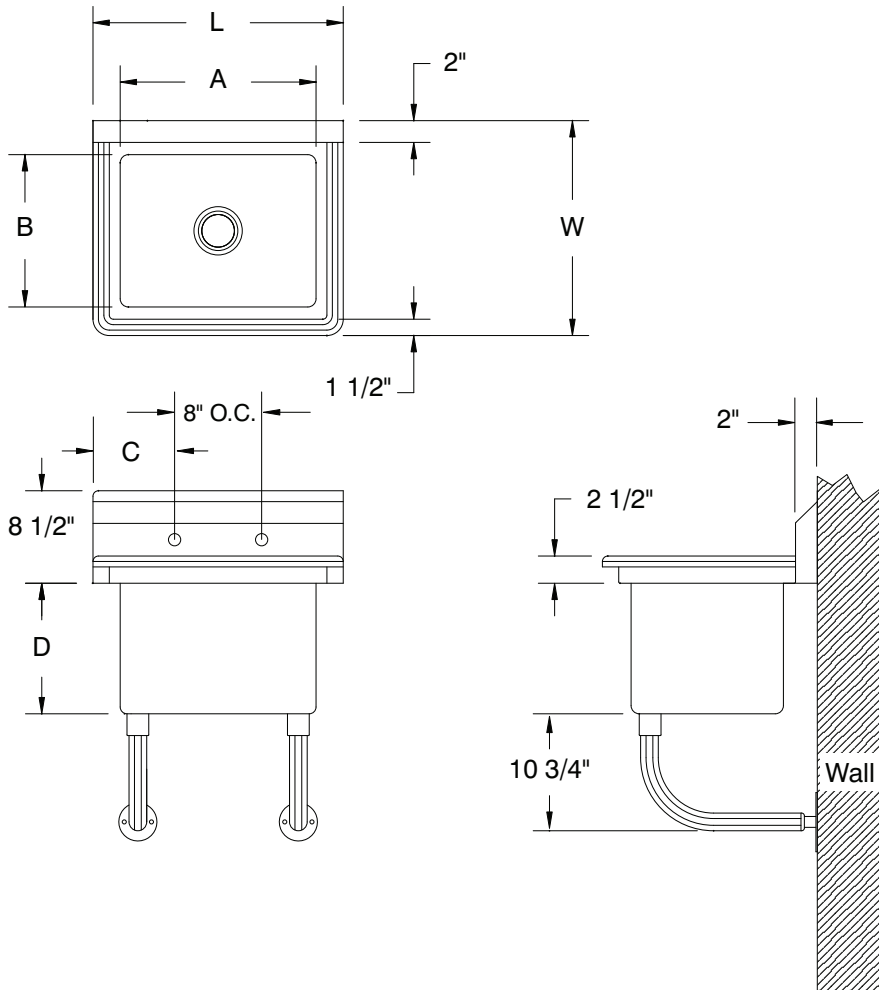
# DIMENSIONS and SPECIFICATIONS

TOL ± .500"

FITTINGS SUPPLIED AS SHOWN

ALL DIMENSIONS ARE TYPICAL

## FS-WM Series



MODEL #	Length L	Width W	Bowl Size A & B	Hole Distance C	Bowl Depth D	Wt	Cu.
FS-WM-2219	23"	19.5"	18" x 14"	7.5"	10"	52 lbs.	10
FS-WM-2721	27"	21.5"	22" x 16"	9.5"	12"	64 lbs.	13

