

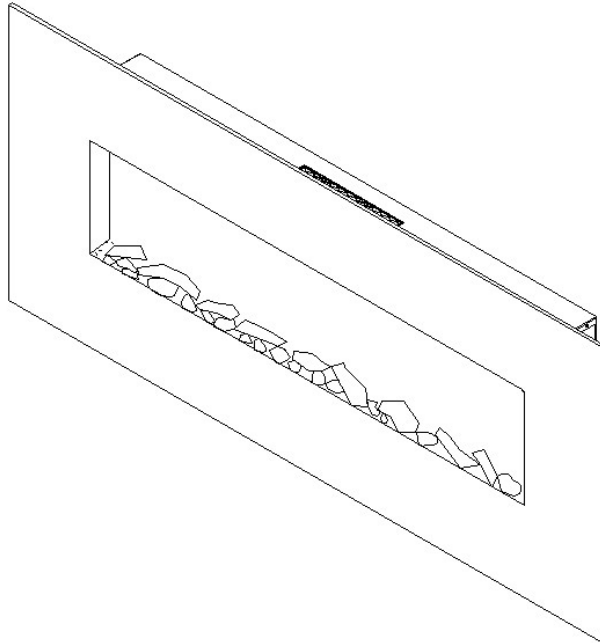
# ELECTRIC FLAT PANEL FIREPLACE HEATER

Onyx Electric Wall Mounted Fireplace

Ivory Electric Wall Mounted Fireplace

Model Numbers: 80001,80002

## OWNER'S MANUAL



### **⚠ WARNING**

Read this entire owner's manual, including **all safety information**, before plugging in or using this product. Failure to do so could result in **fire, electric shock, or serious injury**.

### **⚠ CAUTION**

Keep this owner's manual for future reference. If you sell or give this product away, **make sure this manual accompanies this product**.

***touchstone***  
Smart Furniture. Beautiful Solution.

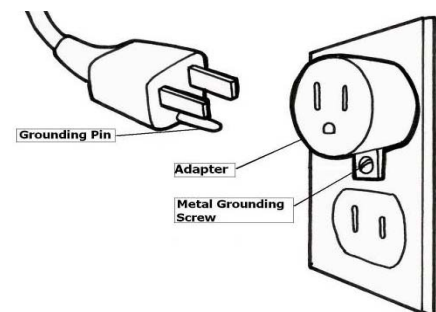
# IMPORTANT SAFETY INFORMATION!

## **WARNING**

- **Read all instructions before using this heater!**
- This heater is **hot when in use**. To avoid burns, **DO NOT** let bare skin touch **hot** surfaces. If provided, use handles when moving this heater. Keep **combustible materials**, such as furniture, pillows, bedding, papers, clothes, and curtains at least **3 feet (0.9m)** from the **front of the heater**, and **keep them away from the sides and rear**.
- **Extreme caution** is necessary when any heater is used by or near **children** and whenever the heater is left **operating and unattended**.
- **DO NOT** operate any heater with a **damaged cord or plug** or after the **heater malfunctions**, has been **dropped** or **damaged in any manner**. Discard heater, or return to authorized service facility for examination and/or repair.
- **DO NOT** run **power cord** under carpeting. **DO NOT** cover power cord with throw rugs, runners, or similar coverings. **DO NOT** route power cord under furniture or appliances. Arrange power cord **away from traffic** area, and where it will not be tripped over.
- **Connect to properly grounded outlets ONLY.**
- **DO NOT** insert or allow **foreign objects** to enter any **ventilation or exhaust opening**, as this may cause **electric shock** or **fire**, or **damage the heater**.
- To prevent a possible fire, **DO NOT** block air intakes or exhaust in any manner. Doing so could cause a **fire**. **DO NOT** use on soft surfaces, like a bed, where openings may become blocked.
- **DO NOT** use it in areas where **gasoline, paint, or flammable liquids** are used or stored.
- **Use this heater only as described in this manual. Any other use not recommended by the manufacturer may cause fire, electric shock, or injury.**
- **ALWAYS** plug heaters directly into a wall outlet/receptacle. **NEVER** use with an extension cord or relocatable power tap (outlet/power strip).
- **DO NOT** place the heater near a bed because objects such as pillows or blankets can fall off the bed and be ignited by the heater.
- **NEVER** use this heater in **bathrooms, laundry rooms**, or any other location where the heater could **become damp**, or **come in contact with water**.
- **AVOID FIRE!** Regularly inspect all air vents to make sure they are free from dust, lint, or other blockage. **Unplug the unit** and clean with a **vacuum ONLY**. **DO NOT** rinse or get wet.
- **NEVER** hang this unit on a wall **directly below an electrical outlet**.
- **ALWAYS** mount to wall bracket before use. **DO NOT** set on the floor, or other surface, to use.
- **NEVER** use a wall mount bracket from another manufacturer.

# **WARNING**

- This product is **not intended** to be a **primary heat source**. It is for **supplemental heat only**.
- **INDOOR use only! NEVER** use this heater **outdoors!** Doing so may result in **electric shock!**
- **Risk of electric shock! DO NOT OPEN!** No user-serviceable parts inside!
- **NEVER modify this heater.** Doing so could result in personal **injury** or property **damage**. Modification of this fireplace **completely voids all warranties**.
- **ALWAYS** turn this heater off before unplugging it from the outlet.
- **ALWAYS disconnect** this unit from the **power supply before** performing any assembly or cleaning, or before relocating the electric fireplace.
- **NEVER** leave this heater unattended. **ALWAYS** unplug this heater when not in use.
- **ALWAYS** store this heater in a dry location. **NEVER** use the fireplace if it has become wet.
- Place the heater near a wall outlet so an extension cord is not needed. If an extension cord is needed, the **gauge** of the cord **must be at least 14AWG**, and the **rating must be at least 1875 Watts**. **NEVER** use a **smaller gauge** cord with a **lower rating**. Doing so may result in **fire or electric shock**.
- **ONLY** use this heater on a **120V AC 15-Amp grounded circuit**. **NEVER overload the circuit**. If this heater trips the circuit breaker, unplug all other appliances on the same circuit before the next use. Avoid plugging other appliances into the same circuit as this heater.
- **NEVER** plug this heater into an outlet that is **old, cracked**, or has any **loose wires or connections**. Plugging this heater into a faulty outlet could result in **electric arcing** within the outlet that could cause the **outlet to overheat or catch fire**.
- **ALWAYS** check your heater cord and plug connections with **each use!**
  - i) **MAKE SURE** the plug fits tight in the outlet! Faulty wall outlet connections or loose plugs can cause the outlet to overheat.
  - ii) **Heaters draw more current** than small appliances. **Overheating** may occur even if it has not occurred with the use of other appliances.
  - iii) During use **check frequently** to see if the **plug outlet or faceplate is HOT!**
  - iv) If the outlet or faceplate is **HOT**, **discontinue use immediately** and have a qualified electrician inspect and/or replace the faulty outlets.
- The power cord supplied with the heater has three prongs: two flat blades (live and neutral) and one round pin (ground). If a 3-slot receptacle is not available, an adapter **MUST** be used. The adapter **MUST** be **properly grounded** to the outlet box (see figure at right). [NOTE: Adapter NOT INCLUDED.]
- **SAVE THESE INSTRUCTIONS!**



# Preparation




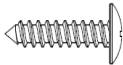




This product includes a **GLASS panel!** Always use **extreme caution** when handling **glass**. Failure to do so could result in **personal injury** or **property damage**.

Remove all parts and hardware from the carton and place them on a clean, soft, dry surface. Parts and assembly steps are grouped for free-standing or wall-hanging use. Check the parts list to make sure nothing is missing. Dispose of packaging materials properly. Please recycle whenever possible.

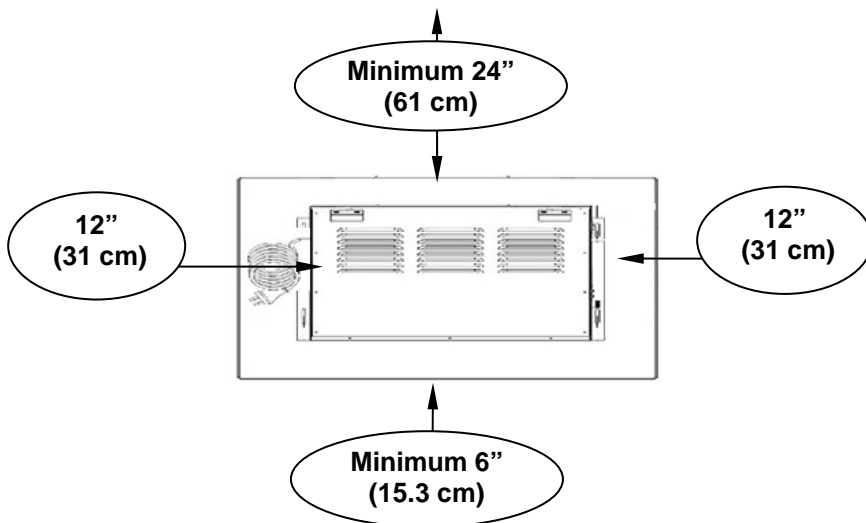
**You will need the following tools (not included):** Phillips screwdriver; stud finder; level; tape measure; electric drill; 1/4" wood drill bit, hammer.

# Parts and Hardware for 80001 and 80002

 <p><b>A – Fireplace ( 1 )</b></p>	 <p><b>B – Wood Screws (3)</b></p>	 <p><b>C – Drywall anchors ( 3 )</b></p>
	 <p><b>D – ST Metal Screws (2)</b></p>	 <p><b>RC – Remote Control</b></p>
 <p><b>E - Wall Bracket (1)</b></p>		

# Installation and Assembly

## Rear View of Fireplace



## Step 1. Find a safe location.

Minimum clearance on each side: 12" (31 cm).

Minimum clearance below: 6" (15.3 cm).

Minimum clearance above: 24" (61 cm).

Minimum clearance from the front and sides: 3 feet (90 cm).

Choose a location near an outlet so an extension cord is not required.

**DO NOT** position the unit **directly below** a power outlet.

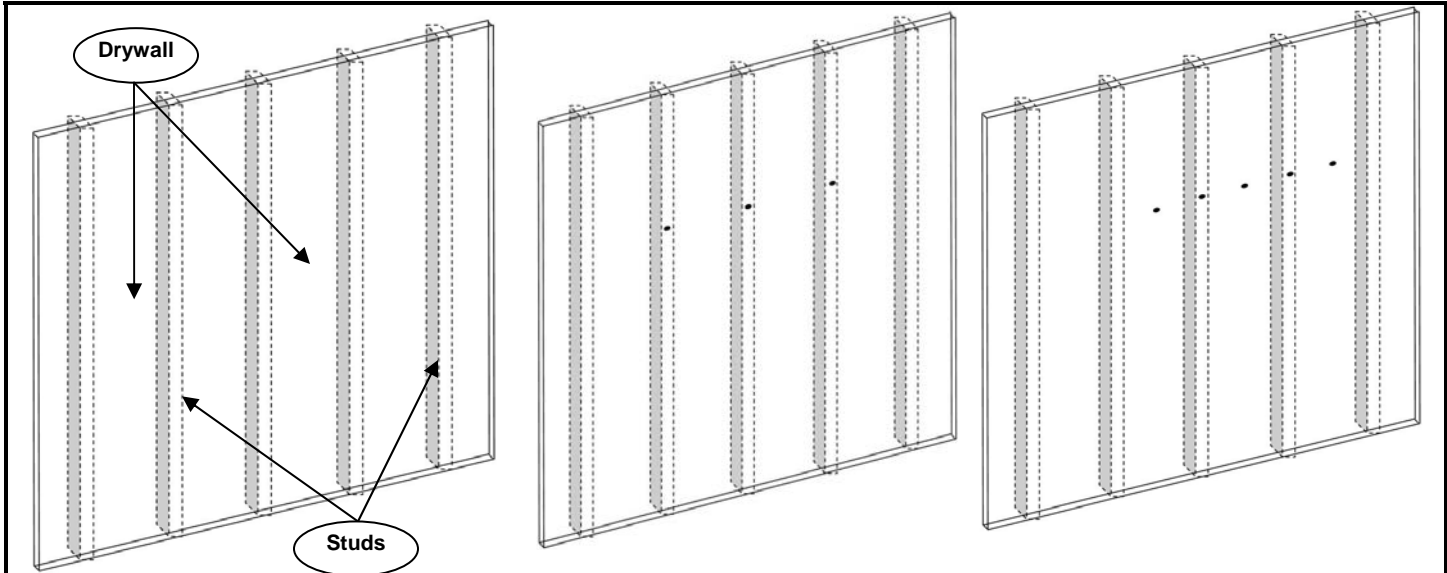
See **Safety Information** on **pages 2 and 3** for warnings about **safe placement, safe installation, and proper use** of this product.

## NOTICE

The wall mount fasteners included with this fireplace are for use **ONLY** with a wood-framed wall covered in drywall (sheet rock). For concrete walls, cinder blocks, or other wall types, consult a professional for the best attachment methods.



**ALWAYS unplug** this fireplace heater **before assembly** or **cleaning**, or **before relocating**. Failure to do so could result in **electric shock**, **fire**, or **personal injury**.

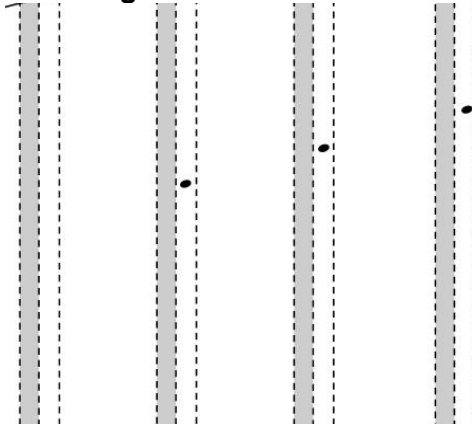


**STEP 2. A.** Locate the wall studs using an electronic stud-finder. Mark the hole locations with a pencil. The holes should be 8" (20.3 cm) apart, and level. **B.** Three screws should be screwed directly into wall studs. Then, no drywall anchors are needed. **C. If only two studs are available, two screws MUST be screwed directly into studs**, and the other screws must be screwed into the drywall anchors.

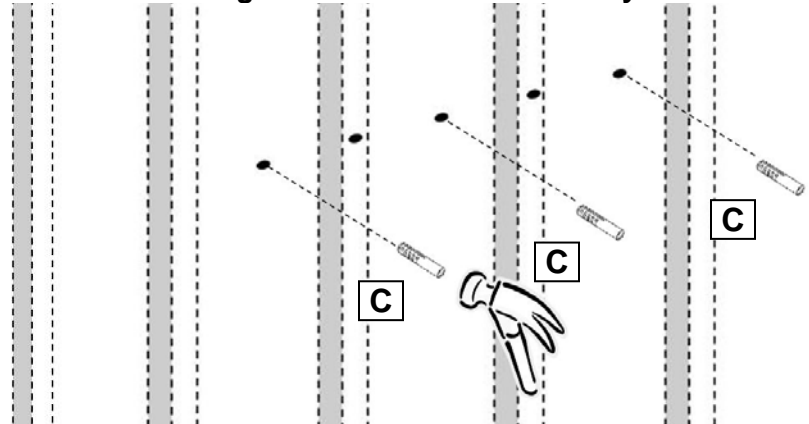


**AVOID INJURY and DAMAGE!** Three screws should be screwed **directly into wall studs**. If only two studs are available, **two screws must be screwed directly into the wall studs**, and additional screws must also be **screwed into the drywall anchors**.

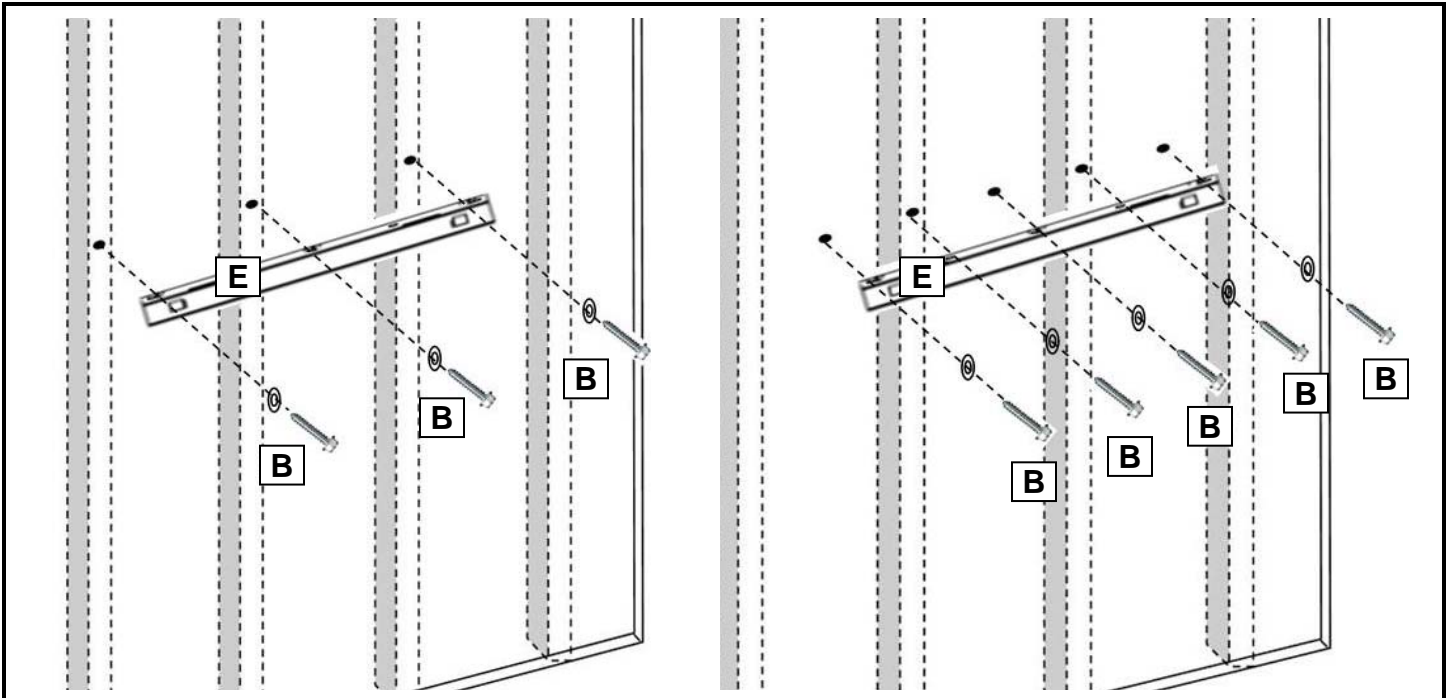
**Mounting into three wall studs**



**Mounting into two wall studs and drywall anchors**



**STEP 3.** Drill a pilot hole into each mark using a 1/4" wood drill bit. **A.** If screws will go into three studs, no drywall anchors are needed. **B.** Tap the drywall anchor(s) (C) carefully into the drywall holes until they are flush with the drywall surface. Use care to avoid damage.



**STEP 4.** Align the holes in the wall bracket (E) with the pilot holes and drywall anchors. Thread wood screws (B) through washers and holes in the wall bracket, then directly into the wall studs and/or drywall anchors. Make sure bracket is level. Tighten all screws securely with a screwdriver.



**ALWAYS unplug** this fireplace heater **before assembly** or **cleaning**, or **before relocating**. Failure to do so could result in **electric shock**, **fire**, or **personal injury**.

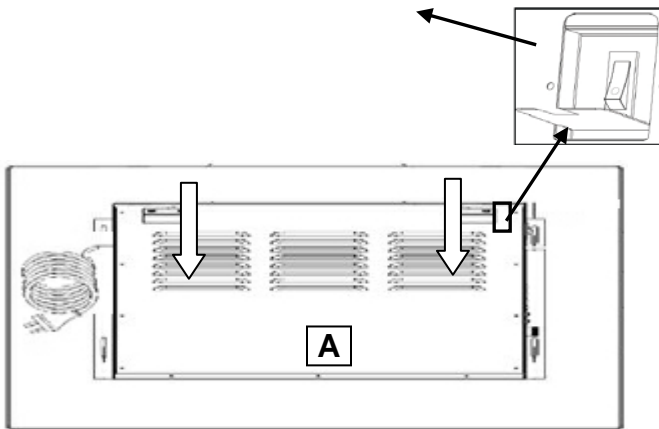
## NOTICE

The Heating Enabling Switch on the back of the fireplace must be turned on for the heater to work..

### IMPORTANT NOTE:

The heating enabling switch on the back of the fireplace must be turned **on** for the heater to work. **Turning it on before hanging the fireplace on the wall.**

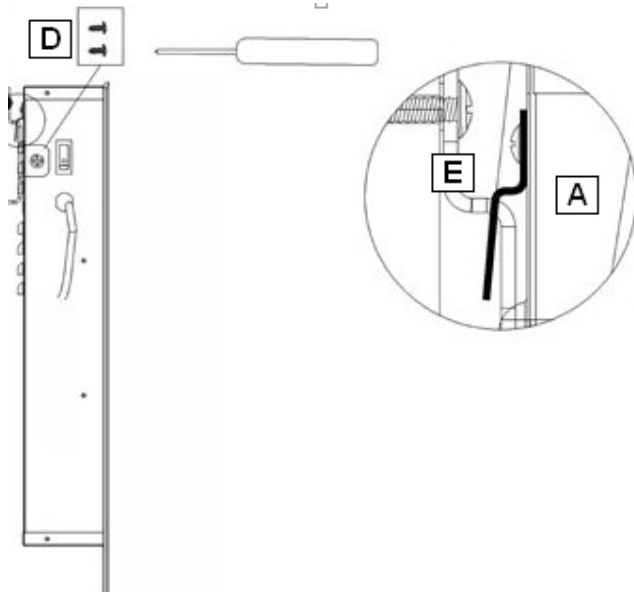
( Heating enabling switch)



**STEP 5A.** Turn on the enabling switch, which is located on the back of the fireplace(A)

**STEP 5B.** With the help of a capable adult, lift the fireplace (A) and align the hooks on the back of the fireplace with the slots on the wall bracket. Carefully set the hooks into the slots.

**STEP 5C.** Secure the fireplace to the wall bracket with two ST metal screws (D), one on each side. Thread the screws through the fireplace and into the wall bracket side tabs. Tighten both screws with a Phillips screwdriver. The unit may now be plugged in.



# Operation



**Read and understand** this entire owner's manual, including **all safety information**, before plugging in or **using** this product. Failure to do so could result in **electric shock, fire, serious injury, or death.**

## Power

Make sure the ON/OFF switch, located on the left side panel, is in the OFF position. Plug the power cord into a 110~120 Volt 15 Amp grounded outlet (see **IMPORTANT SAFETY INFORMATION** on **Pages 2 and 3**). Make sure the outlet is in good condition and that the plug is not loose. **NEVER** exceed the maximum amperage for the circuit. **DO NOT** plug other appliances into the same circuit.

## Methods of Operation

This electric fireplace can be operated by the CONTROL PANEL, located on the right side panel of the fireplace (see figure below), or by the battery-powered REMOTE CONTROL.

The operation and functions of the two methods are the same.

Before operating, please review the **IMPORTANT SAFETY INFORMATION** on **Pages 2 and 3**, and heed all warnings.



# Operation



**Read and understand** this entire owner's manual, including **all safety information**, before plugging in or **using** this product. Failure to do so could result in **electric shock, fire, serious injury, or death.**

## Power

Make sure the ON/OFF switch, located on the left side panel, is in the OFF position. Plug the power cord into a 110~120 Volt 15 Amp grounded outlet (see **IMPORTANT SAFETY INFORMATION** on **Pages 2 and 3**). Make sure the outlet is in good condition and that the plug is not loose. **NEVER** exceed the maximum amperage for the circuit. **DO NOT** plug other appliances into the same circuit.

## Methods of Operation

This electric fireplace can be operated by the CONTROL PANEL, located on the right side panel of the fireplace (see figure below), or by the battery-powered REMOTE CONTROL.

The operation and functions of the two methods are the same.

Before operating, please review the **IMPORTANT SAFETY INFORMATION** on **Pages 2 and 3**, and heed all warnings.

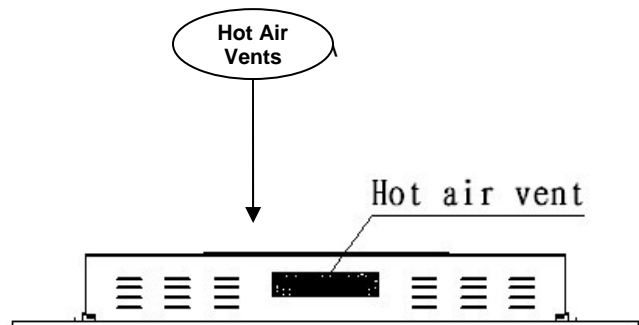
## NOTICE

When the heater is first turned on, a slight odor may be present. This is normal and should not occur again unless the heater is not used for a long period of time.

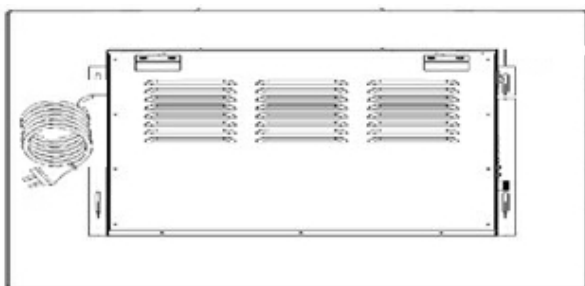
Front View



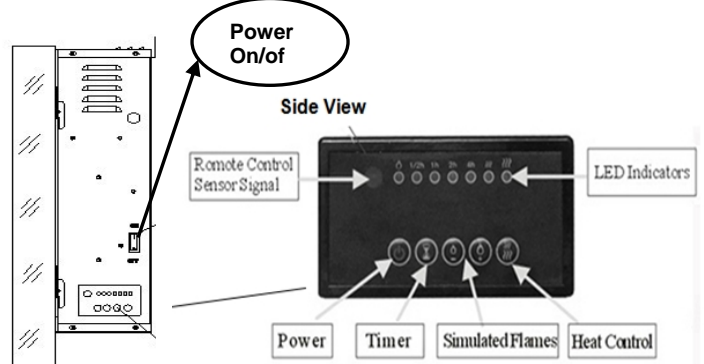
Top View



Rear View









Left Side View



## Control Panel / Remote Control Operation

(Control panel POWER switch must be ON to use remote control.)

BUTTON	FUNCTION	ACTION & INDICATION
 ON OFF	<p><b>ON (I).</b> Enables all functions.</p> <p><b>OFF (O).</b> Turns off all functions on control panel and remote control.</p>	<ol style="list-style-type: none"> <li><b>Press ON (I).</b> Power turns on. All functions are enabled.</li> <li><b>Press OFF (O).</b> Power, flame effect, and all functions turn off.</li> </ol>
 POWER	<p><b>ON:</b> Enables touch panel functions and remote control. Turns on flame effect.</p> <p><b>OFF:</b> Disables touch panel functions and remote control. Turns off flame effect.</p>	<ol style="list-style-type: none"> <li><b>Press once.</b> Indicator light turns on. Power turns on. All functions enabled.</li> <li><b>Press again.</b> Flame effect turns off. Power and all functions turn off.</li> </ol>
 TIMER	<p><b>TIMER button:</b> Controls timer settings to turn off fireplace at selected time. Settings range from 0.5 hours to 7.5 hours.</p>	<ol style="list-style-type: none"> <li><b>Press once.</b> Indicator light turns on. Timer is set to 0.5 hours.</li> <li><b>Press again until desired setting is reached.</b> Indicator lights show setting.</li> </ol>
 FLAME -	<p><b>FLAME “-”:</b> Makes flame effect dimmer.</p> <p><b>NOTE:</b> Flame effect stays on until power button is turned off. Flame effect must be on for heater to turn on.</p>	<ol style="list-style-type: none"> <li><b>Press once.</b> Flame effect gets dimmer.</li> <li><b>Press again until desired setting is reached.</b> Flame effect continues to get dimmer each time button is pressed.</li> </ol>
 FLAME +	<p><b>FLAME “+”:</b> Makes flame effect brighter.</p> <p><b>NOTE:</b> Flame effect stays on until power button is turned off. Flame effect must be on for heater to turn on.</p>	<ol style="list-style-type: none"> <li><b>Press once.</b> Flame effect gets brighter.</li> <li><b>Press again until desired setting is reached.</b> Flame effect continues to get brighter each time button is pressed.</li> </ol>
 HEATER	<p><b>HEATER button:</b> Turns heater on and off.</p> <p><b>NOTE:</b> The heater only works when the flame effect is on. If the flame effect is off, the heater will not turn on.</p> <p><b>NOTE:</b> To prevent overheating, the heater blows cool air for 10 seconds before the heater turns on, and after it turns off.</p>	<ol style="list-style-type: none"> <li><b>Press once.</b> Indicator lights up. Fan blows cool air for 10 seconds. Low heater turns on and blows warm air.</li> <li><b>Press again.</b> Indicator lights up. High heater turns on and blows hot air.</li> <li><b>Press again.</b> Heaters turn off. The fan blows cool air, then turns off.</li> </ol>

## NOTICE

To improve operation, **aim** the remote control at the front of the fireplace. **DO NOT press the buttons too quickly.** Give the unit time to respond to each command.

## Temperature Limiting Control

This heater is equipped with a Temperature Limiting Control. Should the heater reach an unsafe temperature (212°F / 100°C), the heater will automatically turn OFF. To reset:

1. Unplug the power cord from the outlet.
2. Turn the ON/OFF switch on the CONTROL PANEL to OFF. **Wait 5 minutes.**
3. Inspect the fireplace to make sure no vents are blocked, or clogged with dust or lint. If they are, use a vacuum to clean the vent areas.
4. With the POWER switch in the OFF position, plug the power cord back into the outlet.
5. If the problem continues, have your outlet and wiring inspected by a professional.

## Remote Control Battery Information

- This remote control uses two **AAA battery** (Not included).
- Instructions for battery installation are on the Remote Control battery compartment.



**NEVER** dispose of batteries in **fire**. Failure to observe this precaution **may result in an explosion**. Dispose of batteries at your local hazardous material processing center.

## Care and Maintenance

### Cleaning



**ALWAYS** turn the heater **OFF** and **unplug the power cord from the outlet** before cleaning, performing maintenance, or moving this fireplace. Failure to do so could result in **electric shock, fire, or personal injury**.



**NEVER** immerse in **water** or **spray with water**. Doing so could result in **electric shock, fire, or personal injury**.

#### Metal:

- Buff using a soft cloth, slightly dampened with a citrus oil-based product.
- **DO NOT** use brass polish or household cleaners as these products will damage the metal trim.

#### Glass:

- Use a good quality glass cleaner sprayed onto the cloth or towel. Dry thoroughly with a paper towel or lint-free cloth.
- **NEVER** use abrasive cleansers, liquid sprays, or any cleaner that could scratch the surface.

#### Vents:

- Use a vacuum or duster to remove dust and dirt from the heater and vent areas.

#### Plastic:

- Wipe gently with a slightly damp cloth and a mild solution of dish soap and warm water.

- **NEVER** use abrasive cleansers, liquid sprays, or any cleaner that could scratch the surface.

## Maintenance



**Risk of electric shock! DO NOT OPEN any panels other than the bulb replacement plate! No user-serviceable parts inside!**



**ALWAYS** turn the heater **OFF** and **unplug the power cord from the outlet** before cleaning, performing maintenance, or moving this fireplace. Failure to do so could result in **electric shock, fire, or personal injury.**

### Electrical and Moving Parts:

- The fan motors are lubricated at the factory and will not require lubrication.
- Electrical components are integrated in the fireplace and are not serviceable by the consumer.

### Storage:

- Store heater in a clean dry place when not in use.