

ARCHITECTURAL AND ENGINEERING SPECIFICATIONS
AIRSTYLE™ HAIR DRYER



Designed for health clubs, locker rooms, and schools. Airstyle™ hair dryers feature a safe and efficient, high powered 80 second drying cycle.

Features

Push button dryer features a safe and energy efficient, high powered 80 second drying cycle

Available in surface or recessed mounted


Provides a convenient amenity that is highly vandal-resistant

All models feature swivel nozzles that are field convertible to fixed

Warranty

10 year limited

AIRSTYLE™ SPECIFICATIONS

Airstyle™ Model B Series industrial hair dryers shall be manufactured by or for World Dryer to include a 1/4" thick cast iron with porcelain enamel, 14 gauge thick epoxy coated Cold Rolled Steel, or 14 gauge thick polished or brushed 304 stainless steel. Motor shall be of universal type, 1/10 hp at 7500 RPM. Dryer shall deliver 200 CFM (7300 LFM) of warm air volume. Dryers shall be activated by means of a pushbutton control device. Timer shall be cam-operated electro-mechanical type, designed to operate the hair dryer for no less than 80 seconds after activation. Chrome plated nozzle to revolve 360°. Recessed units will include a 16-gauge steel wall-mounting box. Hair dryer shall be listed under the reexamination service of Underwriters Laboratories, Inc. 

SPECIFIER'S APPROVAL

Job _____	Date _____
Model Number _____	Quantity _____
Variations _____	Recess Kit _____
Customer/Wholesaler _____	
Contractor _____	
Architect/ Engineer _____	

Electronic specifications available online: www.worlddryer.com/specs



MODEL NUMBERS

PUSH BUTTON MODELS		ELECTRICAL			
Surface	Recessed	Volts	Amps	Watts	Freq
B	RB	115	20	2300	60 Hz
B1	RB1	115	10	1725	60 Hz
B3	RB3	208/230	10	2300	60 Hz
B7	RB7	277	8.5	2350	60 Hz
B38*	RB38*	230	10	2300	50 Hz

Recessing Kits available - specify in addition to the hand dryer * Export Models only

MOUNTING HEIGHTS

	Surface
Men	68" (172cm)
Women	59" (150cm)
Children ages 3-7	51" (104cm)
Children ages 8-10	48" (122cm)
Children ages 11-13	54" (132cm)
Children ages 14-17	59" (150cm)
Disabled	40" (102cm)

Measured from floor to the bottom of the unit

COVER OPTIONS

CAST IRON Porcelain Enamel		STAMPED STEEL*	STAINLESS STEEL*	
Standard		Standard	Finishes	
White 974	Beige 468	White 874	Polished 972	Brushed 973

Cast Iron

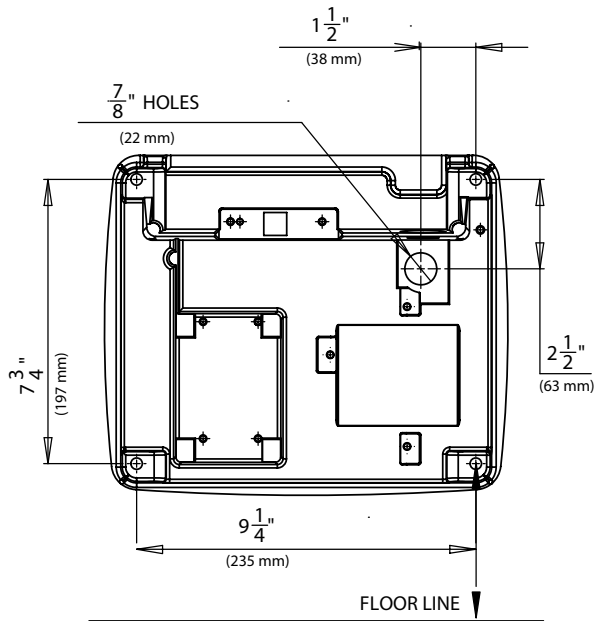
Cast iron covers provide the ultimate in durability and vandal-resistance. The 1/4" thick cast iron with porcelain enamel construction makes this option suitable for areas such as train and bus stations, schools, theaters, airports, and prisons.

Steel

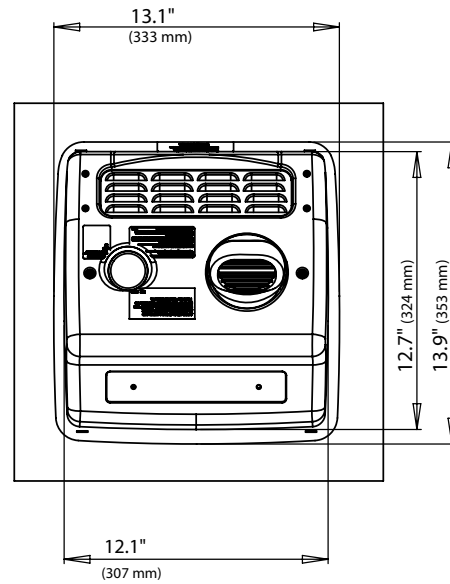
The more economical steel cover is an excellent alternative for more moderate usage, while still offering durability. Stainless is elegant, beautiful, but not necessarily more "commercial" than other dryers.

MEASUREMENTS

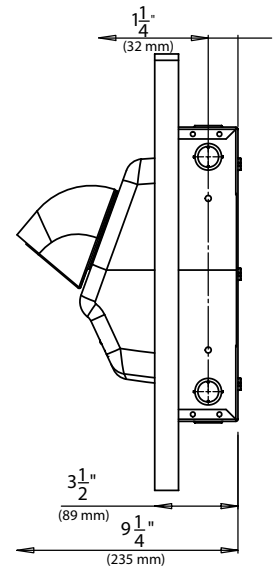
MOUNTING STYLE	UNIT MEASUREMENTS	SHIPPING WEIGHT		SHIPPING DIMENSIONS
		Iron	Steel	
Surface	11-3/8" W x 9-5/8" H x 8-1/8" D	29 lbs	18 lbs	13" L x 10" W x 11-1/2" H
Recessed	13-1/8" W x 13-7/8" H x 4" D	35 lbs	---	15" L x 15" W x 11-1/4" H



SURFACE MOUNTED



RECESS MOUNTED



SIDE VIEW

WORLD DRYER

800-323-0701
 www.worlddryer.com