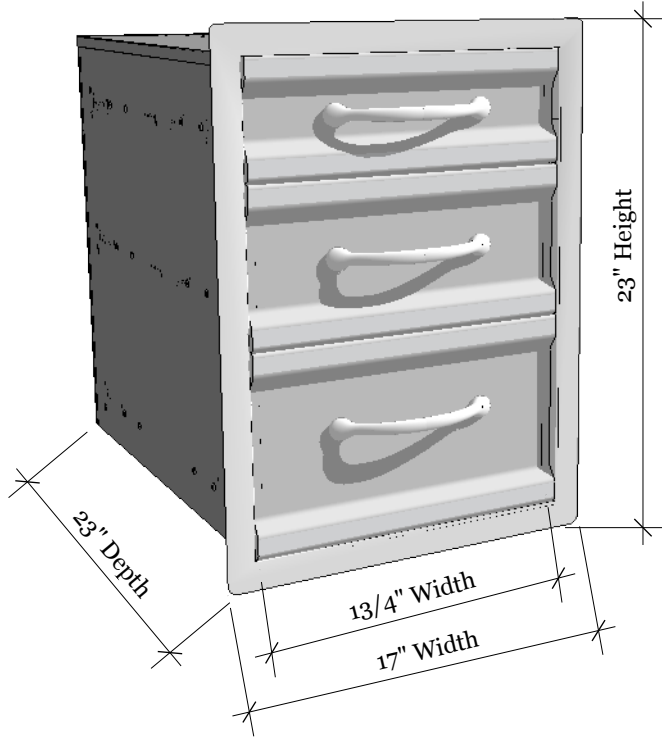
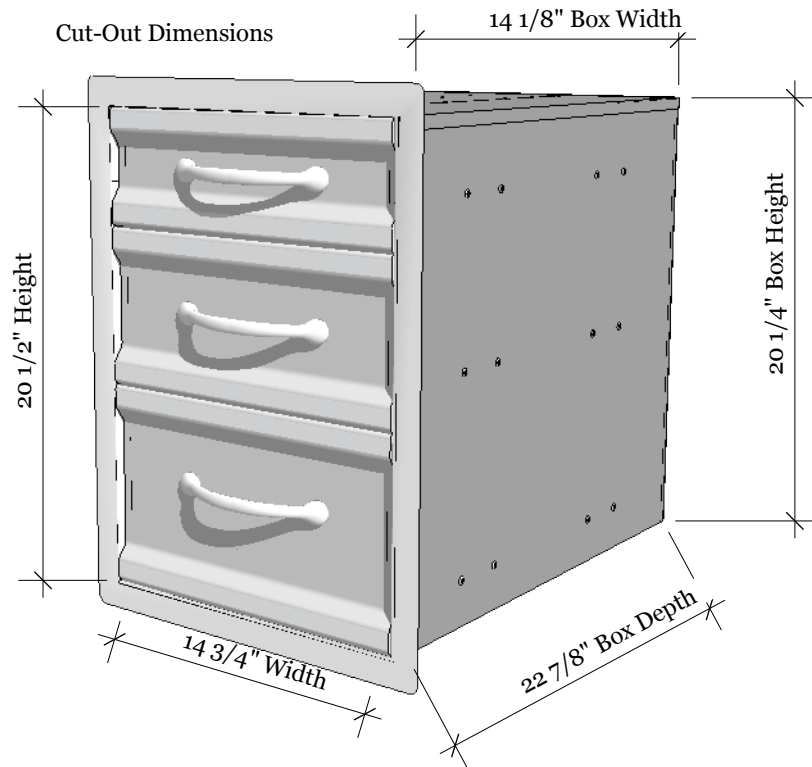


**Product Dimensions**



**Cut-Out Dimensions**



**TEXAS BBQ WHOLESALERS**  
 13802 Dragline Dr.  
 Austin, TX. 78728  
 Tel: 888.934.9449  
 Bus: 512.487.5116  
 Fax: 512.487.7016

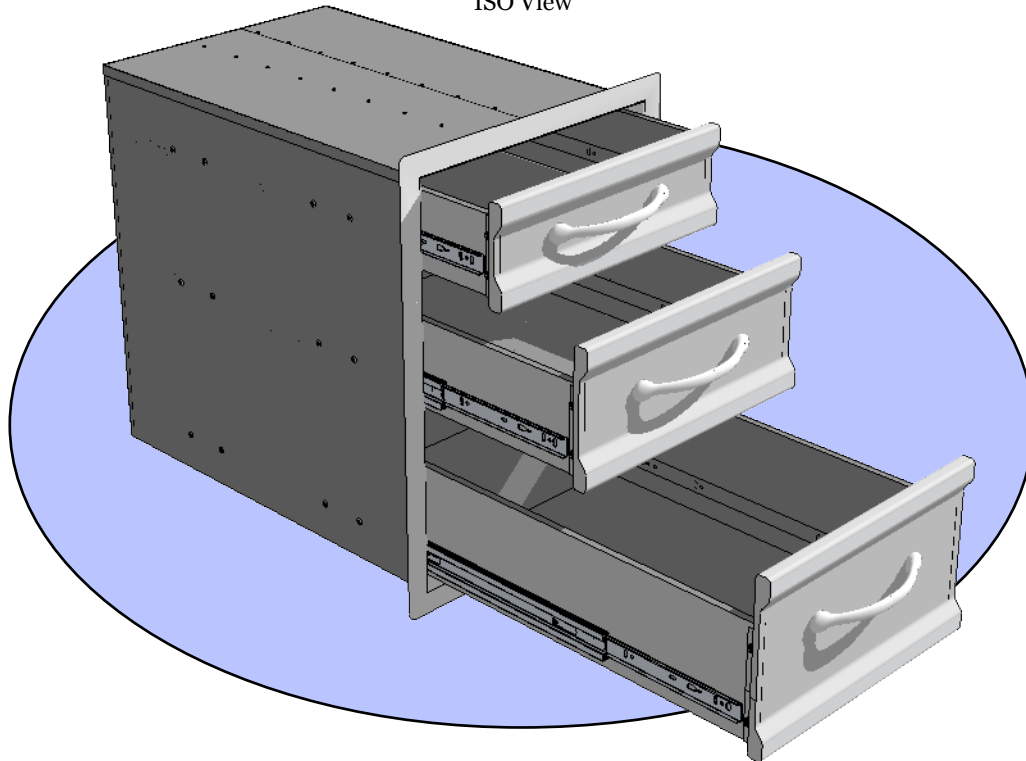
**PRODUCT**  
**SUN PREMIUM TRIPLE ACCESS DRAWER**  
 Item No. C-TD20

**DESCRIPTION**  
 304 stainless construction, flush mounted Polished Look. Drawers are fully enclosed.

**Premium Triple Access Drawer**  
 17"W x 23"H x 23"D (Product Size )  
 14-3/4"W x 20-1/2"H (Cut-out )  
 59 LBS ( Weight )

**Material Specifications:**  
 304 stainless steel  
 16 Gauge for Frame  
 18 Gauge for Panel  
 18 Gauge galvanized Box  
 Handles are made of zinc alloy, chrome plated.

**ISO View**



**Drawer Extension**

