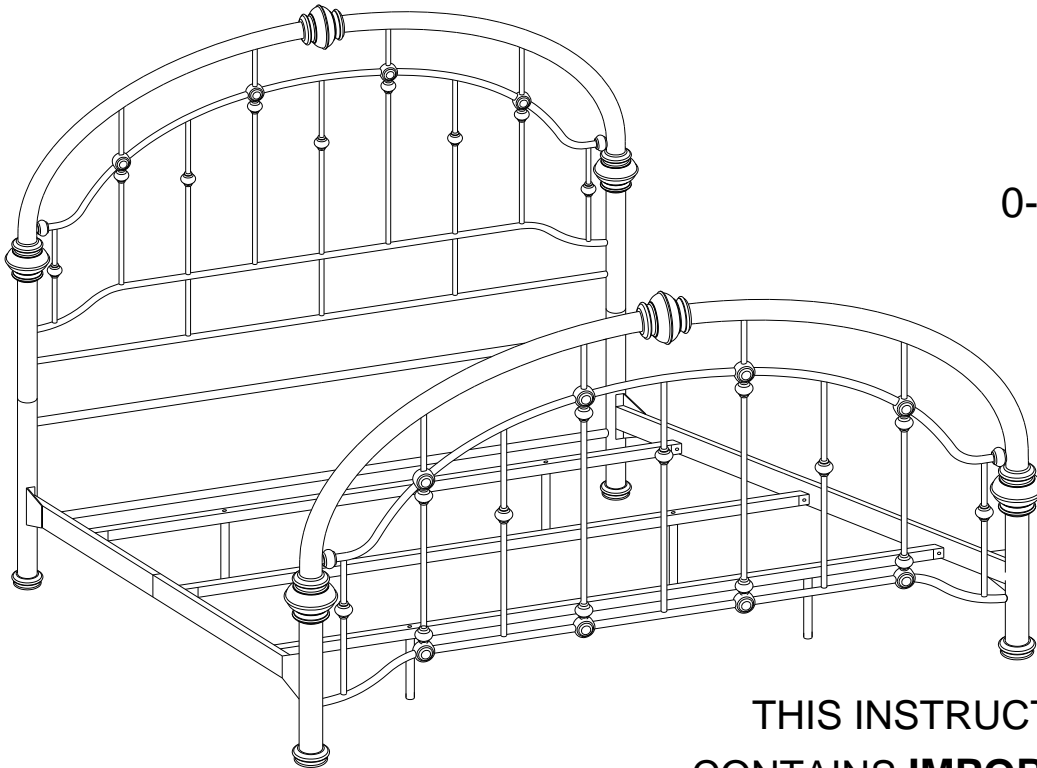


DOREL ASIA

QUEEN METAL BED

Model No:

DA3285



UPC CODE:

0-65857-16539-5

NOTE:

THIS INSTRUCTION BOOKLET
CONTAINS **IMPORTANT** SAFETY
INFORMATION. PLEASE READ AND
KEEP FOR FUTURE REFERENCE.

Lot number:

(TAKEN FROM CARTON)

Date of purchase:

____ / ____ / ____

DO NOT RETURN PRODUCT TO THE STORE.

If a part is missing or damaged, contact our customer service department. We will replace the part **FREE** of charge.



Tel #: 1-800-295-1980
E-Mail: das@dorel.com

CUSTOMER SERVICE

If you are missing parts or have any questions about this product, contact our customer service representative first!

 **CALL 1-800-295-1980**

You can also order parts by writing to the address listed below. Please include the product model number, color and a detailed description of the part.

**Customer Service Department No. 413
12345 Albert-Hudon Boulevard, Suite 100
Montreal, Quebec
Canada H1G 3L1**

E-MAIL: das@dorel.com

NOTES

- * Ensure all parts and components are present before beginning assembly.
- * Assemble on a clean, smooth surface to prevent damage to product finish.
- * **DO NOT** use power tools.
- * **CAUTION:** Adult assembly required.
- * Assembly and handling will require two people.
- * Estimated assembly time: 8 minutes.

CARE AND CLEANING

Dust this item regularly with a soft, lint-free cloth to prevent soil build up. Wipe with a soft, damp cloth if necessary. Do not use abrasives, cleaners, or polish on the metal frame as this may damage the finish.

MAINTENANCE

Check bolts/screws periodically and tighten them if necessary.

LIMITED WARRANTY

Dorel Asia warrants its product to be free from defects in material and workmanship and agrees to remedy any such defect. This warranty covers 1 year from the date of original purchase. This warranty is valid only upon presentation of proof of purchase. This is solely limited to the repair or replacement of defective furniture components and no assembly labor is included. This warranty does not apply to any product which has been improperly assembled, subjected to misuse or abuse or which has been altered or repaired in any way. This warranty gives you specific legal rights and you may also have other rights which vary from State to State.

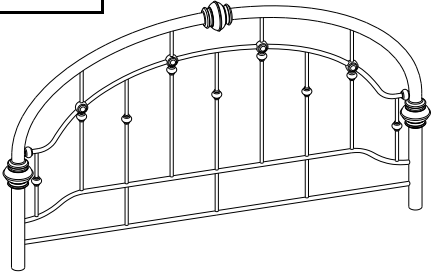
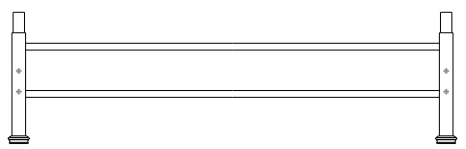
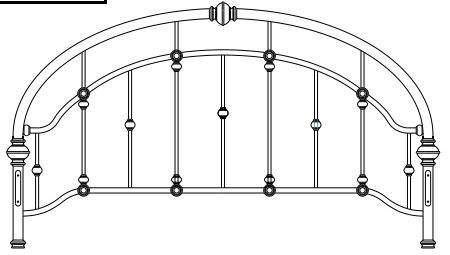
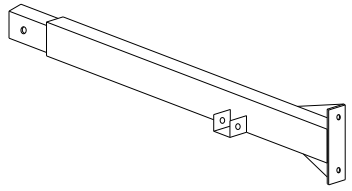
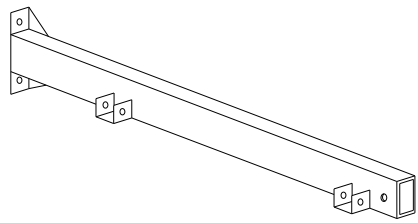
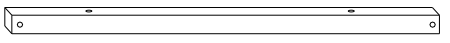



WARNING: Should this product become damaged, and/or components are broken or missing, DO NOT USE.

QUEEN METAL BED

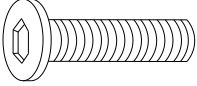
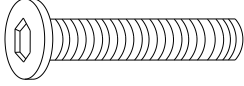
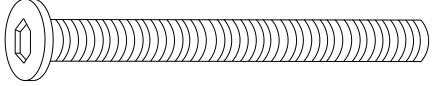
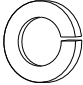
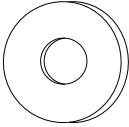


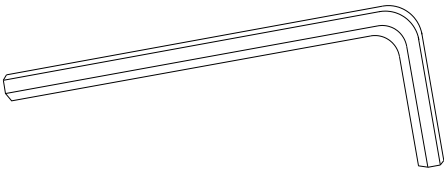
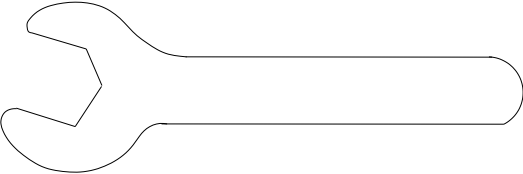
DA3285

Parts List

<p>A</p> 	<p>B</p> 	<p>C</p> 
<p>HEADBOARD TOP 1 PC</p>	<p>HEADBOARD BOTTOM 1 PC</p>	<p>FOOTBOARD 1 PC</p>
<p>D1</p> 	<p>D2</p> 	<p>E</p> 
<p>SIDE RAIL (WITH 1 BRACKET) 2 PCS</p>	<p>SIDE RAIL (WITH 2 BRACKETS) 2 PCS</p>	<p>SLAT 3 PCS</p>
<p>F</p> 		
<p>SUPPORT LEG 6 PCS</p>		

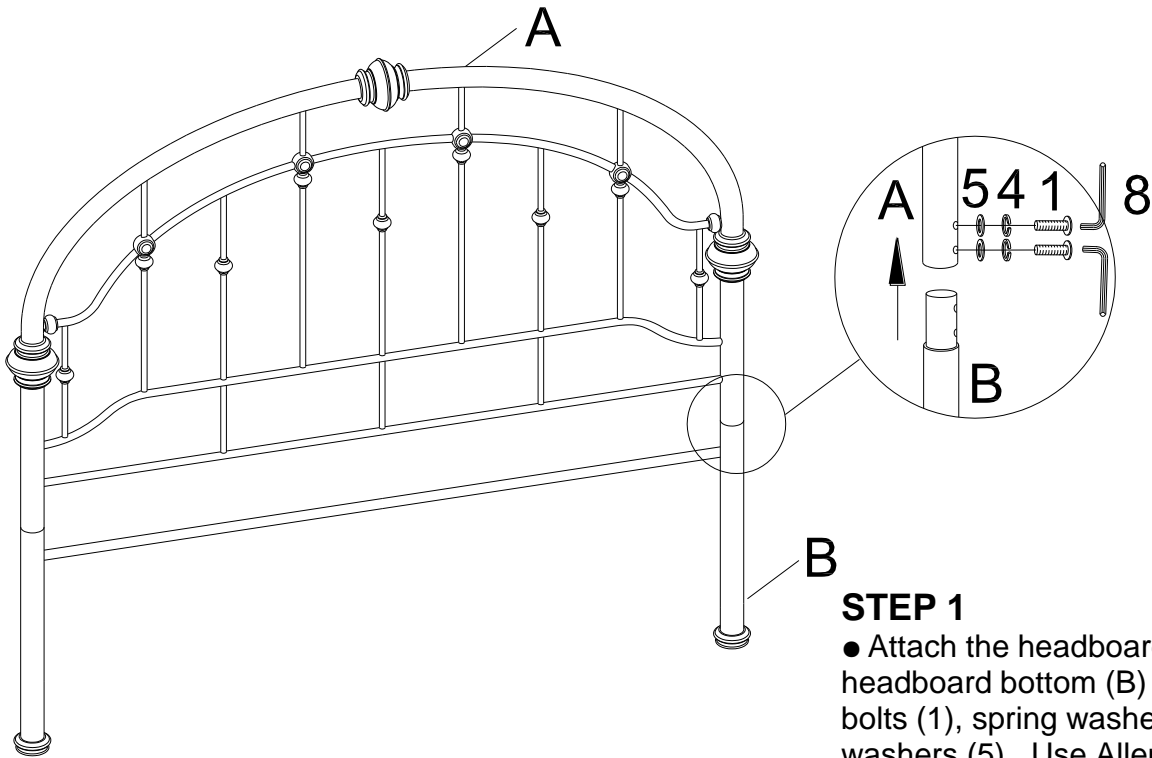
QUEEN METAL BED DA3285

Hardware List

1	 <p>M8 x 19mm</p>	2  <p>M8 x 25mm</p>	3  <p>M8 x 51mm</p>		
HEX SOCKET HEAD BOLT 10 PCS		HEX SOCKET HEAD BOLT 8 PCS		HEX SOCKET HEAD BOLT 12 PCS	
4	 <p>Φ8.5mm</p>	5  <p>INSIDE DIAMETER: Φ8.5mm OUTSIDE DIAMETER: Φ16mm</p>	6  <p>INSIDE DIAMETER: Φ8.5 OUTSIDE DIAMETER: Φ22mm</p>		
SPRING WASHER 24 PCS		METAL FLAT WASHER 24 PCS		RUBBER FLAT WASHER 8 PCS	
7	8	9			
 <p>OUTSIDE DIAMETER: Φ13mm</p>	 <p>Φ5mm</p>	 <p>Φ13mm</p>			
NUT 6 PCS	ALLEN KEY 1 PC	ALLEN WRENCH 1 PC			

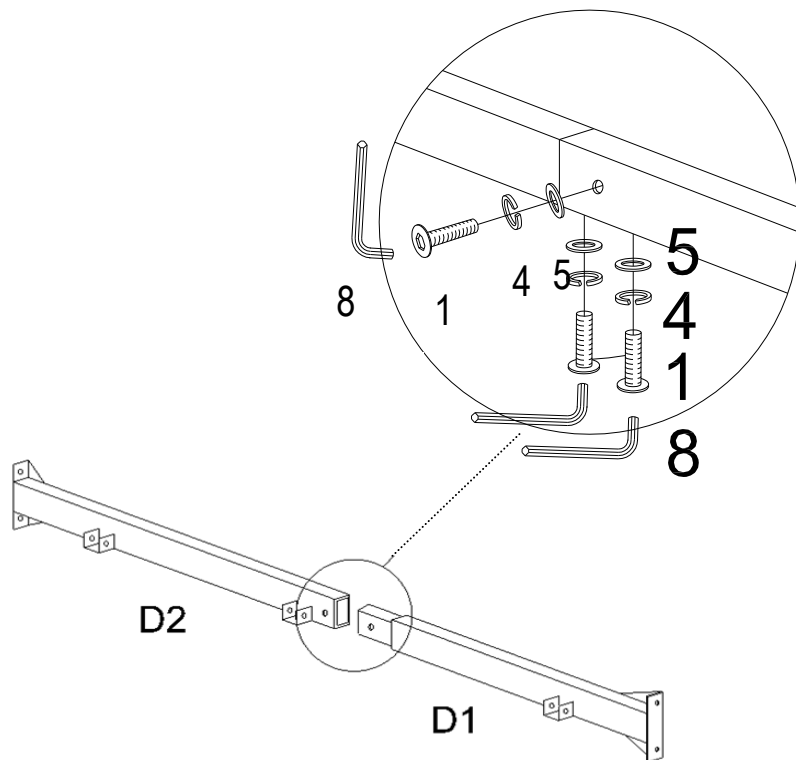
QUEEN METAL BED

DA3285



STEP 1

- Attach the headboard top (A) to headboard bottom (B) with hex socket head bolts (1), spring washers (4) and metal flat washers (5). Use Allen Key (8) to tighten bolts.

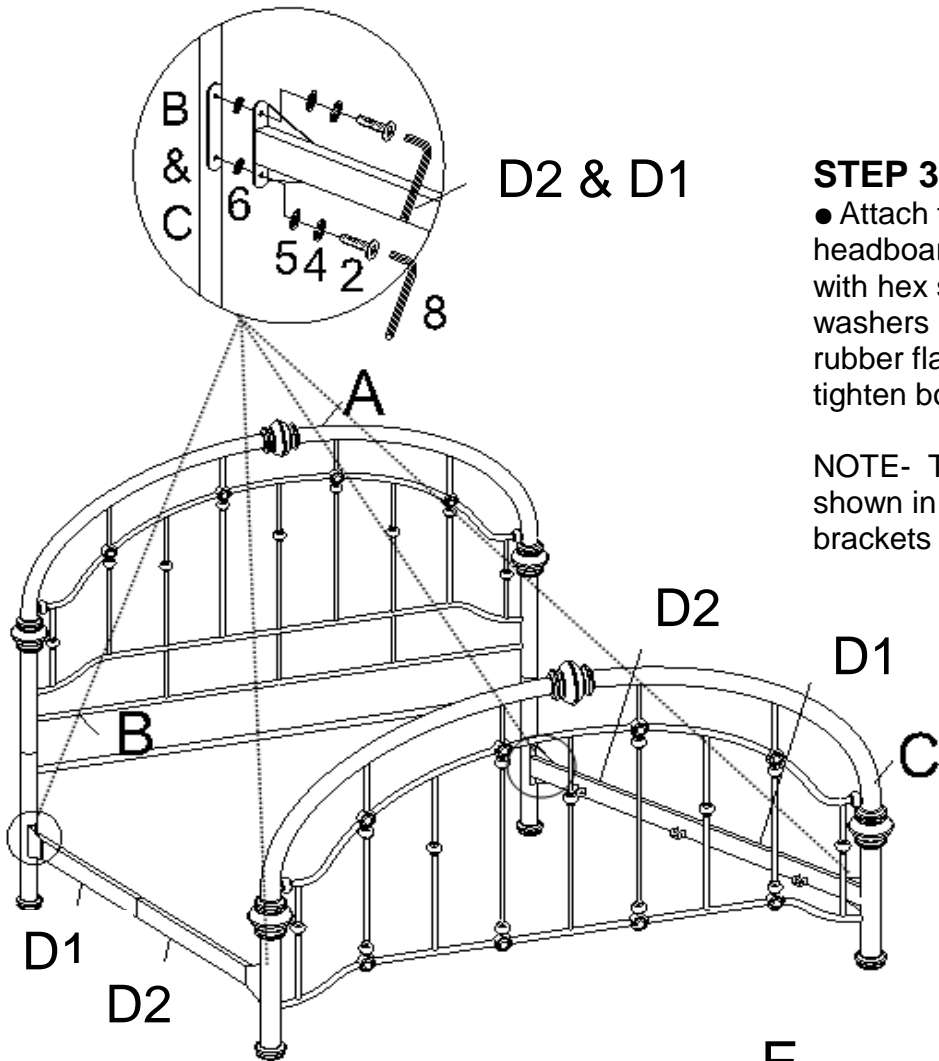


STEP 2

- Attach the side rail (D1) to side rail (D2) with hex socket head bolts (1), spring washers (4) and metal flat washers (5). Use Allen Key (8) to tighten bolts.

QUEEN METAL BED

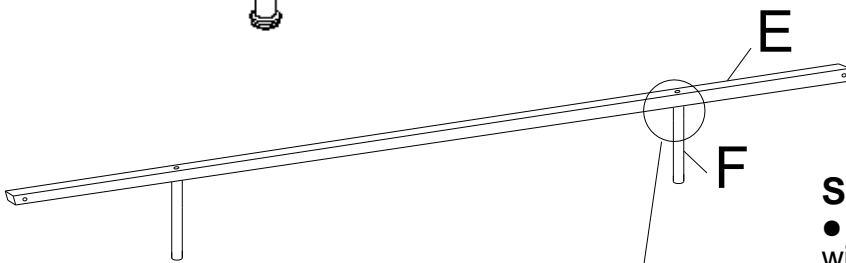
DA3285



STEP 3

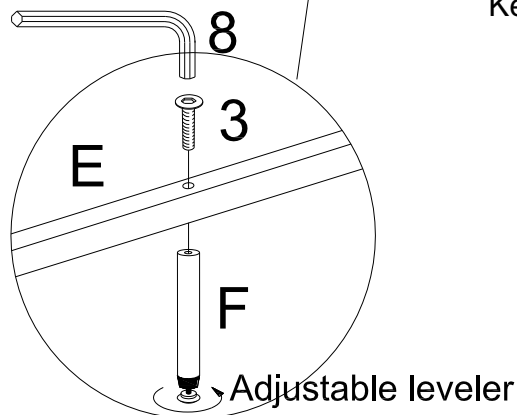
● Attach the assembled side rails to the headboard bottom (B) and footboard (C) with hex socket head bolts (2), spring washers (4), metal flat washers (5) and rubber flat washers (6). Use Allen Key (8) to tighten bolts.

NOTE- The side rails must be attached as shown in the below photo so that the metal brackets face inside the bed frame



STEP 4

● Attach the support legs (F) to the slats (E) with hex socket head bolts (3). Use Allen Key (8) to tighten bolts.



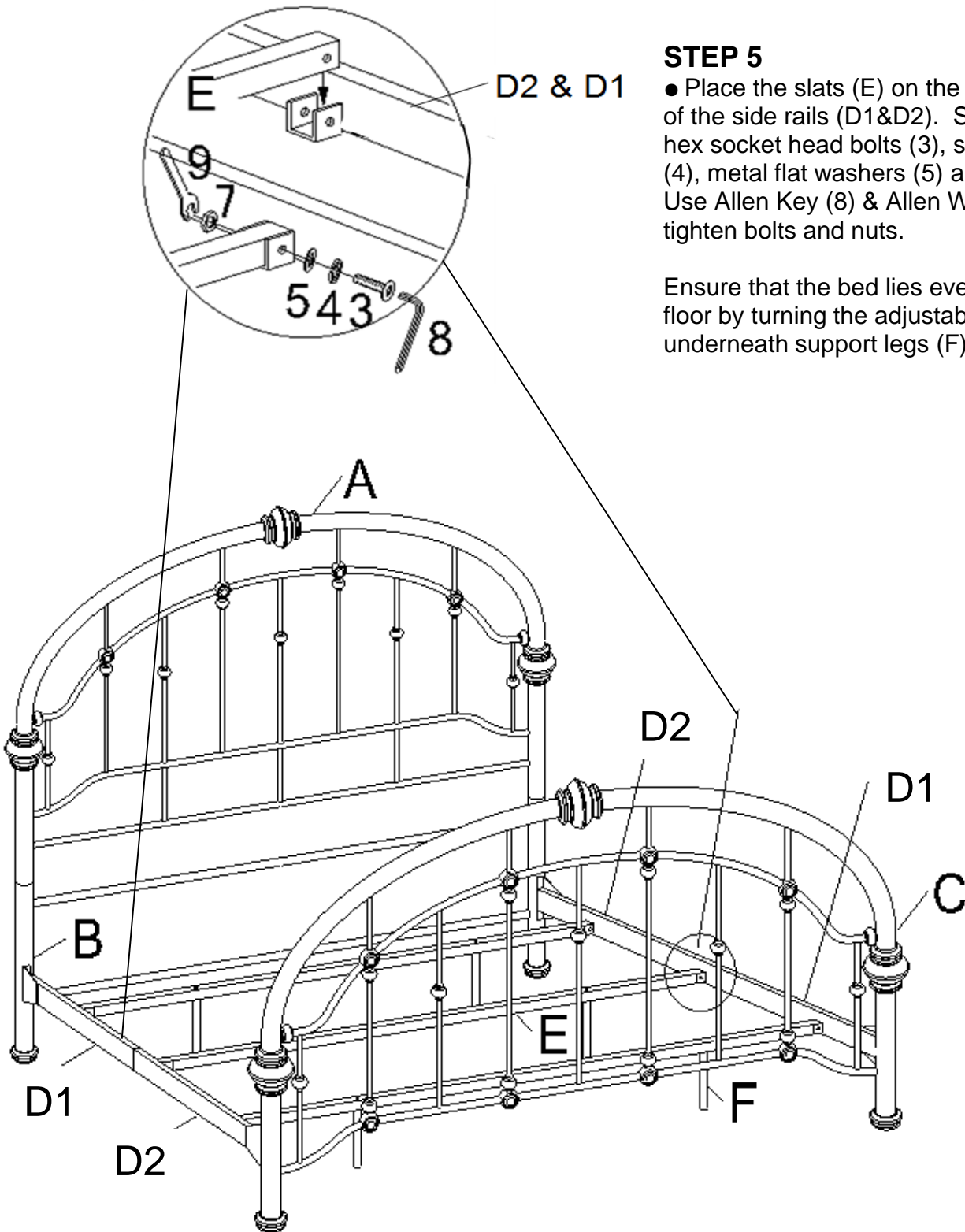
QUEEN METAL BED

DA3285

STEP 5

● Place the slats (E) on the metal brackets of the side rails (D1&D2). Secure using hex socket head bolts (3), spring washers (4), metal flat washers (5) and nuts (7). Use Allen Key (8) & Allen Wrench (9) to tighten bolts and nuts.

Ensure that the bed lies evenly on the floor by turning the adjustable levelers underneath support legs (F) clockwise.



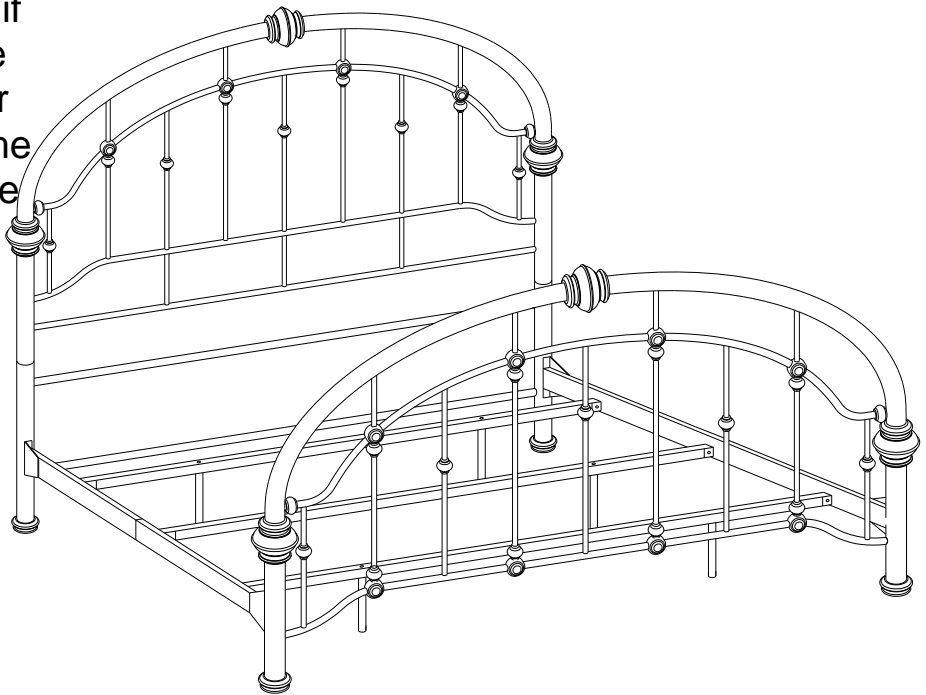
QUEEN METAL BED

DA3285



CAUTION: This unit is intended for use only with the products and/or maximum weights indicated. Use with other products and/or products heavier than the maximum weights indicated may result in instability or cause possible injury.

Dust this item regularly with a soft, lint-free cloth to prevent soil build up. Wipe with a soft, damp cloth if necessary. Do not use abrasives, cleaners, or polish on the metal frame as this may damage the finish.



Congratulations! You've finished assembling your queen metal bed.

DO NOT RETURN PRODUCT TO THE STORE.

If a part is missing or damaged, contact our customer service department. We will replace the part **FREE** of charge.



Tel #: 1-800-295-1980
E-Mail: das@dorel.com



Customer Service

PLEASE DO NOT RETURN THIS PRODUCT TO THE STORE

PLEASE CONTACT CUSTOMER SERVICE REPRESENTATIVES AT THE FOLLOWING NUMBERS SHOULD THERE BE ANY MISSING OR DEFECTIVE PART(S).

Customer Service Phone Number 1-800-295-1980

Email: das@dorel.com

Customer Service Fax Number 514-353-7819

Request Date:

Name:

Shipping Address:
Street & Number:
City & State:
Zip Code:

Day Time Phone Number:
(including area code)

Date & Place of Purchase:

Parts description and quantity: (Please list model number or SKN number)

Customer Service Representative Mailing Address:

Customer Service Department No. 413, 12345 Albert-Hudon Boulevard, Suite 100, Montreal, QC, Canada, H1G 3L1