

BUNK BED

Model No.:

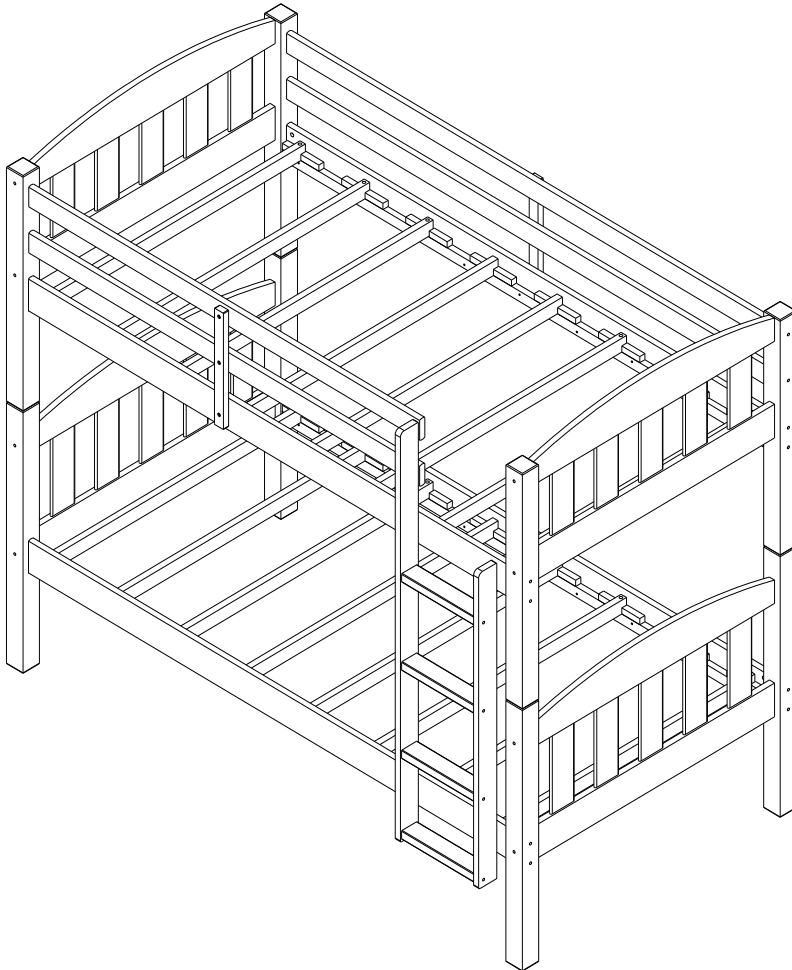
DA3797E - Espresso

DA3797P- Pine

UPC CODE:

0-65857-16117-5 (Espresso)

0-65857-16116-8 (Pine)



NOTE:

THIS INSTRUCTION BOOKLET
CONTAINS **IMPORTANT** SAFETY
INFORMATION. PLEASE READ AND
KEEP FOR FUTURE REFERENCE.

Lot number:

(TAKEN FROM CARTON)

Date of purchase:

____ / ____ / ____

DO NOT RETURN PRODUCT TO THE STORE.

If a part is missing or damaged, contact our customer service
department. We will replace the part **FREE** of charge.



Tel # : 1-800-295-1980
E-Mail: das@dorel.com
Fax #: 514-353-7819

CUSTOMER SERVICE

If you are missing parts or have any questions about this product, contact our customer service representative first!



CALL 1-800-295-1980

You can also order parts by writing to the address listed below. Please include the product model number, color and a detailed description of the part.

**Customer Service Department No. 413
12345 Albert-Hudon Boulevard, Suite 100
Montreal, Quebec
Canada, H1G 3L1**

E-MAIL: das@dorel.com



WARNING

- * **STRANGULATION HAZARD** - NEVER ATTACH OR HANG ITEMS TO ANY PART OF THE BUNK BED THAT ARE NOT DESIGNED FOR USE WITH THE BED; FOR EXAMPLE, BUT NOT LIMITED TO HOOKS, BELTS AND JUMP ROPES.
- * FOLLOW THE INFORMATION ON THE WARNINGS APPEARING ON THE UPPER BUNK END STRUCTURE AND ON THE CARTON. DO NOT REMOVE WARNING LABEL FROM BED.
- * THE MATTRESS PLATFORM IS DESIGNED TO SUPPORT A MATTRESS WITHOUT THE NEED FOR A POSTURE BOARD OR BOX SPRING.
- * ALWAYS USE THE RECOMMENDED SIZE MATTRESS OR MATTRESS SUPPORT, OR BOTH, TO HELP PREVENT THE LIKELIHOOD OF ENTRAPMENT OR FALLS.
- * **USE ONLY COIL SPRING MATTRESSES ON BOTH THE UPPER AND LOWER BUNKS. FAILURE TO DO SO CAN RESULT IN INJURY.**
- * USE ONLY MATTRESSES WHICH ARE 74"-75" LONG AND 37 1/2" - 38 1/2" WIDE ON UPPER AND ON LOWER BUNKS. ENSURE THICKNESS OF MATTRESS DOES NOT EXCEED 6". SURFACE OF MATTRESS MUST BE AT LEAST 5" (127MM) BELOW THE UPPER EDGE OF GUARDRAILS.
- * DO NOT ALLOW CHILDREN UNDER 6 YEARS OF AGE TO USE THE UPPER BUNK.
- * MAXIMUM WEIGHT CAPACITY: 165 LBS (75 KGS) PER LEVEL
- * ALWAYS USE GUARDRAILS ON BOTH LONG SIDES OF THE UPPER BUNK. IF THE BUNK BED WILL BE PLACED NEXT TO THE WALL, THE GUARDRAIL THAT RUNS THE FULL LENGTH OF THE BED SHOULD BE PLACED AGAINST THE WALL TO PREVENT ENTRAPMENT BETWEEN THE BED AND WALL (APPLICABLE FOR BUNK BEDS WITH FULL LENGTH GUARDRAILS ON ONE SIDE).
- * PERIODICALLY CHECK AND ENSURE THAT THE GUARDRAIL, LADDER AND OTHER COMPONENTS ARE IN THEIR PROPER POSITION, FREE FROM DAMAGE, AND THAT ALL CONNECTORS ARE TIGHT.
- * DO NOT ALLOW HORSEPLAY ON OR UNDER THE BED AND PROHIBIT JUMPING ON THE BED.
- * DO NOT USE SUBSTITUTE PARTS. CONTACT CUSTOMER SERVICE FOR REPLACEMENT PARTS.
- * USE OF A NIGHT LIGHT MAY PROVIDE ADDED SAFETY PRECAUTION FOR A CHILD USING THE UPPER BUNK.
- * THE USE OF WATER OR SLEEP FLOTATION MATTRESSES IS PROHIBITED.
- * ALWAYS USE THE LADDER FOR ENTERING AND LEAVING THE UPPER BUNK.
- * PROHIBIT MORE THAN ONE PERSON ON UPPER BUNK.
- * KEEP THESE INSTRUCTIONS FOR FUTURE USE.

NOTES

- * READ EACH STEP CAREFULLY BEFORE STARTING. IT IS VERY IMPORTANT THAT EACH STEP OF INSTRUCTION IS PERFORMED IN THE CORRECT ORDER. IF THESE STEPS ARE NOT FOLLOWED IN SEQUENCE, ASSEMBLY DIFFICULTIES WILL OCCUR AND CAN RESULT IN INJURY.
- * **CAUTION: ADULT ASSEMBLY REQUIRED**
- * MAKE SURE ALL PARTS ARE INCLUDED. WORK IN SPACIOUS AREA, PREFERABLY ON A SMOOTH SOFT SURFACE.
- * ASSEMBLY WILL REQUIRE TWO PEOPLE.
- * MOST BOARD PARTS ARE LABELLED OR STAMPED ON THE RAW EDGE.
- * PHILLIPS SCREWDRIVER (NOT INCLUDED) IS REQUIRED.
- * A RUBBER Mallet (NOT INCLUDED) IS RECOMMENDED TO FACILITATE ASSEMBLY.
- * BED IS DESIGNED FOR CHILDREN RANGING FROM 6 YEARS OF AGE TO YOUNG TEENAGERS.

CARE AND CLEANING

Dust regularly with a soft, dry cloth. We do not recommend the use of chemical cleaners or wax on our lacquered furniture as it may damage the finish. Keep solvents, alcohol, nail polish and polish removers away from your hardwood furniture surfaces.

MAINTENANCE

Check bolts/screws periodically and tighten them if necessary.

LIMITED WARRANTY

DOREL ASIA warrants its product to be free from defects in material and workmanship and agrees to remedy any such defect. This warranty covers 1 year from the date of original purchase. This warranty is valid only upon presentation of proof of purchase. This is solely limited to the repair or replacement of defective furniture components and no assembly labor is included. This warranty does not apply to any product which has been improperly assembled, subjected to misuse or abuse or which has been altered or repaired in any way. This warranty gives you specific legal rights and you may also have other rights which vary from Province to Province.

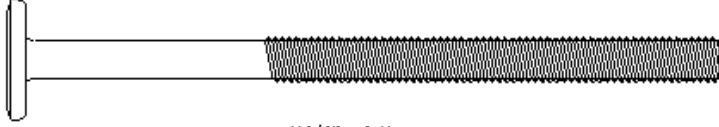
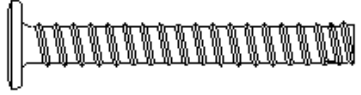
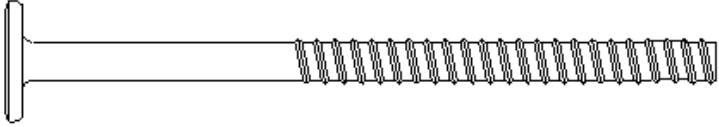


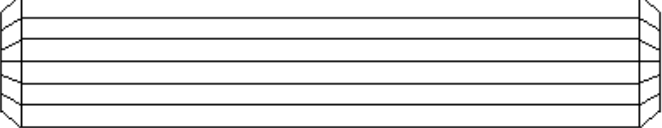
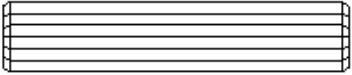
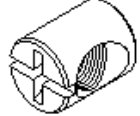

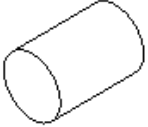


WARNING: Should this product become damaged, and/or components are broken or missing, DO NOT USE.

BUNK BED

DA3797E / DA3797P






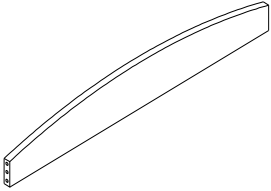
HARDWARE LIST

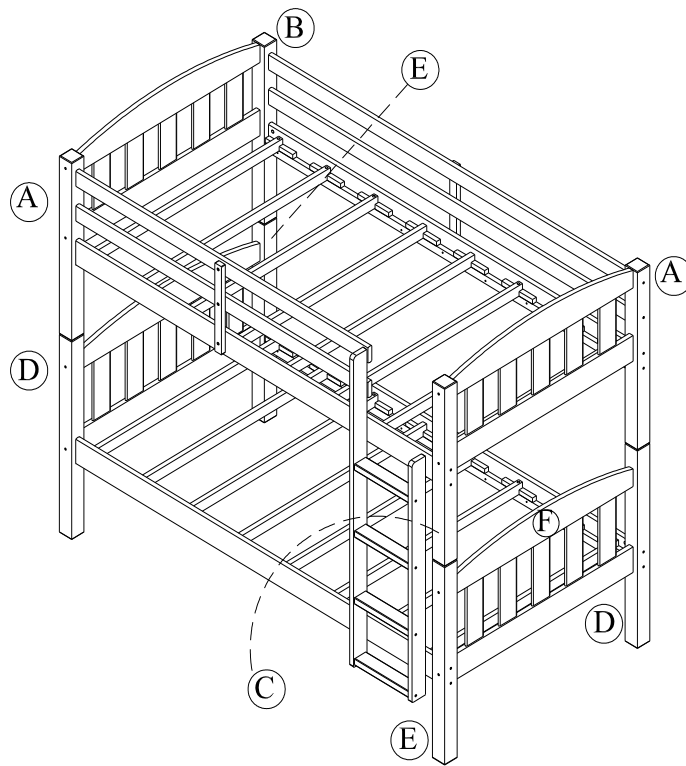
<p>1</p>  <p>Ø1/4" x 100mm</p>	<p>2</p>  <p>Ø6.5mm x 48mm</p>
<p>JOINT CONNECTOR (4mm HEX HEAD) 16 PCS</p>	<p>WOOD JOINT CONNECTOR (4mm HEX HEAD) 14 PCS</p>
<p>3</p>  <p>Ø6.5mm x 100mm</p>	<p>4</p>  <p>Ø4mm x 35mm</p>
<p>WOOD JOINT CONNECTOR (4mm HEX HEAD) 22 PCS</p>	<p>FLAT HEAD WOOD SCREW 24 PCS</p>
<p>5</p>  <p>Ø4mm x 30mm</p>	<p>6</p>  <p>Ø19mm x 95mm</p>
<p>FLAT HEAD WOOD SCREW 6 PCS</p>	<p>WOOD DOWEL 4 PCS</p>
<p>7</p>  <p>Ø10mm x 50mm</p>	<p>8</p>  <p>Ø11.8mm x 15mm</p>
<p>WOOD DOWEL 46 PCS</p>	<p>BARREL NUT 16 PCS</p>
<p>9</p> 	<p>10</p> 
<p>ALLEN KEY 1 PC</p>	<p>STOPPER 20 PCS</p>

BUNK BED

DA3797E / DA3797P

PARTS LIST


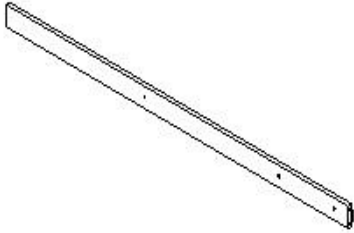
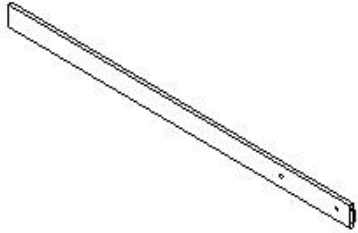
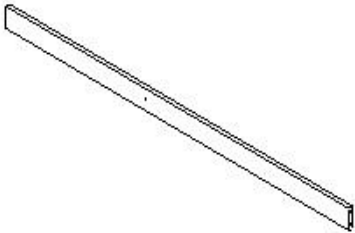
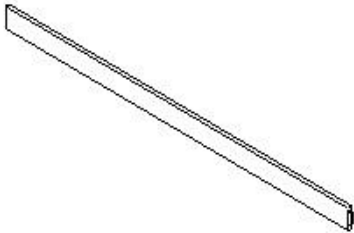
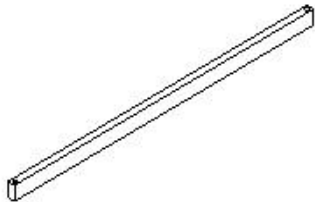
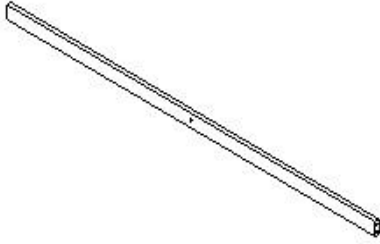
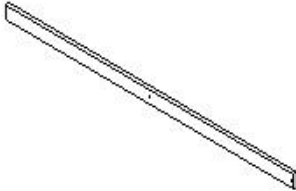
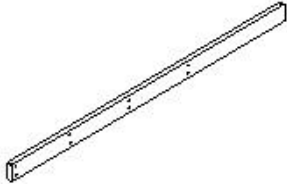

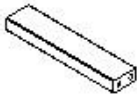


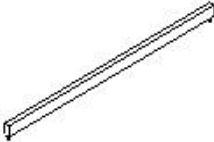

A 	B 	C 
TOP POST 2 PCS	TOP POST 1 PC	TOP POST 1 PC
D 	E 	F 
BOTTOM POST 2 PCS	BOTTOM POST 2 PCS	HEADBOARD TOP CROSS 4 PCS



BUNK BED

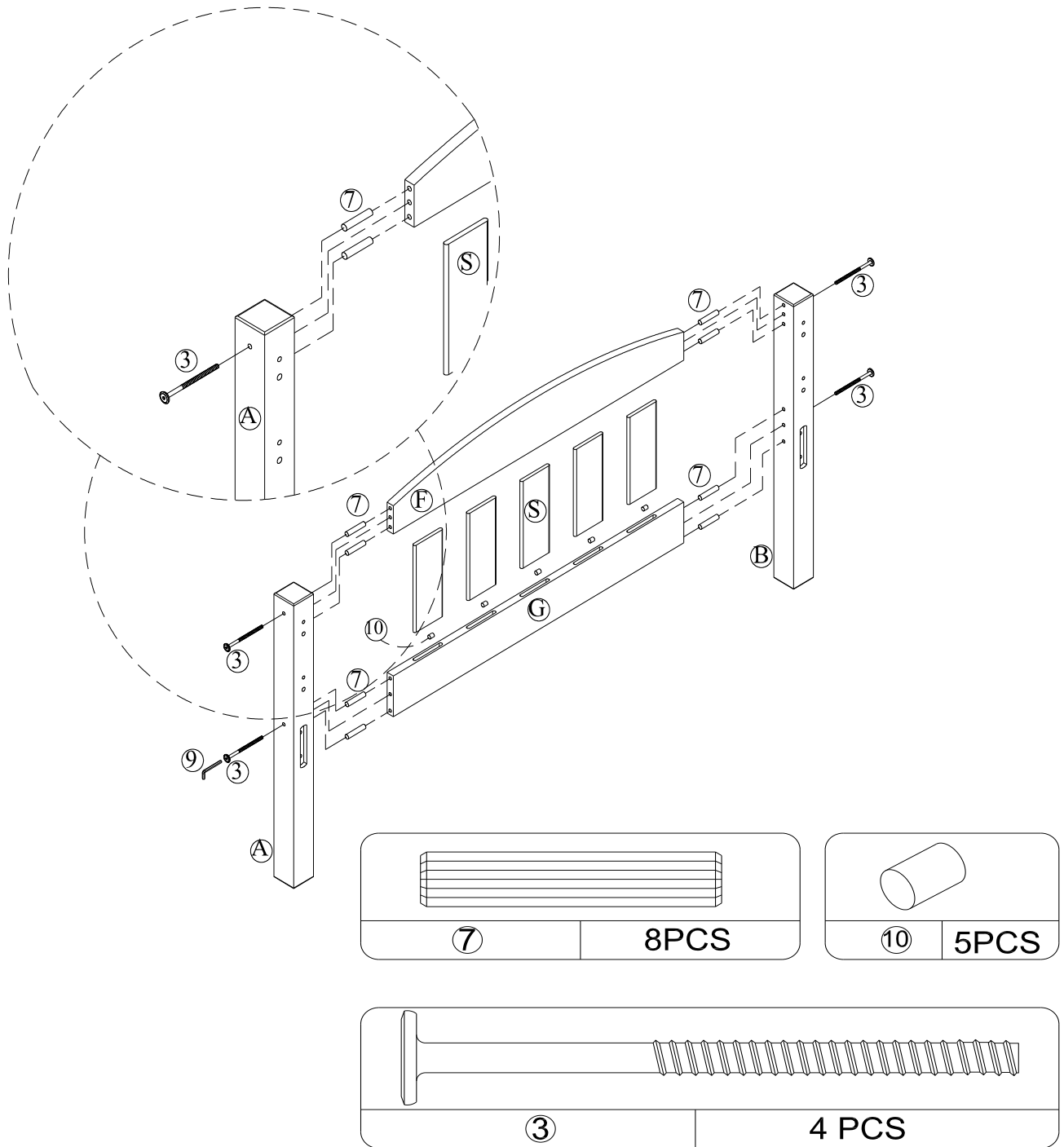
DA3797E / DA3797P

PARTS LIST

<p>G</p> 	<p>H</p> 	<p>I</p> 
<p>HEADBOARD BOTTOM CROSS 4 PCS</p>	<p>TOP SIDE RAIL (WITH 3 HOLES) 1 PC</p>	<p>BOTTOM SIDE RAIL (WITH 2 HOLES) 1 PC</p>
<p>J</p> 	<p>K</p> 	<p>L</p> 
<p>TOP SIDE RAIL (WITH 1 HOLE) 1 PC</p>	<p>BOTTOM SIDE RAIL (WITH NO HOLE) 1 PC</p>	<p>SLAT 12 PCS</p>
<p>M</p> 	<p>N</p> 	<p>O</p> 
<p>LONG GUARDRAIL 2 PCS</p>	<p>SHORT GUARDRAIL 2 PCS</p>	<p>LONG LADDER END 1 PC</p>
<p>P</p> 	<p>Q</p> 	<p>R</p> 
<p>SHORT LADDER END 1 PC</p>	<p>LADDER STEP 4 PCS</p>	<p>GUARDRAIL LEG 2 PCS</p>
<p>S</p> 	<p>T</p> 	<p>U</p> 
<p>TOP HEADBOARD SLAT 10 PCS</p>	<p>SLAT 4 PCS</p>	<p>BOTTOM HEADBOARD SLAT 10 PCS</p>

BUNK BED

DA3797E / DA3797P



STEP 1

One of the headboard top crosses (F) has a label on it, do not use it in this step.

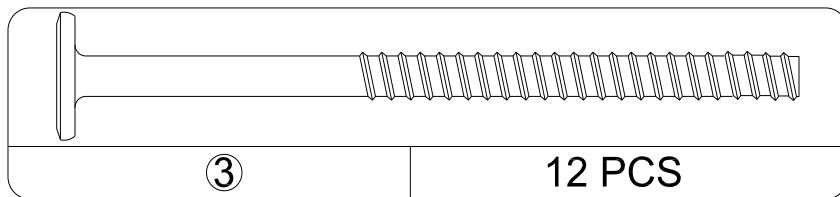
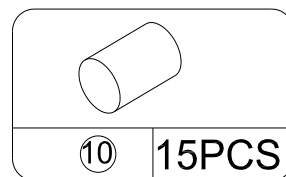
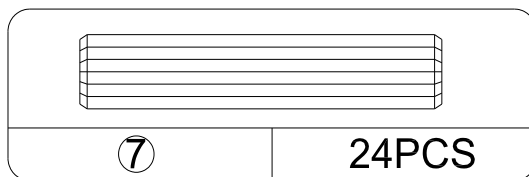
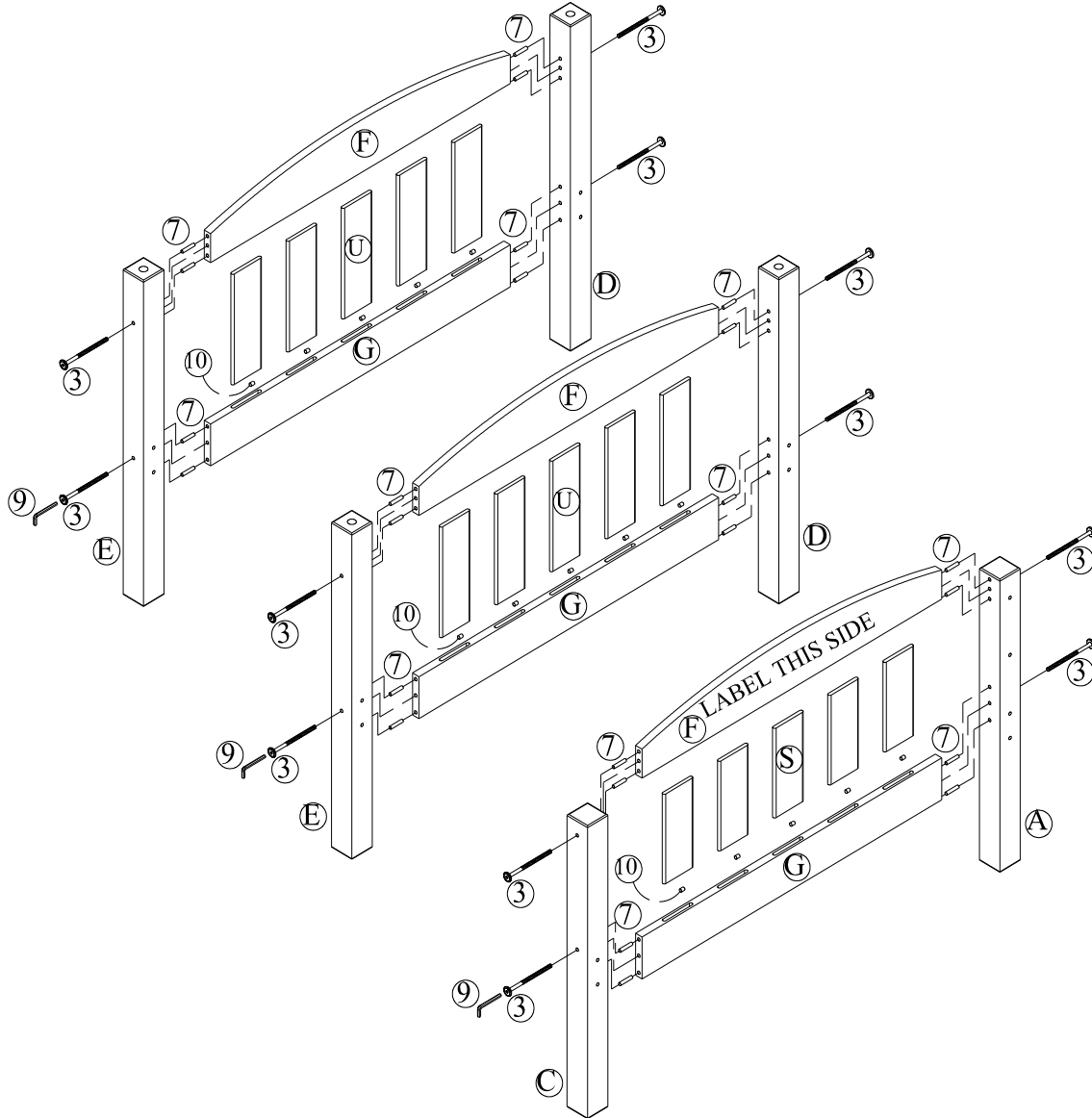
Insert stoppers (10) and top headboard slats (S) into the headboard bottom cross (G) and push down until firmly in place. Slide the headboard top cross (F) onto the top headboard slats (S). Insert wood dowels (7) into ends of headboard top cross (F) and headboard bottom cross (G).

Attach top posts (A and B) using wood joint connectors (3) as shown.

NOTE: Headboard top cross (F) and headboard bottom cross (G) may require that they be pulled closer together or further apart in order to allow wood dowels (7) to align with holes in top posts (A and B).

BUNK BED

DA3797E / DA3797P



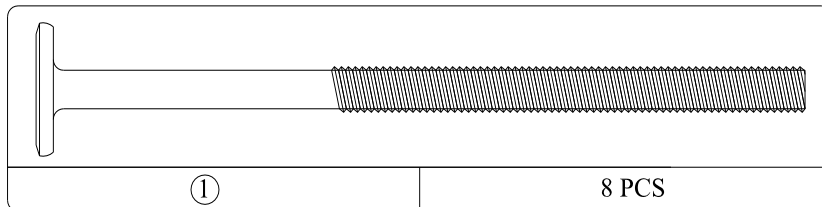
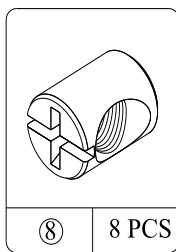
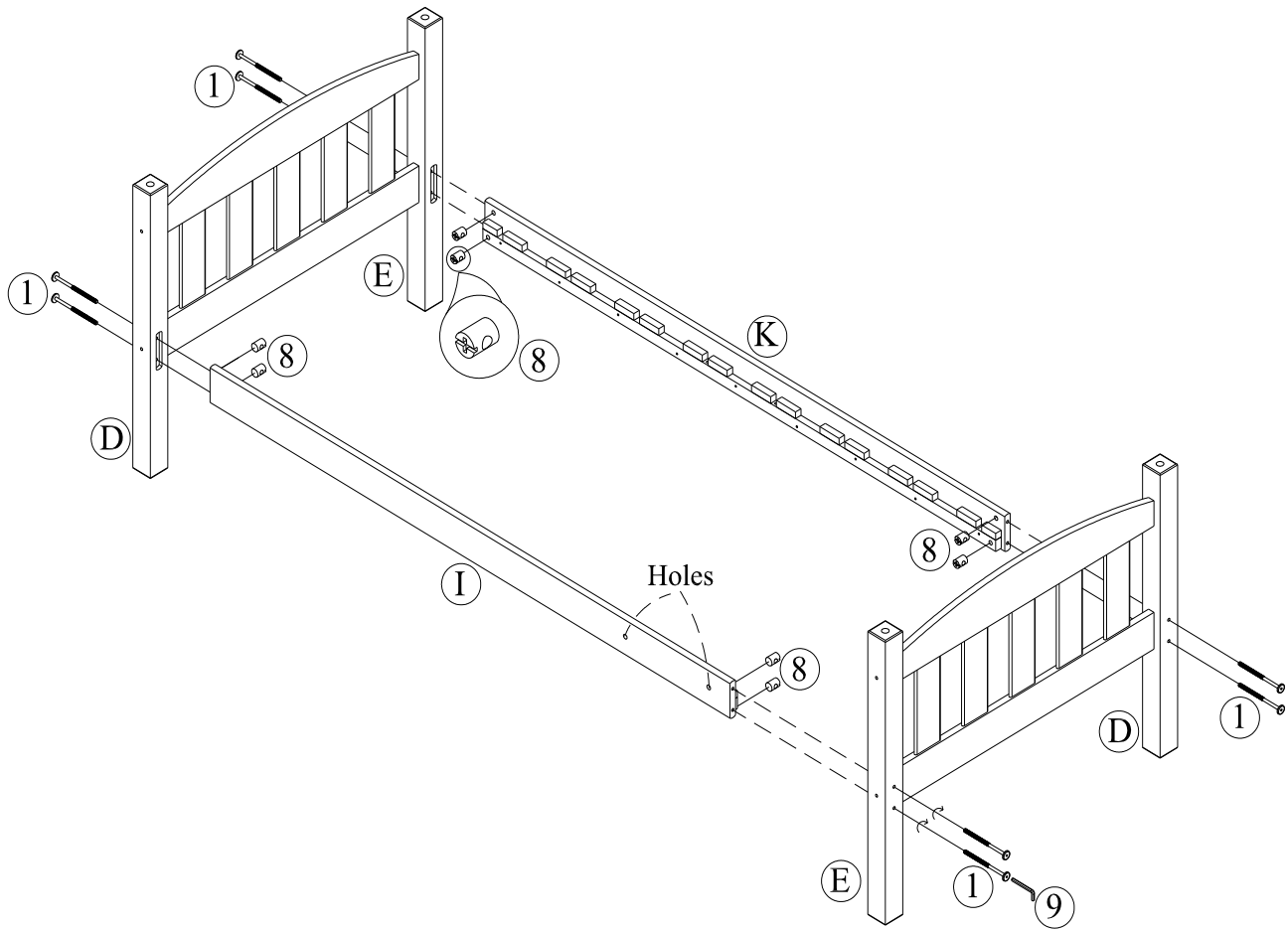
STEP 2

Repeat the previous step to assemble the remaining three sets of headboards. Be sure to pair the bottom posts (D) and (E) for one pair; (E) and (D) for another; and the top posts (C) and (A) for the last pair.

NOTE: Be sure to use headboard top cross (F) with label attached to it between top posts (A) and (C). See illustration for label orientation.

BUNK BED

DA3797E / DA3797P



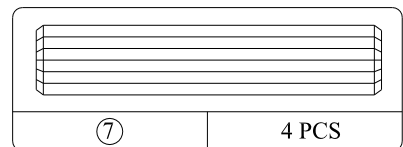
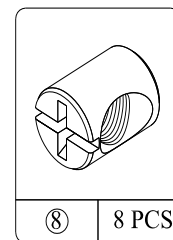
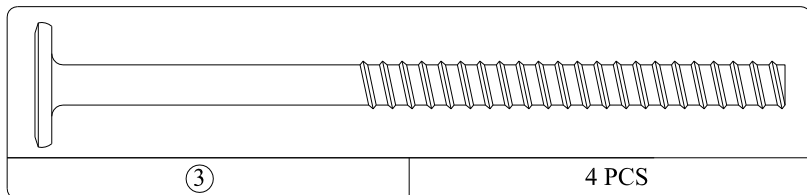
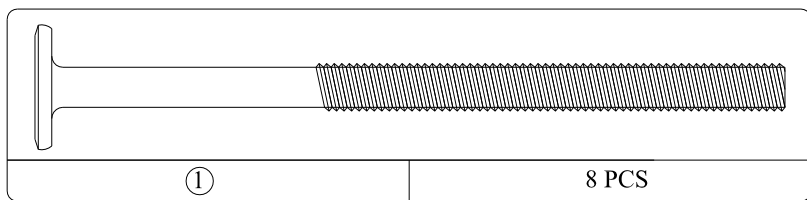
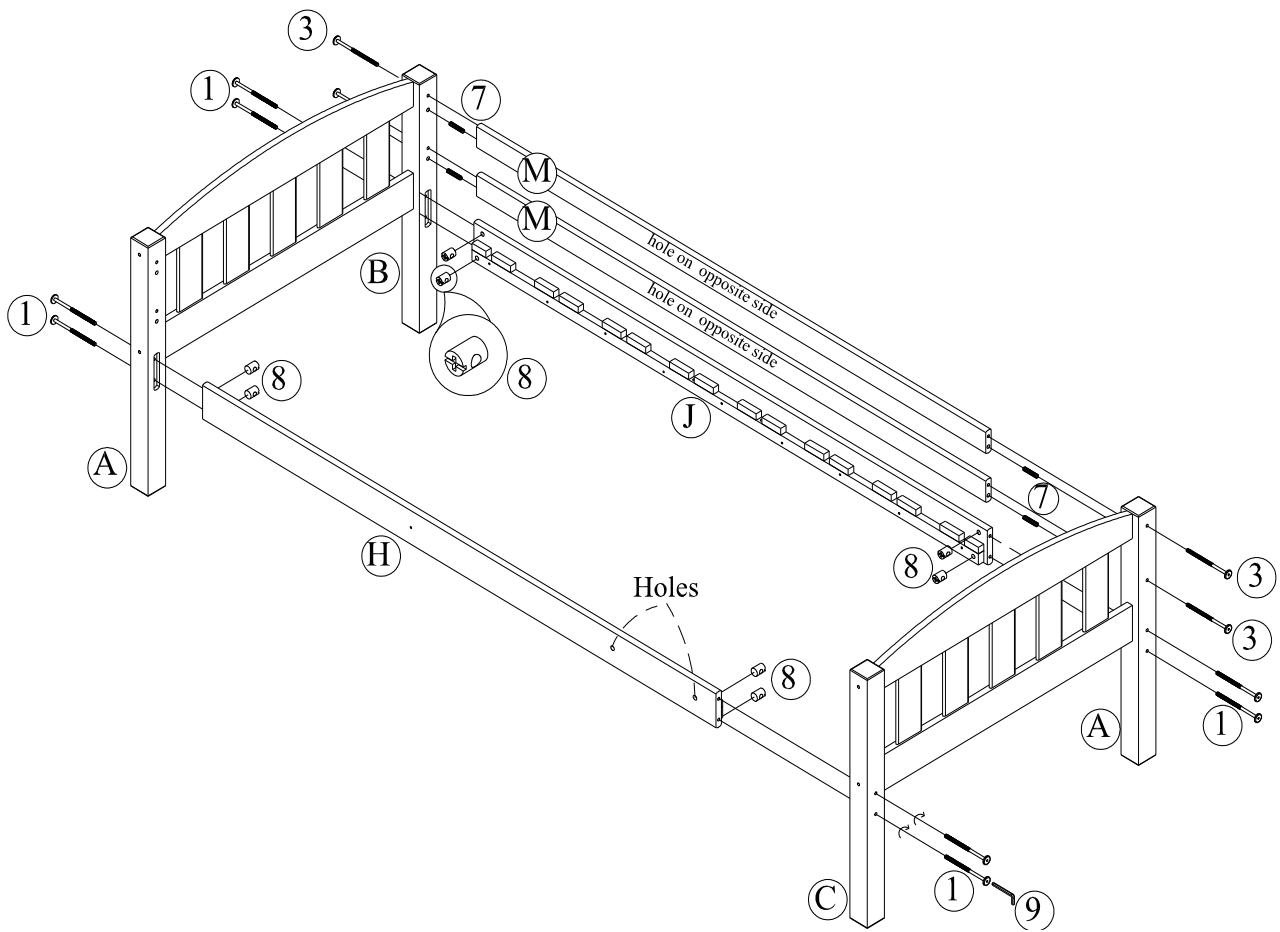
STEP 3

Attach the two headboards with bottom posts (D and E) to bottom side rails (I and K) using joint connectors (1) and barrel nuts (8) as shown.

NOTE: This is the lower bunk.

BUNK BED

DA3797E / DA3797P

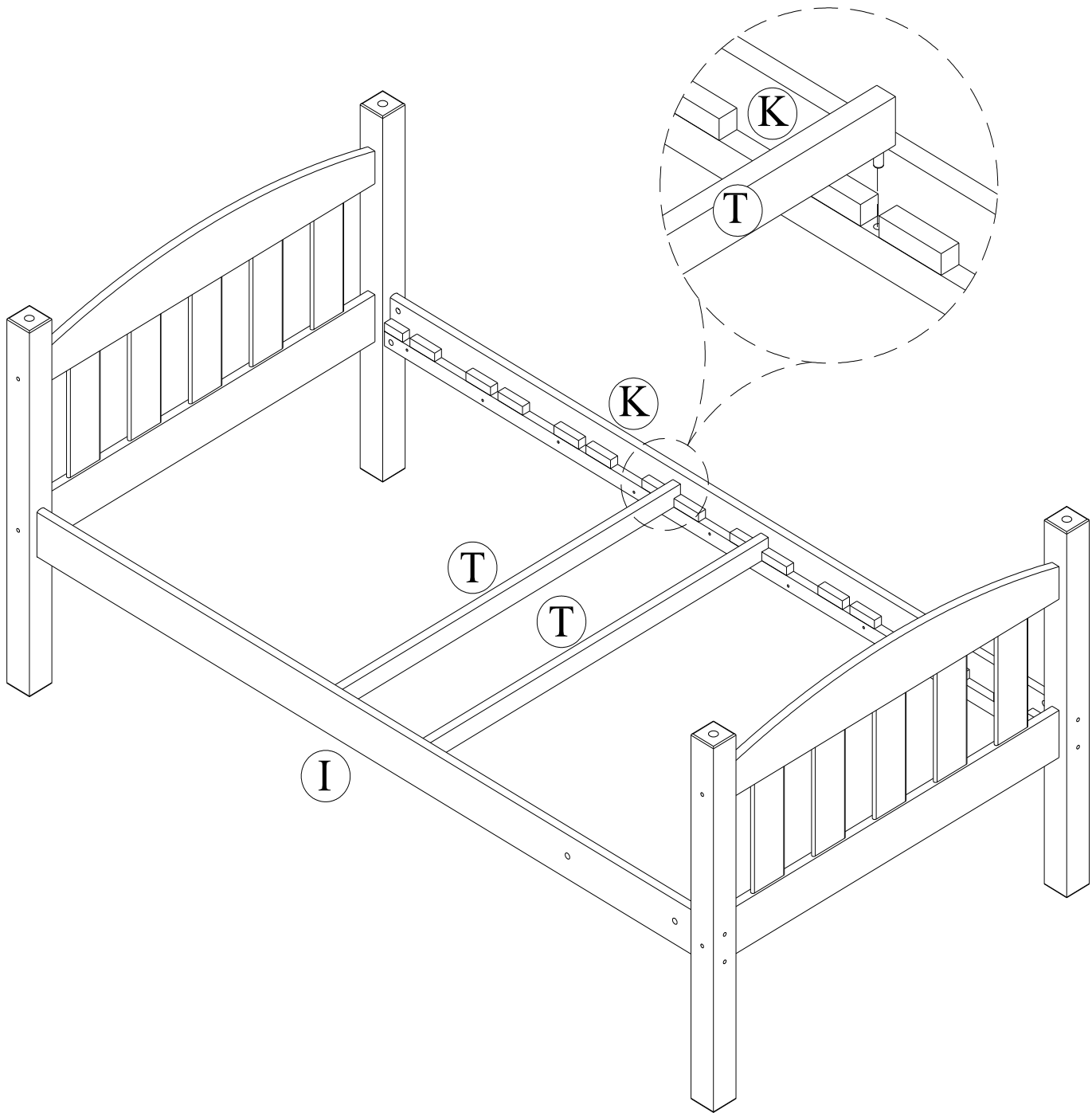


STEP 4

Insert a wood dowel (7) into each end of the long guardrails (M). Attach two long guardrails (M) and two top side rails (H and J) to top posts (A and B) & (A and C) as shown. Fasten top side rails (H and J) with joint connectors (1) and barrel nuts (8). Fasten long guardrails (M) with wood joint connectors (3). Use Allen key (9) to tighten all joint connectors.

NOTE: This is the upper bunk.

BUNK BED
DA3797E / DA3797P



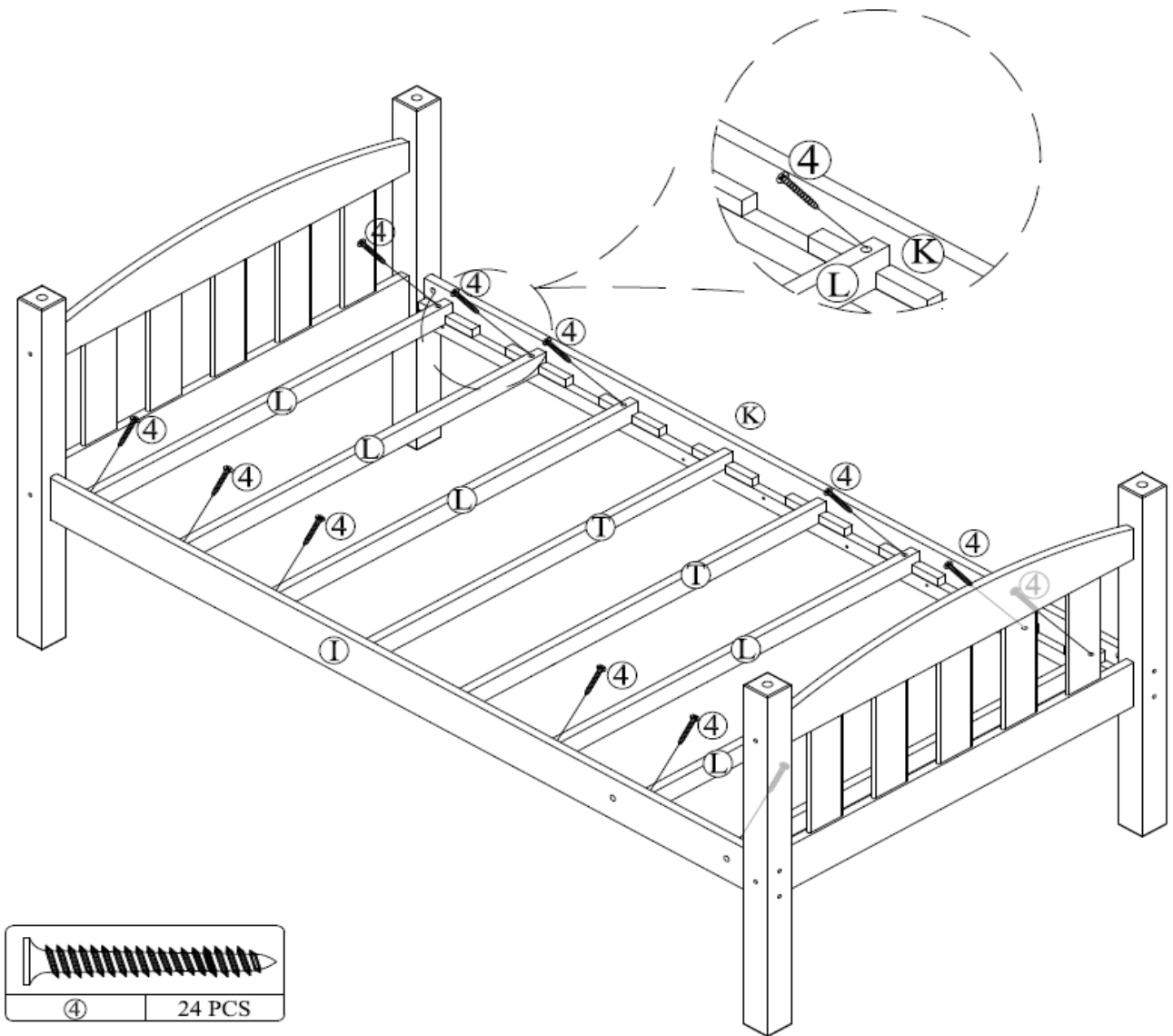
STEP 5

Insert two slats (T) into the center slots of the bottom side rails (I and K) of the bottom bunk as shown.

NOTE: Once inserted, there should be three empty spaces left on each side.

BUNK BED

DA3797E / DA3797P



STEP 6

Insert slats (L) into remaining holes on the bottom side rails (I and K) on the lower bunk.
Secure slats (L) to the bottom side rails (I and K) with flat head wood screws (4) using a Phillips head screw driver (not included).

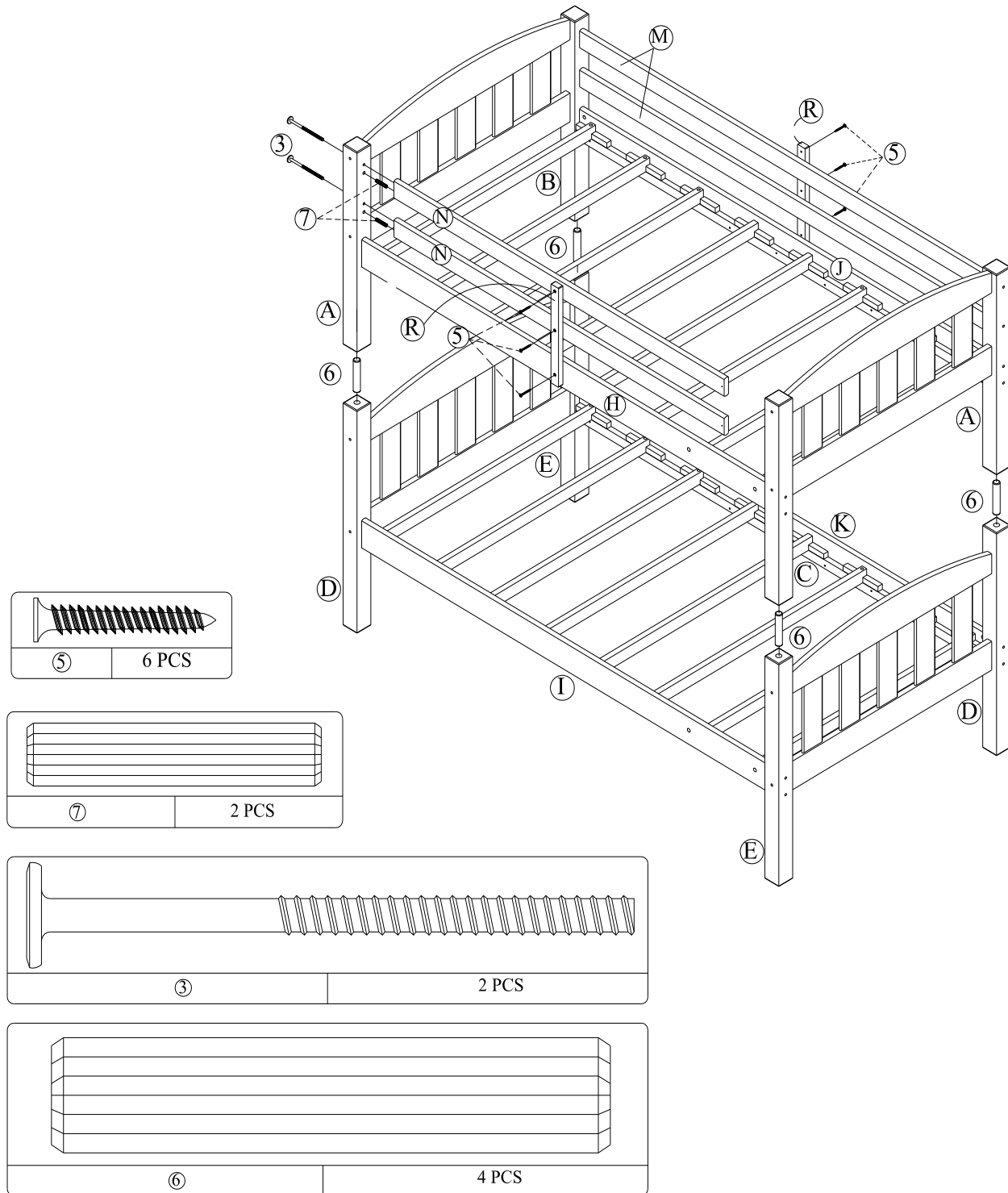
Repeat step 5 and 6 to attach slats (T and L) to the upper bunk.

NOTE: Slats (T and L) will be placed between two wooden blocks.

NOTE: If you notice that any slats (L) are not perfectly flat, be sure to assemble them so that slat (L) curves up in the middle and down at the ends.

BUNK BED

DA3797E / DA3797P



STEP 7

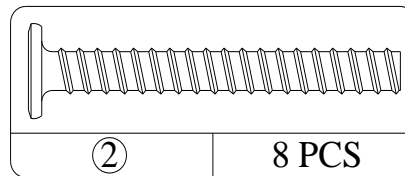
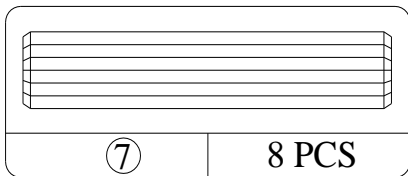
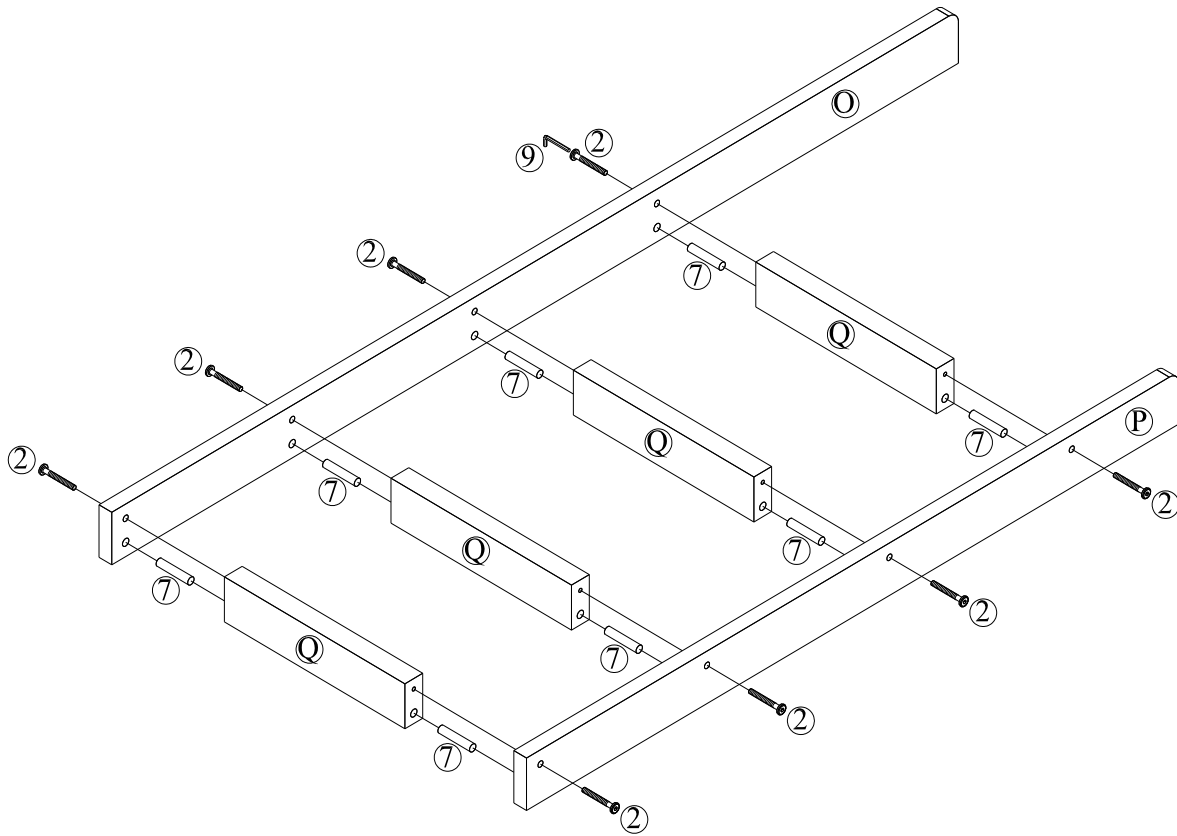
Place four wood dowels (6) into the holes in the bottom posts (D and E). Stack the top bunk onto the bottom bunk with the help of another person.

Insert wood dowels (7) in the ends of short guardrails (N). Attach short guardrails (N) to top post (A) with wood joint connectors (3). Attach the guardrail leg (R) to the short guardrails (N) and top side rail (H) with flat head wood screws (5).

Attach the other guardrail leg (R) to long guard rails (M) and top side rail (J) with flat head wood screws (5). Use a Phillips head screwdriver (not included) to install screws (5).

BUNK BED

DA3797E / DA3797P

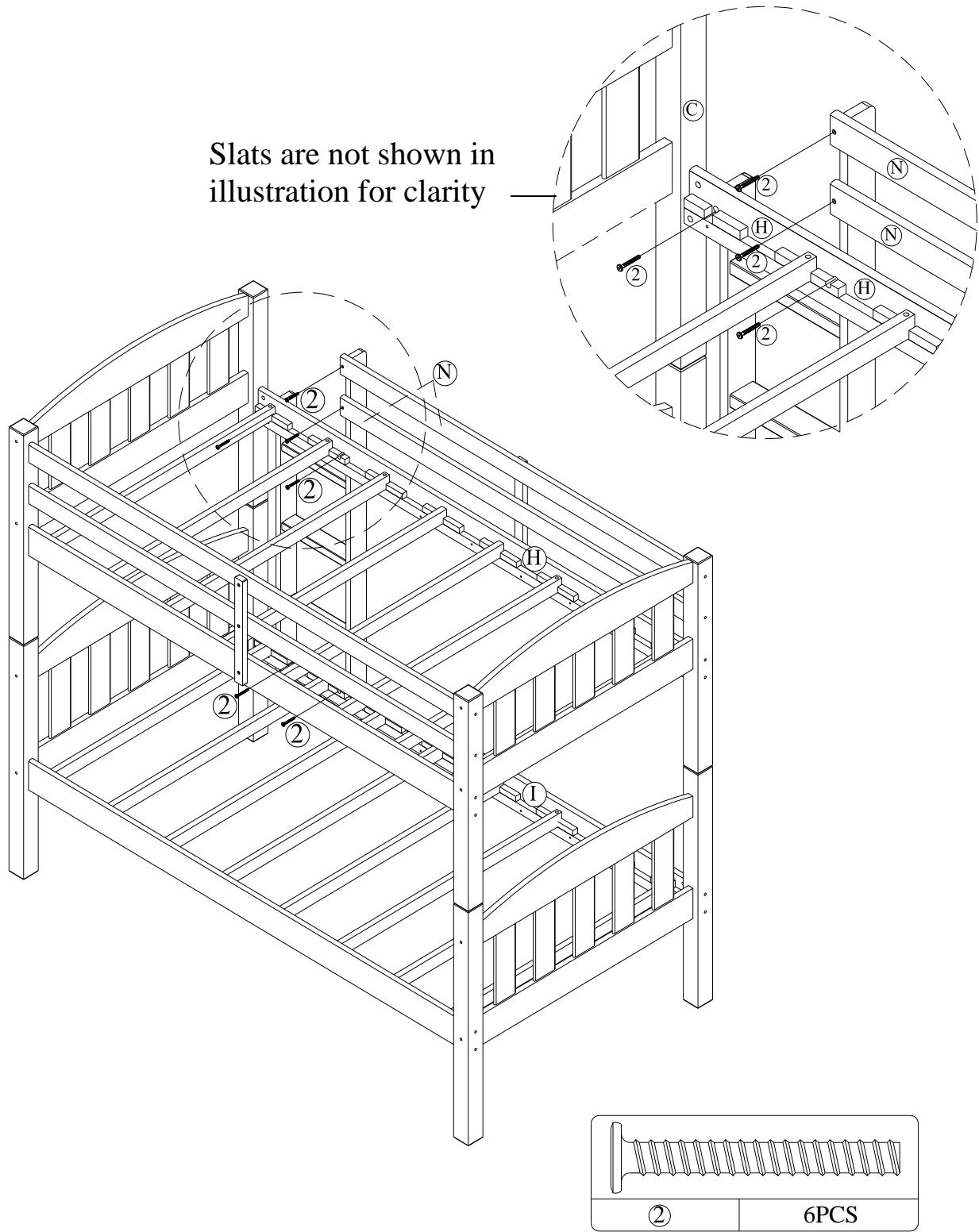


STEP 8

To assemble the ladder, insert wood dowels (7) into the end of the ladder steps (Q). Attach long ladder end (O) and short ladder end (P) to ladder steps (Q) with wood joint connectors (2) and Allen key (9).

BUNK BED

DA3797E / DA3797P



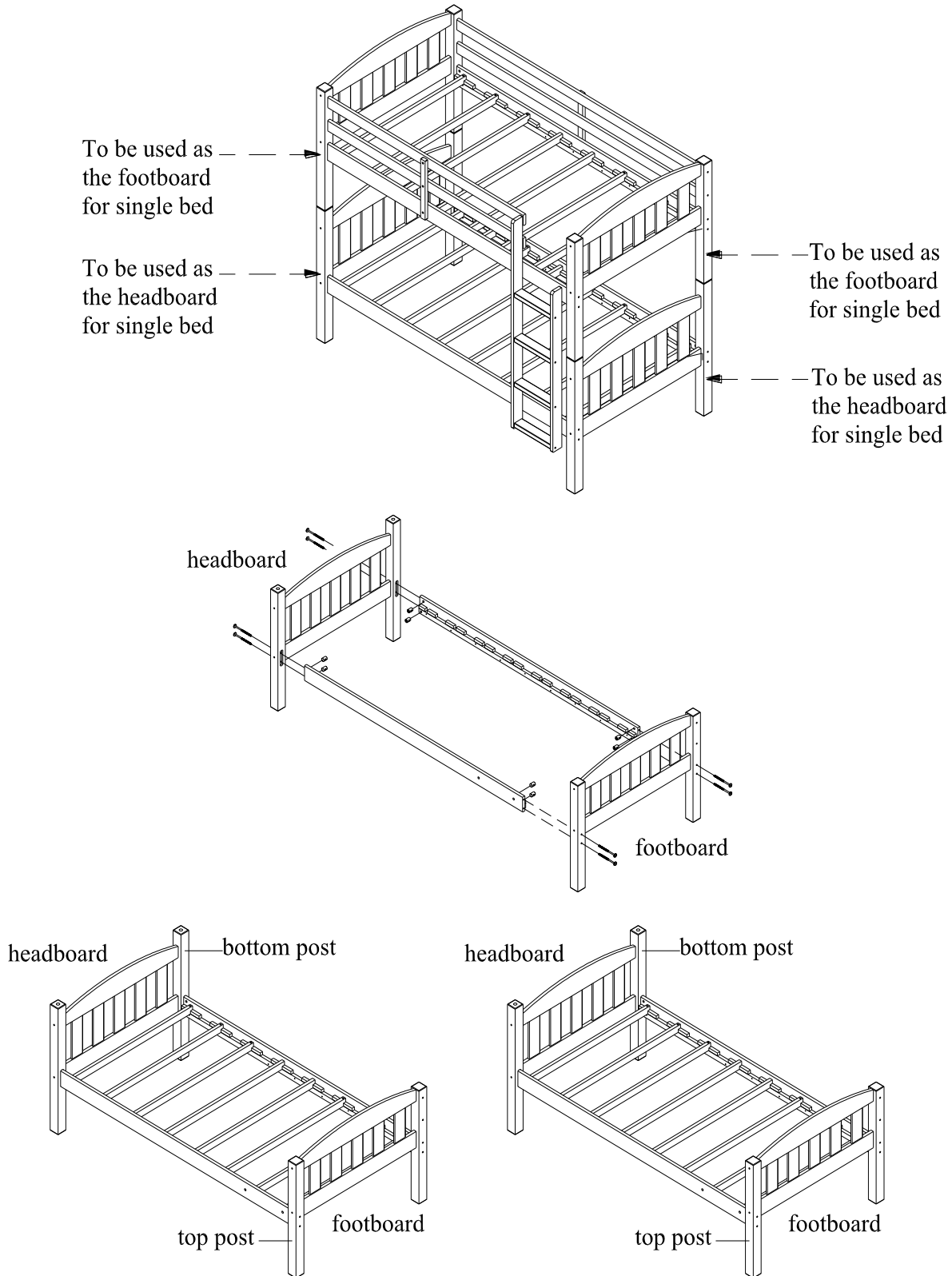
STEP 9

Attach the ladder to the short guardrails (N), the top side rail (H) and bottom side rail (I) with wood joint connectors (2) as shown.

NOTE: If slat (L) is covering the ladder mounting holes, remove slat (L) and replace after the ladder is attached.

CONVERTING THE BUNK BED INTO TWO SINGLE BEDS

DA3797E / DA3797P



Remove the ladder and all the guardrails.

With the help of another person, remove the top bunk from the lower bunk.

Disassemble the side rails from all headboards (top and lower bunks).

Re-assemble the headboards (with tall posts) and footboards (with short posts) to side rails.

NOTE: Switching the headboards will allow the two single beds to be identical (the headboards will have taller posts and the footboards will have the shorter posts).

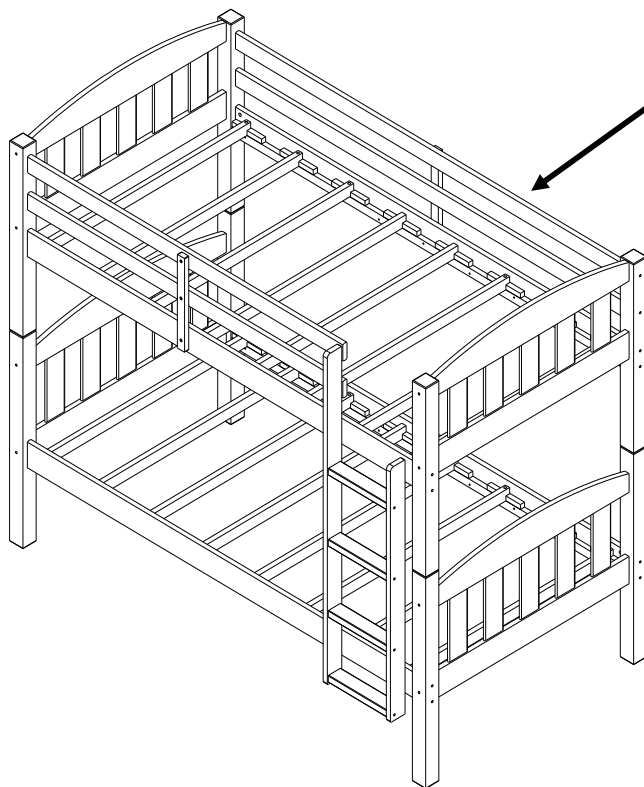
BUNK BED

DA3797E / DA3797P



CAUTION: This unit is intended for use only with the products and/or maximum weights indicated. Use with other products and/or products heavier than the maximum weights indicated may result in instability or cause possible injury.

DO NOT ALLOW HORSEPLAY ON OR UNDER THE BED AND PROHIBIT JUMPING ON THE BED.



DO NOT ALLOW CHILDREN UNDER 6 YEARS OF AGE TO USE THE UPPER BUNK. BED IS DESIGNED FOR CHILDREN RANGING FROM 6 YEARS OF AGE TO YOUNG TEENAGERS.

MAXIMUM WEIGHT CAPACITY: 165 LBS (75 KGS) PER LEVEL.

USE ONLY MATTRESSES WHICH ARE 74"-75" LONG AND 37 1/2" - 38 1/2" WIDE ON UPPER AND ON LOWER BUNKS. ENSURE THICKNESS OF MATTRESS DOES NOT EXCEED 6".

USE ONLY COIL SPRING MATTRESSES ON BOTH THE UPPER AND LOWER BUNKS. FAILURE TO DO SO CAN RESULT IN INJURY.

DO NOT RETURN PRODUCT TO THE STORE.

If a part is missing or damaged, contact our customer service department. We will replace the part **FREE** of charge.



Tel # : 1-800-295-1980
E-Mail: das@dorel.com
Fax #: 514-353-7819

Customer Service

PLEASE DO NOT RETURN THIS PRODUCT TO THE STORE

PLEASE CONTACT CUSTOMER SERVICE REPRESENTATIVES AT THE FOLLOWING NUMBERS SHOULD THERE BE ANY MISSING OR DEFECTIVE PART(S).

Customer Service Phone Number 1-800-295-1980

Email: das@dorel.com

Customer Service Fax Number 514-353-7819

Request Date:

Name:

Shipping Address:

Street & Number:

City & Province:

Postal Code:

Day Time Phone Number:

(including area code)

Date & Place of Purchase:

Part(s) description and quantity: (Please be sure to list model number or SKU number)

Customer Service Representative Mailing Address:

Customer Service Department No. 413, 12345 Albert-Hudon Boulevard, Suite 100, Montreal, QC, Canada, H1G 3L1