

DOREL ASIA

3-PC COUNTER HEIGHT DINING SET

Model No:

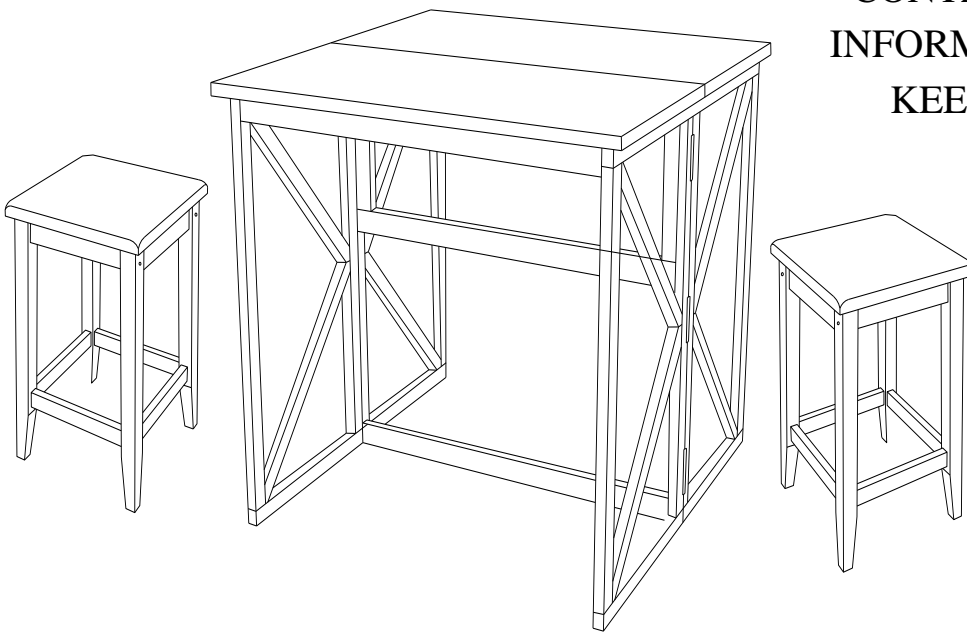
DA3646

UPC CODE:

0-65857-16289-9

NOTE:

THIS INSTRUCTION BOOKLET
CONTAINS **IMPORTANT** SAFETY
INFORMATION. PLEASE READ AND
KEEP FOR FUTURE REFERENCE.



Lot number:

(TAKEN FROM CARTON)

Date of purchase:

____ / ____ / ____

DO NOT RETURN PRODUCT TO THE STORE.

If a part is missing or damaged, contact our customer service department. We will replace the part **FREE** of charge.



Tel #: 1-800-295-1980

E-Mail: das@dorel.com

Fax #: 514-353-7819

CUSTOMER SERVICE

If you are missing parts or have any questions about this product, contact our customer service representative first!



CALL 1-800-295-1980

You can also order parts by writing to the address listed below. Please include the product model number, color and a detailed description of the part.

**Customer Service Department No. 413
12345 Albert-Hudon Boulevard, Suite 100
Montreal, Quebec
Canada H1G 3L1**

E-MAIL: das@dorel.com

WARNING

- * Assembly and handling may require two people.
- * To prevent any scratches, please remove all packaging and assemble on a clean, smooth surface.
- * Read all instructions completely before assembling.
- * Do not use power tools.
- * CAUTION: Adult assembly required.
- * Phillips head screw driver is not included.
- * Estimated assembly time is 45 - 60 minutes.

CARE AND CLEANING

Dust regularly with a soft, lint-free cloth to prevent soil build-up. A damp cloth may be used occasionally to clean surface. Dry immediately. Do not use any abrasives that may damage finish. Excessive exposure to sunlight and extreme changes in temperature and moisture can damage wood furniture.

Use coasters to prevent the formation of moisture rings and trivets to protect from hot items. Cover extension leaves (if applicable) with a soft protective fabric before storing. Do not slide objects across the surface - always lift them.

MAINTENANCE

Check bolts/screws periodically and tighten them if necessary.

LIMITED WARRANTY

Dorel Asia warrants its product to be free from defects in material and workmanship and agrees to remedy any such defect. This warranty covers 1 year from the date of original purchase. This warranty is valid only upon presentation of proof of purchase. This is solely limited to the repair or replacement of defective furniture components and no assembly labor is included. This warranty does not apply to any product which has been improperly assembled, subjected to misuse or abuse or which has been altered or repaired in any way. This warranty gives you specific legal rights and you may also have other rights which vary from State to State.

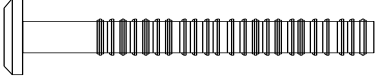




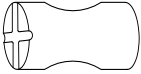


WARNING: Should this product become damaged, and/or components are broken or missing, DO NOT USE.


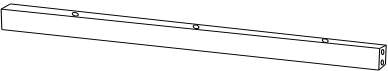
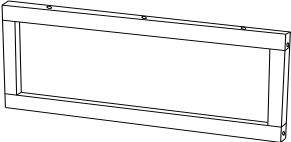
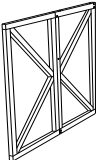
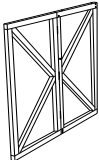
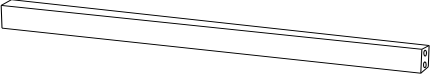
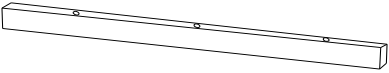
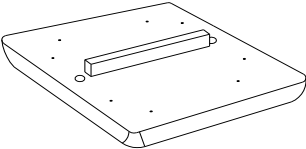
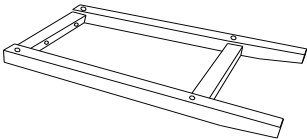
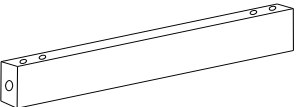
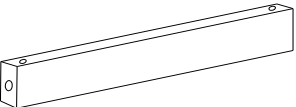
3-PC COUNTER HEIGHT DINING SET

DA3646

HARDWARE LIST

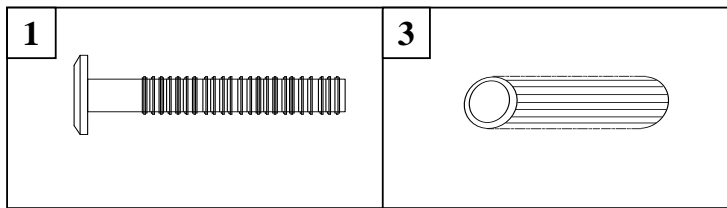
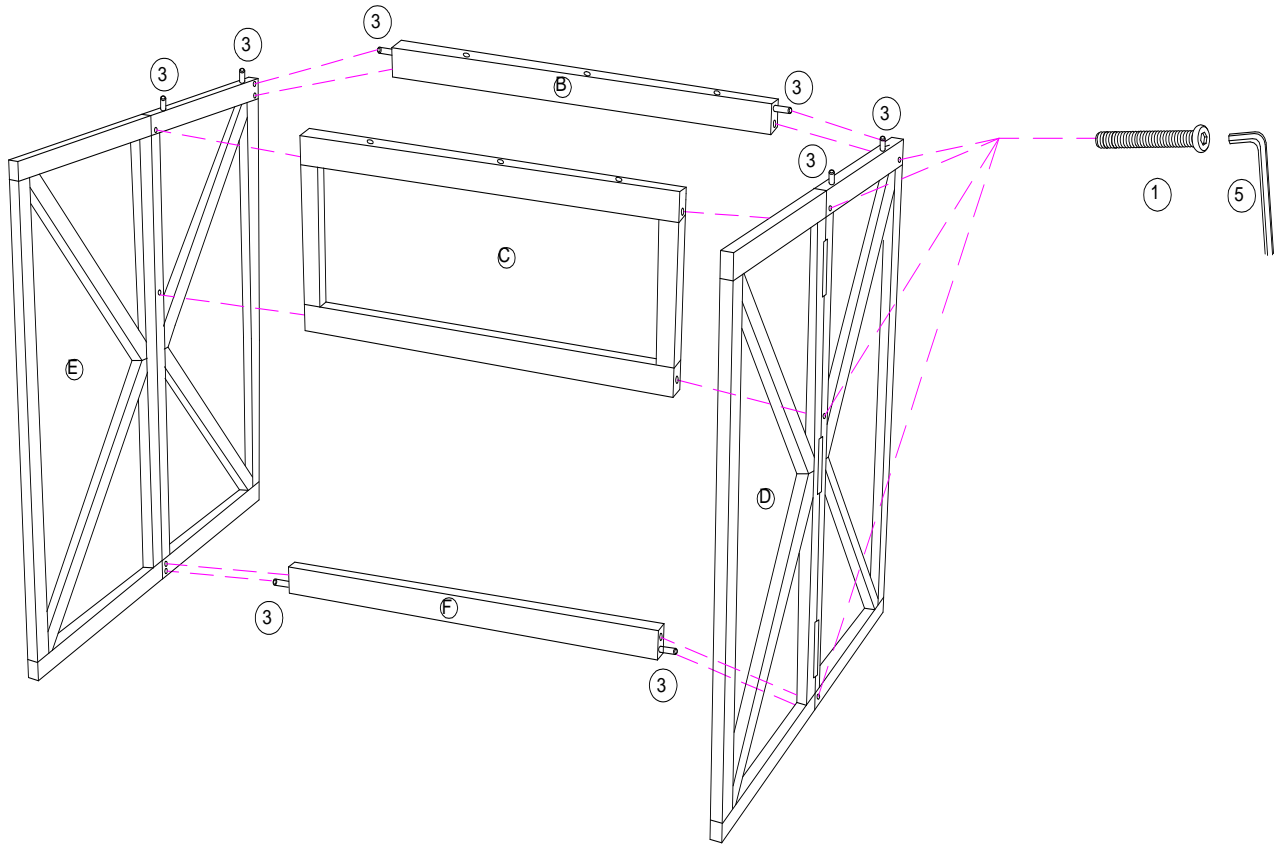
<p>1</p>  <p>Ø1/4" x 2"</p>	<p>2</p>  <p>Ø1/4" x 2-1/2"</p>	<p>3</p> 
<p>BOLT 8 PCS</p>	<p>BOLT 16 PCS</p>	<p>WOOD DOWEL 22 PCS</p>
<p>4</p> 	<p>5</p> 	<p>6</p> 
<p>FLAT HEAD SCREW 25 PCS</p>	<p>ALLEN KEY 1 PC</p>	<p>BARREL NUT 16 PCS</p>

PARTS LIST

<p>A</p> 	<p>B</p> 	<p>C</p> 
<p>TABLE TOP- 1 PC</p>	<p>BACK RAIL- 1 PC</p>	<p>MIDDLE PANEL - 1 PC</p>
<p>D</p> 	<p>E</p> 	<p>F</p> 
<p>RIGHT SIDE FRAME- 1 PC</p>	<p>LEFT SIDE FRAME- 1 PC</p>	<p>BOTTOM CROSS BAR- 1 PC</p>
<p>G</p> 	<p>H</p> 	<p>I</p> 
<p>FRONT RAIL - 1 PC</p>	<p>SEAT BOARD - 2 PCS</p>	<p>STOOL SIDE FRAMES- 4 PCS</p>
<p>J</p> 	<p>K</p> 	<p>L</p>
<p>STOOL RAIL- 4 PCS</p>	<p>STRETCHERS - 4 PCS</p>	

3-PC COUNTER HEIGHT DINING SET

DA3646



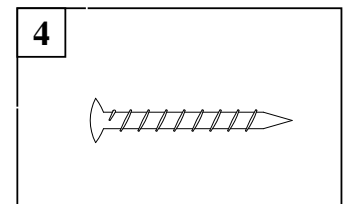
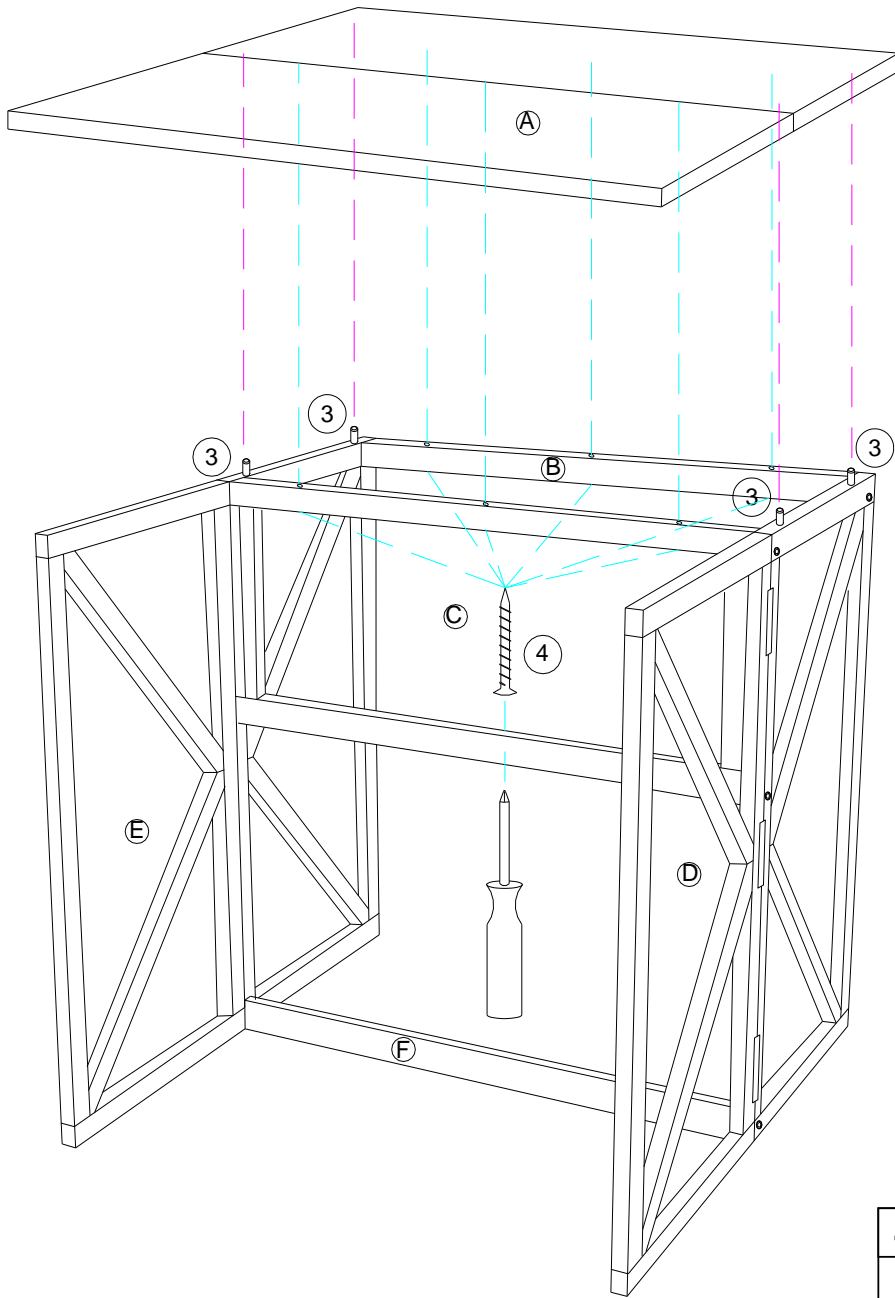
STEP 1

Insert wood dowels (3) into back rail (B), left side frame (E), right side frame (D), and bottom cross bar (F) as shown.

Attach the side frames (D & E) to back rail (B), middle panel (C) and bottom cross bar (F) with bolts (1) and Allen key (5).

3-PC COUNTER HEIGHT DINING SET

DA3646



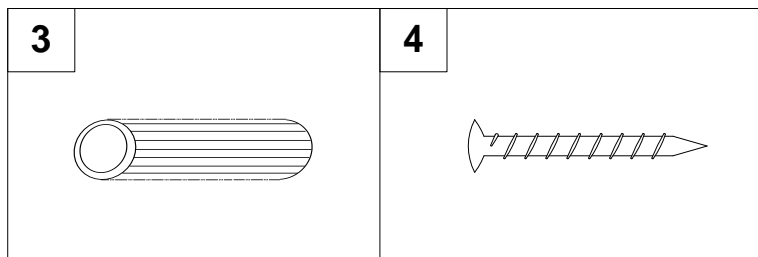
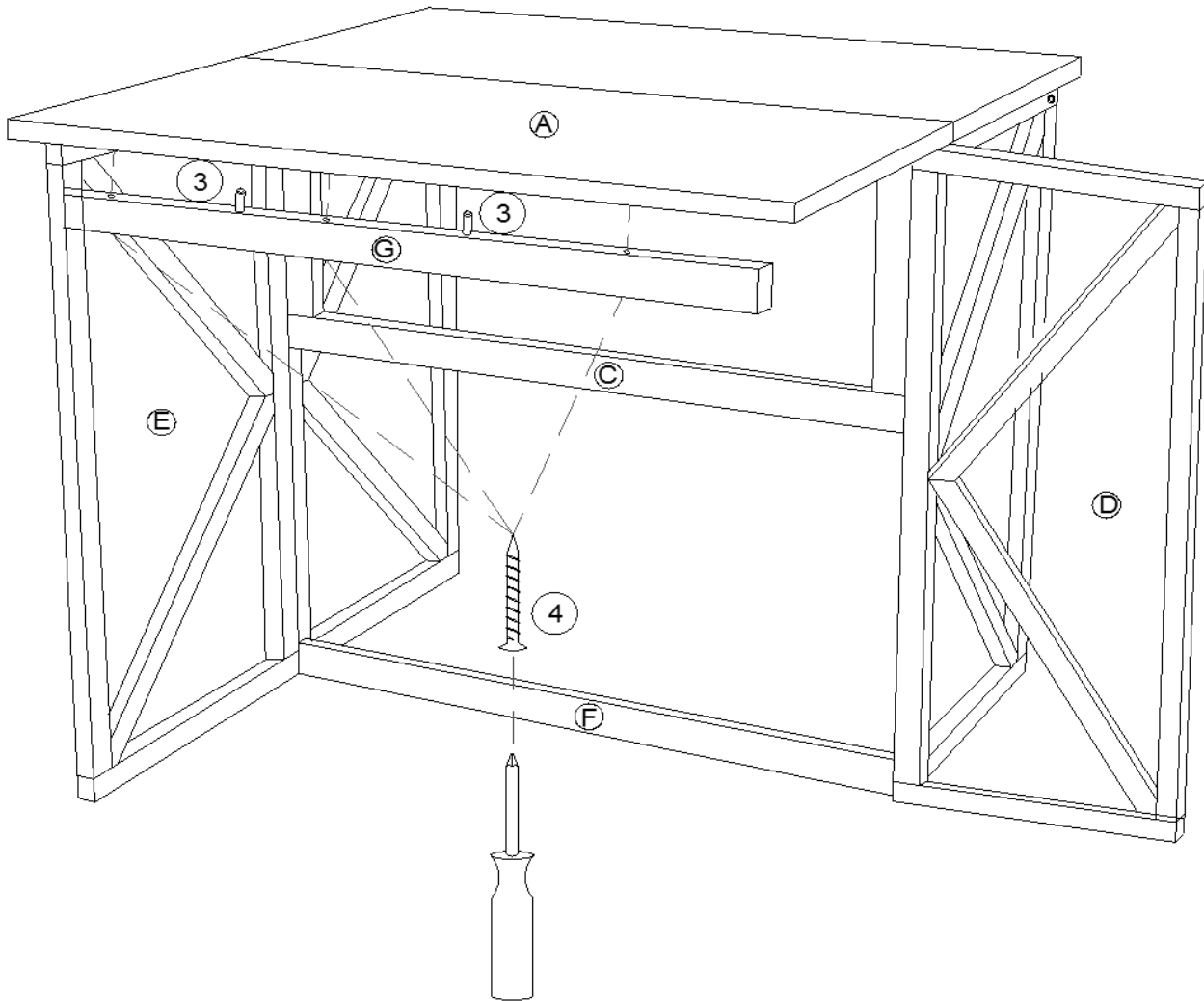
STEP 2

Attach the table top (A) to the assembled base.

Secure the table top (A) to the side frames (D & E), back rail (B) & middle panel (C) with flat head screws (4). Use a Phillips head screw driver (not included) to tighten the screws.

3-PC COUNTER HEIGHT DINING SET

DA3646

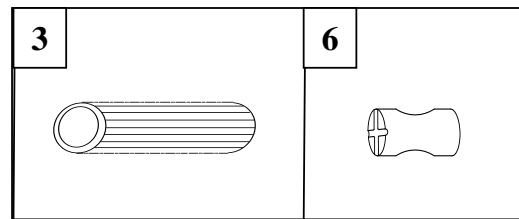
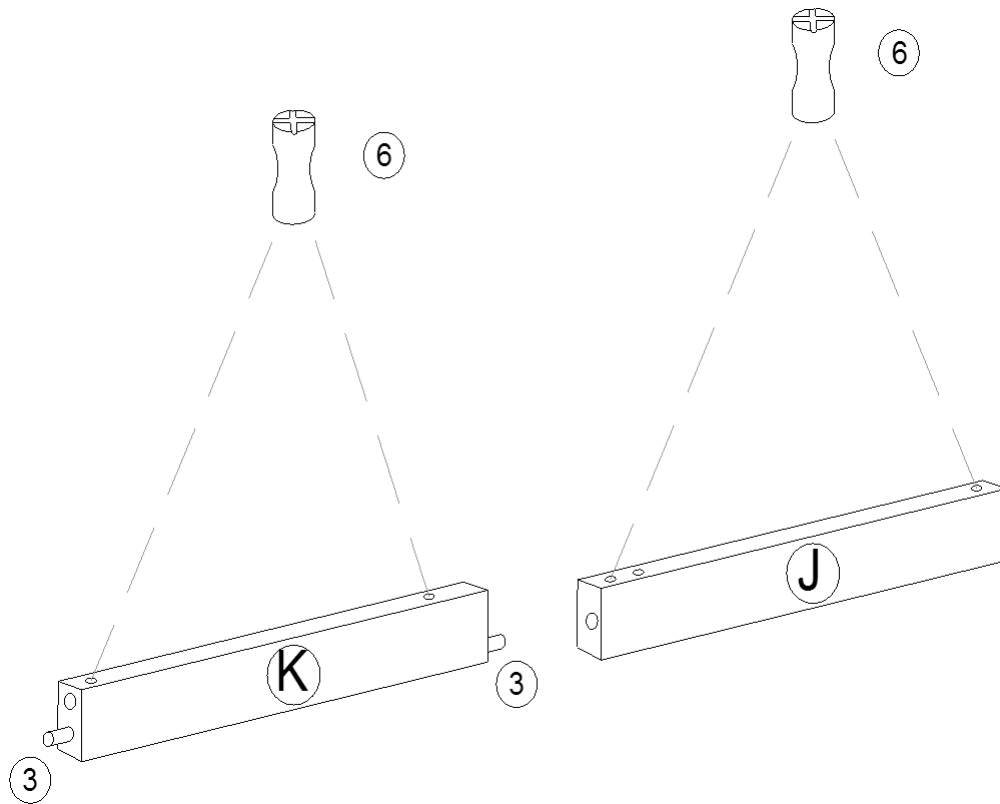


STEP 3

Insert the wood dowels (3) into the front rail (G) and attach it to table top (A) with flat head screws (4). Use a Phillips head screw driver (not included) to tighten all screws.

3-PC COUNTER HEIGHT DINING SET

DA3646

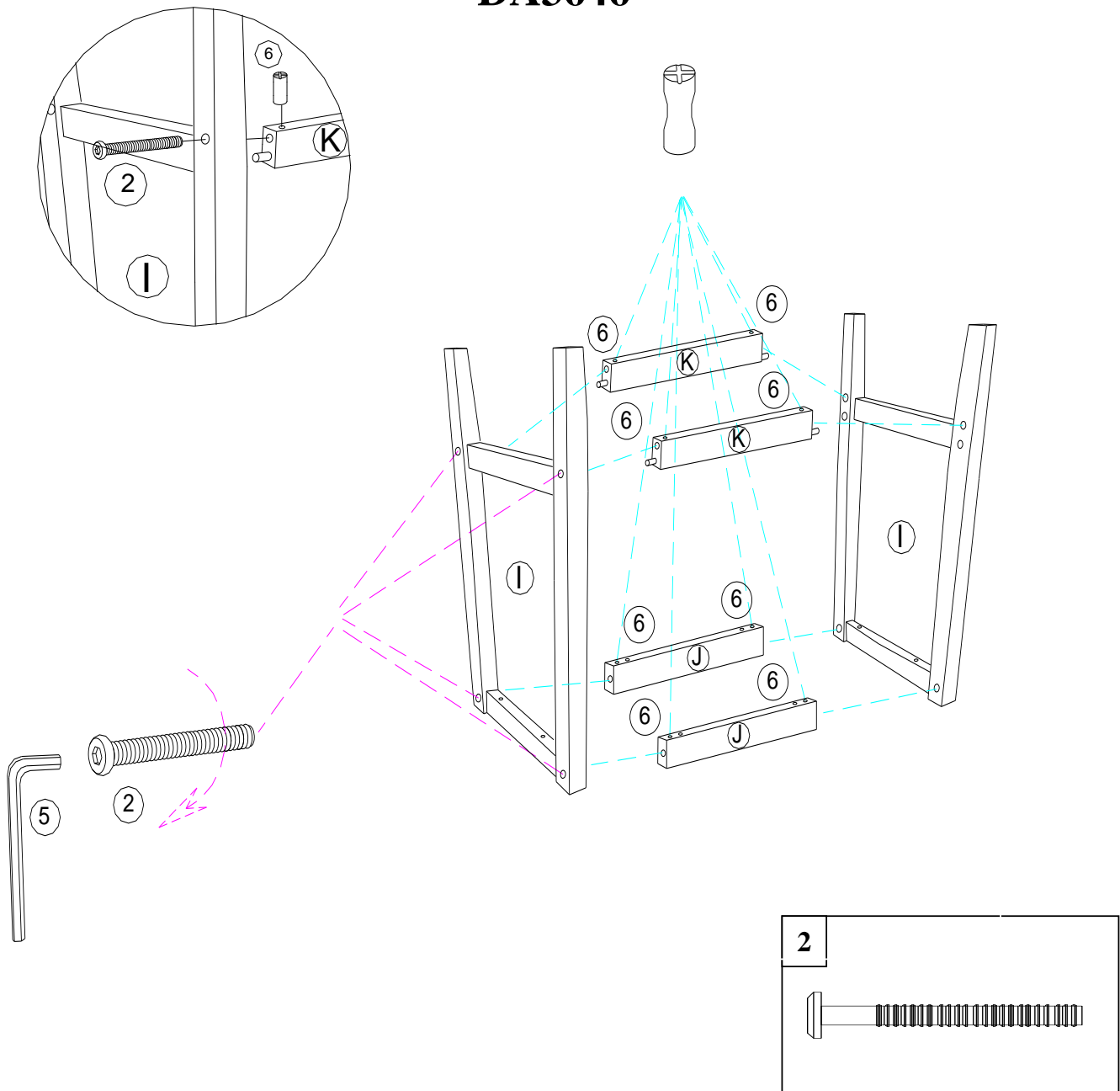


STEP 4

Insert barrel nuts (6) into the stool rails (J) and stretchers (K).
Insert wood dowels (3) into both ends of stretchers (K).

3-PC COUNTER HEIGHT DINING SET

DA3646



STEP 5

Attach stool side frames (I) to stool rails (J) and stretchers (K) with bolts (2).

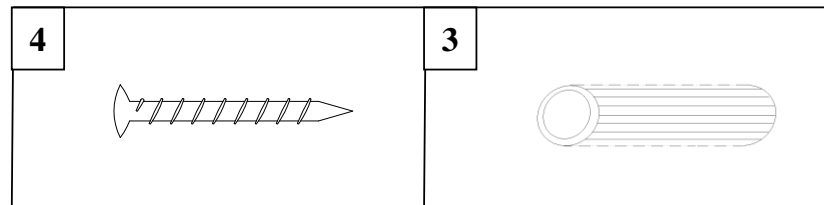
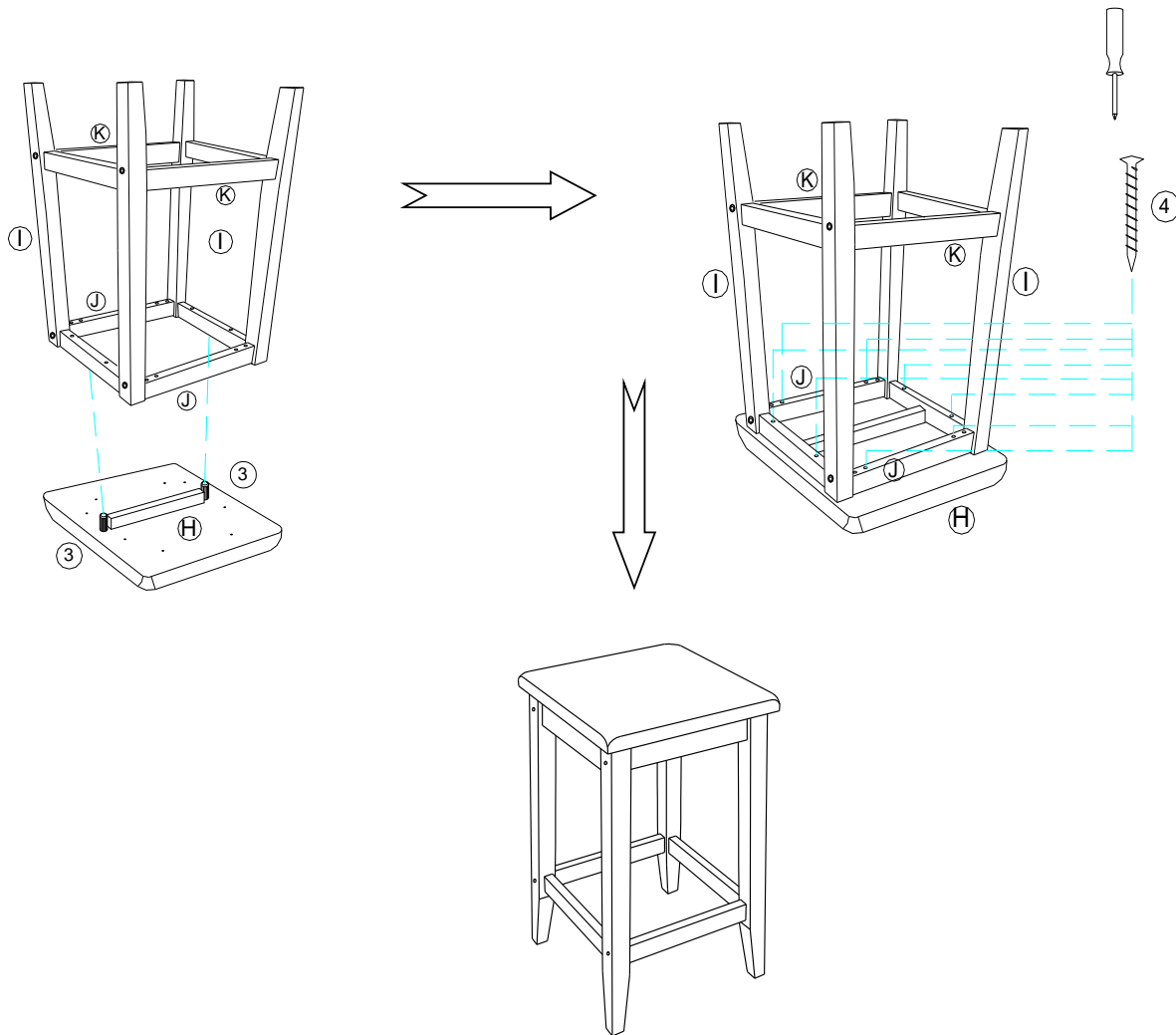
Use Allen key (5) to install bolts (2).

Do not fully tighten the bolts. Leaving them loose will facilitate assembly in the following steps.

Note: The holes on the barrel nut (6) must line up with bolts (2). If the hole is not perfectly lined up, use a Phillips head screw driver to adjust the barrel nut.

3-PC COUNTER HEIGHT DINING SET

DA3646



STEP 6

Insert wood dowels (3) into seat board (H).

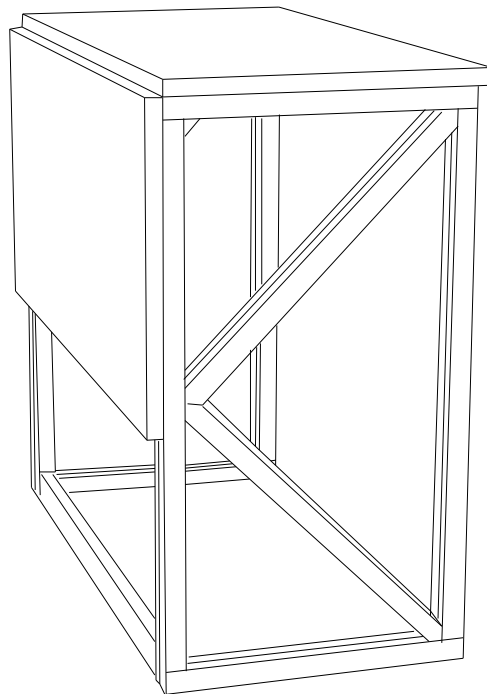
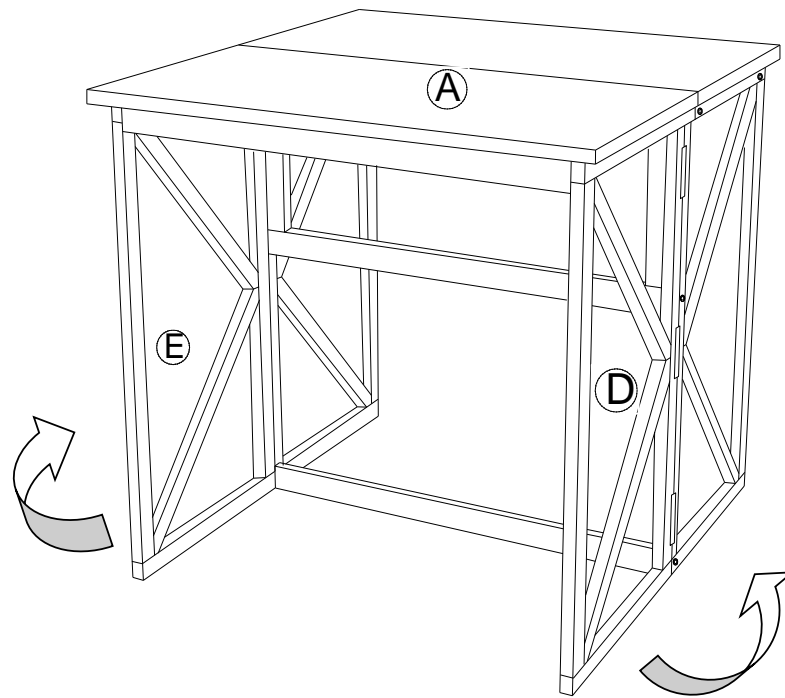
Attach seat board (H) to the assembled stool frame with flat head screws (4) using a Phillips head screw driver (not included). Do not fully tighten all the screws.

Turn the stool over in the upright position. Gently push down on the stool until all legs sit flush on the floor. Fully tighten all bolts/screws previously installed.

Repeat steps 4 to 6 to assemble the other stool.

3-PC COUNTER HEIGHT DINING SET

DA3646




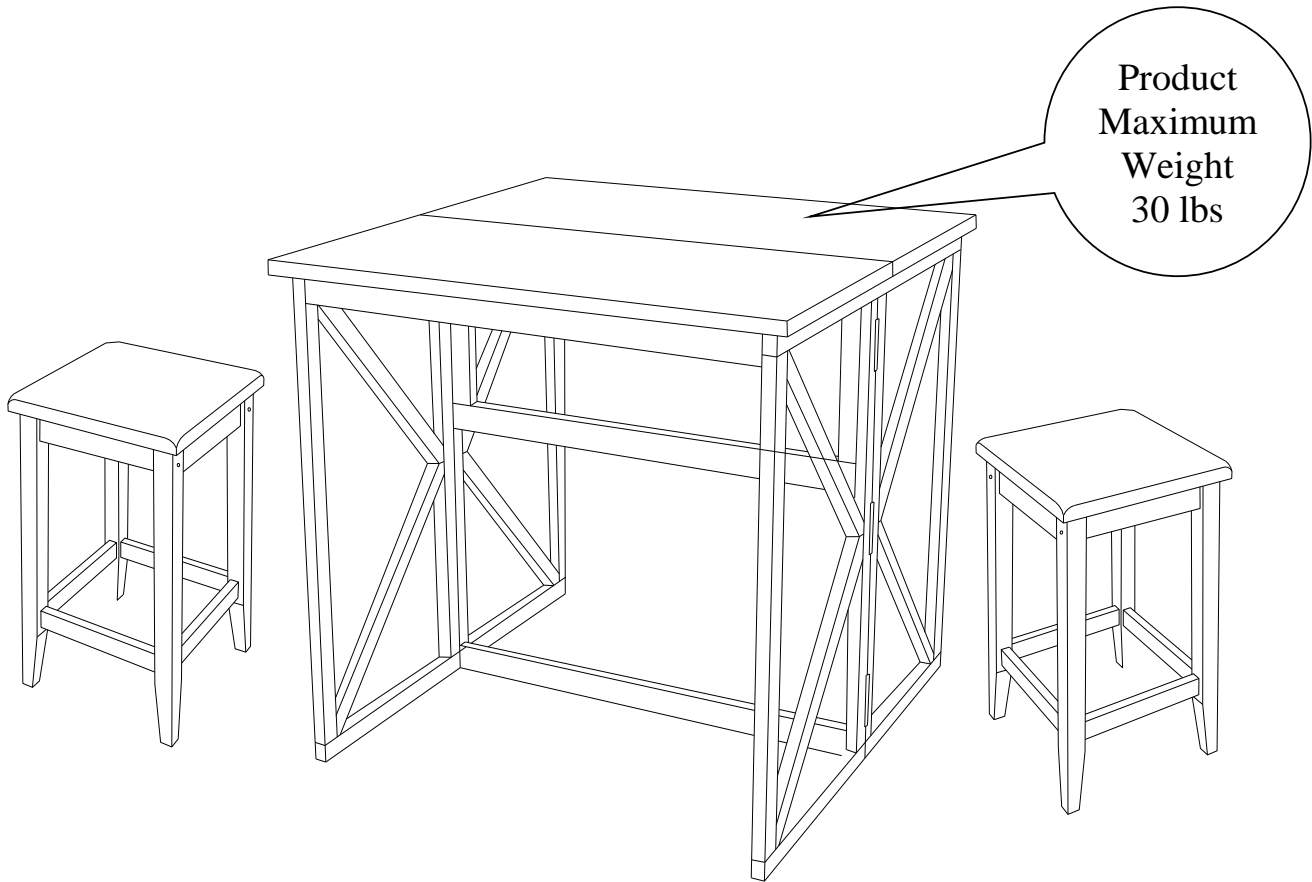
FOLDING THE TABLE:

While holding on to table top (A), gently push the right side frame (D) and left side frame (E) outwards toward the non-folding side. Once right side frame (D) and left side frame (E) are flush against the non-folding sides, gently lower table top (A).

3-PC COUNTER HEIGHT DINING SET

DA3646

 **CAUTION:** This unit is intended for use only with the products and/or maximum weights indicated. Use with other products and/or products heavier than the maximum weights indicated may result in instability or cause possible injury.



That's it ! You've finished assembling your dining set.

DO NOT RETURN PRODUCT TO THE STORE.
If a part is missing or damaged, contact our customer service department. We will replace the part **FREE** of charge.



Tel #: 1-800-295-1980
E-Mail: das@dorel.com
Fax #: 514-353-7819

Customer Service

PLEASE DO NOT RETURN THIS PRODUCT TO THE STORE

PLEASE CONTACT CUSTOMER SERVICE REPRESENTATIVES AT THE FOLLOWING NUMBERS SHOULD THERE BE ANY MISSING OR DEFECTIVE PART(S).

Customer Service Phone Number 1-800-295-1980

Email: das@dorel.com

Customer Service Fax Number 514-353-7819

Request Date:

Name:

Shipping Address:

Street & Number:

City & State:

Zip Code:

Day Time Phone Number:
(including area code)

Date & Place of Purchase:

Part(s) description and quantity: (Please be sure to list model number or SKN number)

Customer Service Representative Mailing Address:

Customer Service Department No. 413, 12345 Albert-Hudon Boulevard, Suite 100, Montreal, QC, Canada, H1G 3L1