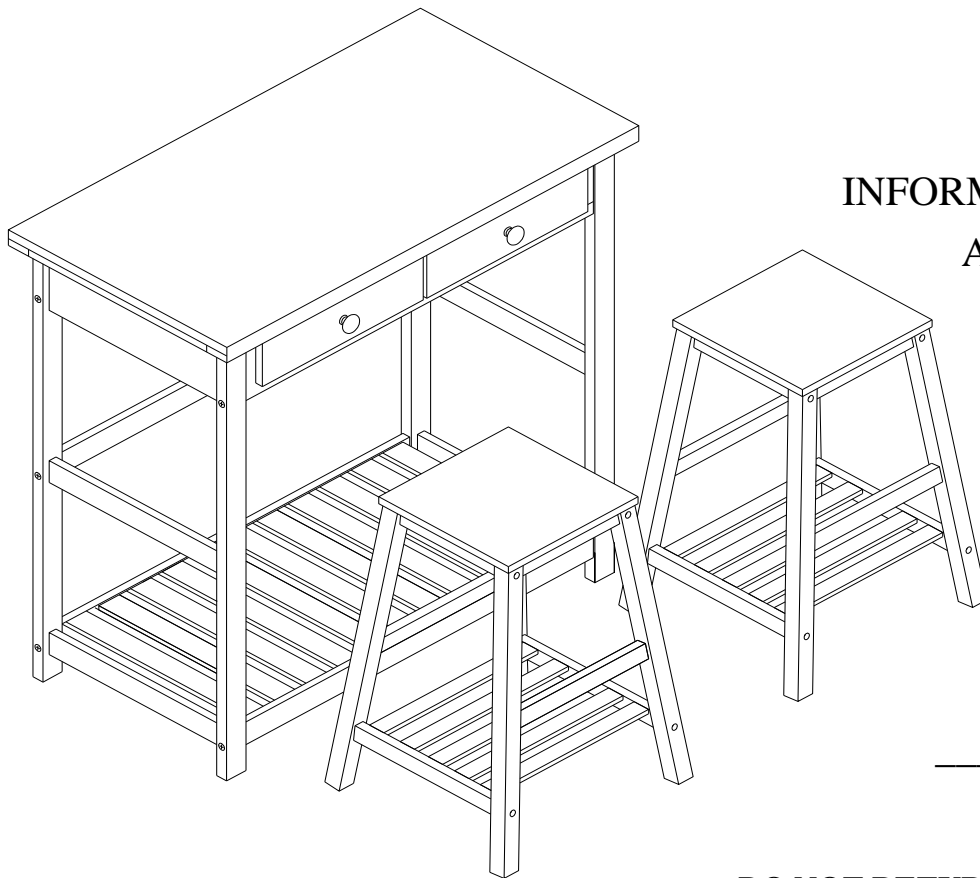


DOREL ASIA

KITCHEN ISLAND SET

Model No:
DA2081

UPC CODE:
0-65857-16118-2



NOTE:
THIS INSTRUCTION
BOOKLET CONTAINS
IMPORTANT SAFETY
INFORMATION. PLEASE READ
AND KEEP FOR FUTURE
REFERENCE.

Lot number:
(TAKEN FROM CARTON)

Date of purchase:

____ / ____ / ____

DO NOT RETURN PRODUCT TO THE STORE.

If a part is missing or damaged, contact our customer service department. We will replace the part **FREE** of charge.



Tel #: 1-800-295-1980
E-Mail: das@dorel.com
Fax #: 514-353-7819

CUSTOMER SERVICE

If you are missing parts or have any questions about this product, contact our customer service representative first!

 **CALL 1-800-295-1980**

You can also order parts by writing to the address listed below. Please include the product model number, color and a detailed description of the part.

Customer Service Department No. 413

12345 Albert-Hudon Boulevard, Suite 100

Montreal, Quebec

Canada H1G 3L1

E-MAIL: das@dorel.com

NOTE

- * Ensure that all parts and components are located before beginning assembly.
- * Assemble on soft surface to prevent damage to the product finish.
- * Read all instructions before use of the kitchen island.
- * **DO NOT** use the unit if it is damaged or broken.
- * Phillips head screwdriver is not included.
- * **DO NOT** use power tools.
- * Caution :Adult assembly required.
- * Assembly will require 2 people
- * Estimated assembly time:30 minutes



WARNING

- * **DO NOT** use the kitchen island as a seating surface.
- * **DO NOT** place any type of electrical appliance on the unit.
- * **DO NOT** place any pots or pans containing hot liquids on the unit.
- * **DO NOT** place any item on the top panel weighing more than 50 lbs.
- * **DO NOT** place any item on the kitchen island with dimensions exceeding those of the top panel.

CARE AND CLEANING

Dust regularly with a soft, lint-free cloth to prevent soil build-up. A damp cloth may be used occasionally to clean surface. Dry immediately. Do not use any abrasives that may damage finish. Excessive exposure to sunlight and extreme changes in temperature and moisture can damage wood furniture.

MAINTENANCE

Check bolts/screws periodically and tighten them if necessary.

LIMITED WARRANTY

Dorel Asia warrants its product to be free from defects in material and workmanship and agrees to remedy any such defect. This warranty covers 1 year from the date of original purchase. This warranty is valid only upon presentation of proof of purchase. This is solely limited to the repair or replacement of defective furniture components and no assembly labor is included. This warranty does not apply to any product which has been improperly assembled, subjected to misuse or abuse or which has been altered or repaired in any way. This warranty gives you specific legal rights and you may also have other rights which vary from State to State.



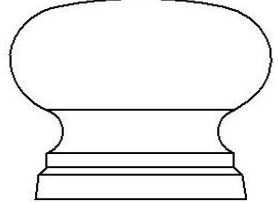

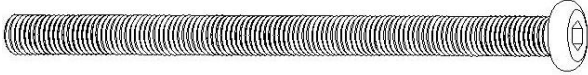


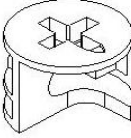
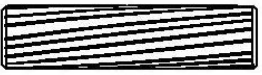
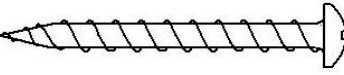

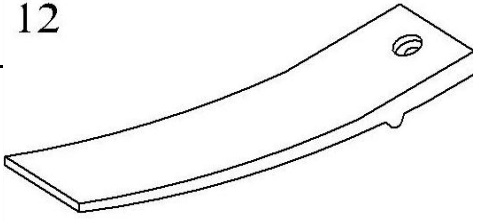
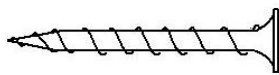
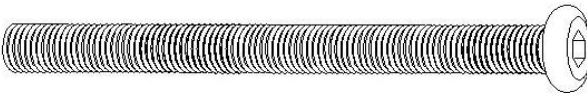


WARNING: Should this product become damaged, and/or components are broken or missing, DO NOT USE.

KITCHEN ISLAND SET

DA2081

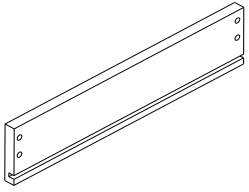
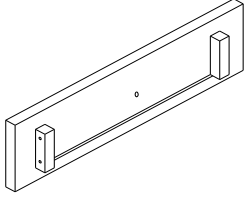
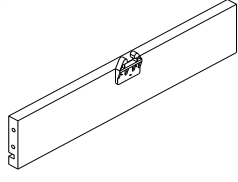
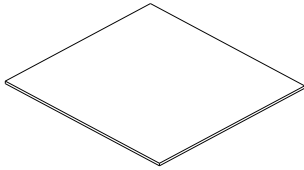
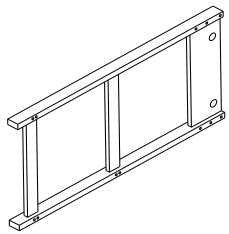
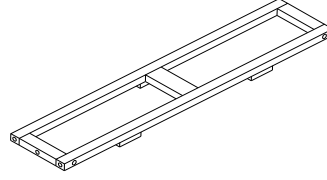
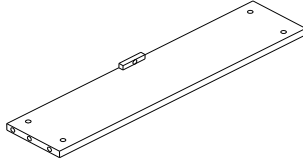
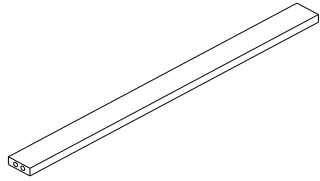
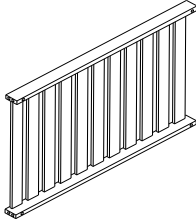
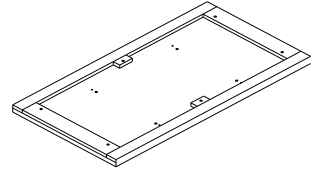
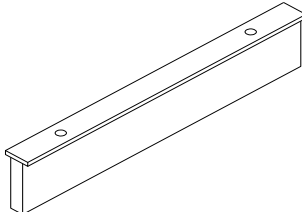
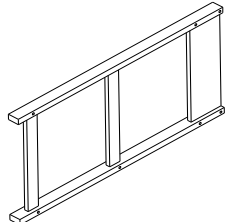
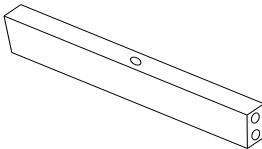
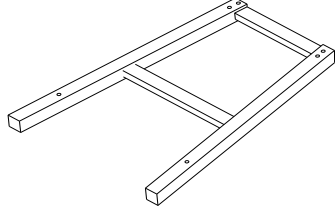
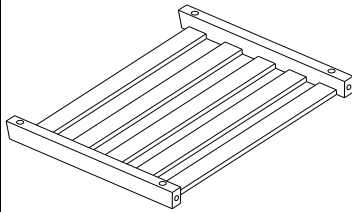
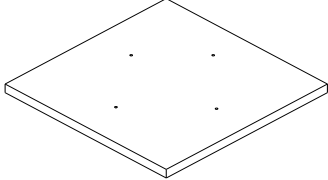
HARDWARE LIST

1  $\text{Ø}5/32" \times 1"$ FLAT HEAD SCREW 18 PCS	2  $\text{Ø}5/32" \times 7/8"$ ROUND HEAD BOLT 2 PCS	3  KNOB 2 PCS
4  $D10 \times \text{Ø}1/4" \times 12\text{mm}$ BARREL NUT 30 PCS	5  $D11 \times \text{Ø}1/4" \times 3"$ HEX SOCKET HEAD BOLT 14 PCS	6  ALLEN KEY 1 PC
7  CAM BOLT 4 PCS	8  CAM LOCK 4 PCS	9  $8 \times 30\text{mm}$ WOOD DOWEL 24 PCS
10  $D8 \times \text{Ø}5/32 \times 1-1/2"$ ROUND HEAD SCREW 4 PCS	11  $D6 \times \text{Ø}2.5" \times 12\text{mm}$ ROUND HEAD SCREW 2 PCS	12  DRAWER STOPPER 2 PCS
13  $D8 \times \text{Ø}5/32 \times 1-1/4"$ FLAT HEAD SCREW 8 PCS	14  $D11 \times \text{Ø}1/4" \times 2-1/2"$ HEX SOCKET HEAD BOLT 16 PCS	

KITCHEN ISLAND SET

DA2081

PARTS LIST

<p>A</p> 	<p>B</p> 	<p>C</p> 	<p>D</p> 
<p>DRAWER SIDE 4 PCS</p>	<p>DRAWER FRONT 2 PCS</p>	<p>DRAWER BACK 2 PCS</p>	<p>DRAWER BOTTOM 2 PCS</p>
<p>E</p> 	<p>F</p> 	<p>G</p> 	<p>H</p> 
<p>LEFT SIDE PANEL 1 PC</p>	<p>FRONT UPPER FRAME 1 PC</p>	<p>BACK UPPER PANEL 1 PC</p>	<p>BACK CENTER RAIL 1 PC</p>
<p>I</p> 	<p>J</p> 	<p>K</p> 	<p>L</p> 
<p>BOTTOM SHELF 1 PC</p>	<p>TOP PANEL 1 PC</p>	<p>WOOD GUIDES 2 PCS</p>	<p>RIGHT SIDE PANEL 1 PC</p>
<p>M</p> 	<p>N</p> 	<p>O</p> 	<p>P</p> 
<p>UPPER RAIL 4 PCS</p>	<p>LEG FRAMES 4 PCS</p>	<p>SHELF 2 PCS</p>	<p>SEAT BOARD 2 PCS</p>

KITCHEN ISLAND SET

DA2081

STEP 1

Attach drawer sides (A) to drawer front (B) with flat head screws (1).

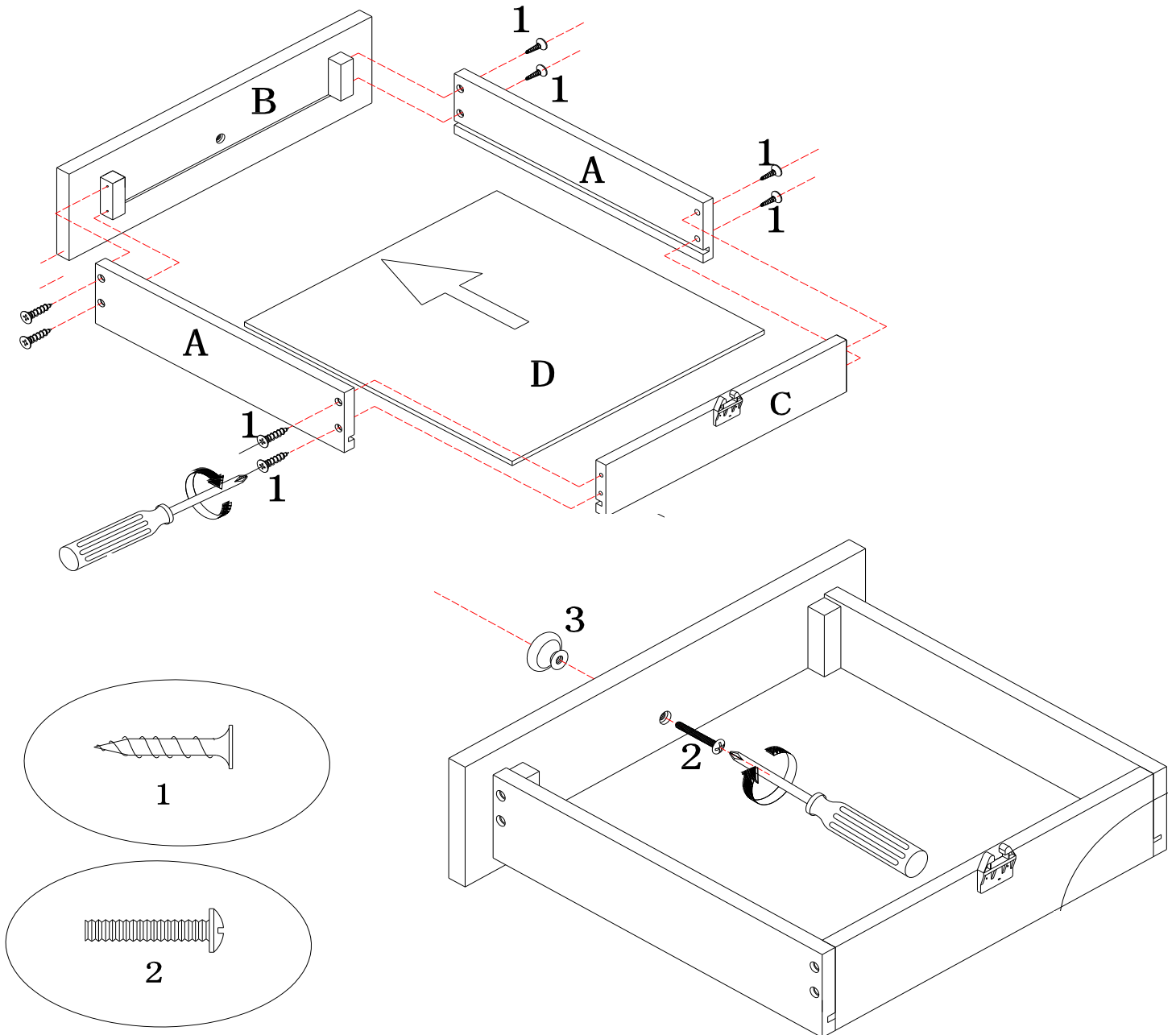
Insert drawer bottom (D) into the grooves of the drawer sides (A) and drawer front (B).

Attach drawer back (C) to drawer sides (A) with flat head screws (1).

Attach knob (3) to drawer front (B) with round head bolt (2).

Use a Phillips head screw driver (not included) to tighten flat head screws (1) and round head bolt (2).

NOTE: Repeat this step to assemble the other drawer .



KITCHEN ISLAND SET

DA2081

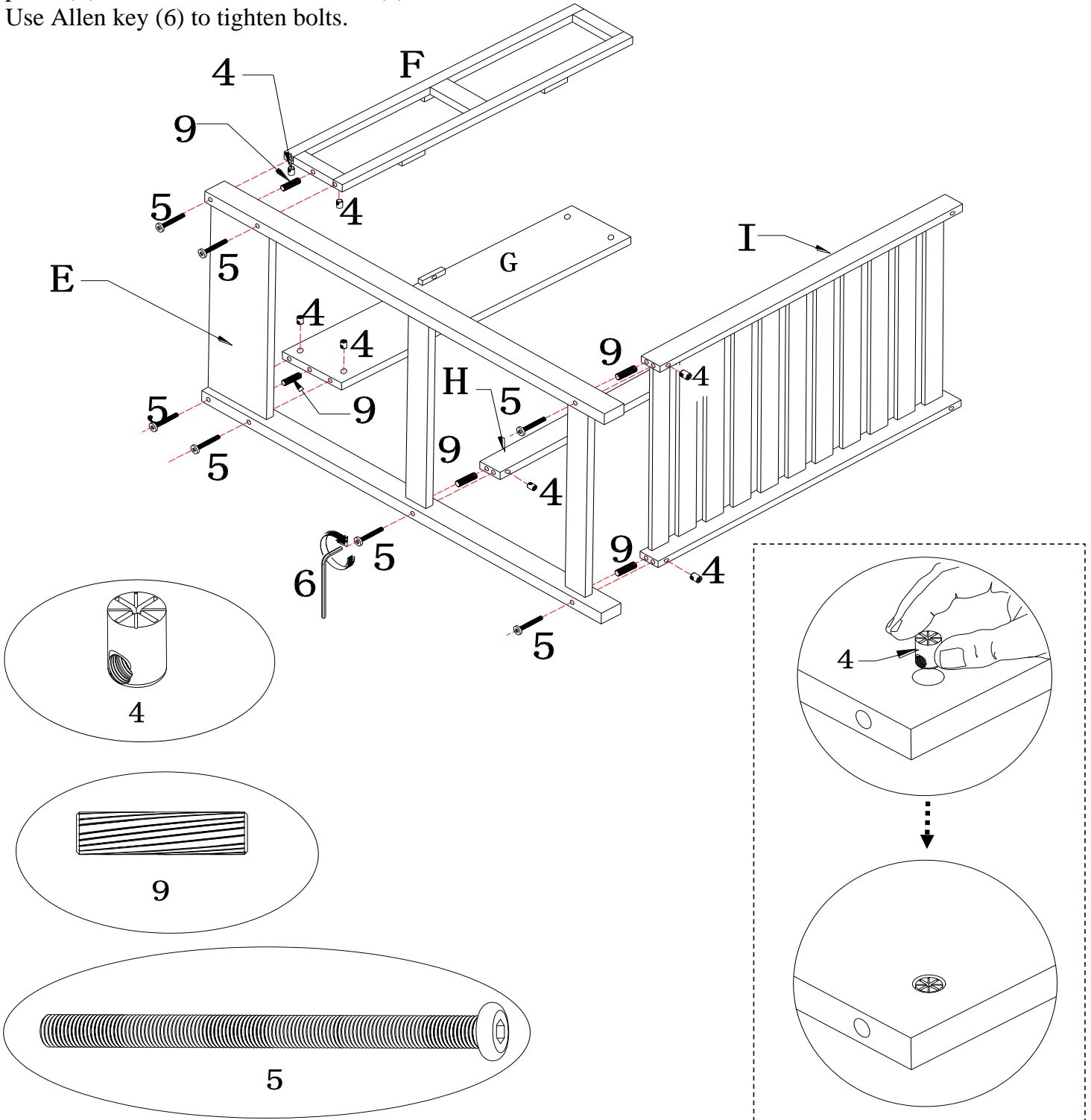
STEP 2

Insert wood dowels (9) into left side panel (E).

Insert barrel nuts (4) into back upper panel (G), back center rail (H), bottom shelf (I) and front upper frame (F) as shown.

Attach back upper panel (G), back center rail (H), bottom shelf (I) and front upper frame (F) to left side panel (E) with hex socket head bolts (5).

Use Allen key (6) to tighten bolts.



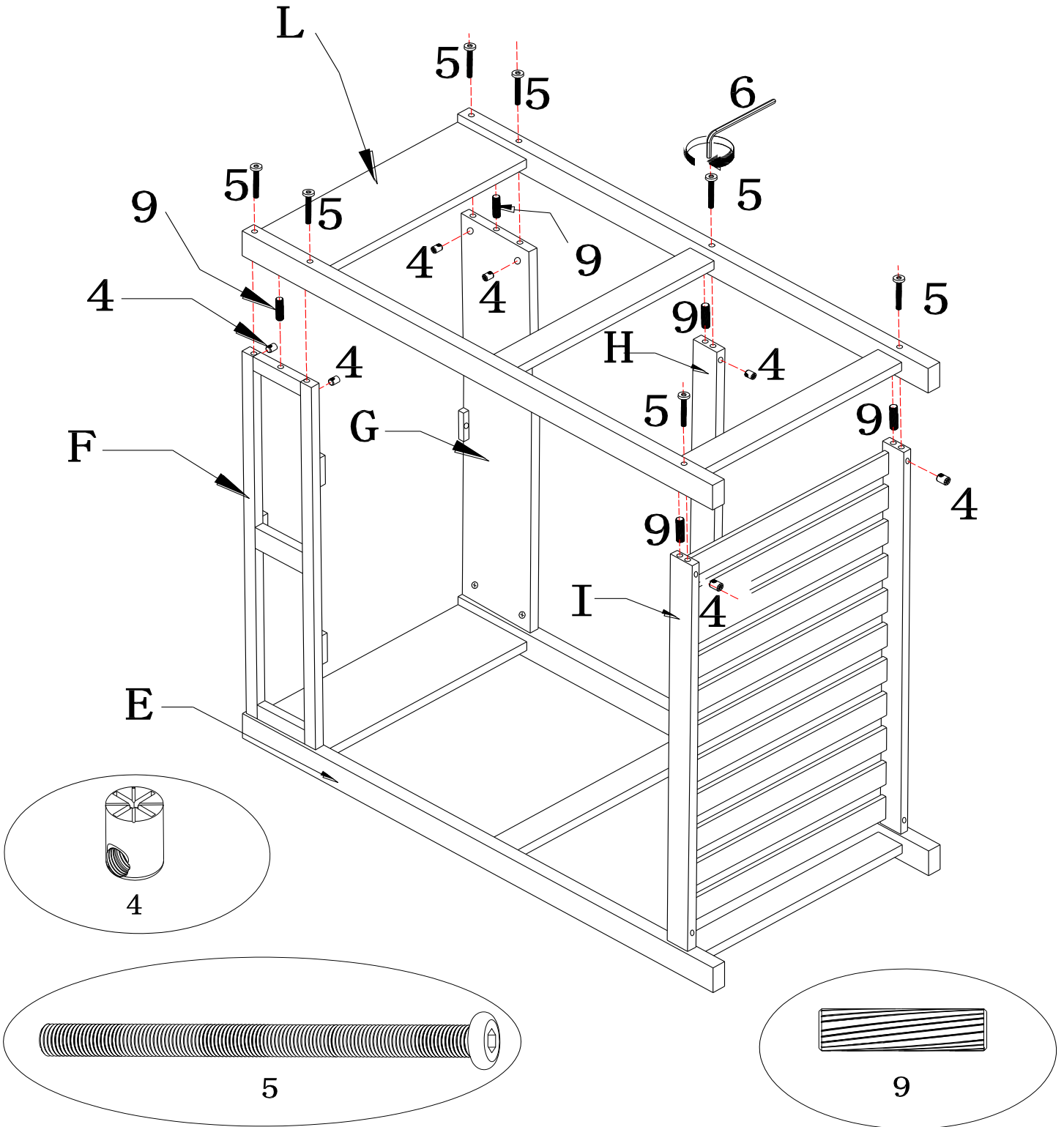
KITCHEN ISLAND SET

DA2081

STEP 3

Insert wood dowels (9) and barrel nuts (4) into bottom shelf (I), back center rail (H), back upper panel (G) and front upper frame (F).

Attach right side panel (L) to bottom shelf (I), back center rail (H), back upper panel (G) and front upper frame (F) with hex socket head bolts (5). Use Allen key (6) to tighten bolts.

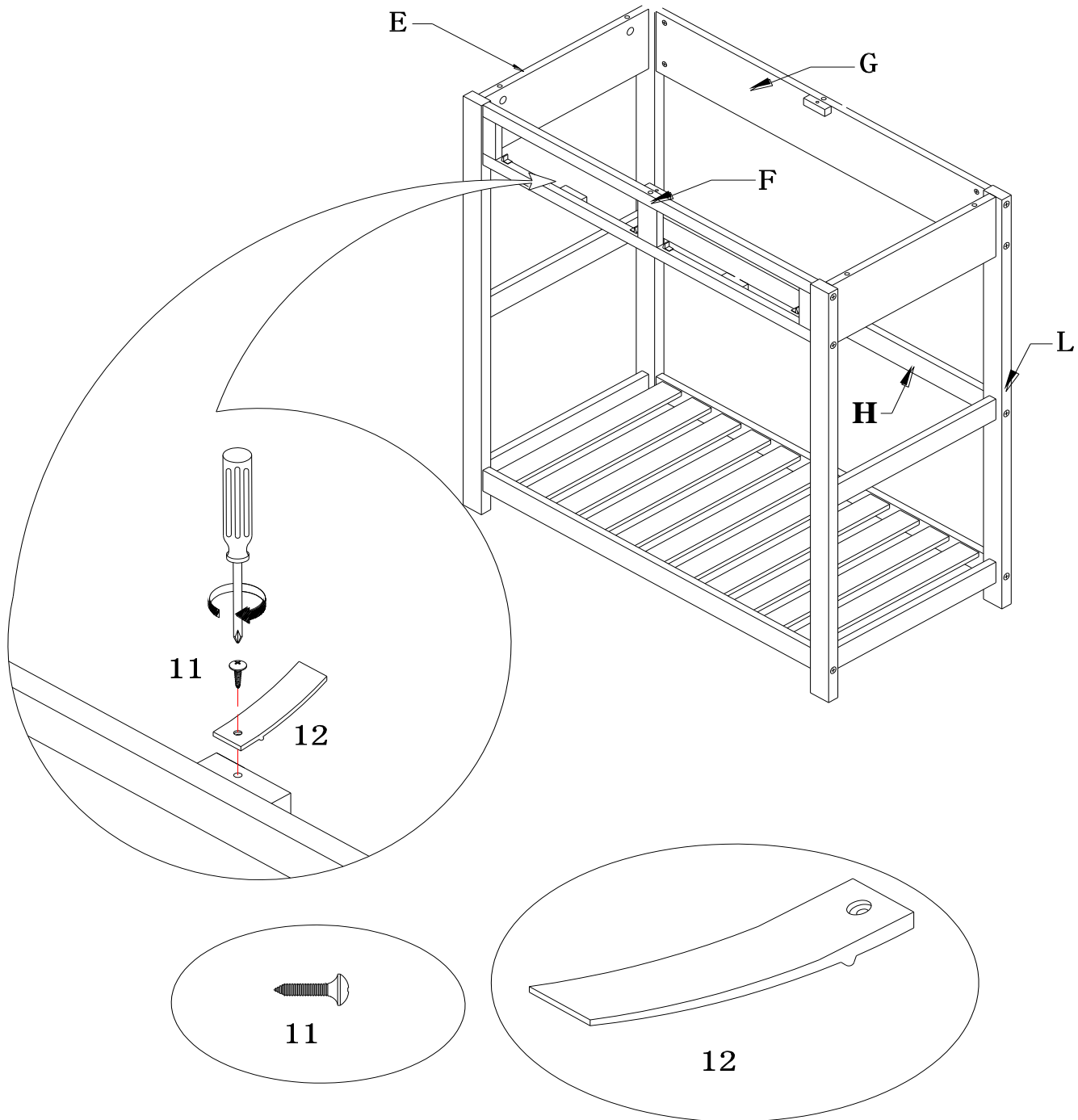


KITCHEN ISLAND SET

DA2081

STEP 4

Attach drawer stoppers (12) to front upper frame (F) with round head screws (11).
Use a Phillips head screw driver (not included) to tighten the screws.

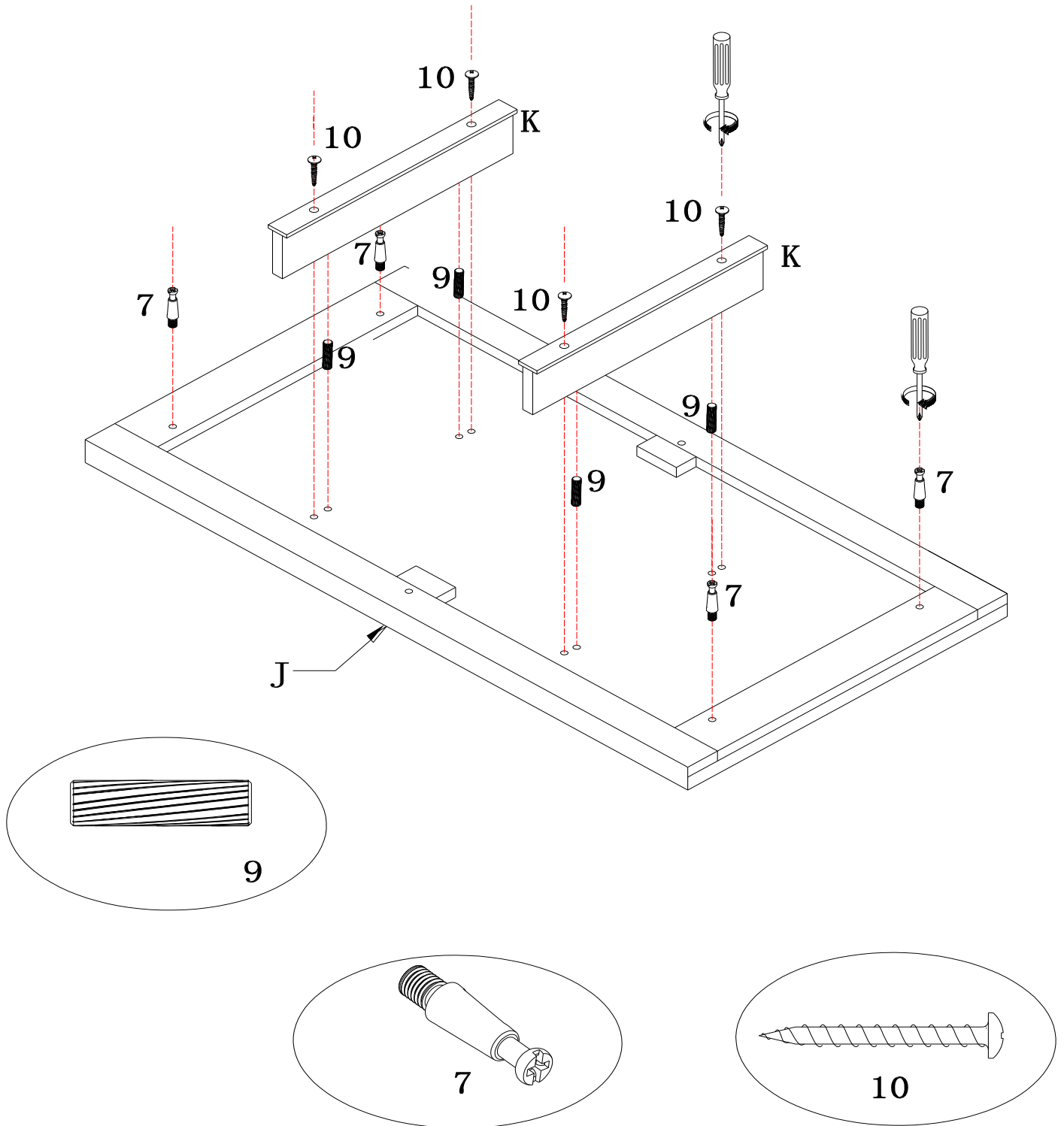


KITCHEN ISLAND SET

DA2081

STEP 5

Insert wood dowels (9) and cam bolts (7) into top panel (J) as shown. Attach wood guides (K) to top panel (J) with round head screws (10). Use a Phillips head screw driver (not included) to tighten the screws.

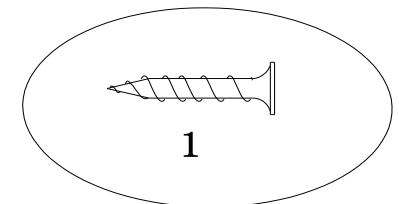
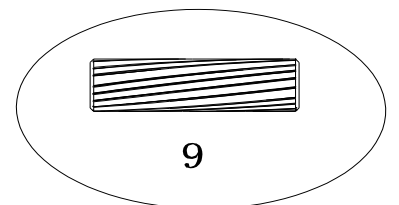
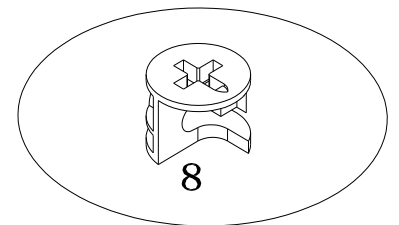
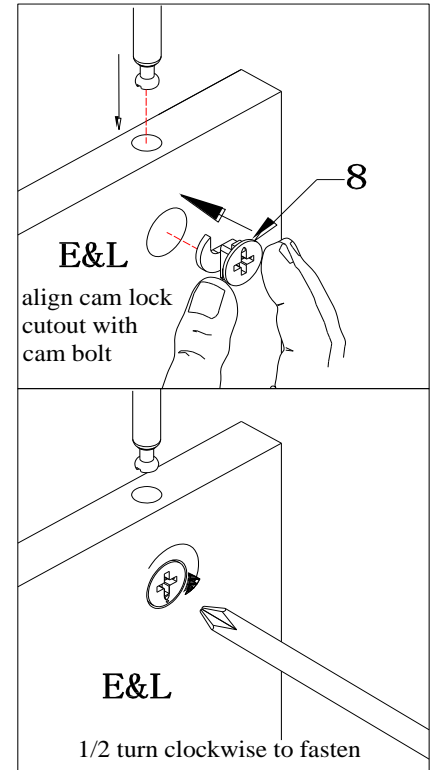
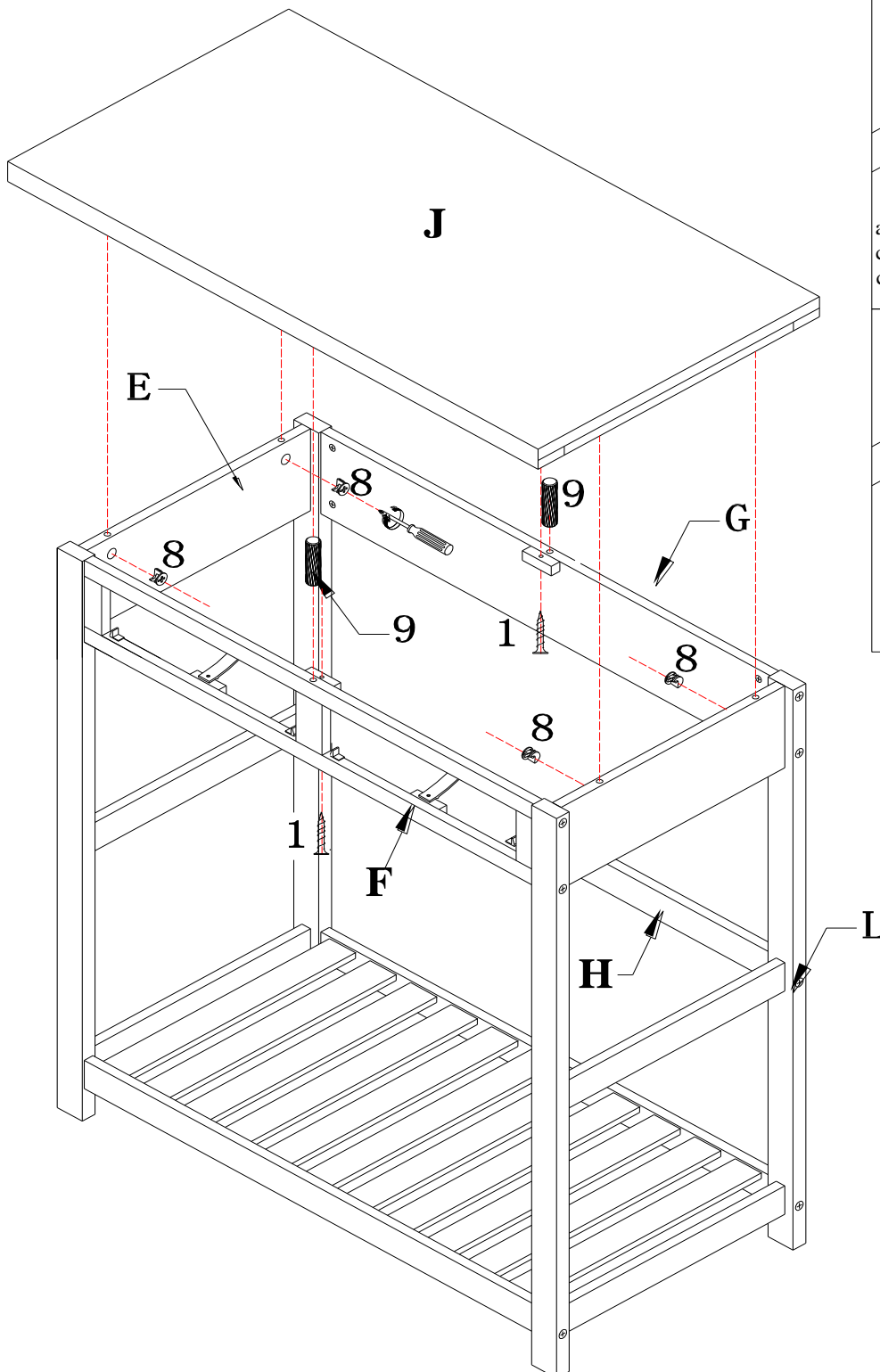


KITCHEN ISLAND SET

DA2081

STEP 6

Insert cam locks (8) into the left side panel (E) and right side panel (L).
Insert wood dowels (9) into front upper frame (F) and back upper panel (G).
Fasten top panel (J) to the assembled base unit by rotating cam lock (8) 1/2-turn clockwise.
Secure top panel (J) to the assembled base with flat head screws (1).
Use a Phillips head screw driver (not included) to tighten the screws.

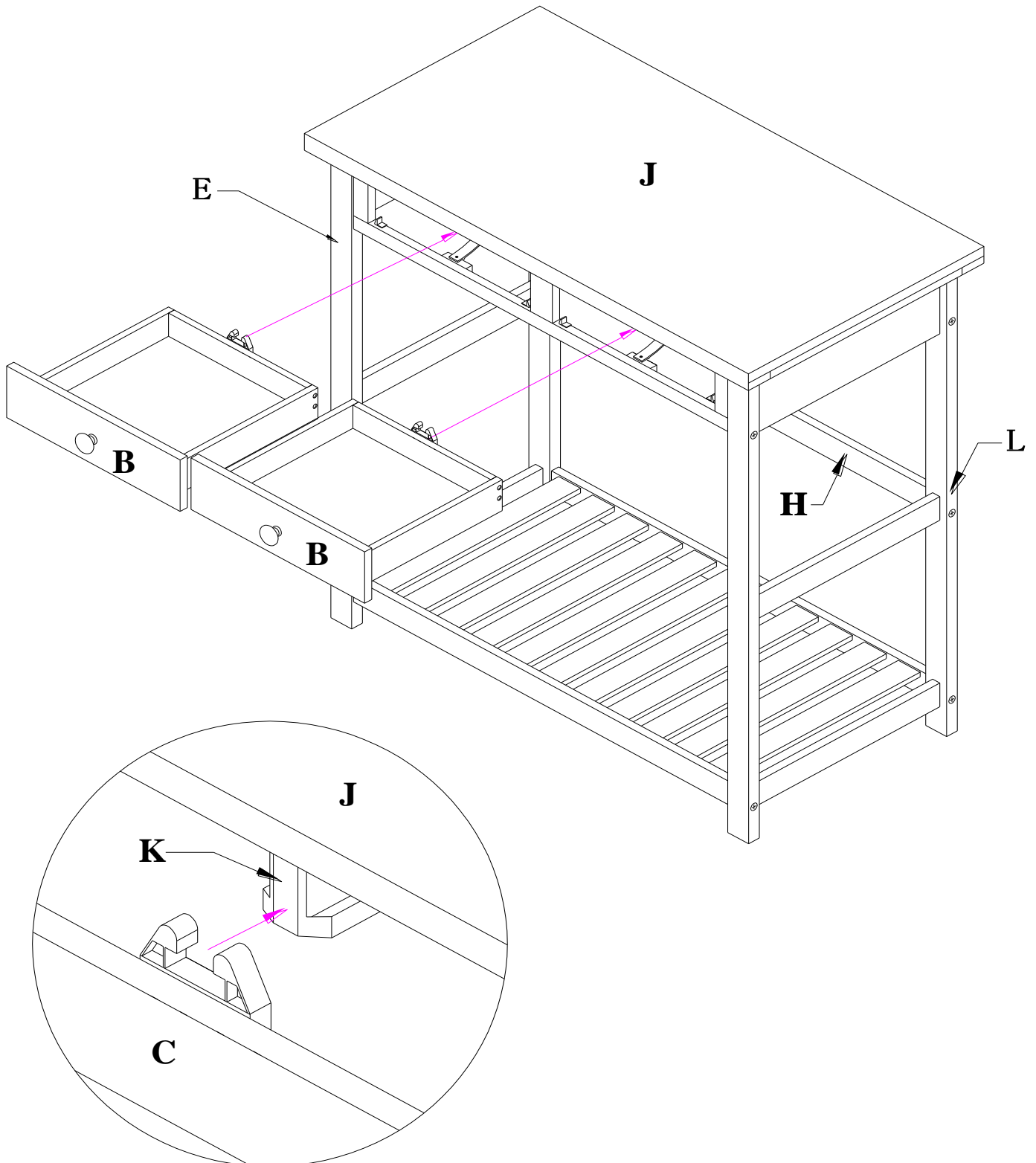


KITCHEN ISLAND SET

DA2081

STEP 7

Insert the drawers into the kitchen island.



KITCHEN ISLAND SET

DA2081

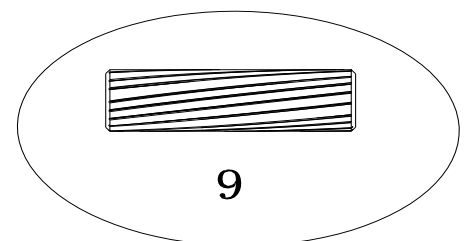
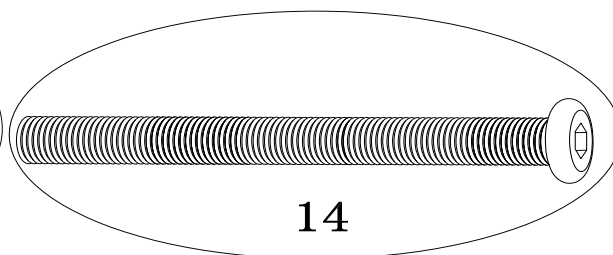
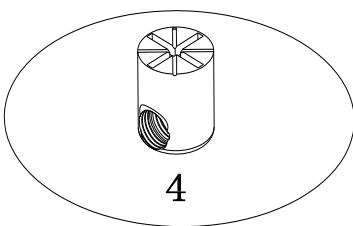
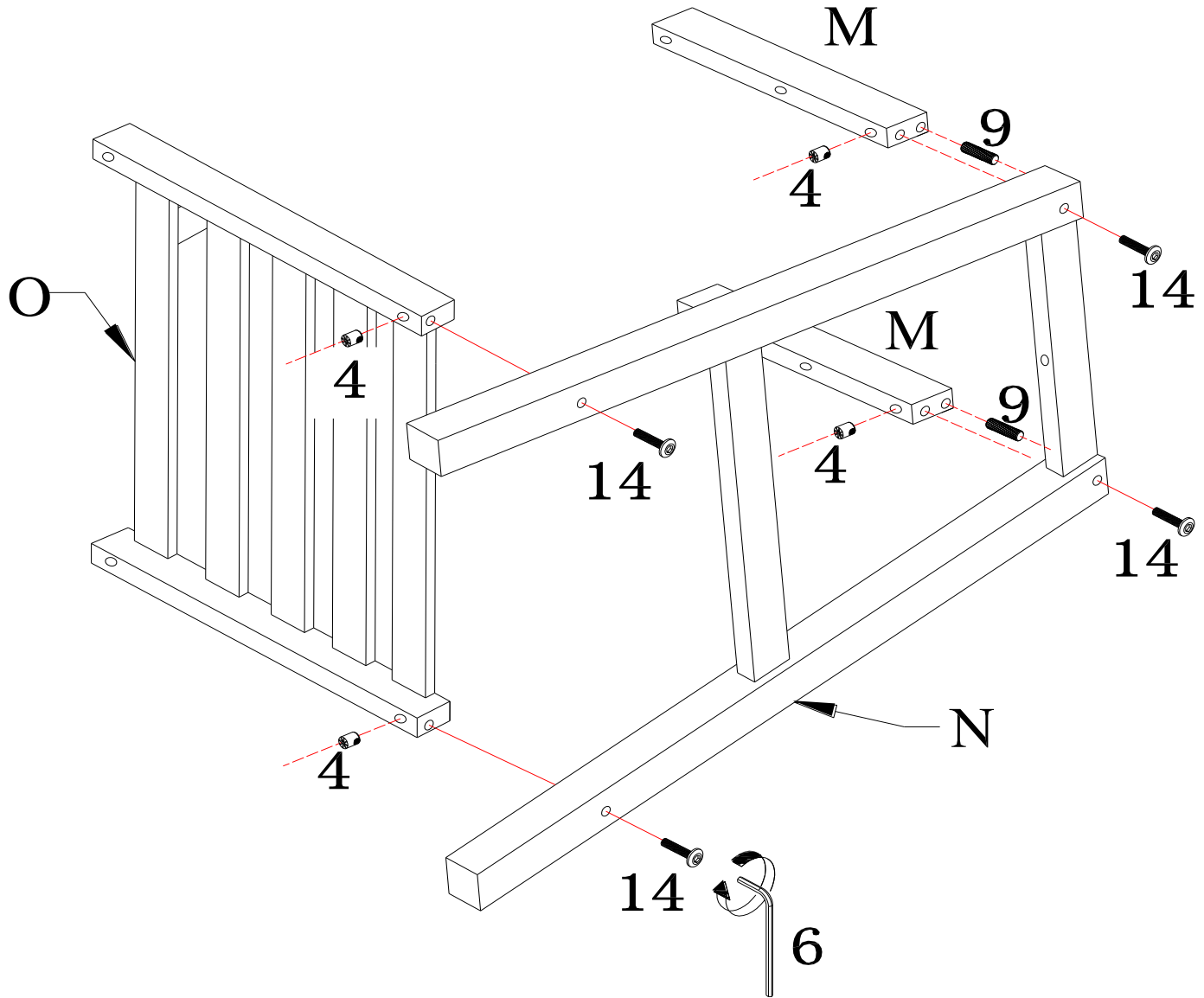
STEP 8

Insert barrel nuts (4) into shelf (O) and upper rails (M) as shown.

Insert wood dowels (9) into upper rails (M).

Attach side panel (N) to shelf (O) and upper rails (M) with hex socket head bolts (14).

Use Allen key (6) to tighten bolts.



KITCHEN ISLAND SET

DA2081

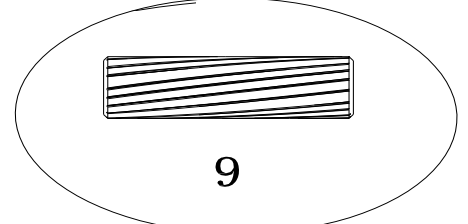
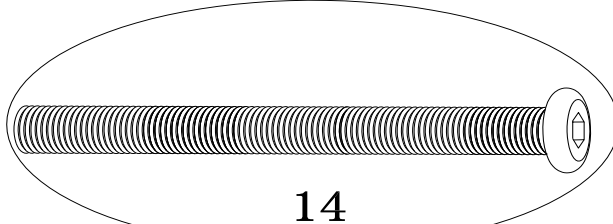
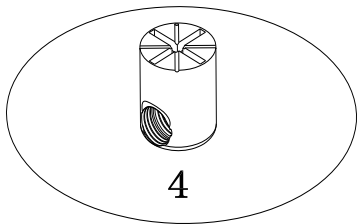
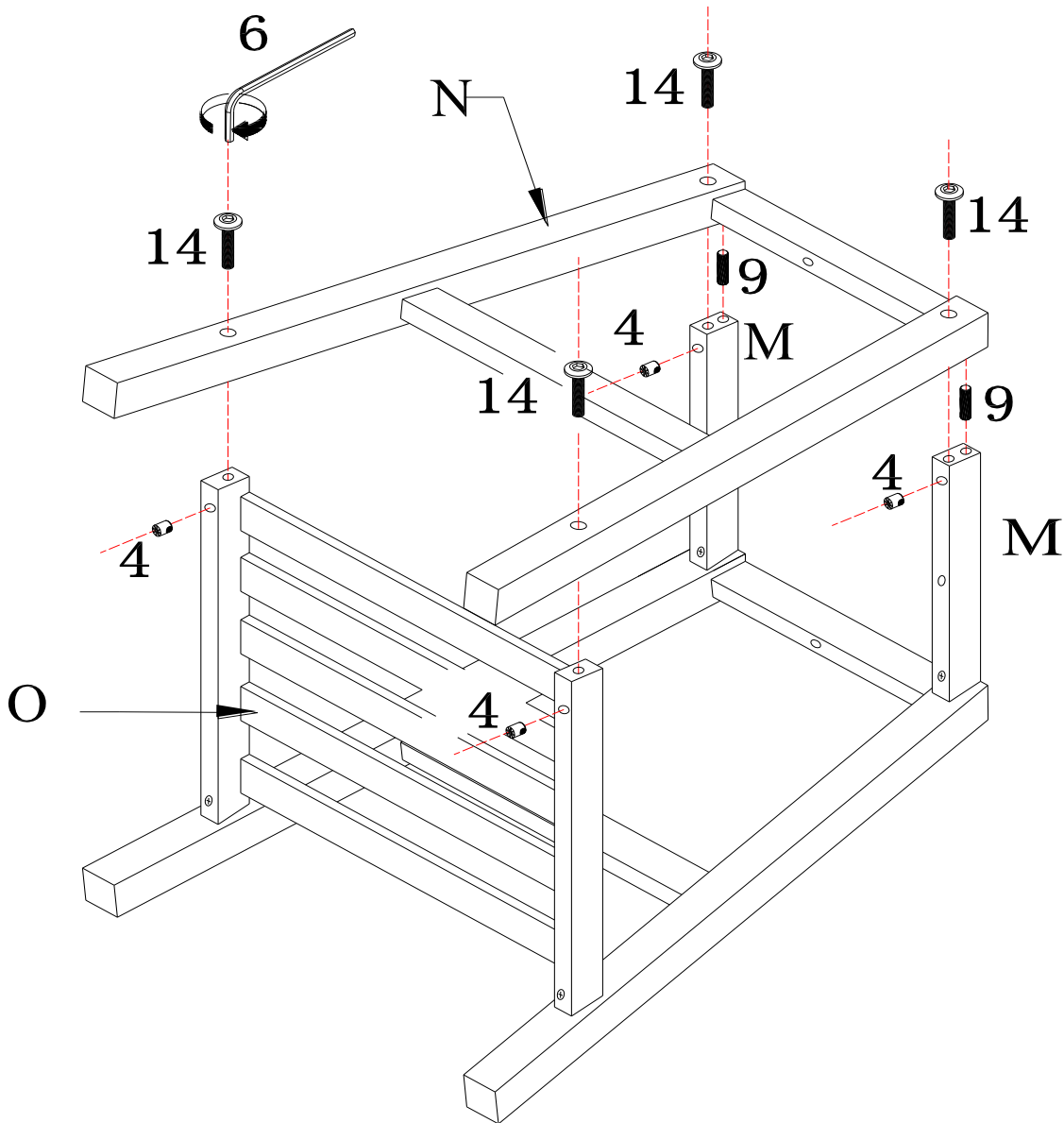
STEP 9

Insert wood dowels (9) into upper rails (M).

Insert barrel nuts (4) into upper rails (M) and shelf (O).

Attach side panel (N) to shelf (O) and upper rails (M) with hex socket head bolts (14).

Use Allen key (6) to tighten bolts.



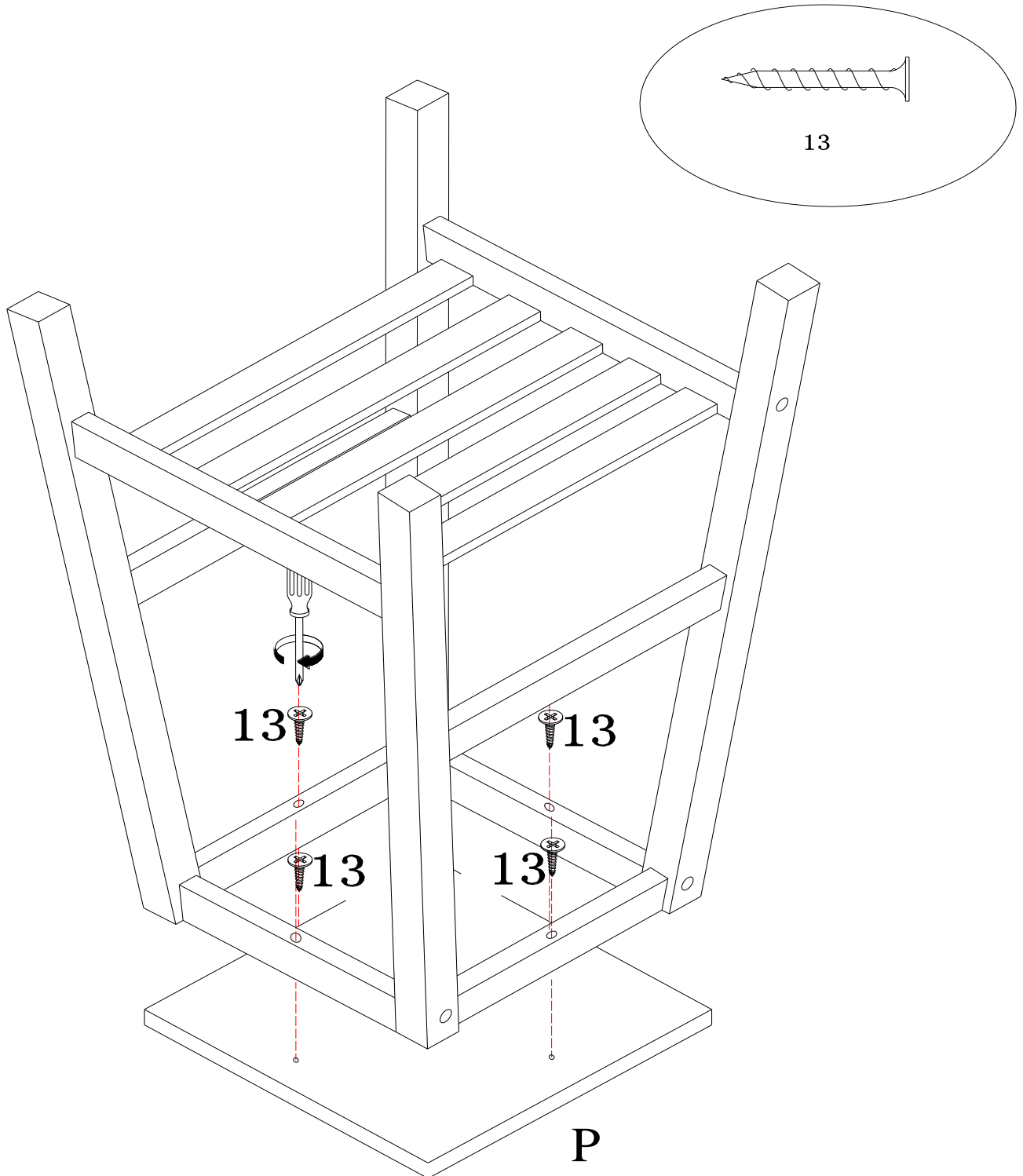
KITCHEN ISLAND SET

DA2081

STEP 10

Fasten seat board (P) to the assembled unit with flat head screws (13).
Use a Phillips head screw driver (not included) to tighten the screws.

NOTE : Repeat steps 8-10 to assemble the other stool.

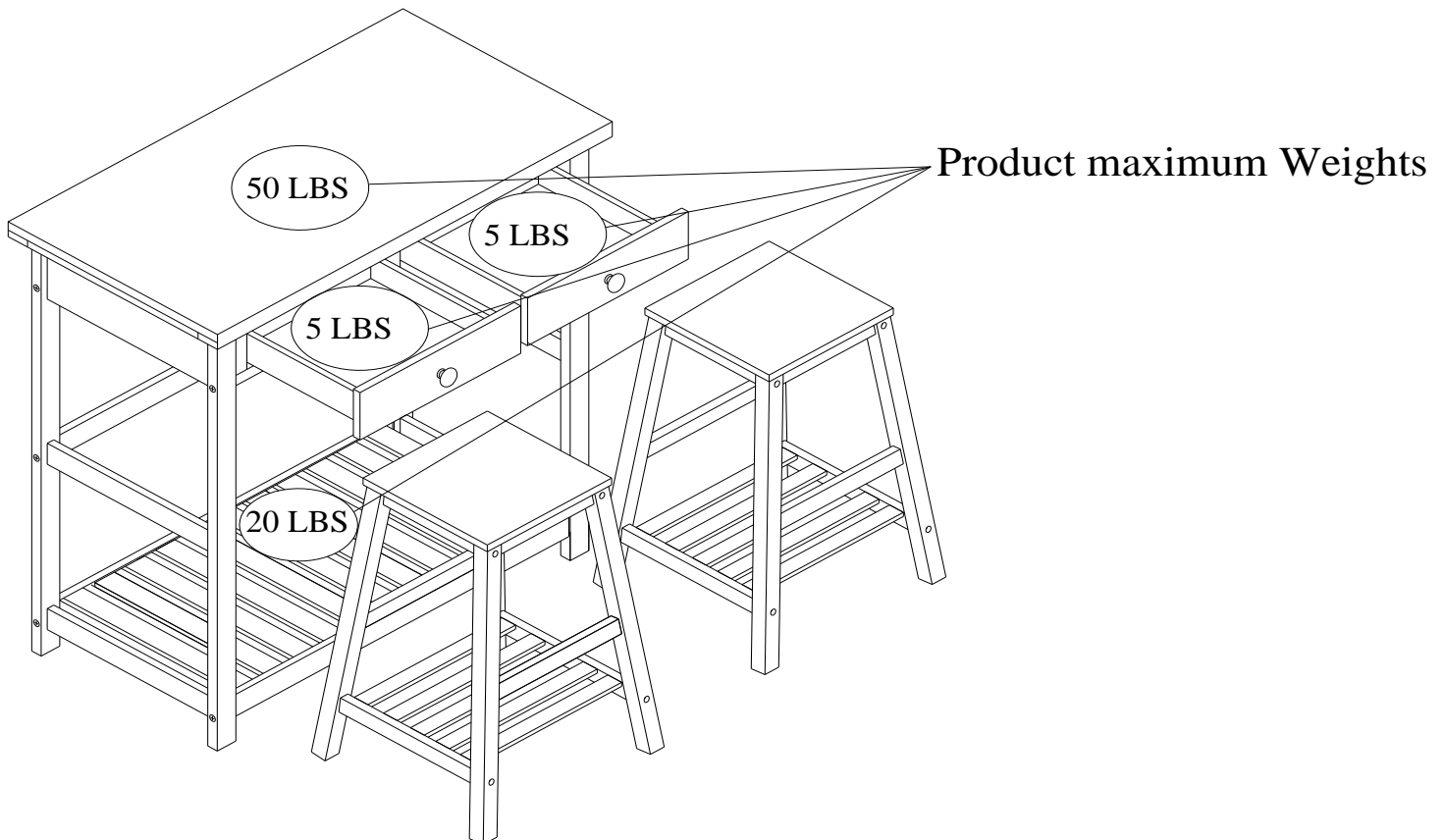


KITCHEN ISLAND SET

DA2081



CAUTION: "This unit is intended for use only with the products and/or maximum weights indicated. Use with other products and/or products heavier than the maximum weights indicated may result in instability causing possible injury."



That's it ! You've finished assembling your kitchen island set.



WARNINGS:

- * **DO NOT** place any item on the kitchen island with dimensions exceeding those of the top panel.
- * **DO NOT** use the kitchen island as a seating surface.
- * **DO NOT** place any type of electrical appliance on the unit.
- * **DO NOT** place any pots or pans containing hot liquids on the unit.

DO NOT RETURN PRODUCT TO THE STORE.

If a part is missing or damaged, contact our customer service department. We will replace the part **FREE** of charge.



Tel #: 1-800-295-1980
E-Mail: das@dorel.com
Fax #: 514-353-7819

Customer Service

PLEASE DO NOT RETURN THIS PRODUCT TO THE STORE

PLEASE CONTACT CUSTOMER SERVICE REPRESENTATIVES AT THE FOLLOWING NUMBERS SHOULD THERE BE ANY MISSING OR DEFECTIVE PART(S).

Customer Service Phone Number 1-800- Customer Service Fax Number 514-353-7819	Email: das@dorel.com
--	---

Request Date:

Name:

Shipping Address:

Street & Number:

City & State:

Zip Code:

Day Time Phone Number:
(including area code)

Date & Place of Purchase:

Part(s) description and quantity: (Please be sure to list model number or SKN number)

Customer Service Representative Mailing Address:

Customer Service Department No. 413, 12345 Albert-Hudon Boulevard, Suite 100, Montreal, QC, Canada, H1G 3L1