

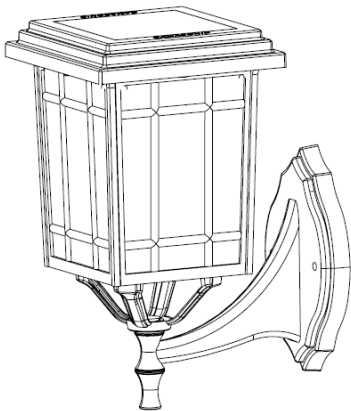


# PRAIRIE SOLAR LAMP w/changeable mounting options

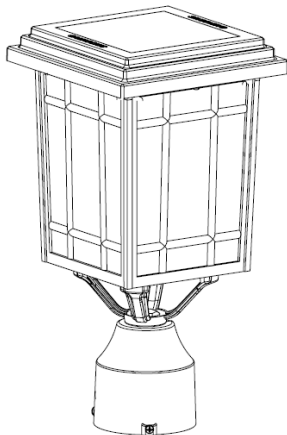
US Patent # 7172307

## Instruction Manual

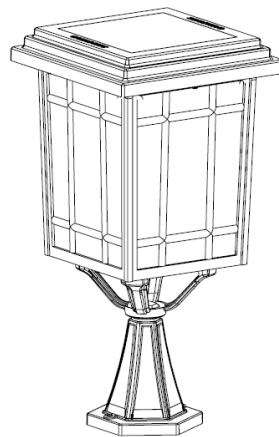
**Model: GS-114FPW**



GS-114W



GS-114F



GS-114P

## **Introduction**

Thank you for your purchase. **GAMA SONIC®** solar charged accent lighting eliminates the problems associated with most solar lighting available today. **GAMA SONIC®** solar charged lights are brighter and last all night with a typical solar charge. Unique design, superior light output and numerous installation options confirm the outstanding value of our product.

**GAMA SONIC®** has been recognized as a worldwide leader in the lighting industry for over 20 years. The company also offers unique multi-purpose rechargeable products that range from party lights to emergency lighting products.

For technical assistance and more information call our Toll Free number:

800-835-4113 (only within the US) or visit our website at: [www.gamasonic.com](http://www.gamasonic.com).

Please read the instruction manual carefully to obtain the best results from your purchase.

Tools that are needed but not supplied with the solar post lamps are: a screw driver, power drill.

### **Solar Lamp Location:**

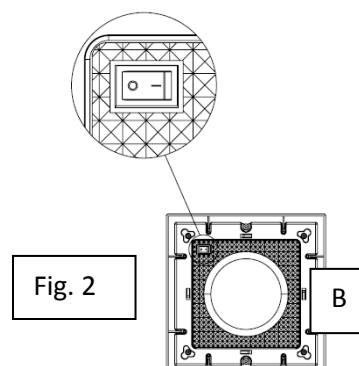
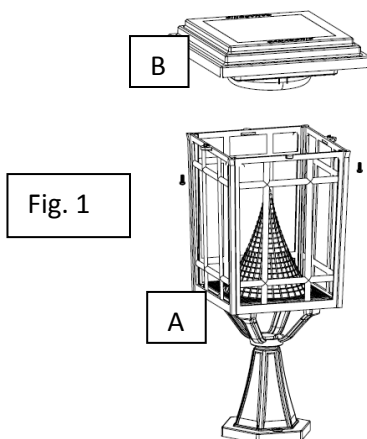
For optimum light duration throughout the night, it is very important to place your solar lamp in a spot where it will receive the maximum amount of direct sunlight throughout the day.

#### **NOTE:**

**For best results, the solar lamp post must be charged for two sunny days in the OFF (O) position.**

### **Operation Instructions**

1. Remove part (B) from part (A) by unscrewing the 2 screw caps as shown in Fig. 1. Turn the operation switch (Fig. 2) to ON (I) position, the Solar Lamp will automatically operate dusk to dawn.
2. Reattach part (B) to part (A) and secure with the 2 screw caps.



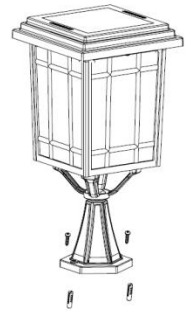
## Installation Instructions

### GS-114P (Fig. 3)

1. Use a drill to make two holes in the desired surface,
2. Place the white screw anchors into the drill holes, place the lamp in line with the holes and screw down with the provided screws.

**Note:** There are specific types of screws for specific surfaces. If unsure of the appropriate type of screw to use on your desired surface please consult a professional.

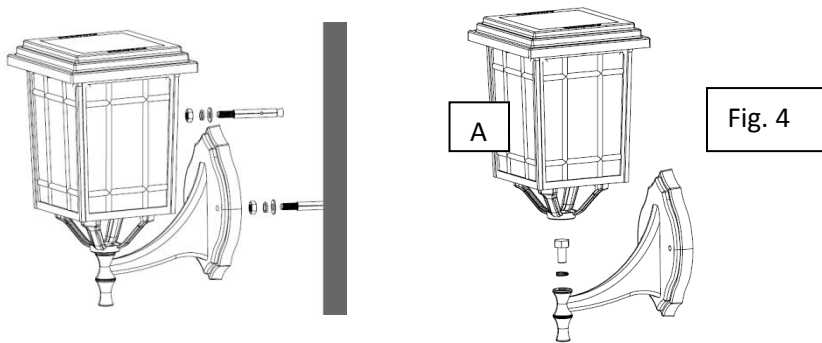
Fig. 3



### GS-114W (Fig. 4)

**NOTE:** For best results locate your solar lamp facing the south.

1. Use electric drill to make two holes in the wall, place provided anchors into holes, place the wall bracket in line with the holes and screw the provided screws.
2. Assembly part (A) into the wall bracket by turning it using the screw provided.

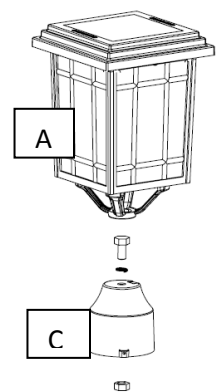


### GS-114F (Fig. 5)

**NOTE:** If you are replacing an existing gas/electric post light, you must consult a certified technician to cancel them before installation.

1. Position Part (C) on top of the existing 3" post and tighten it using the screws provided.
2. Screw in part (A) into part (C) using the screw provided.

Fig. 5

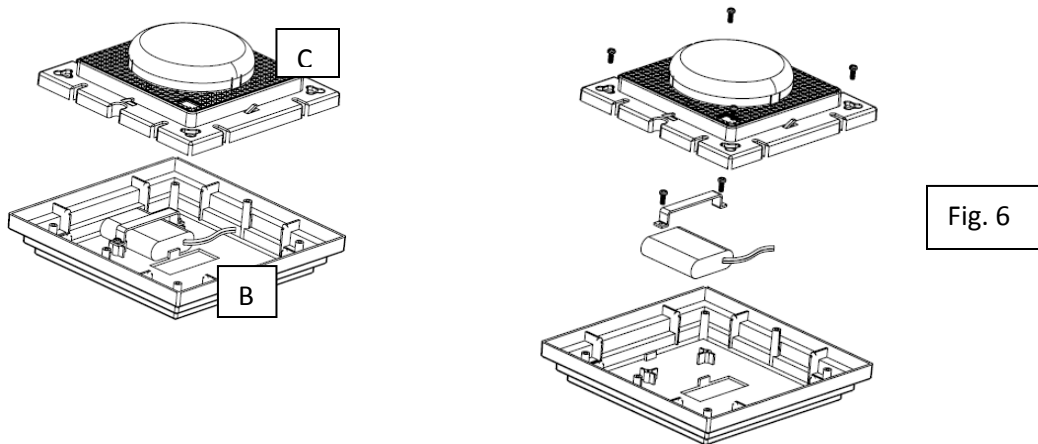


### Replacing the Batteries (Fig. 6)

(After several years of use, the battery may need replacing).

1. Unscrew the two screw caps and detach part (C) from part (B). Make sure the ON/OFF switch is in the OFF (O) position.
2. Unscrew the battery compartment screws.

3. Unclip the connector and remove the old battery. Make sure the new battery is high quality 3.6V/800mAh Ni-Cd Rechargeable battery with connector.
4. Clip on new battery and install into the battery compartment. Screw back battery compartment screw.
5. Reattach part (C) to part (B) and secure with the 2 screw caps.



**WARNING:** Do not dispose of Ni-Cd battery in the regular trash, municipal waste stream or by fire as batteries may leak or explode. Do not open, short circuit, or mutilate batteries as injury may occur. Preserve our environment by recycling Ni-Cd batteries or disposing of them in accordance with local, State and federal regulations. Do not mix old and new batteries.

### **Maintenance**

Clean the solar panels regularly with a damp towel to guarantee optimum performance. Do not use any type of solvent for cleaning and be careful not to put too much pressure on the solar panels while cleaning.

### **Trouble Shooting**

If your solar charged light does not come on at dusk despite observance of all the instructions, please try the following steps:

1. Make sure that the solar lamp is not being affected by any other light source.
2. Ensure the solar lamp is not positioned in the shade during the day.
3. Make sure the switch in the lamp head is the On ( | ) position.
4. Check that the batteries are installed correctly.

**NOTE:** The performance of the solar lamp will vary with the time of year. It will deliver more light when it has had a full day in the sun rather than a day in overcast weather.

**WINTERTIME TIPS:** For optimal performance, be sure to remove any snow or debris accumulation from solar panel(s). A solar panel free of debris will charge the batteries much more efficiently.

**WARNING:** Please keep out of reach of children.

