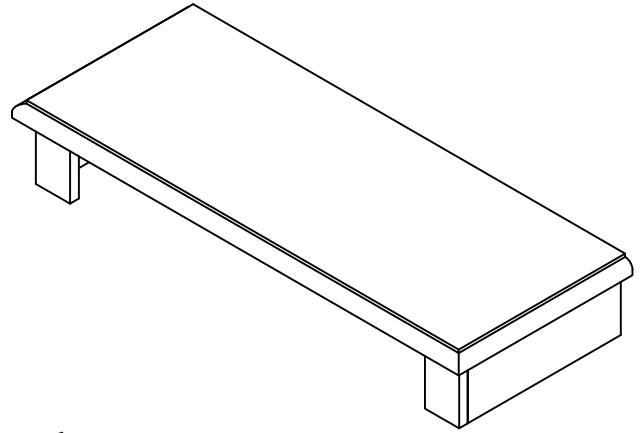


88 5520 00

Aspen Media Hutch



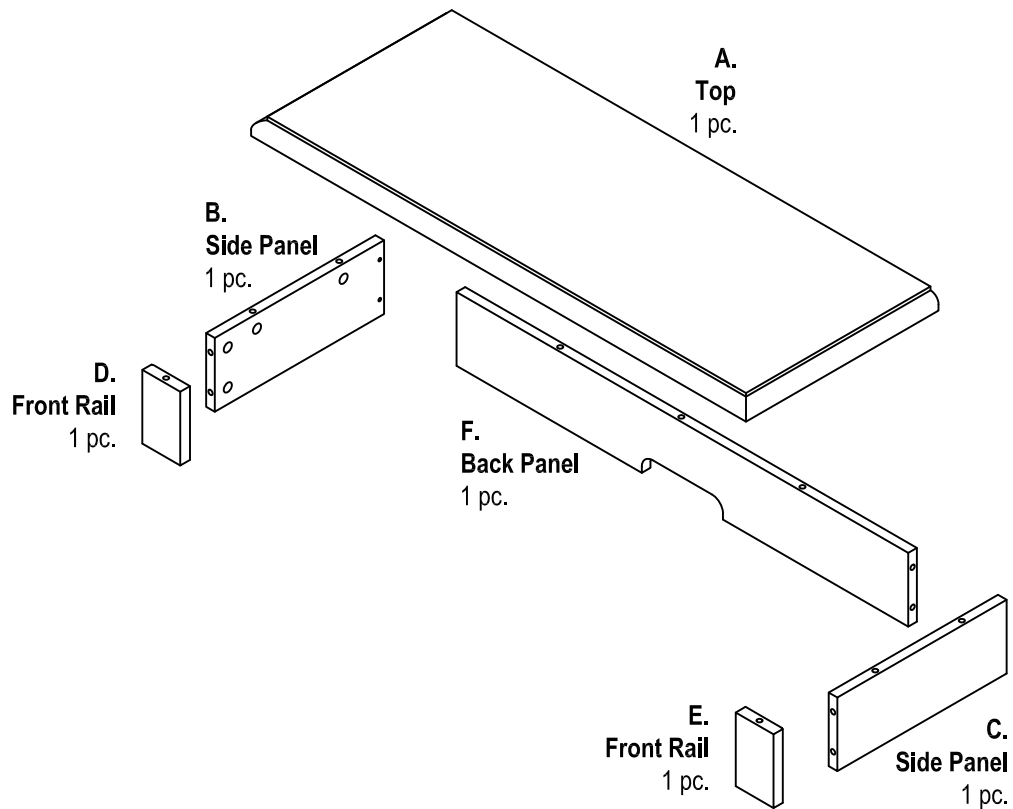
Home Styles

IMPORTANT NOTE

Carefully remove all the parts from the carton and put them individually on a soft cloth to prevent scratches or other damages occurring to the parts.

We have taken great care in the design of this product and request that you carefully and strictly follow our assembly instructions to ensure a completed product as it was designed.

Part List



Hardware List



Cam Lock Screw
17 pcs. (+1 extra)



Cam Lock
17 pcs. (+1 extra)

Tools Required For Assembly : Phillips screwdriver

Home Styles Consumer Assistance: www.homestyles-furniture.com,
servicedesk@homestyles-furniture.com, 888-680-7460, 877-831-0319

Assembly Instructions 2/3

IMPORTANT

* Use a soft cloth between these parts and the floor.

STEP 1

Insert Cam Lock Screws into the pre-drilled holes of Top (A), Side Panels (B) and (C) and Front Rails (D) and (E).

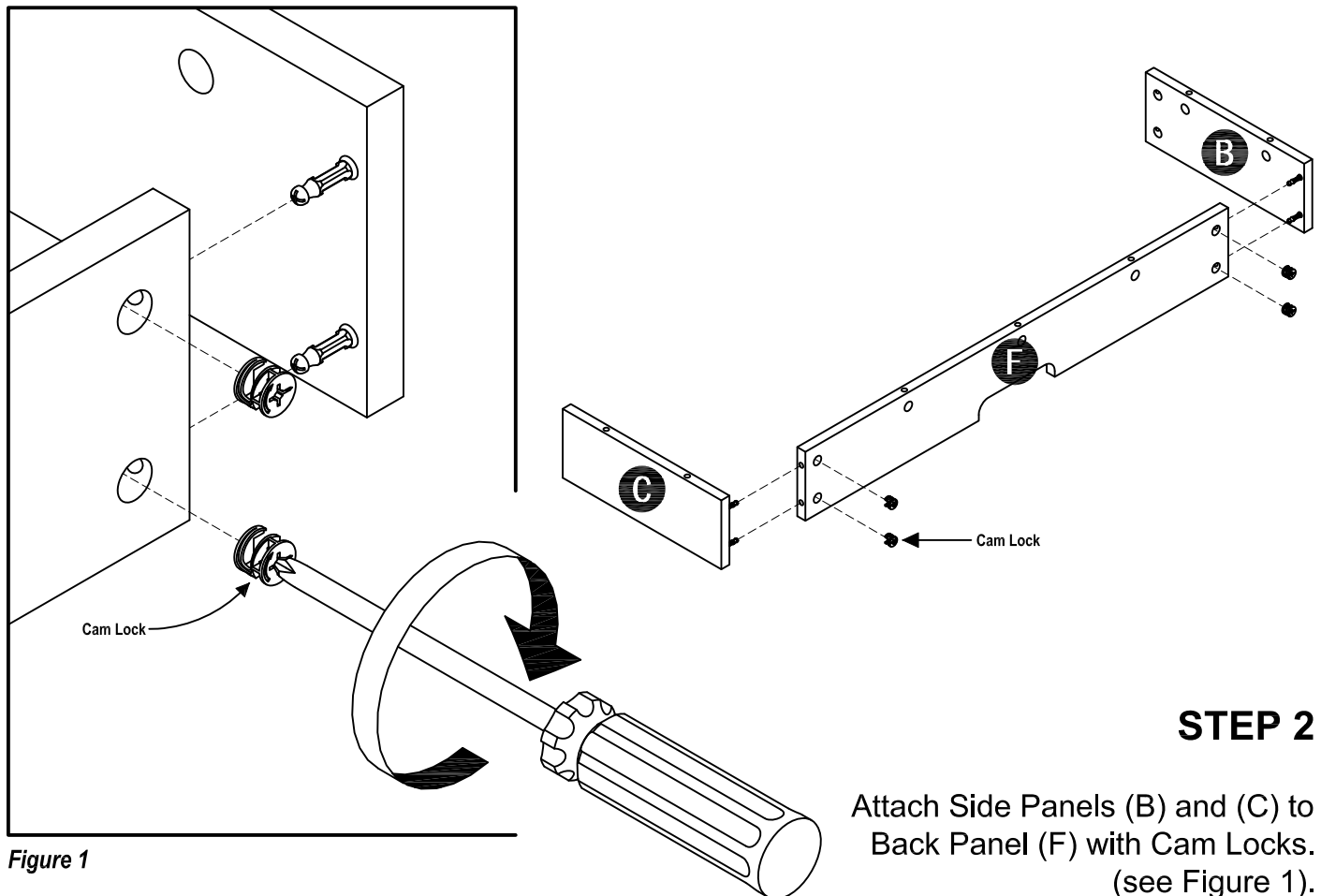
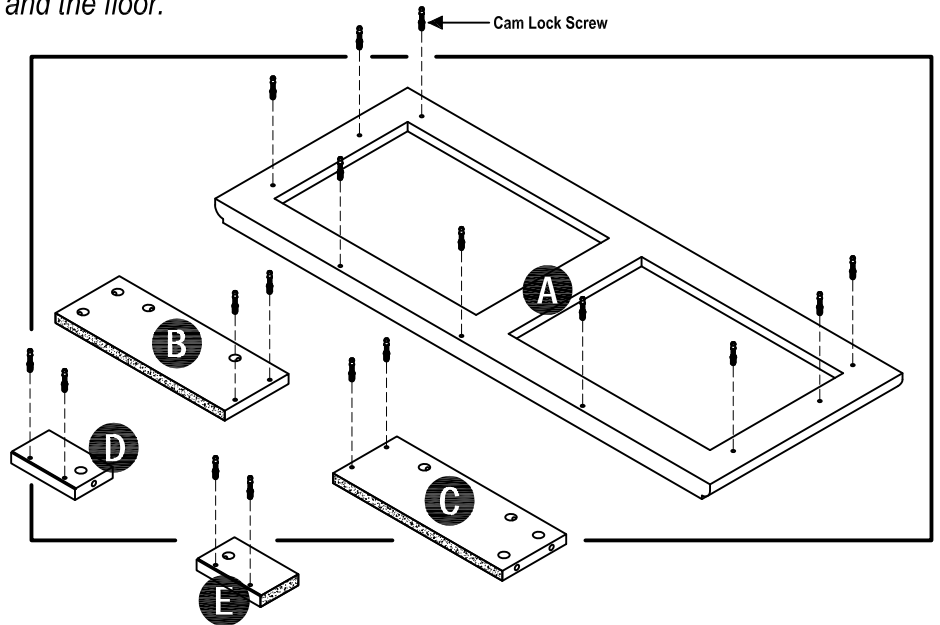


Figure 1

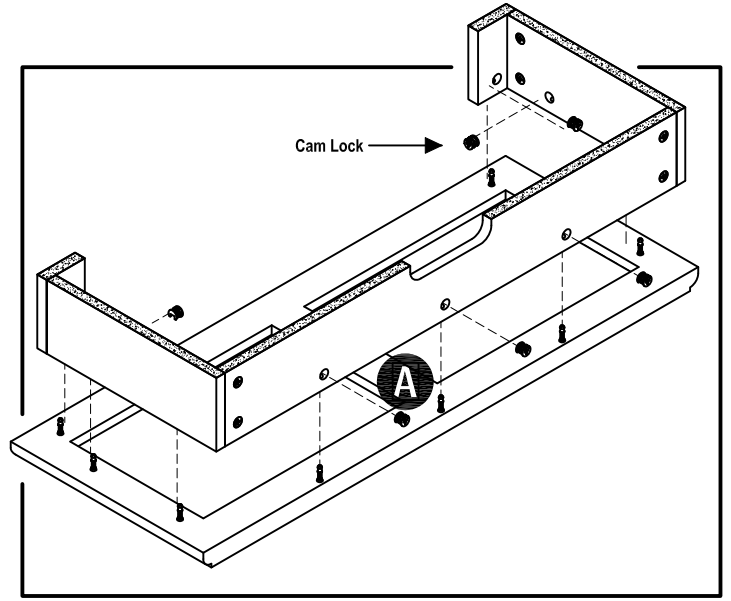
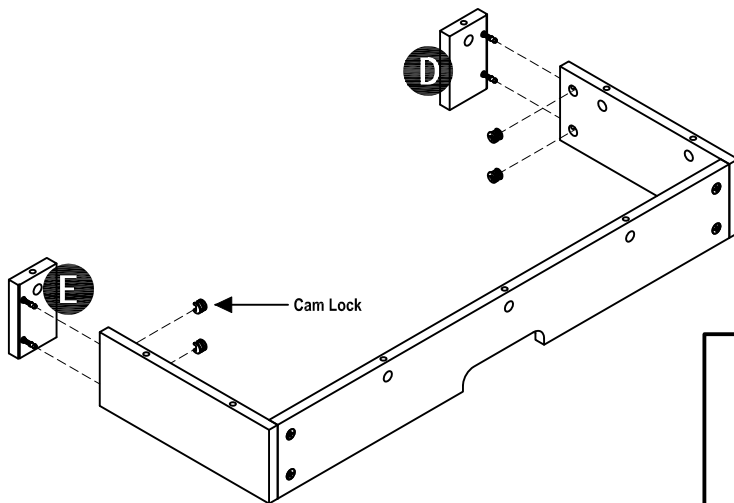
STEP 2

Attach Side Panels (B) and (C) to Back Panel (F) with Cam Locks. (see Figure 1).

Assembly Instructions 3/3

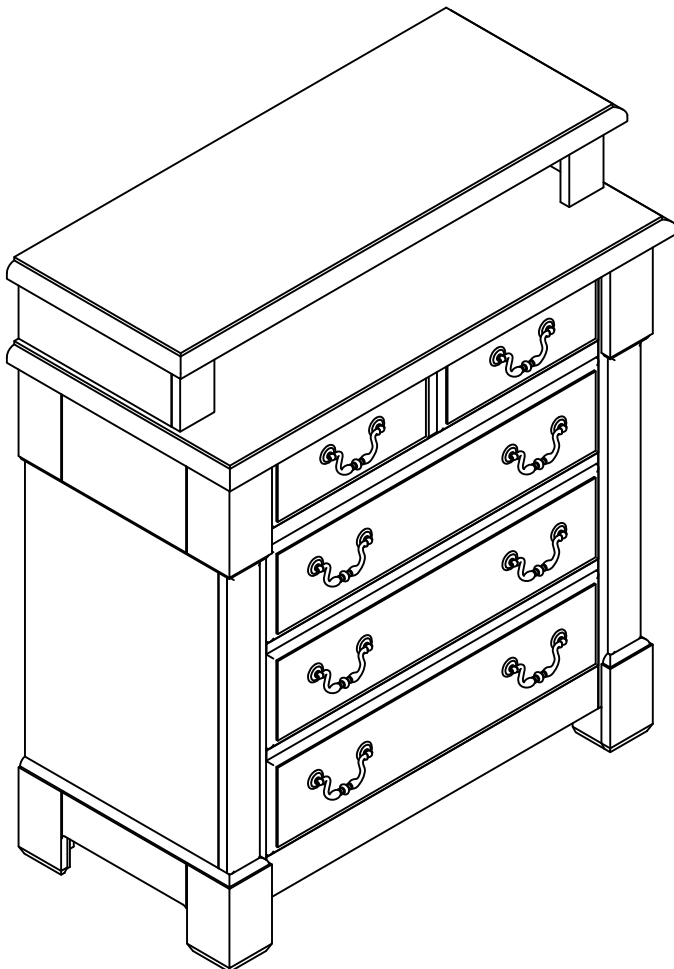
STEP 3

Attach Front Rails (D) and (E) to unit with Cam Locks.



STEP 4

Turn the Top (A) upside down on a soft cloth.
Place unit onto Top (A) with Cam Locks.



STEP 5

Place the unit on the top of Aspen Chest (carton 88 5520 41)

VERY IMPORTANT !!

CARE INSTRUCTIONS

NEVER

USE GLASS CLEANERS ON FINISHED FURNITURE. AMMONIA WILL CHEMICALLY ATTACK THE LACQUER.

NEVER

ALLOW LIQUIDS OF ANY KIND TO REMAIN ON THE FURNITURE. ABSORPTION CAUSES WOOD TO WARP AND SPLIT AND FINISHES TO DELAMINATE.

DO NOT WRITE DIRECTLY ON SURFACE.



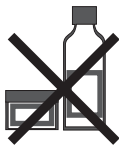
PREVENT MARKING

DO NOT PLACE IN DIRECT SUNLIGHT.



PREVENT FADING

DO NOT USE COMMERCIAL WAXES AND POLISHES.



PREVENT YELLOWING

DO NOT PLACE HOT OBJECTS ON SURFACE.



PREVENT FINISH DAMAGE

DO NOT USE RUBBER BASED PLACE MATS.



PREVENT DISCOLORING

TO CLEAN

USE A SOFT CLOTH MOISTENED IN LEMON OIL POLISH OR LUKEWARM SOAP AND WATER, THEN BUFF WITH A DRY CLEAN CLOTH.



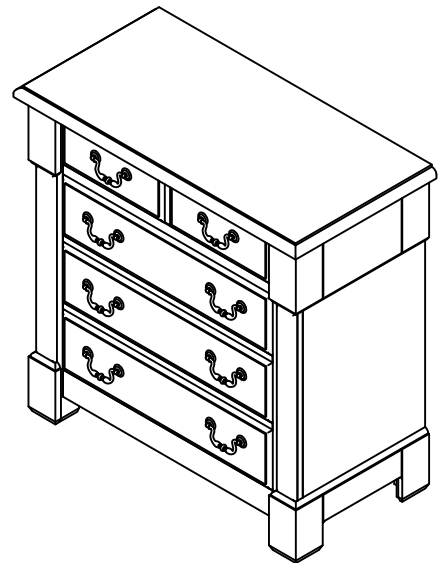
Home Styles will provide replacements free of charge for missing or damaged hardware or parts within 30 days of purchase. Digital images of the defective parts may be required. If this product was not purchased from an authorized retail affiliate, Home Styles is under no obligation to provide replacement parts. Parts are not available for fully assembled items nor are parts available for sale. Replacements for missing or damaged hardware or parts may be requested at:

www.homestyles-furniture.com/customer_service

Home Styles Consumer Assistance: www.homestyles-furniture.com,
servicedesk@homestyles-furniture.com, 888-680-7460, 877-831-0319

88 5520 41

The Aspen Chest



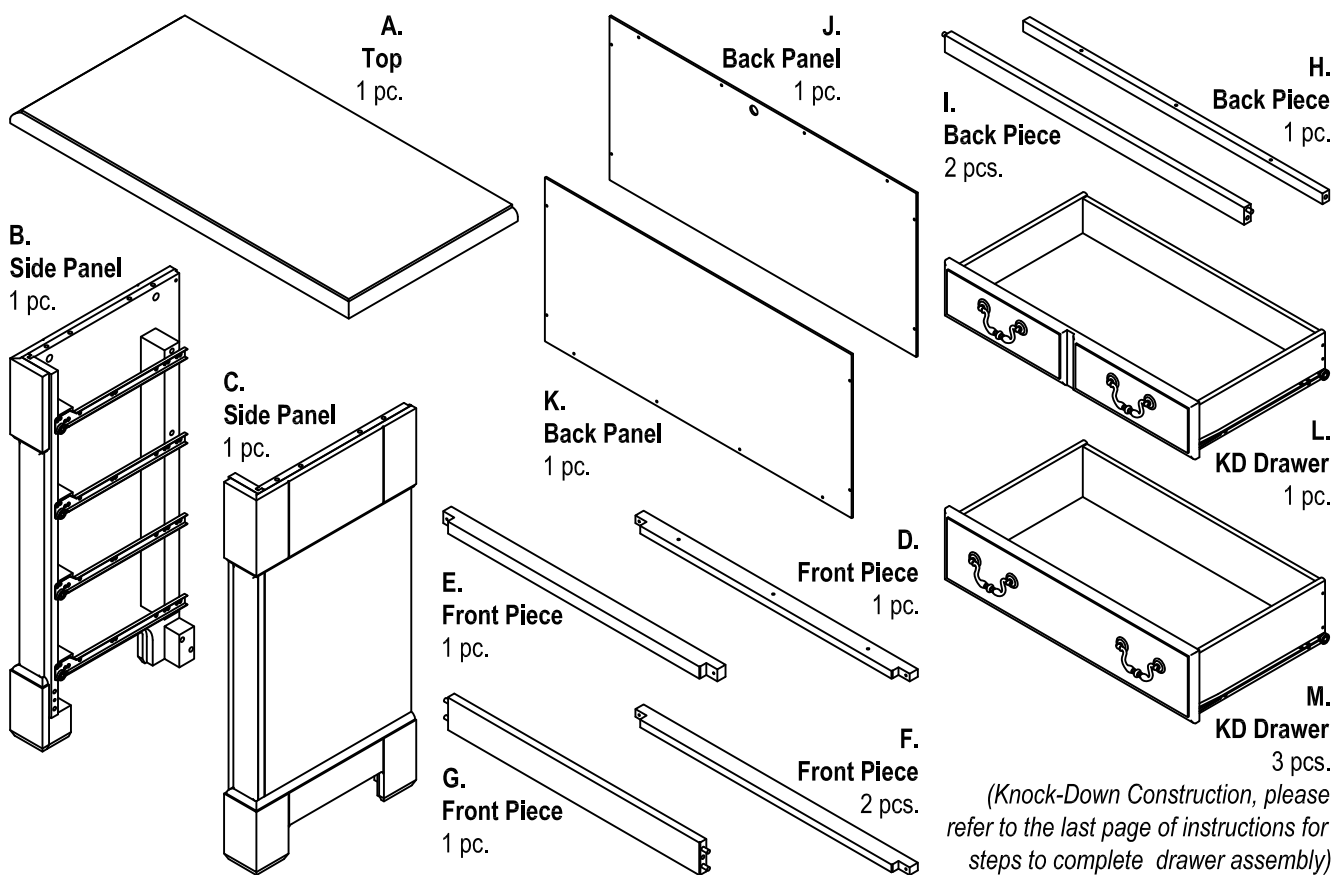
IMPORTANT NOTE

Carefully remove all the parts from the carton and put them individually on a soft cloth to prevent scratches or other damages occurring to the parts.

We have taken great care in the design of this product and request that you carefully and strictly follow our assembly instructions to ensure a completed product as it was designed.

Home Styles

Part List



Hardware List



Cam Lock Screw
12 pcs. (+1 extra)



Cam Lock
12 pcs. (+1 extra)



1 1/2" Round Head Screw
1 pc. (+1 extra)



1 1/4" Round Head Screw
8 pcs. (+1 extra)



1" Round Head Screw
6 pcs. (+1 extra)



1/2" Round Head Screw
21 pcs. (+1 extra)



1 1/4" Flat Head Screw
32 pcs. (+1 extra)



3/4" Flat Head Screw
24 pcs. (+1 extra)



Handle
8 pcs.



Machine Screw
16 pcs.



Anchor
1 pc. (+1 extra)



Flat Washer
6 pcs. (+1 extra)



Tipping Restraint
1 pc.



Wooden Dowel
4 pcs. (+1 extra)

Tools Required For Assembly : Phillips screwdriver

Tools Recommended For Assembly : Level

Home Styles Consumer Assistance: www.homestyles-furniture.com,
servicedesk@homestyles-furniture.com, 888-680-7460, 877-831-0319

Assembly Instructions 2/9

IMPORTANT

- * Do not tighten up all the screws until each part is properly assembled.
- * Use a soft cloth between these parts and the floor.
- * After assembly, item must be level to work properly.
Use the included adjustable levellers to level.

STEP 1

Insert Cam Lock Screws into the pre-drilled holes of Top (A), Side Panel (B) and (C).

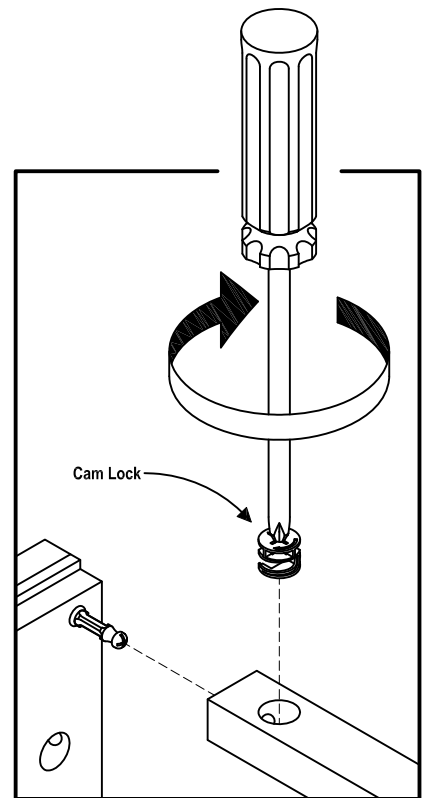
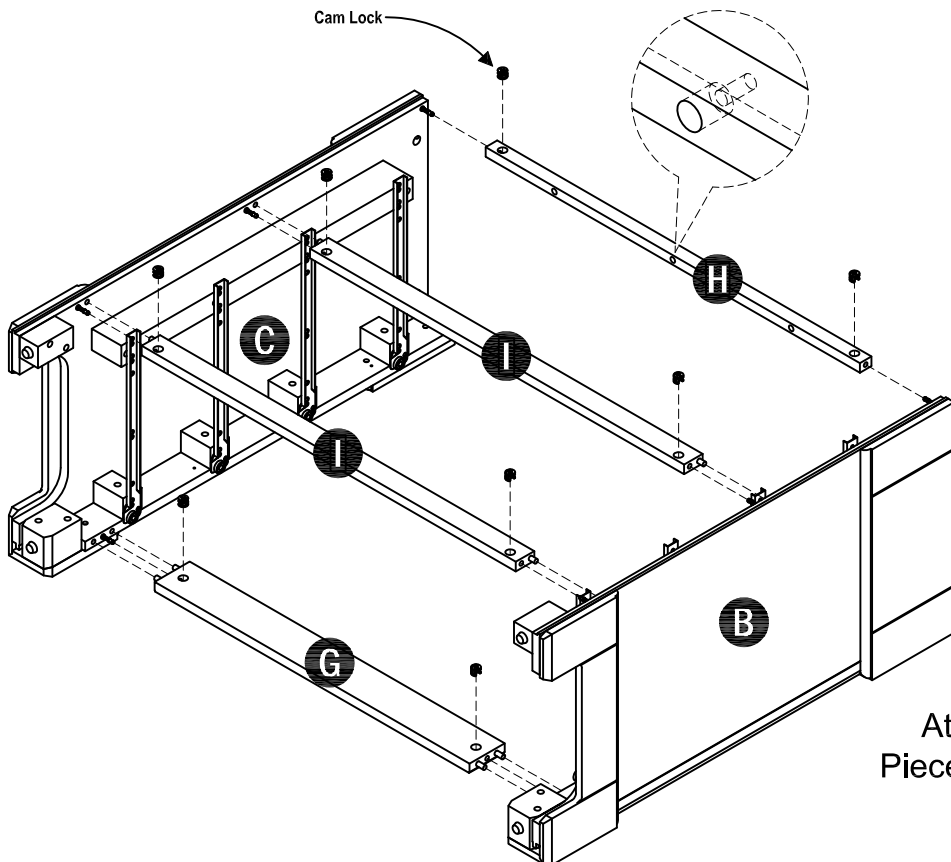
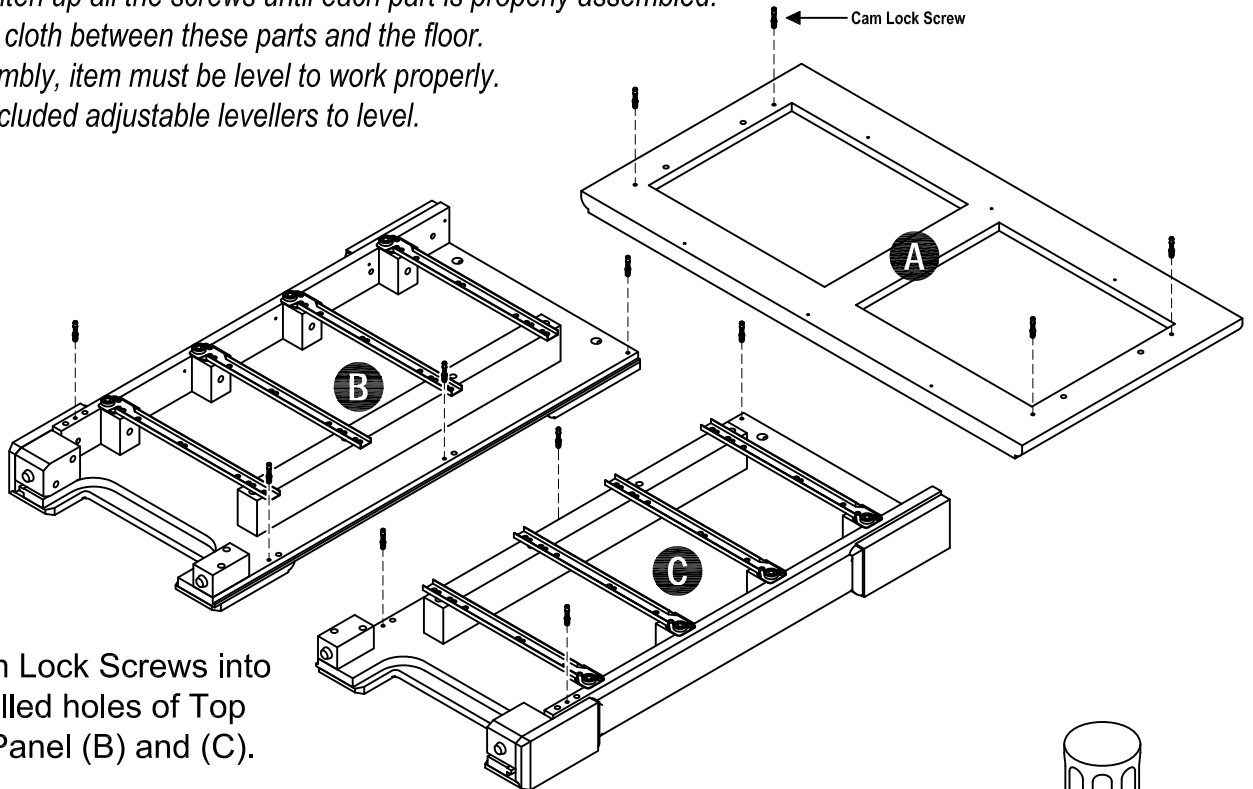


Figure 1

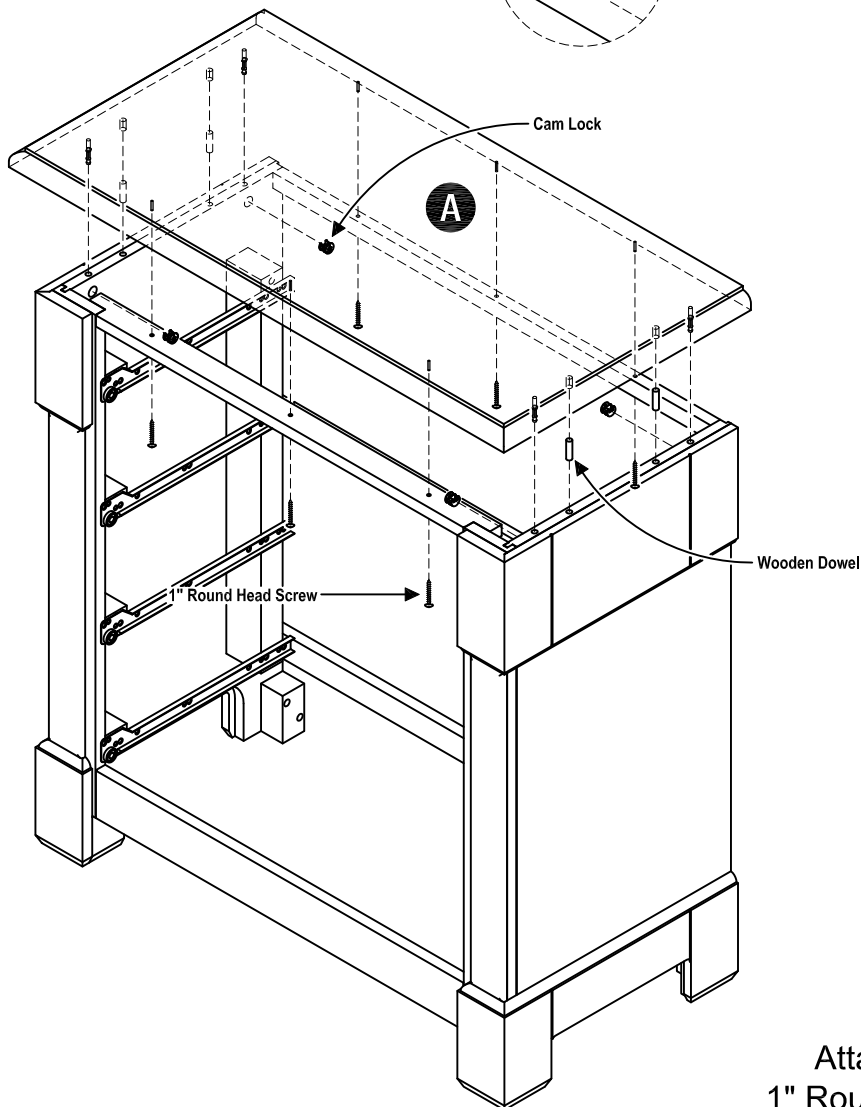
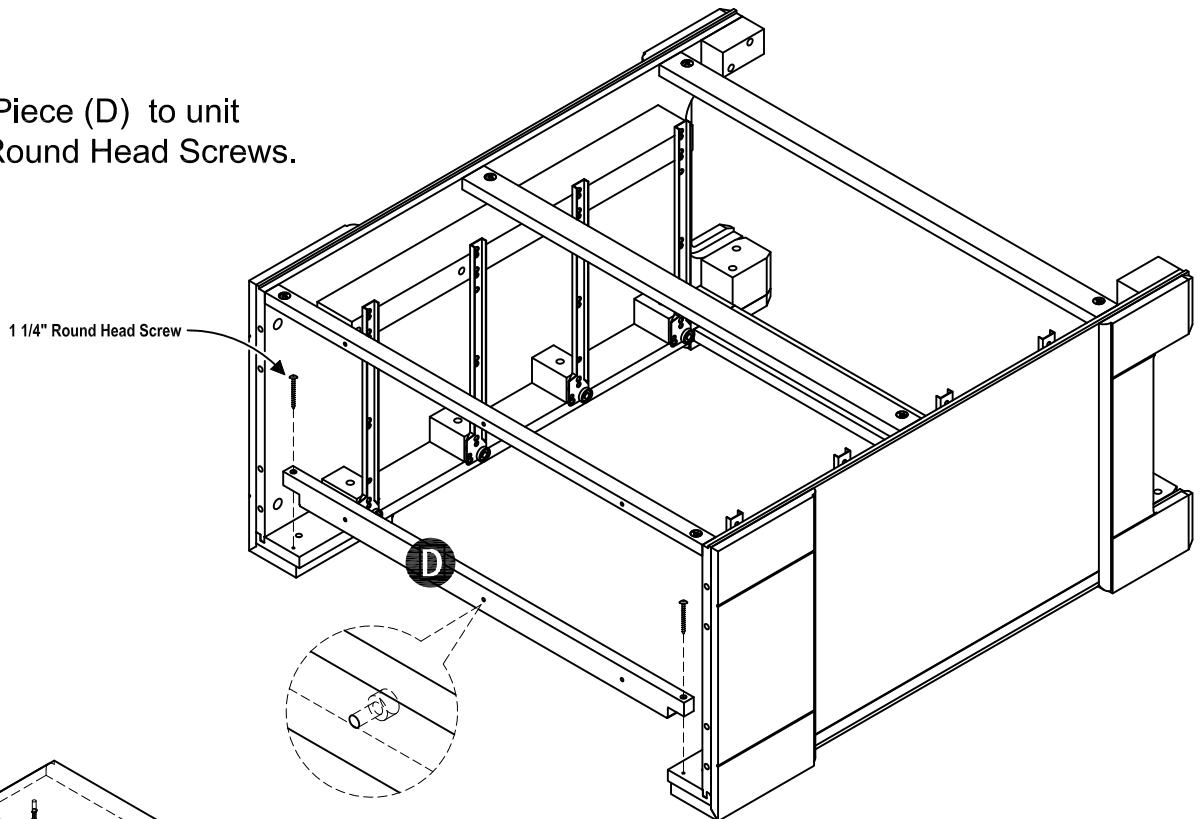
STEP 2

Attach Front Piece (G) and Back Pieces (H) and (I) to Side Panel (B) and (C) with Cam Locks. (see Figure 1)

Assembly Instructions 3/9

STEP 3

Attach Front Piece (D) to unit using 1 1/4" Round Head Screws.



STEP 4

Attach Top (A) to unit using Cam Locks, 1" Round Head Screw and Wooden Dowel.

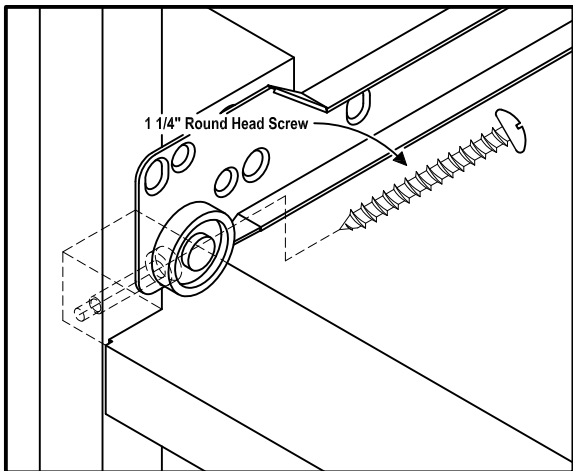
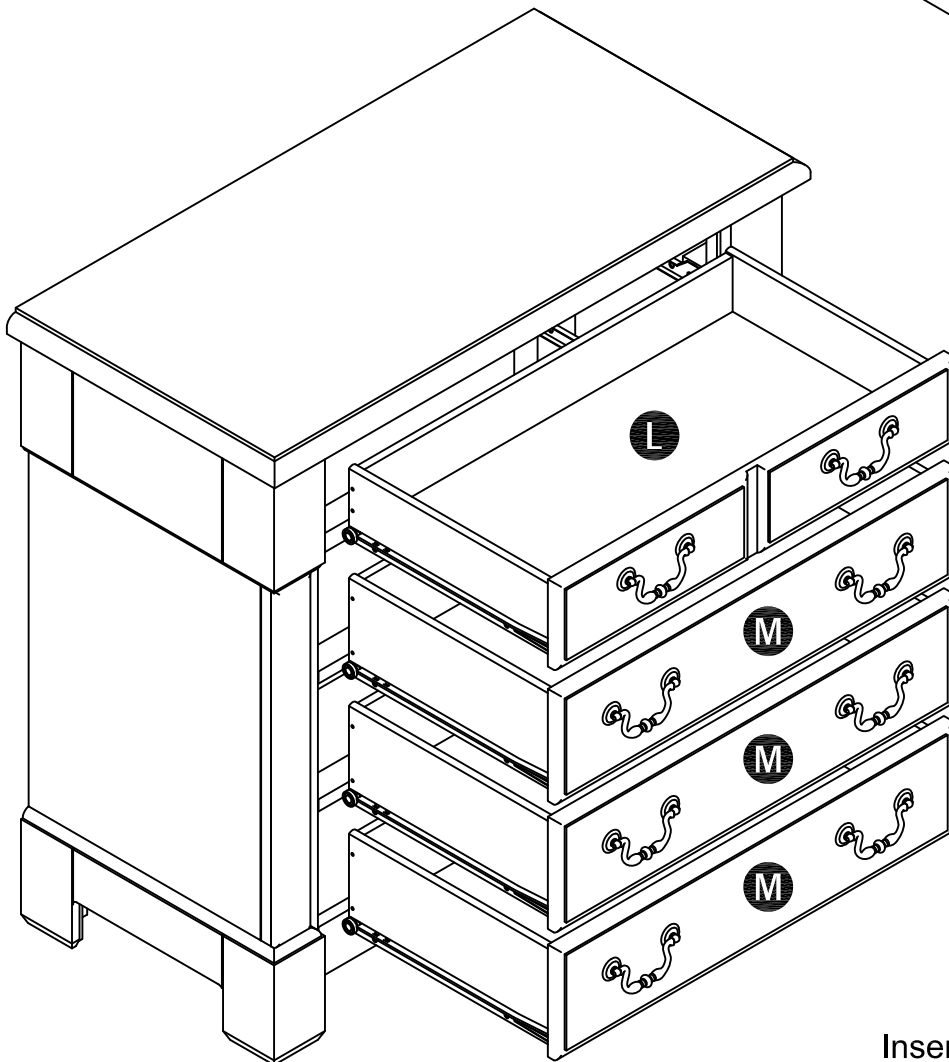
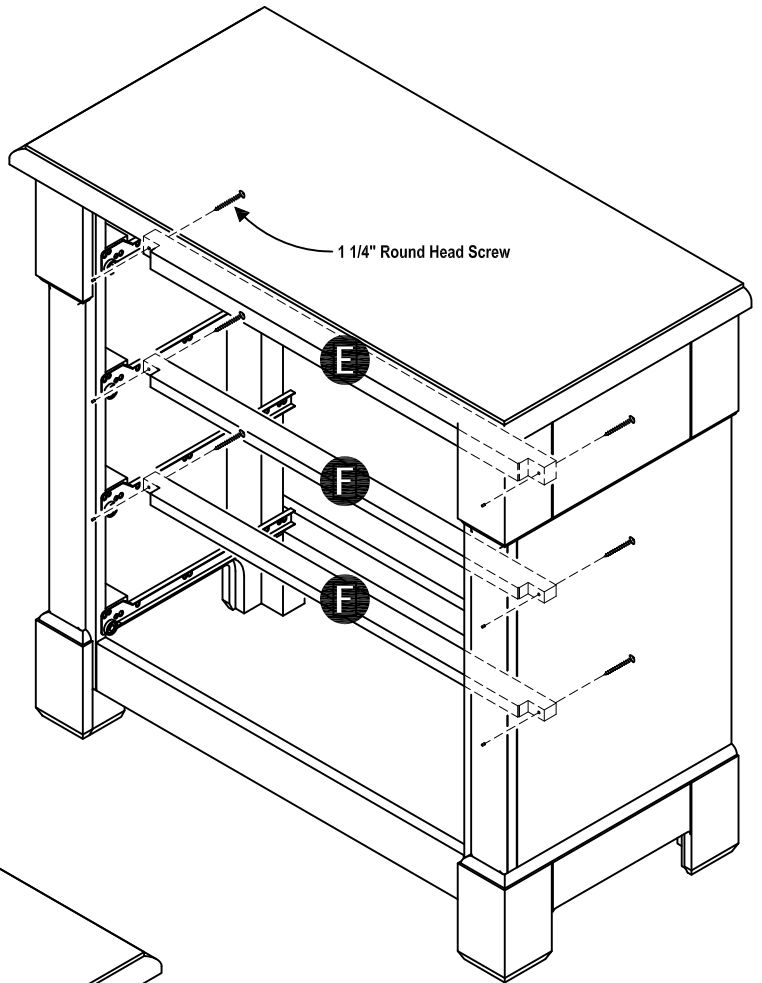


Figure 2

STEP 5

Attach Front Pieces (E) and (F) to unit using 1 1/4" Round Head Screws.
(see Figure 2)



STEP 6

Insert drawers (L) and (M) into unit.

Assembly Instructions 5/9

STEP 7

To level the unit, adjust the adjustable levelers on the bottom.

Note: Unit must be level to work properly.
(see Figure 3)

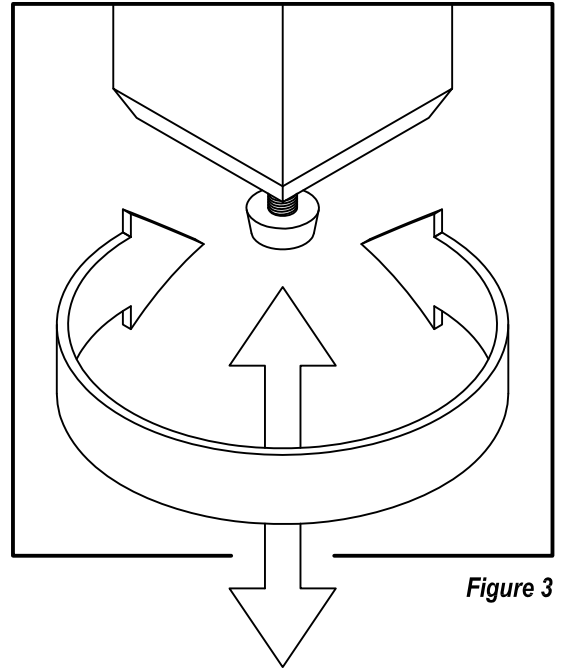
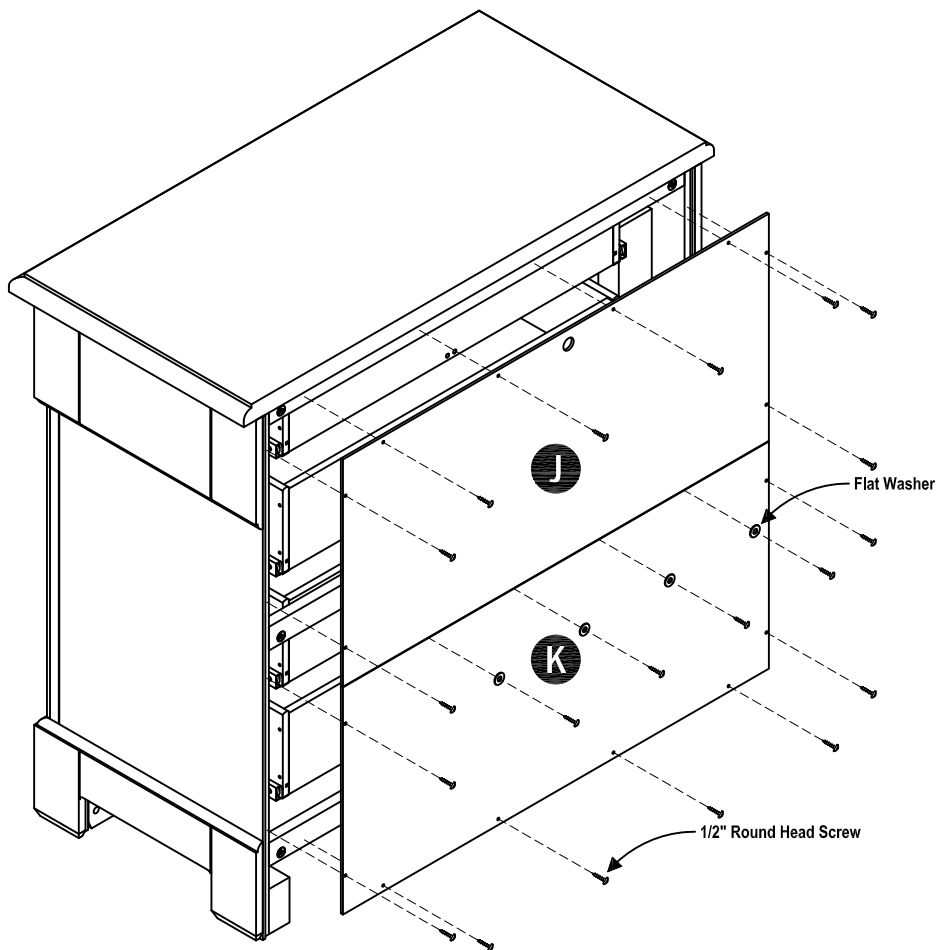


Figure 3

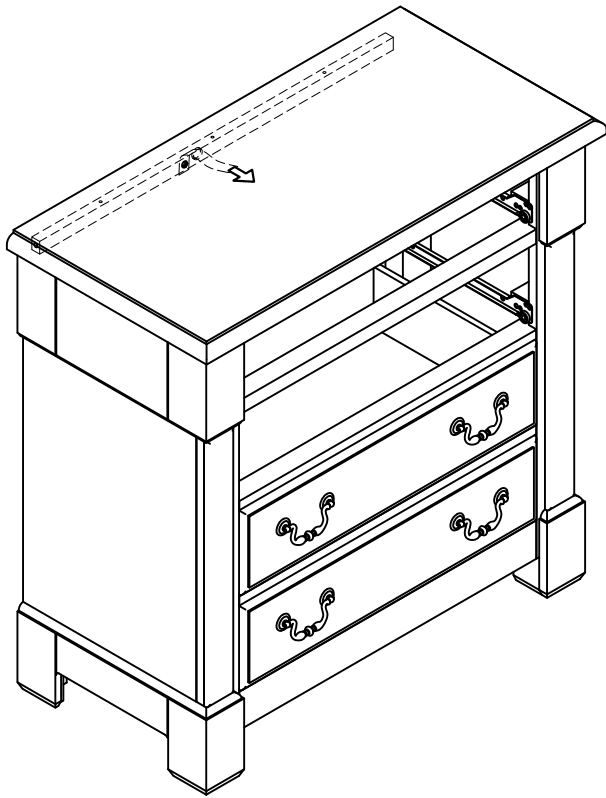


STEP 8

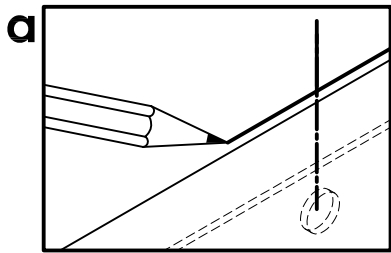
Attach Back Panels (J) and (K) to unit using 1/2" Round Head Screws and Flat Washers. **Note: Please make sure unit is level before tightening these screws.**

ATTENTION!

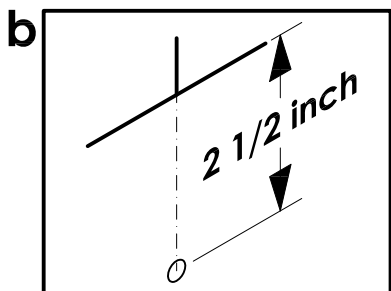
For safety reasons, please follow these instructions to prevent the unit from tipping over.



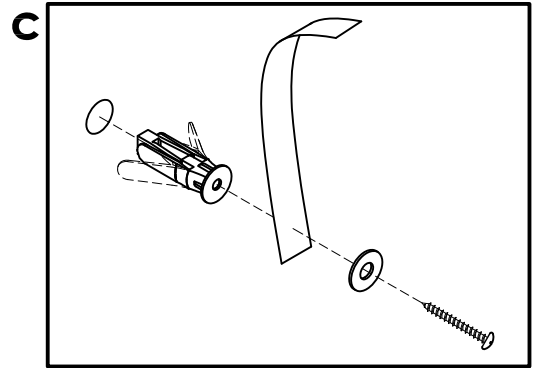
Remove Drawers (L) and (M) from unit.



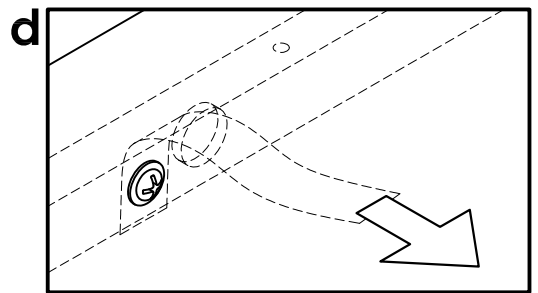
Place the unit on the wall at desired location. Mark with pencil to show the height and center of hole at Back Panel (J).



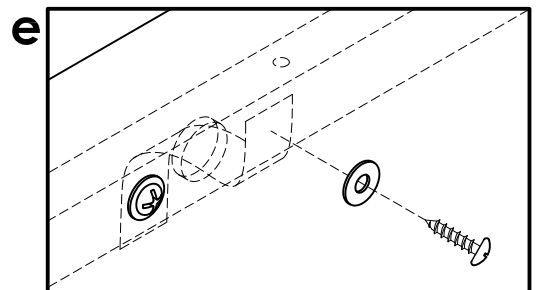
Move unit. Drill a 1/2" hole in the wall, 2 1/2 inches down and directly below the mark.



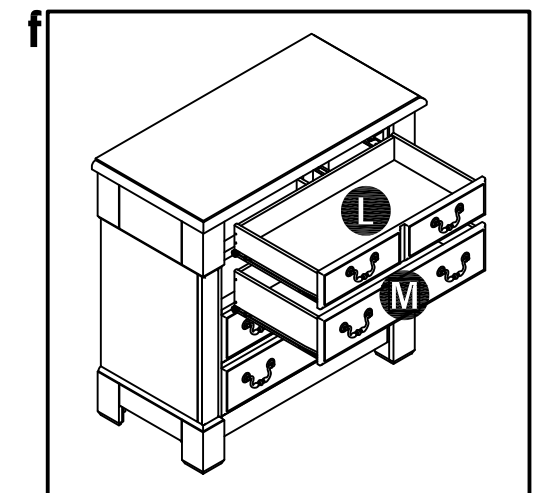
Attach Tipping Restraint to the wall using 1 1/2" Round Head Screw, Flat Washer & Anchor.



Insert Tipping Restraint to unit through the hole of Back Panel (F).

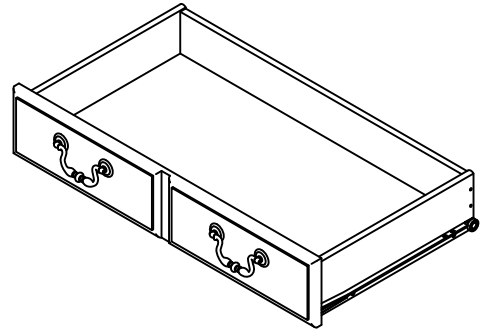


Screw Tipping Restraint to unit using 1/2" Round Head Screw & Flat Washer.



Insert drawers (L) and (M) into unit.

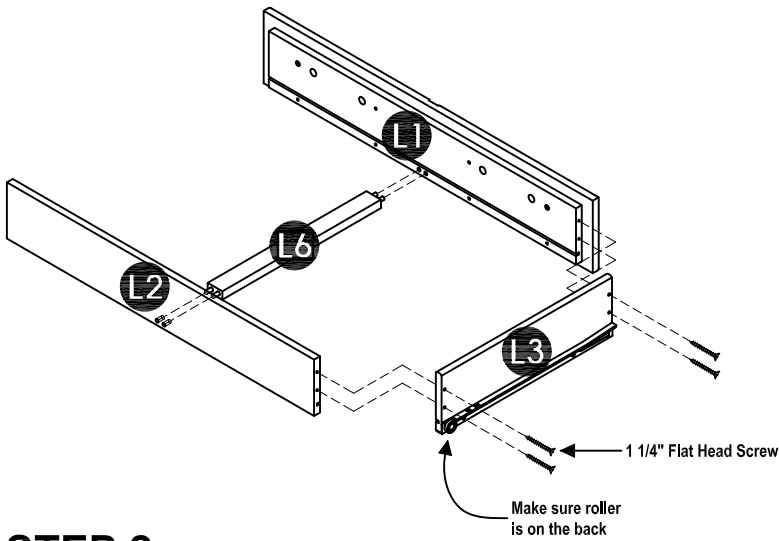
Drawer (L)



STEP 1

Attach Base Part (L6) to Front Part (L1) and Back Part (L2).

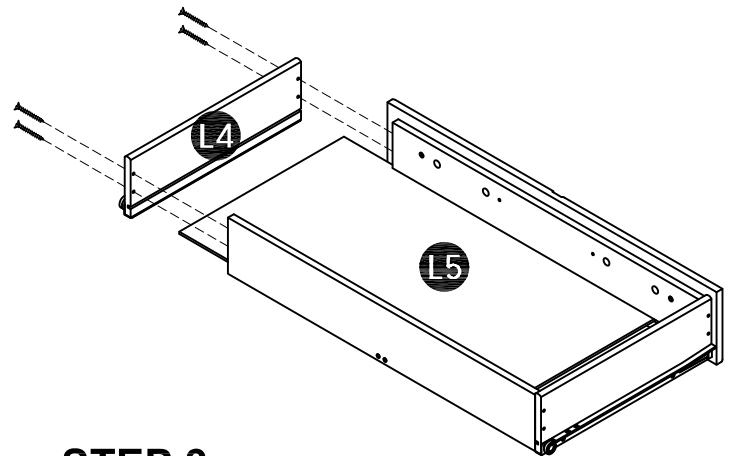
Attach Side Part (L3) to Front Part (L1) and Back Part (L2) using 1 1/4" Flat Head Screws.



STEP 2

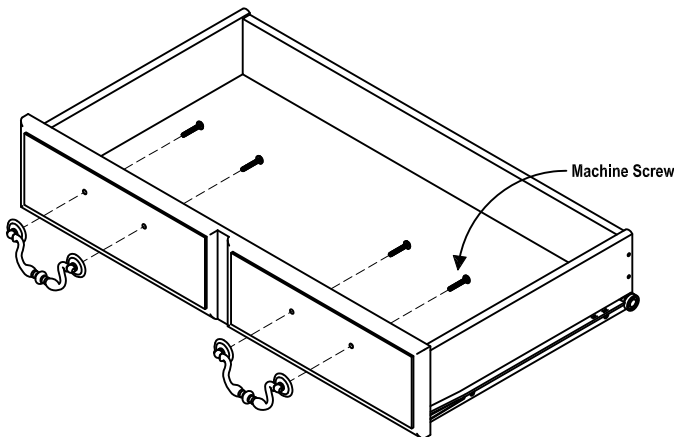
Insert Base Part (L5) into the groove.

Attach Side Part (L4) to unit using 1 1/4" Flat Head Screws.

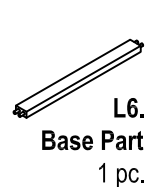
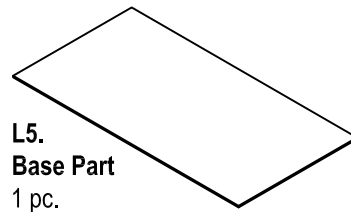
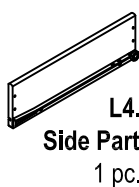
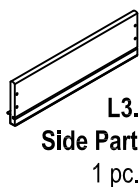
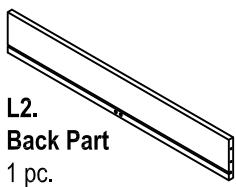
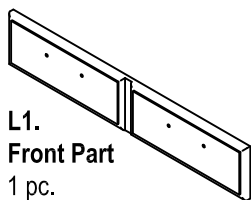


STEP 3

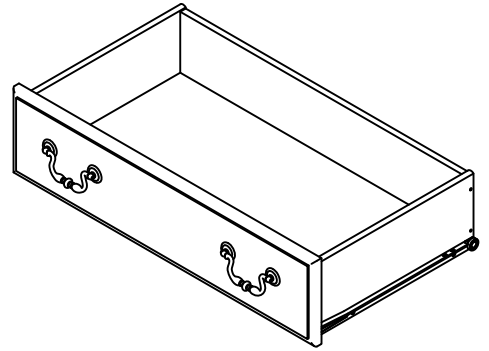
Attach Handle with Machine Screws.



Part List



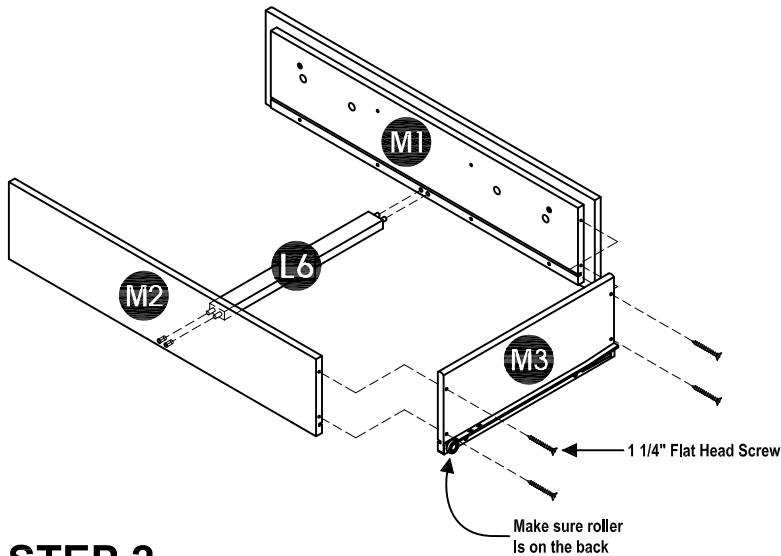
Drawer (M)



STEP 1

Attach Base Part (L6) to Front Part (M1) and Back Part (M2).

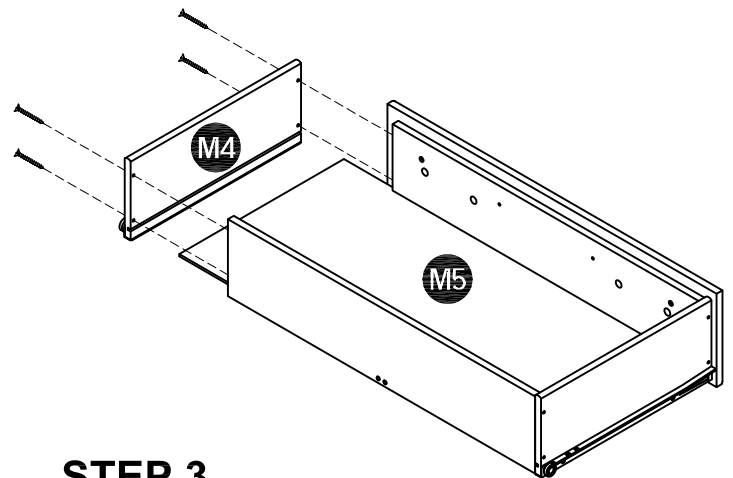
Attach Side Part (M3) to Front Part (M1) and Back Part (M2) using 1 1/4" Flat Head Screws.



STEP 2

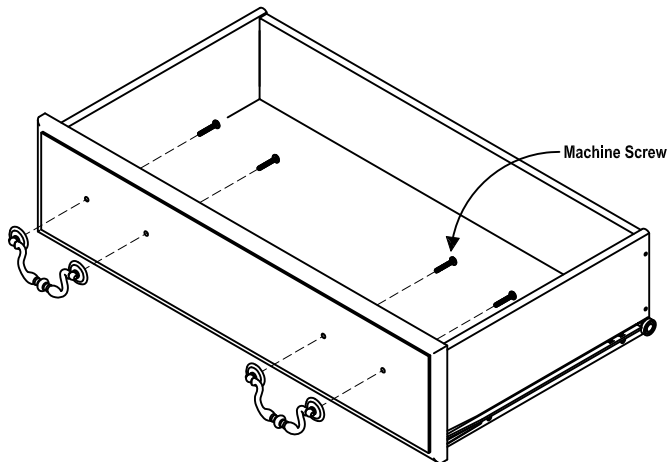
Insert Base Part (M5) into the groove.

Attach Side Part (M4) to unit using 1 1/4" Flat Head Screws.

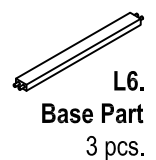
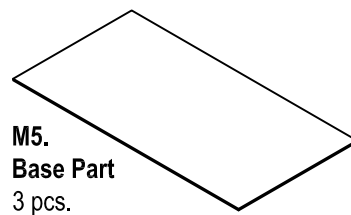
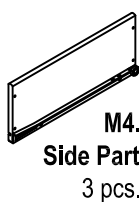
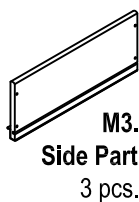
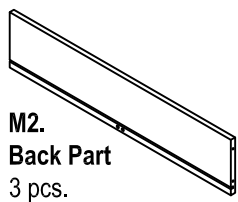
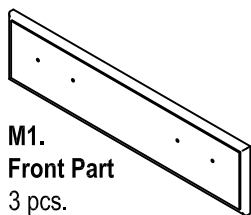


STEP 3

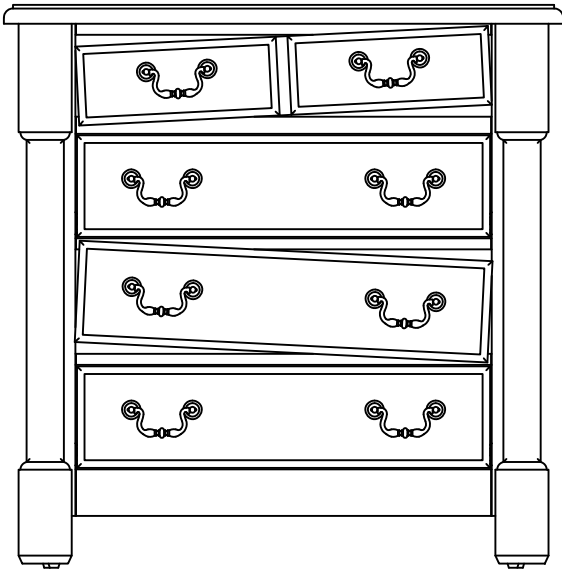
Attach Handle with Machine Screws.



Part List



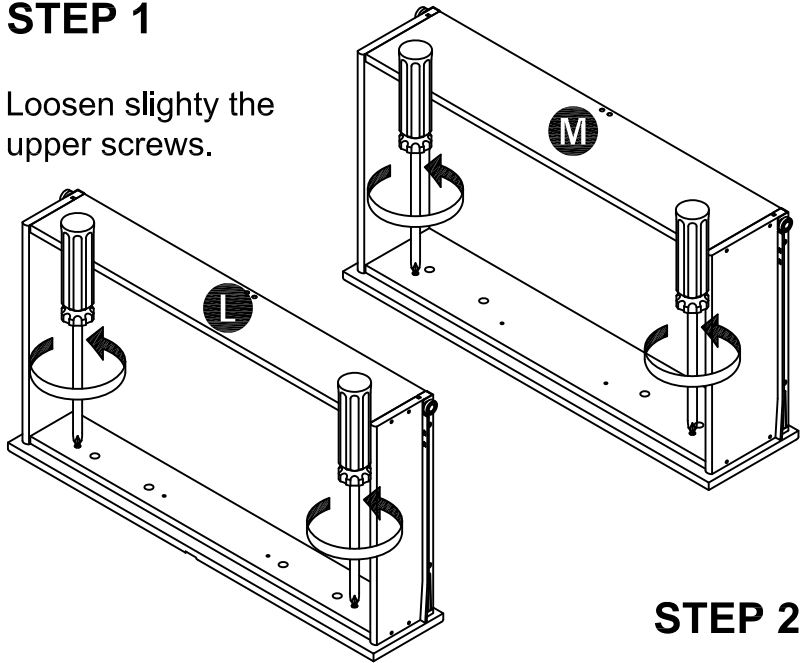
Assembly Instructions 9/9



I. IF A DRAWER DOES NOT ALIGN

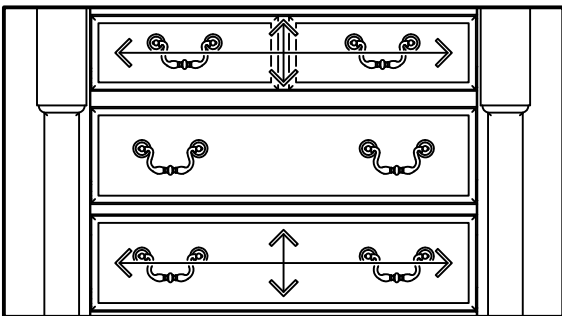
STEP 1

Loosen slightly the upper screws.

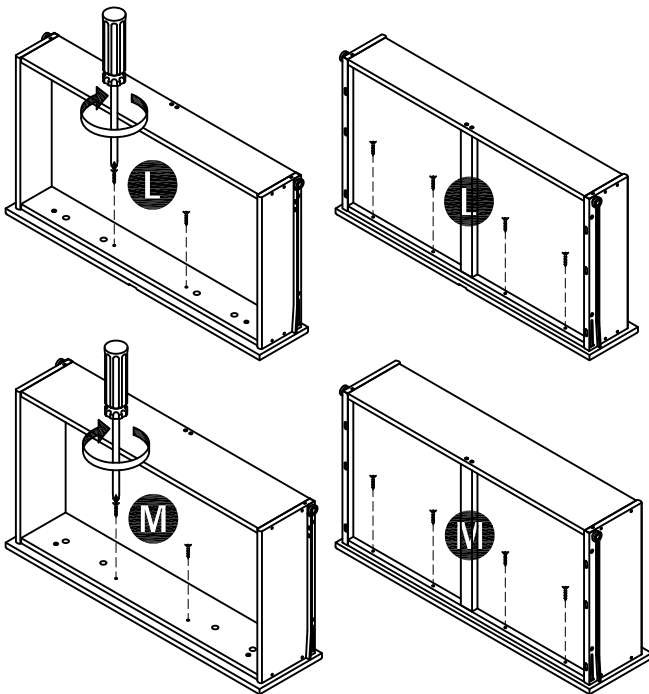


STEP 2

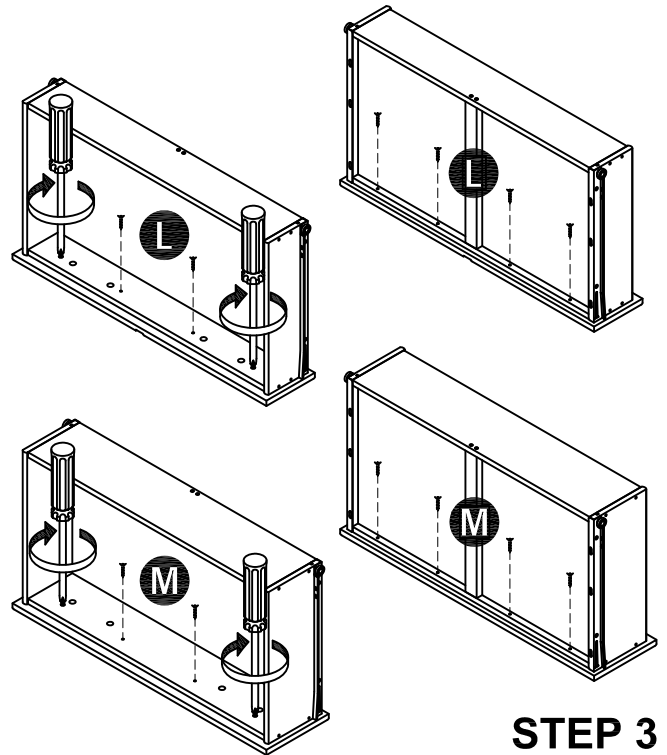
Insert the drawer into the main body, then adjust the drawer front panel left or right and up or down, until the drawer gaps look proportional.



II. IF A DRAWER ALREADY ALIGNS



Pull out drawer slowly. Lock the drawer front panel into position with 3/4" Flat Head Screws.



STEP 3

Pull the drawer open slowly and tighten the upper screws. Make sure the front panel does not move and lock the drawer front panel into position with 3/4" Flat Head Screws.

VERY IMPORTANT !!

CARE INSTRUCTIONS

NEVER

USE GLASS CLEANERS ON FINISHED FURNITURE. AMMONIA WILL CHEMICALLY ATTACK THE LACQUER.

NEVER

ALLOW LIQUIDS OF ANY KIND TO REMAIN ON THE FURNITURE. ABSORPTION CAUSES WOOD TO WARP AND SPLIT AND FINISHES TO DELAMINATE.

DO NOT WRITE DIRECTLY ON SURFACE.



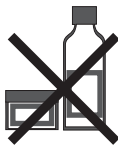
PREVENT MARKING

DO NOT PLACE IN DIRECT SUNLIGHT.



PREVENT FADING

DO NOT USE COMMERCIAL WAXES AND POLISHES.



PREVENT YELLOWING

DO NOT PLACE HOT OBJECTS ON SURFACE.



PREVENT FINISH DAMAGE

DO NOT USE RUBBER BASED PLACE MATS.



PREVENT DISCOLORING

TO CLEAN

USE A SOFT CLOTH MOISTENED IN LEMON OIL POLISH OR LUKEWARM SOAP AND WATER, THEN BUFF WITH A DRY CLEAN CLOTH.



Home Styles will provide replacements free of charge for missing or damaged hardware or parts within 30 days of purchase. Digital images of the defective parts may be required. If this product was not purchased from an authorized retail affiliate, Home Styles is under no obligation to provide replacement parts. Parts are not available for fully assembled items nor are parts available for sale. Replacements for missing or damaged hardware or parts may be requested at:

www.homestyles-furniture.com/customer_service

Home Styles Consumer Assistance: www.homestyles-furniture.com,
servicedesk@homestyles-furniture.com, 888-680-7460, 877-831-0319