

# 88 5545 503

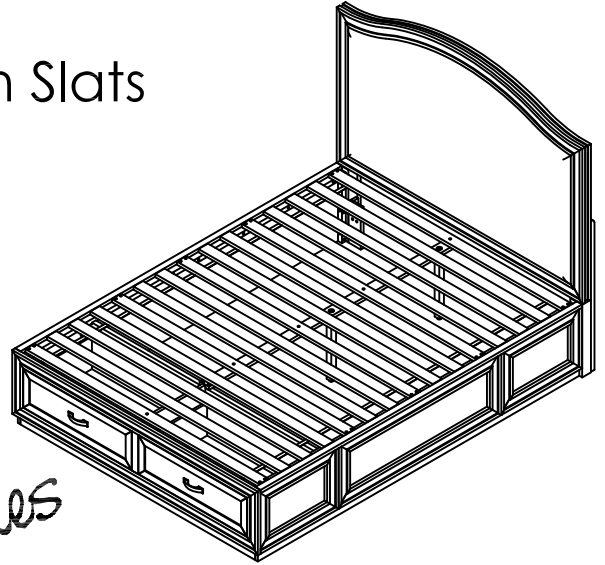
## The Duet Queen Bed Rails with Slats

### IMPORTANT NOTE

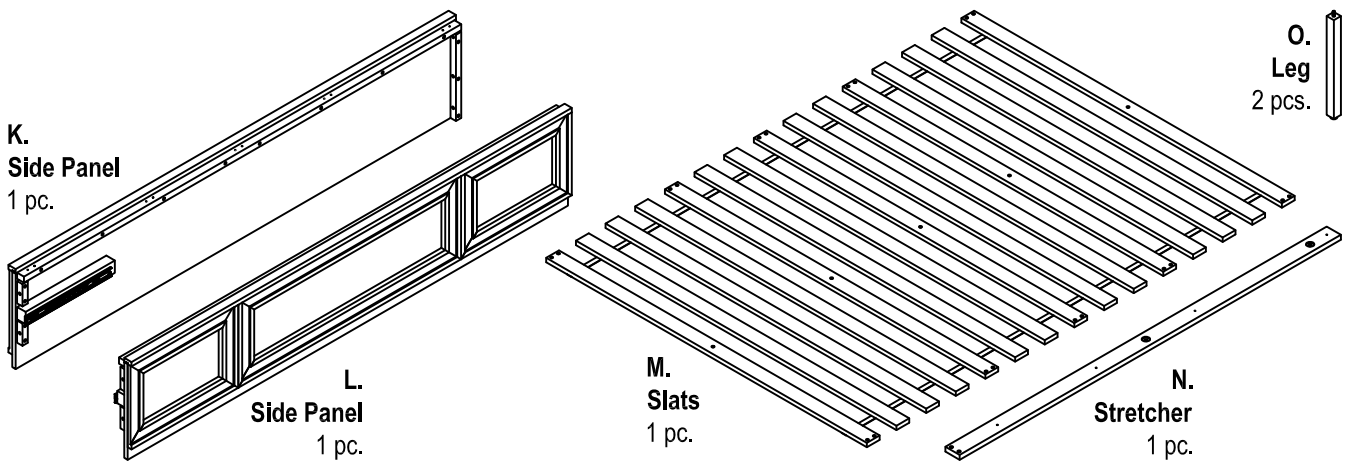
Carefully remove all the parts from the carton and put them individually on a soft cloth to prevent scratches or other damages occurring to the parts.

We have taken great care in the design of this product and request that you carefully and strictly follow our assembly instructions to ensure a completed product as it was designed.

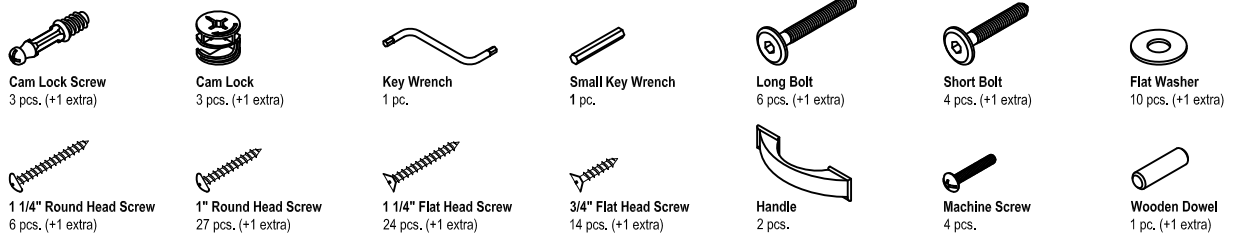
*Home Styles*



### Part List



### Hardware List



### For assembly also need the following :

88 5545 5011	Carton quantity: 1	88 5545 5012	Carton quantity: 1	88 5545 502	Carton quantity: 1

Tools Required For Assembly : Phillips screwdriver

Tools Recommended For Assembly : Level

**Home Styles Consumer Assistance:** [www.homestyles-furniture.com](http://www.homestyles-furniture.com),  
[servicedesk@homestyles-furniture.com](mailto:servicedesk@homestyles-furniture.com), 888-680-7460, 877-831-0319

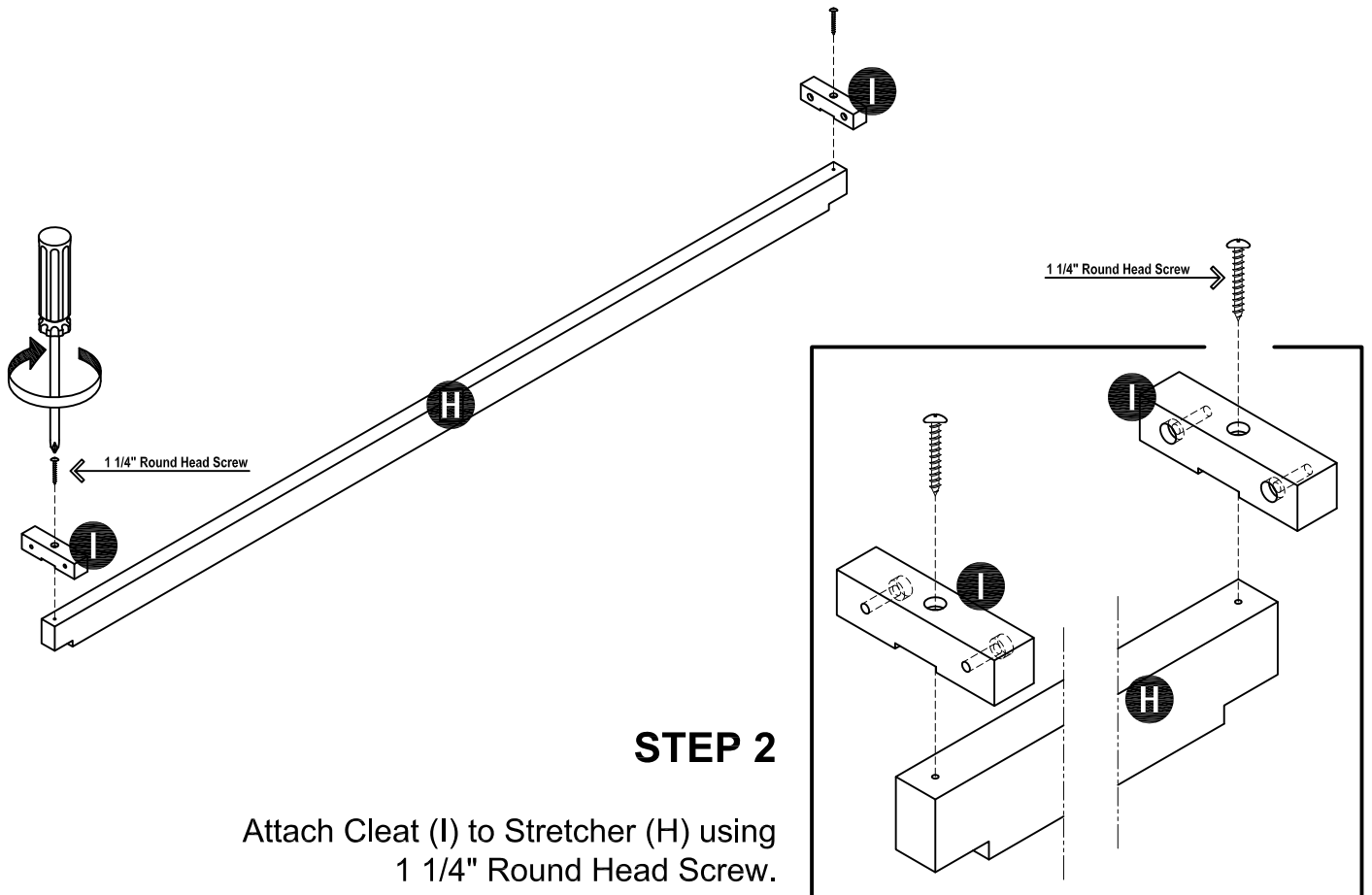
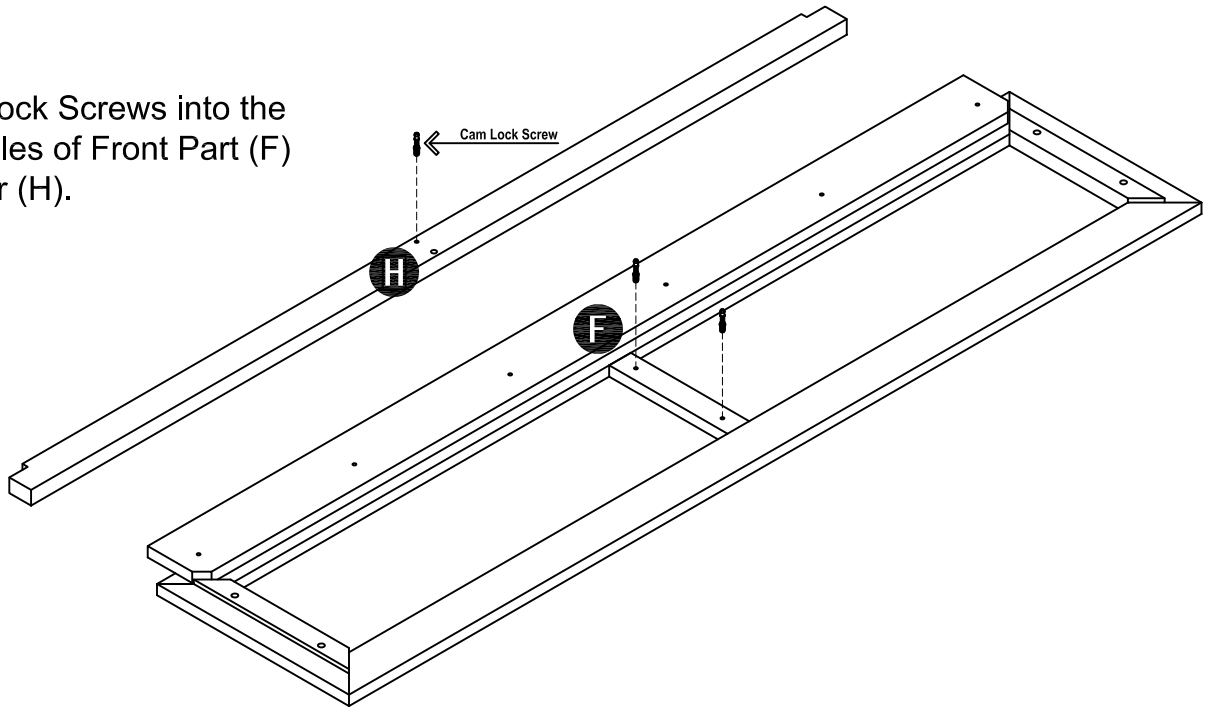
# Assembly Instructions 2/8

## IMPORTANT

- \* Do not tighten up all the bolts until each part is properly assembled.
- \* You should keep Key Wrench in a safe place as you may need to tighten up the bolts in the future.
- \* After assembly, item must be level to work properly. Use the included adjustable levellers to level.

## STEP 1

Insert Cam Lock Screws into the pre-drilled holes of Front Part (F) and Stretcher (H).



## STEP 2

Attach Cleat (I) to Stretcher (H) using 1 1/4" Round Head Screw. (see Figure 1)

Figure 1

# Assembly Instructions 3/8

## STEP 3

Attach Divider (G) to Front Part (F) using Cam Locks.  
(see Figure 2)

Attach Stretcher (H) to unit using Cam Lock and  
Wooden Dowel.

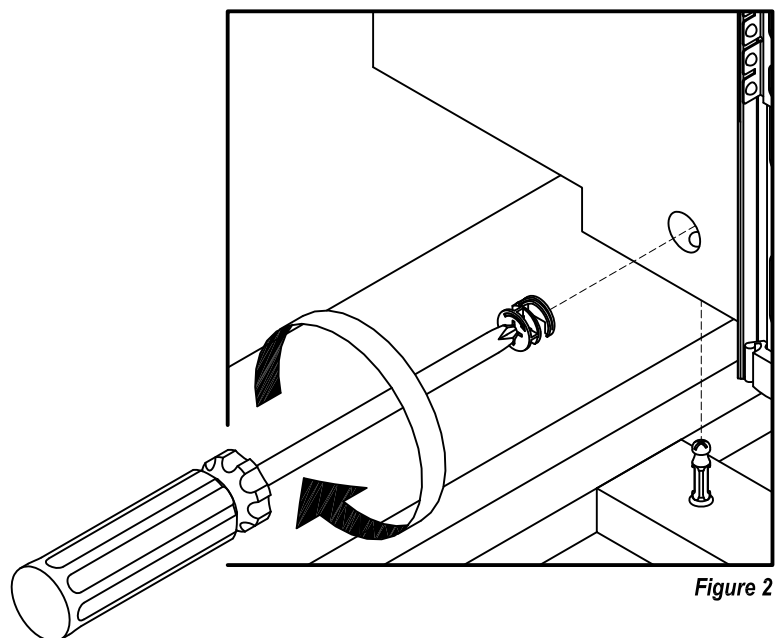
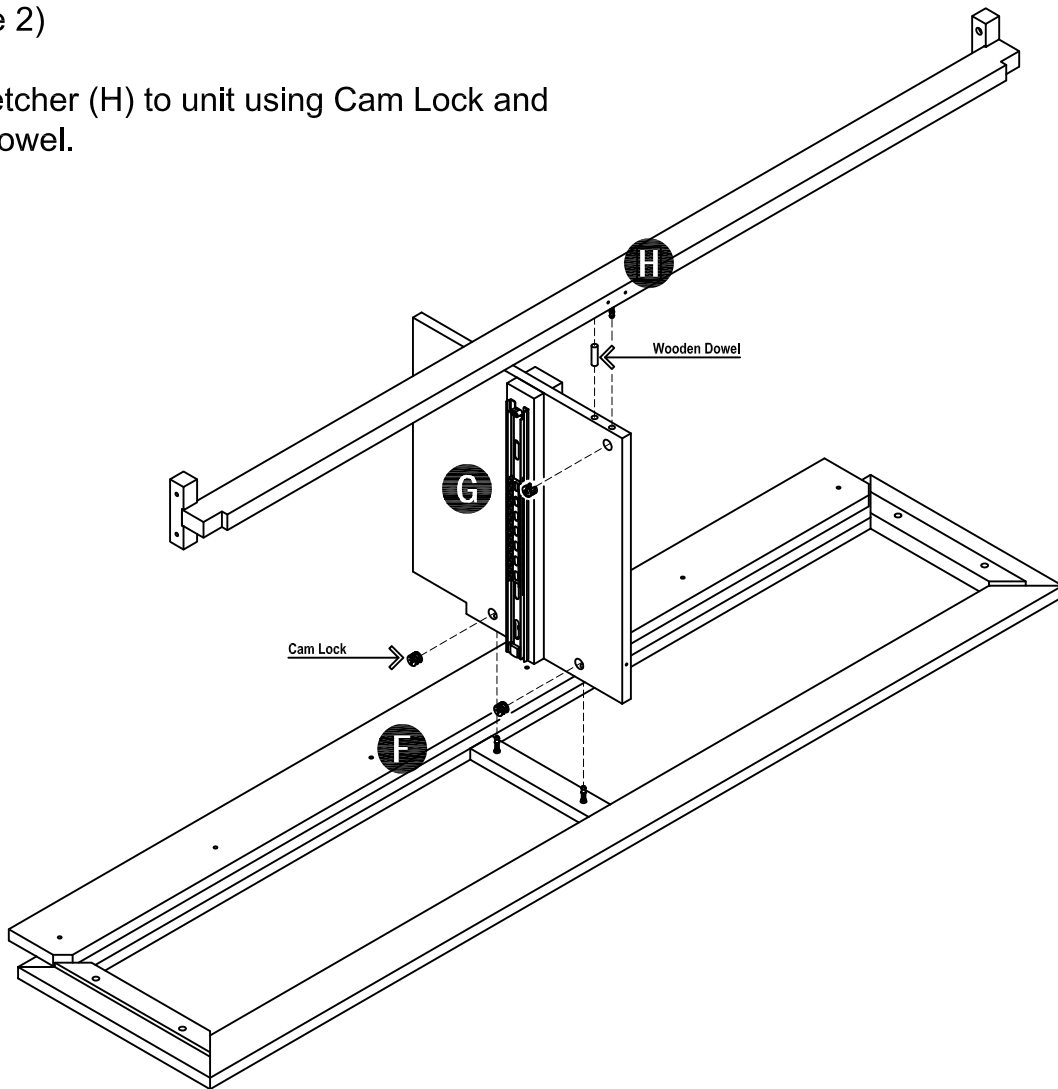


Figure 2

# Assembly Instructions 4/8

## STEP 4

Assemble Side Panels (K) and (L) to Headboard using Long Bolts and Flat Washers.

Attach unit to Footboard unit using Short Bolts and Flat Washers.

Tighten all Bolts using Key Wrench.  
(see Figure 3)

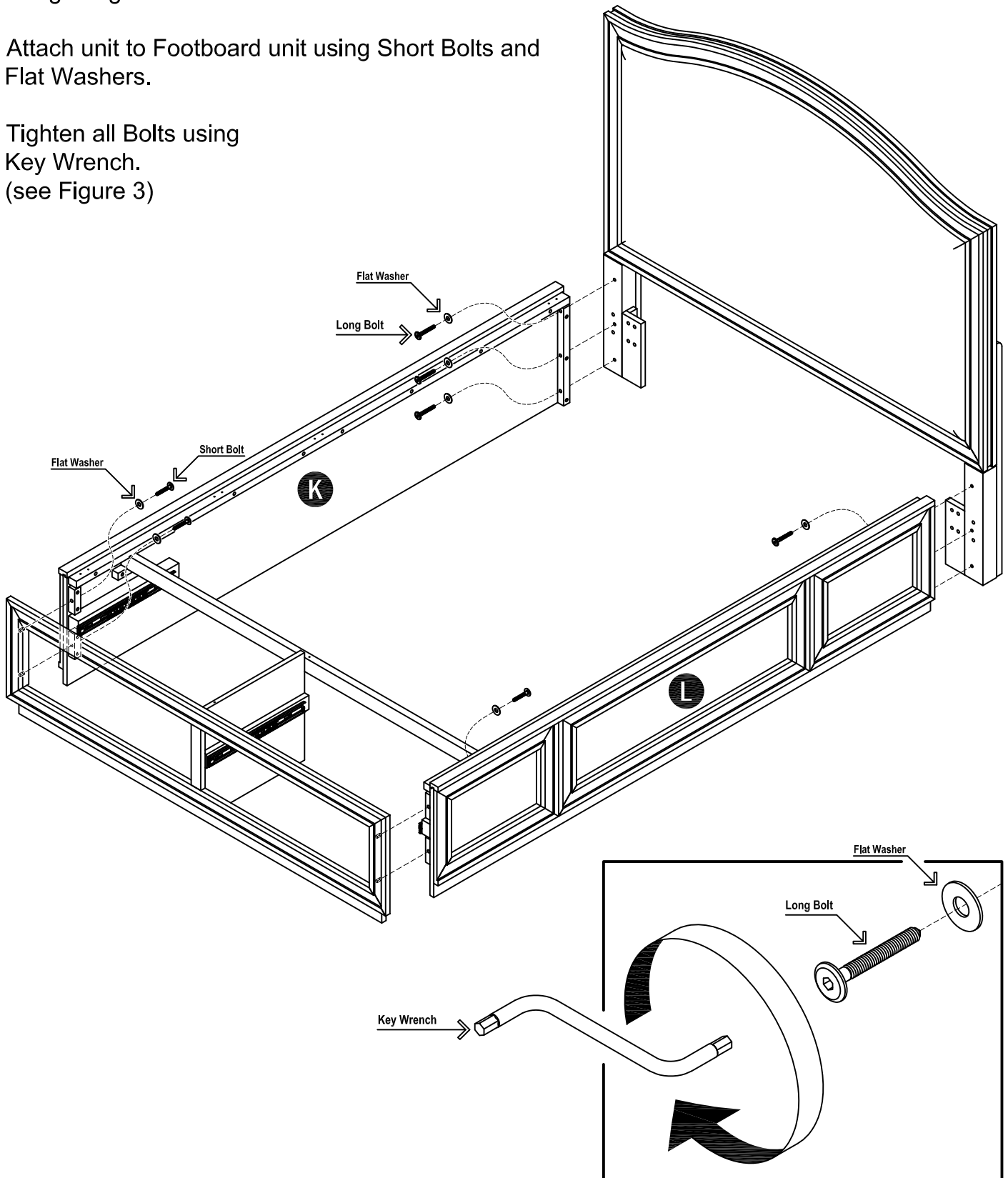


Figure 3

# Assembly Instructions 5/8

## STEP 5

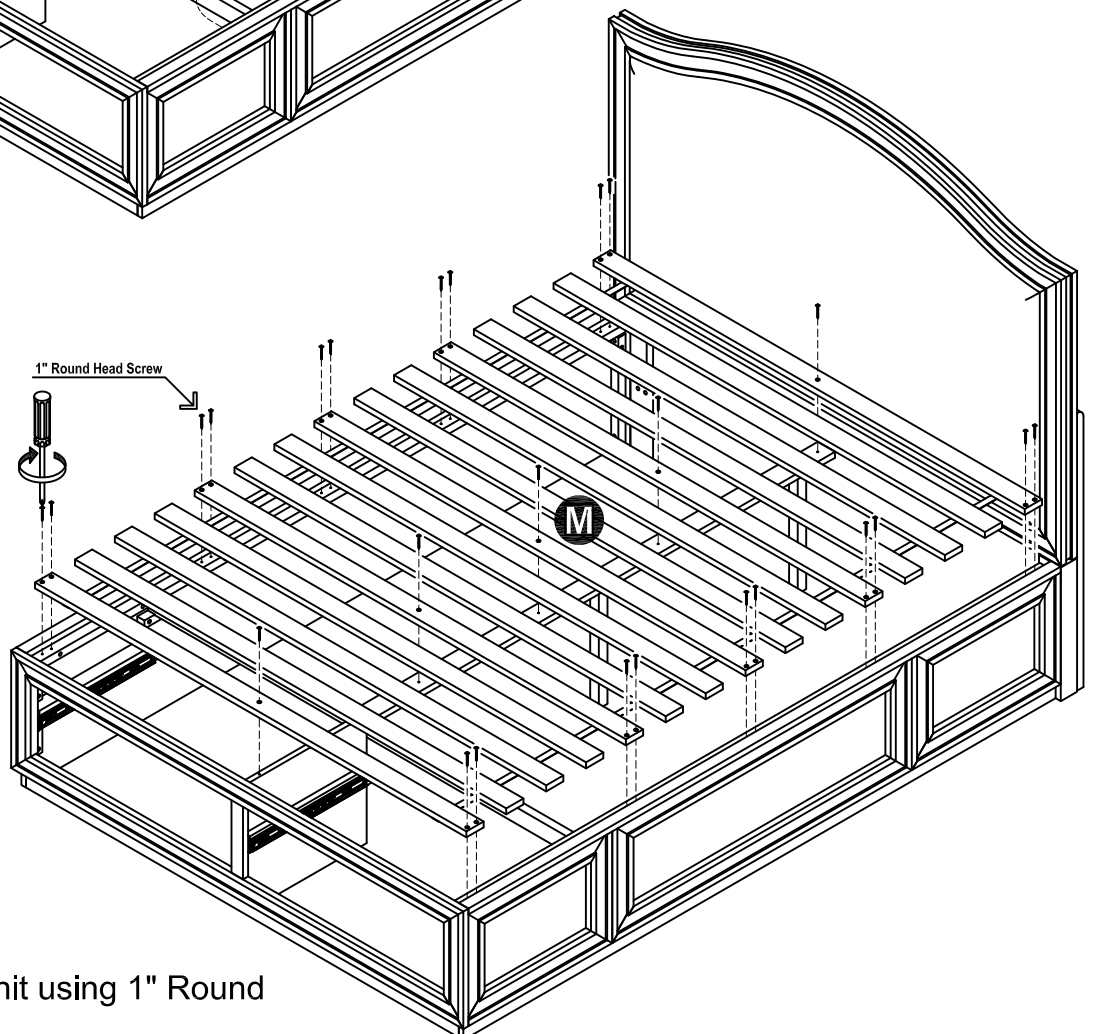
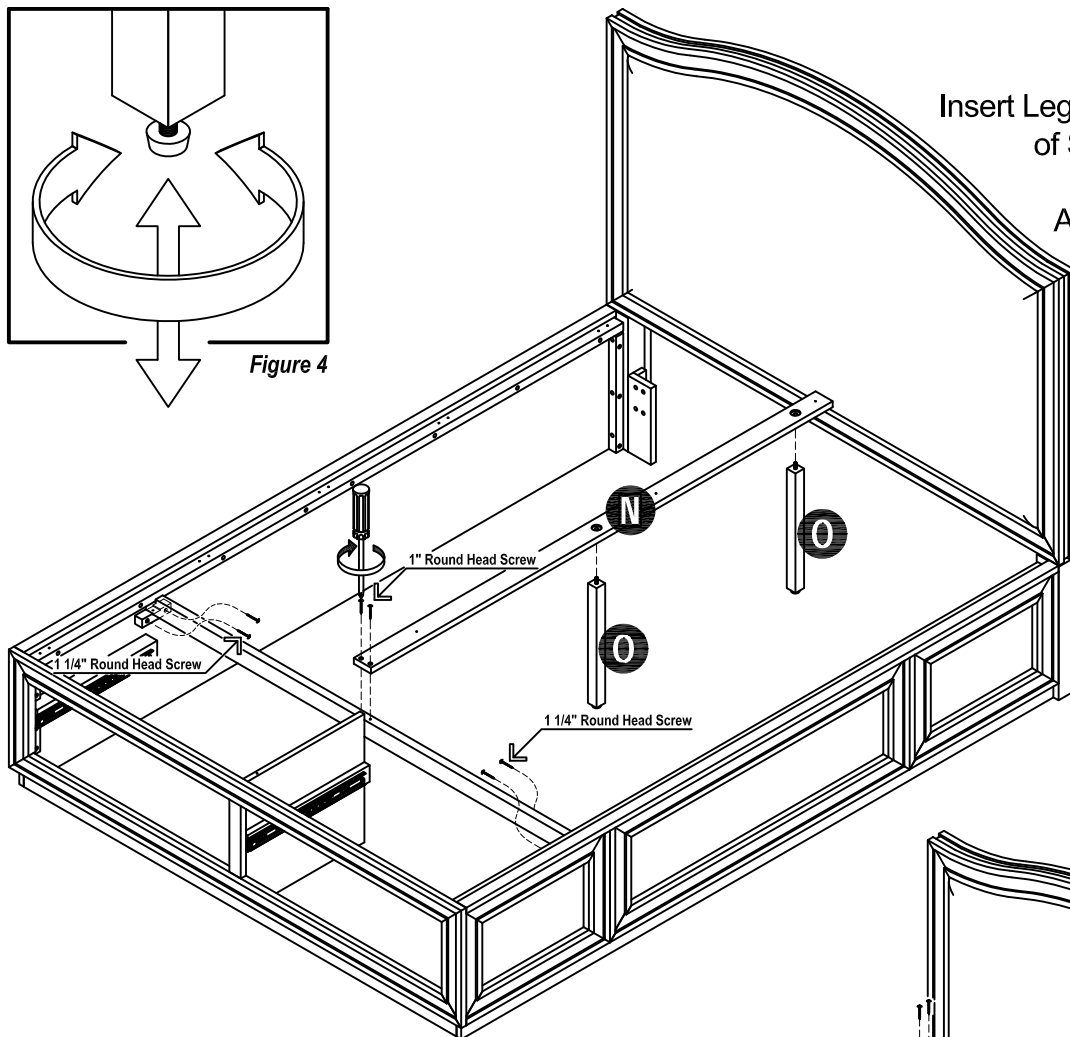
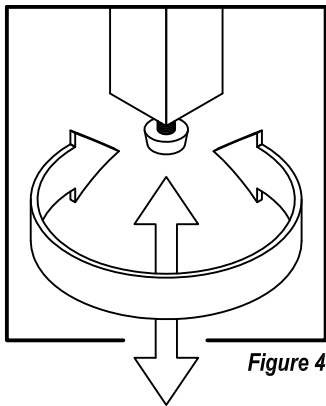
Insert Leg (O) into pre-drilled holes of Stretcher (N) and tighten.

Attach Stretcher (N) to the unit with 1" Round Head Screws.

Attach 1 1/4" Round Head Screws to unit to strengthen its construction.

To level the unit, adjust the adjustable levelers on the bottom of legs.

**Note: Unit must be level to work properly.**  
(See figure 4)



## STEP 6

Attach Slats (M) to unit using 1" Round Head Screws.

## STEP 7

Align the metal runners on each side of Drawer (J) into the metal guides on the unit and slide Drawer (J) into the unit.

If you need to remove a drawer in the future, push the plastic lever up on its' left side, push down on its' right side and pull the drawer out slowly.  
(see Figure 5)

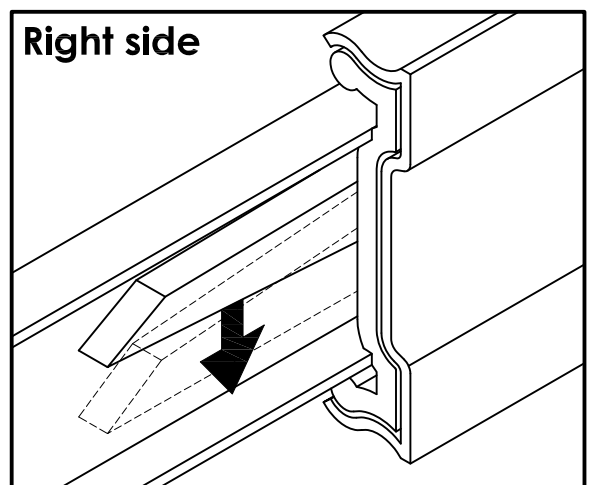
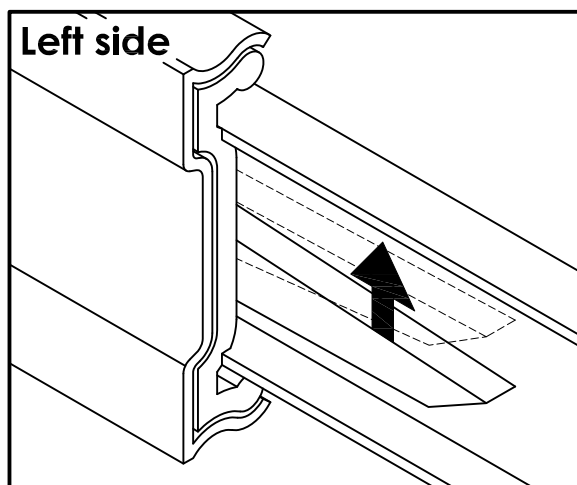
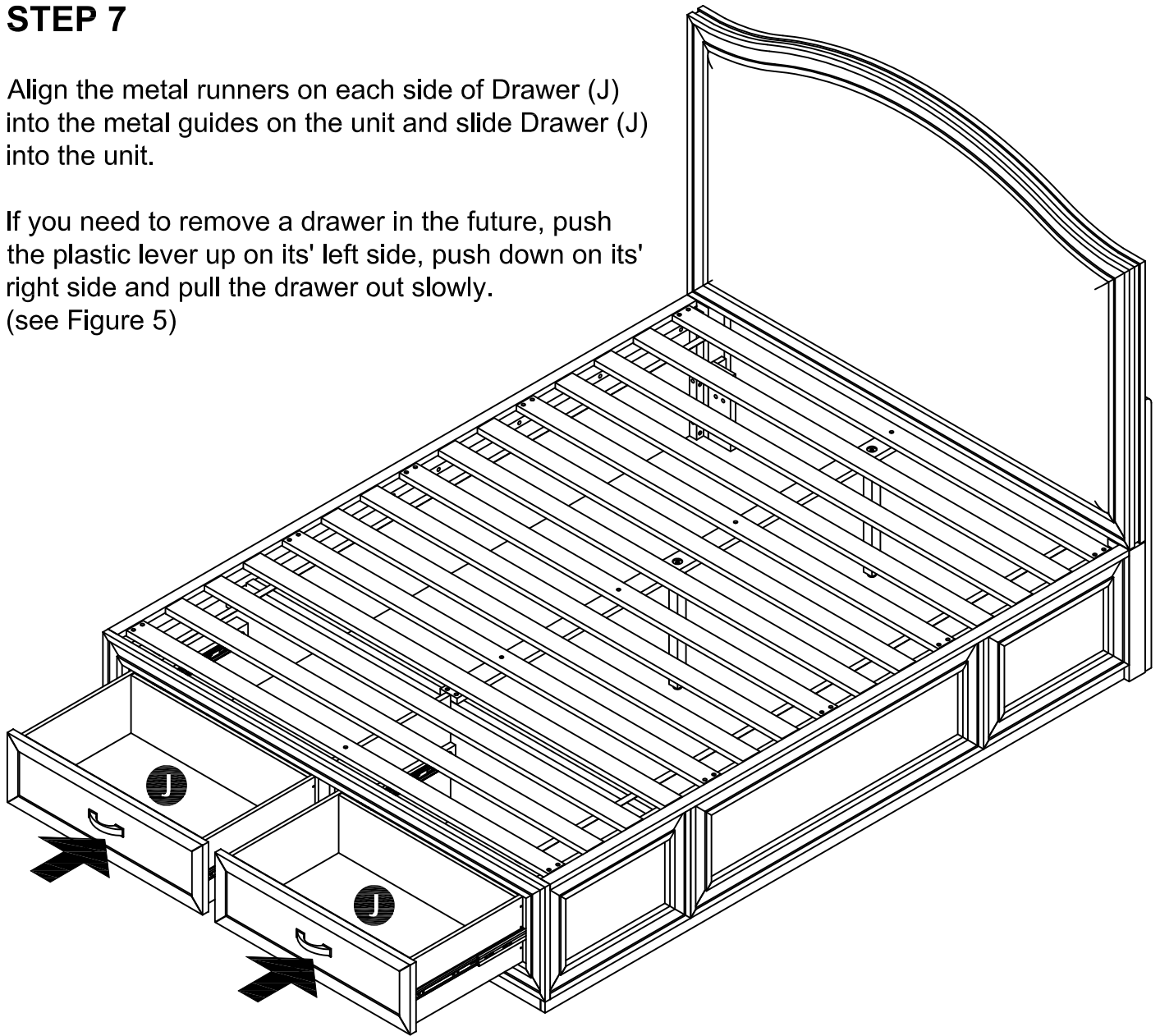
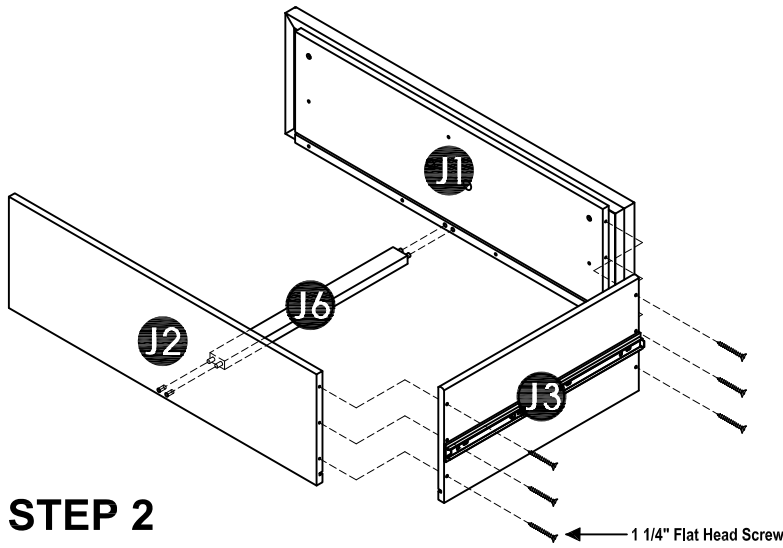


Figure 5

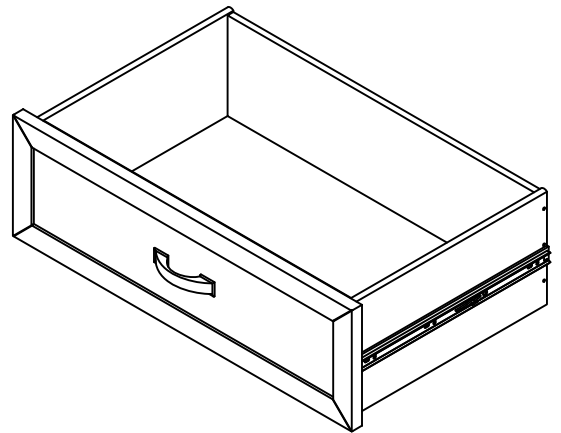
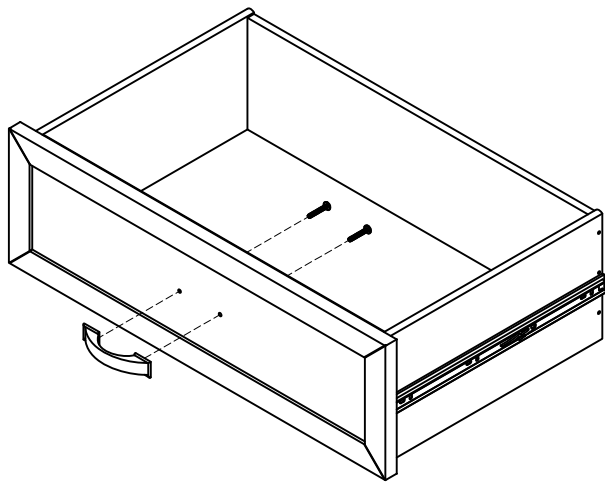
## Drawer (O)



### STEP 2

Insert Base Part (J5) into the groove.

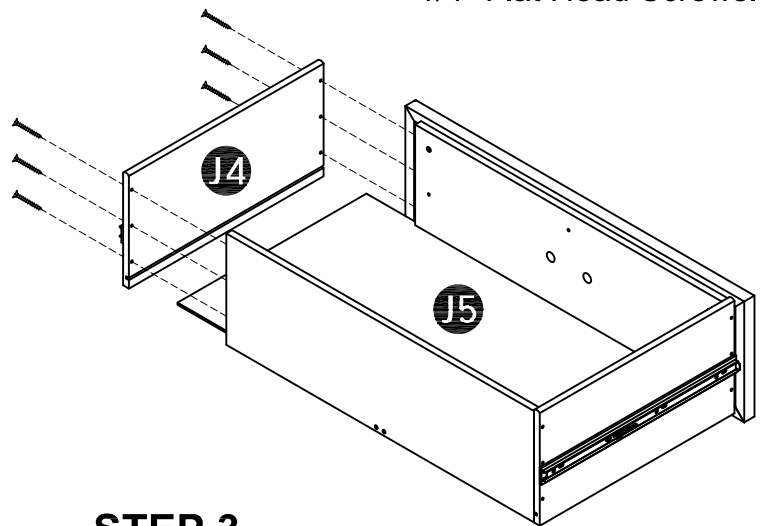
Attach Side Part (J4) to unit using 1 1/4" Flat Head Screws.



### STEP 1

Attach Base Part (J6) to Front Part (J1) and Back Part (J2).

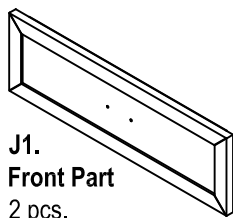
Attach Side Part (J3) to Front Part (J1) and Back Part (J2) using 1 1/4" Flat Head Screws.



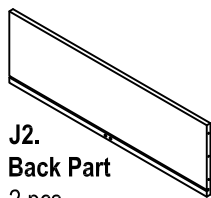
### STEP 3

Attach Handle with Machine Screws.

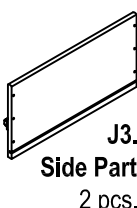
## Part List



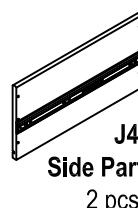
J1.  
Front Part  
2 pcs.



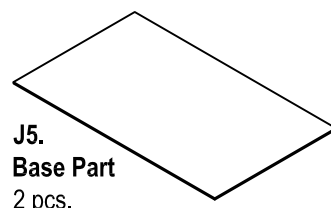
J2.  
Back Part  
2 pcs.



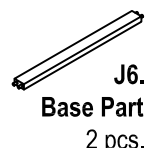
J3.  
Side Part  
2 pcs.



J4.  
Side Part  
2 pcs.



J5.  
Base Part  
2 pcs.

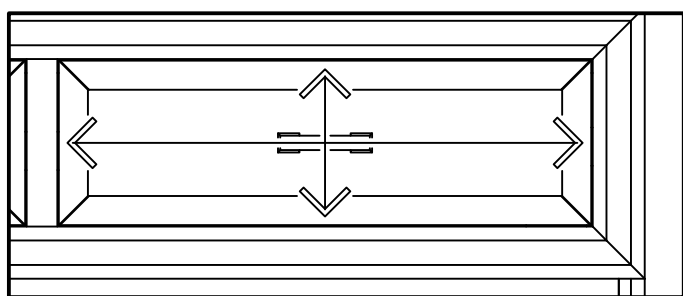
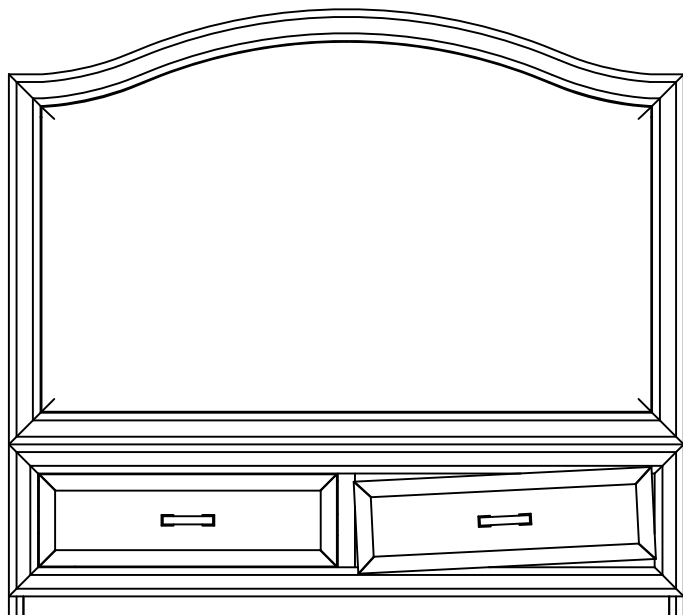


J6.  
Base Part  
2 pcs.

# Assembly Instructions 8/8

## IMPORTANT

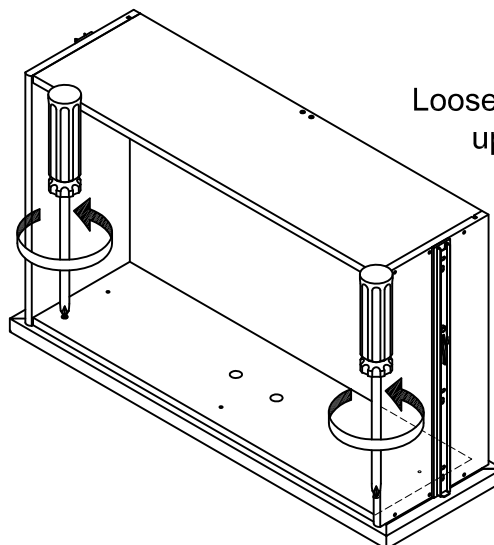
\* Please follow step 4 when you need to remove and insert the drawers in this adjustment step.



## I. IF A DRAWER DOES NOT ALIGN

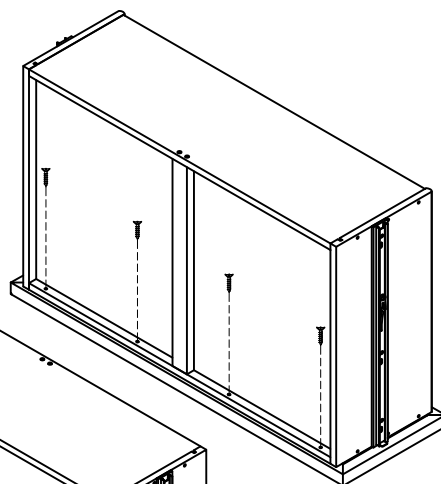
### STEP 1

Loosen slightly the upper screws.

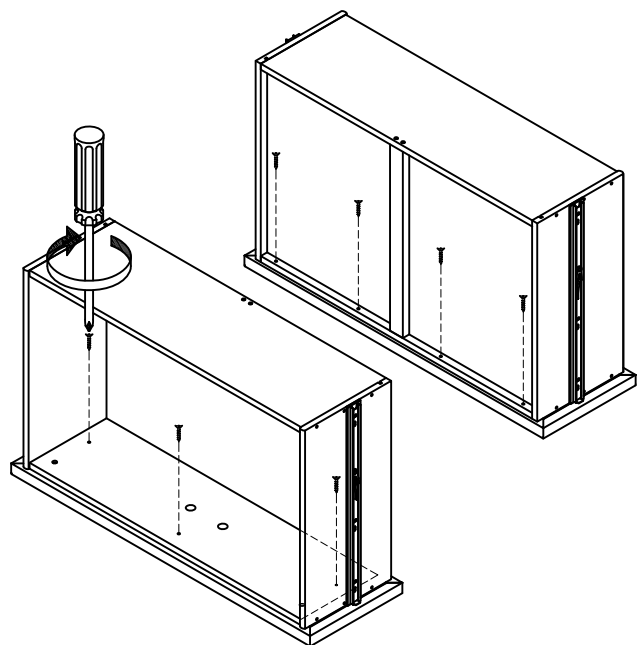


### STEP 2

Insert the drawer into the main body, then adjust the drawer front panel left or right and up or down, until the drawer gaps look proportional.



## II. IF A DRAWER ALREADY ALIGNS



Pull out drawer slowly. Lock the drawer front panel into position with 3/4" Flat Head Screws.

### STEP 3

Pull the drawer open slowly and tighten the upper screws. Make sure the front panel does not move and lock the drawer front panel into position with 3/4" Flat Head Screws.



# VERY IMPORTANT !!

## CARE INSTRUCTIONS

### NEVER

USE GLASS CLEANERS ON FINISHED FURNITURE. AMMONIA WILL CHEMICALLY ATTACK THE LACQUER.

### NEVER

ALLOW LIQUIDS OF ANY KIND TO REMAIN ON THE FURNITURE. ABSORPTION CAUSES WOOD TO WARP AND SPLIT AND FINISHES TO DELAMINATE.

DO NOT WRITE DIRECTLY ON SURFACE.



**PREVENT MARKING**

DO NOT PLACE IN DIRECT SUNLIGHT.



**PREVENT FADING**

DO NOT USE COMMERCIAL WAXES AND POLISHES.



**PREVENT YELLOWING**

DO NOT PLACE HOT OBJECTS ON SURFACE.



**PREVENT FINISH DAMAGE**

DO NOT USE RUBBER BASED PLACE MATS.



**PREVENT DISCOLORING**

## TO CLEAN

USE A SOFT CLOTH MOISTENED IN LEMON OIL POLISH OR LUKEWARM SOAP AND WATER, THEN BUFF WITH A DRY CLEAN CLOTH.



Home Styles will provide replacements free of charge for missing or damaged hardware or parts within 30 days of purchase. Digital images of the defective parts may be required. If this product was not purchased from an authorized retail affiliate, Home Styles is under no obligation to provide replacement parts. Parts are not available for fully assembled items nor are parts available for sale. Replacements for missing or damaged hardware or parts may be requested at:

[www.homestyles-furniture.com/customer\\_service](http://www.homestyles-furniture.com/customer_service)

**Home Styles Consumer Assistance:** [www.homestyles-furniture.com](http://www.homestyles-furniture.com),  
[servicedesk@homestyles-furniture.com](mailto:servicedesk@homestyles-furniture.com), 888-680-7460, 877-831-0319