

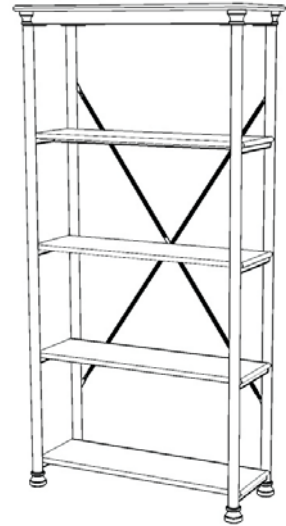
88 5060 761 The Orleans Storage Stand

IMPORTANT NOTE

Carefully remove all the parts from the carton and put them individually on a soft cloth to prevent scratches or other damages occurring to the parts.

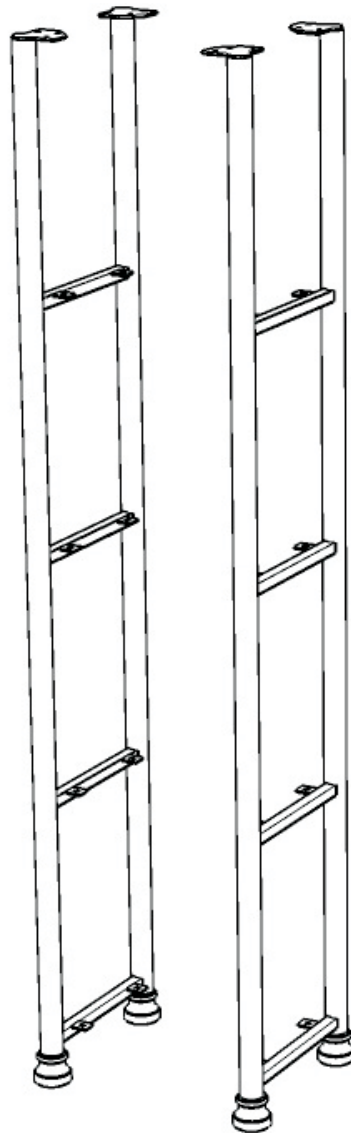
We have taken great care in the design of this product and request that you carefully and strictly follow our assembly instructions to ensure a completed product as it was designed.

*Home
Styles*

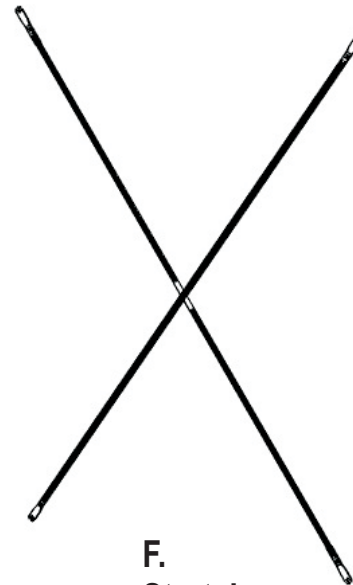


Part List (in this carton)

B.
Side Frame
1 pc.



C.
Side Frame
1 pc.



F.
Stretcher
1 pc.

For assembly see instructions in carton 88 5060 762

Tools required for assembly : **Phillips** screwdriver

Tools recommended for assembly : Level

Home Styles Consumer Assistance: www.homestyles-furniture.com,
servicedesk@homestyles-furniture.com, 888-680-7460, 877-831-0319

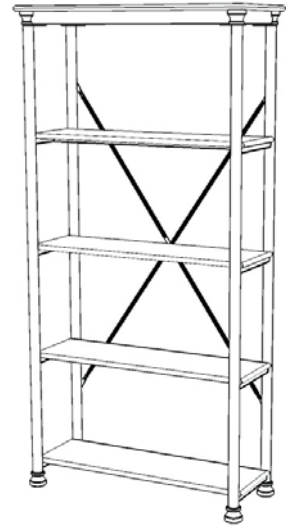
88 5060 762 The Orleans Storage Stand

IMPORTANT NOTE

Carefully remove all the parts from the carton and put them individually on a soft cloth to prevent scratches or other damages occurring to the parts.

We have taken great care in the design of this product and request that you carefully and strictly follow our assembly instructions to ensure a completed product as it was designed.

*Home
Styles*



Part List (in this carton)



A.
Top
1 pc.



D.
Shelf
4 pcs.



E.
Support
4 pcs.

Hardware List



Hex Wrench
1 pc.



Spring Washer
20 pcs. (+1 extra)



Head Cap Bolt
20 pcs. (+1 extra)



Wood Screw
12 pcs. (+1 extra)



**Small
Hex Wrench**
1 pc.



Flat Washer
20 pcs. (+1 extra)



**Head Cap Bolt
(short)**
12 pcs. (+1 extra)

Also need the Parts in carton 88 5060 761

Tools required for assembly : **Phillips** screwdriver

Tools recommended for assembly : Level

Home Styles Consumer Assistance: www.homestyles-furniture.com,
servicedesk@homestyles-furniture.com, 888-680-7460, 877-831-0319

IMPORTANT

- * Do not tighten up all the screws until each part is properly assembled.
- * You should keep Hex Wrench in a safe place as you may need to tighten up the Head Cap Bolts in the future.
- * After assembly, item must be level to work properly. Use the included adjustable levelers to level.

STEP 1

Place Top (A) upside down on a soft cloth.

Attach Side Frame (B), (C) onto Top (A) with Head Cap Bolts (short).
(See figure 1)

Attach Stretcher (F) to unit with Flat Washers, Spring Washers and Head Cap Bolts.
(See figure 2)

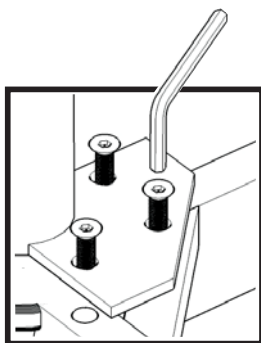
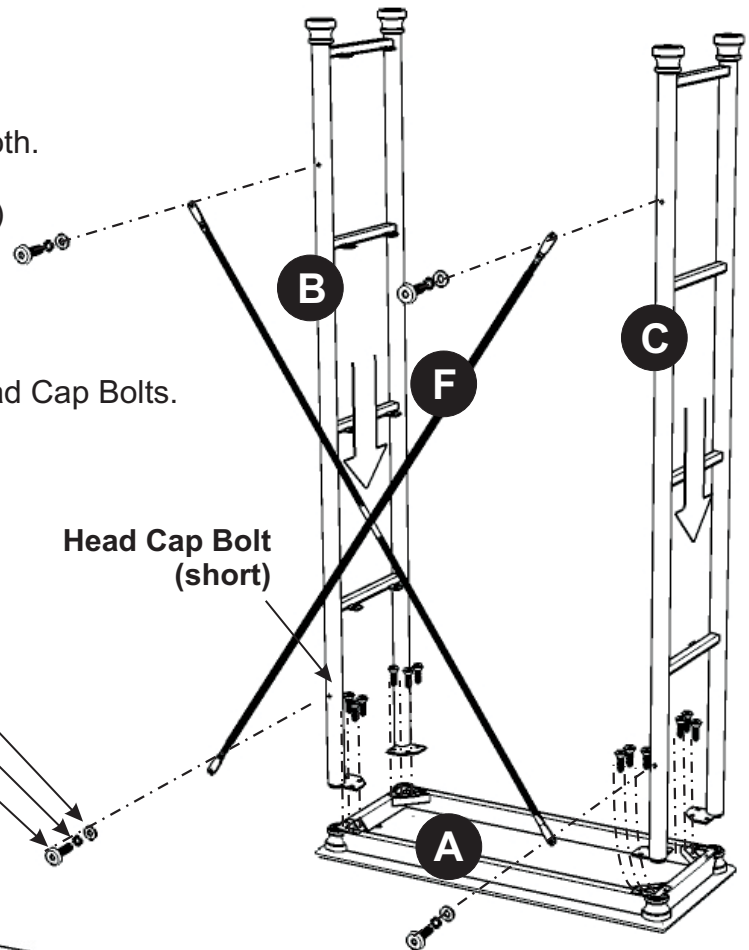


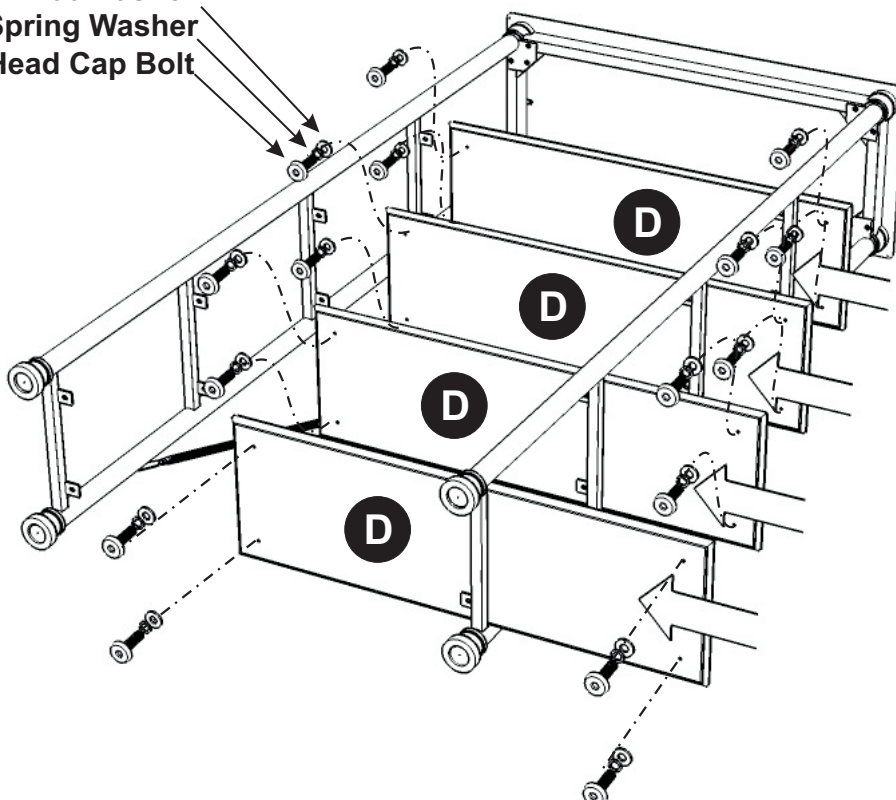
Figure 1

Flat Washer
Spring Washer
Head Cap Bolt

Head Cap Bolt
(short)



Flat Washer
Spring Washer
Head Cap Bolt



STEP 2

Attach Shelves (D) to unit with Flat Washers, Spring Washers and Head Cap Bolts.

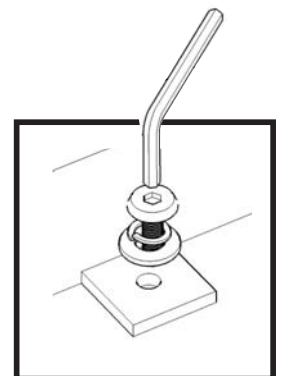
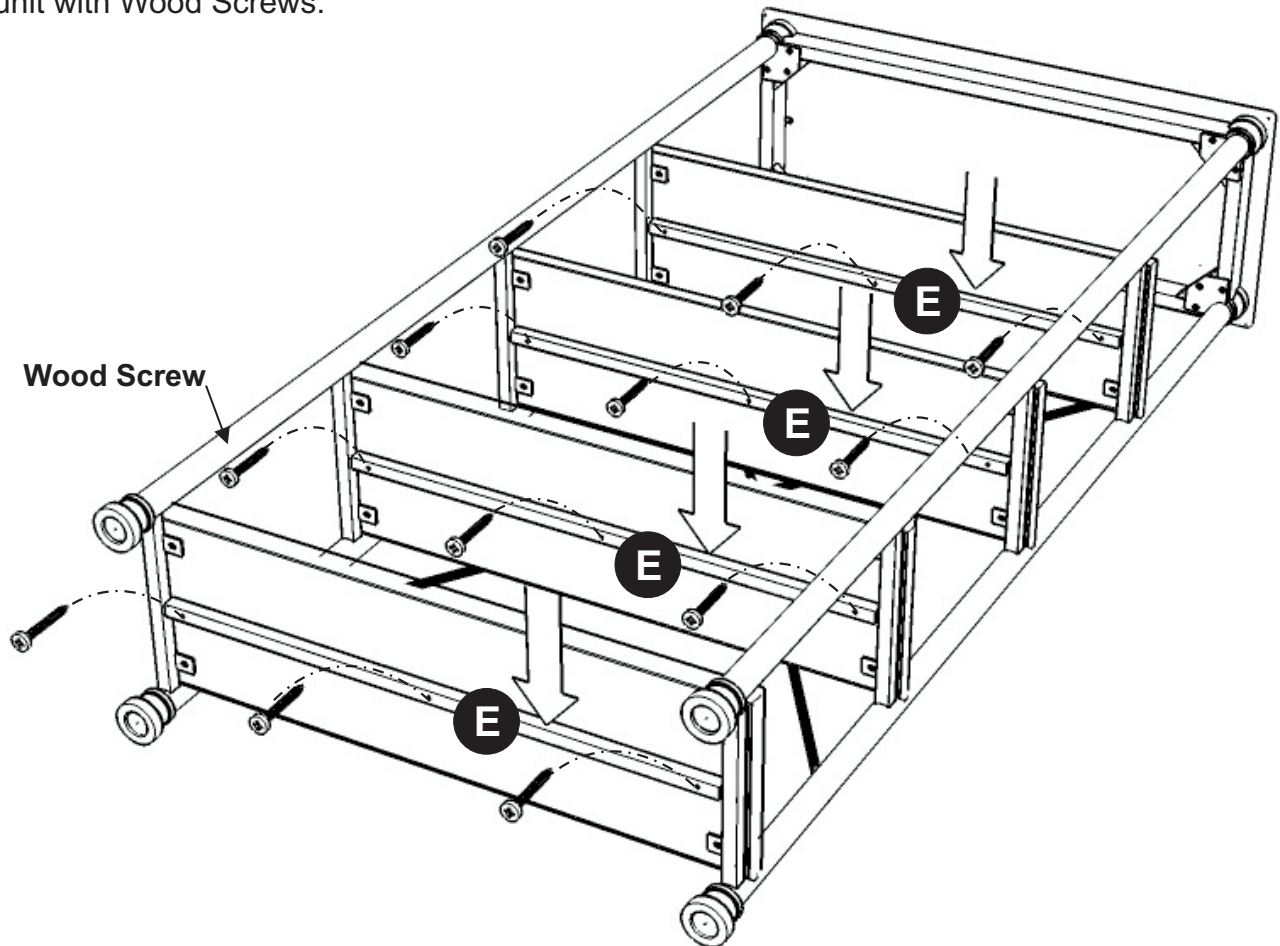


Figure 2

STEP 3

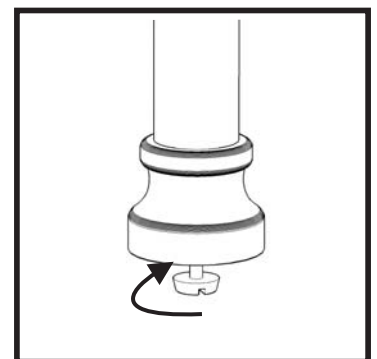
Attach Supports (E)
to unit with Wood Screws.



STEP 4

Turn the unit over to its' upright position.
To level the unit, adjust the adjustable
levelers on the bottom of unit. (see Figure 3)

Note: Unit must be level to work properly.



(Figure 3)