

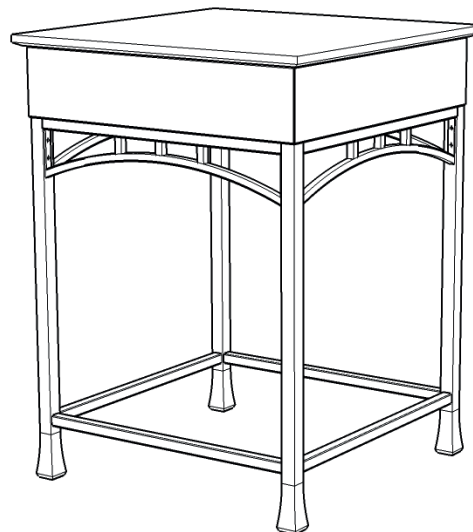
88 5050 171 Modern Craftsman Corner Table

IMPORTANT NOTE

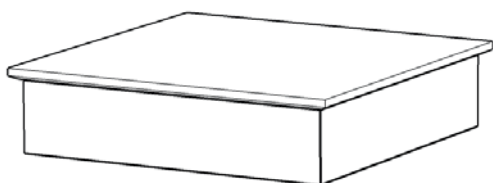
Carefully remove all the parts from the carton and put them individually on a soft cloth to prevent scratches or other damages occurring to the parts.

We have taken great care in the design of this product and request that you carefully and strictly follow our assembly instructions to ensure a completed product as it was designed.

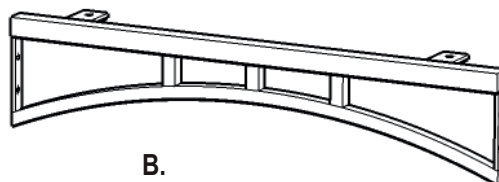
*Home
Styles*



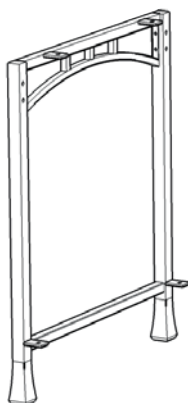
Part List



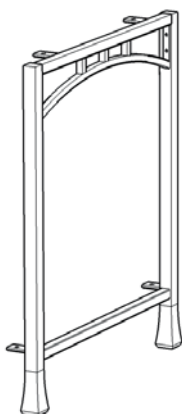
**A.
Cabinet**
1 pc.



**B.
Stretcher**
2 pcs.



**C.
Side Frame**
1 pc.



**D.
Side Frame**
1 pc.



**E.
Stretcher**
2 pcs.

Hardware List



Hex Wrench
1 pc.



**Small
Hex Wrench**
1 pc.



Head Cap Bolt
12 pcs. (+1 extra)



Wood Screw
8 pcs. (+1 extra)



Spring Washer
12 pcs. (+1 extra)



Flat Washer
12 pcs. (+1 extra)

Tools required for assembly : **Phillips** screwdriver

Tools recommended for assembly :Level

**Home Styles Consumer Assistance Line 888-680-7460 and 877-831-0319
servicedesk@homestyles-furniture.com**

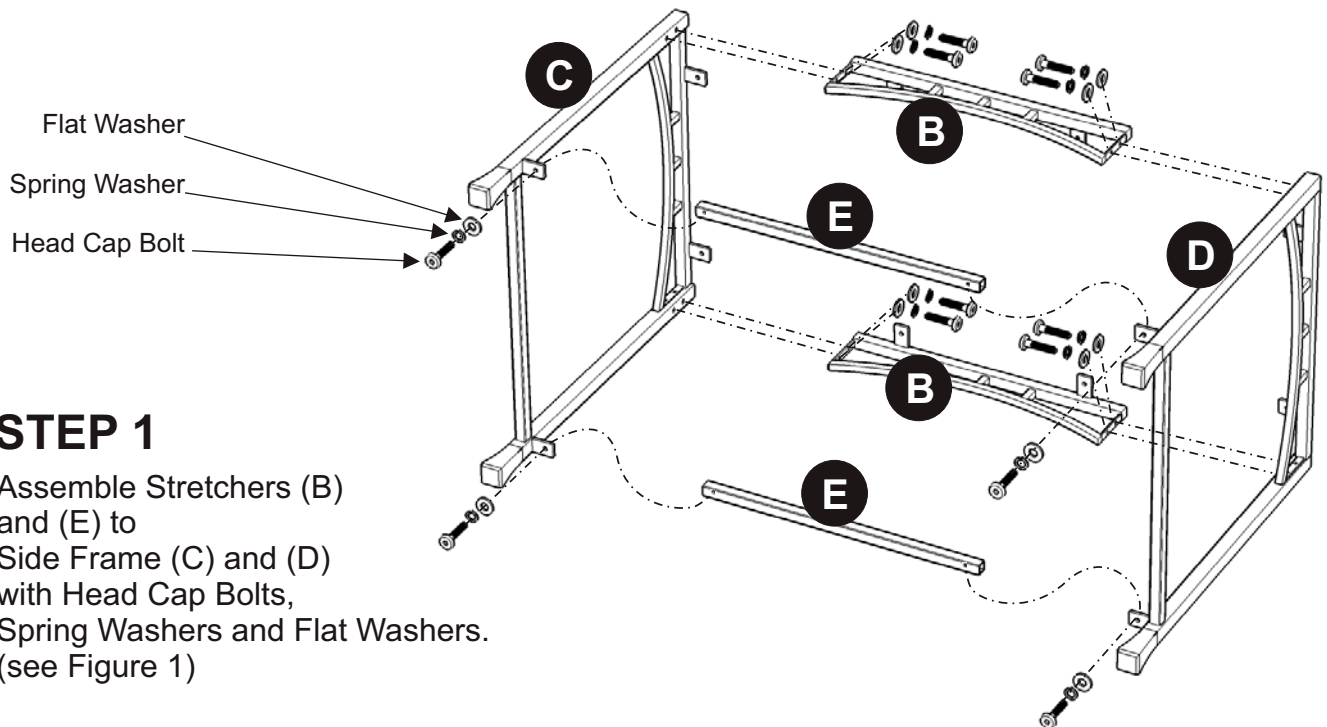
Assembly Instructions 2/2

IMPORTANT

* Do not tighten up all the screws until each part is properly assembled.

* You should keep Hex Wrench in a safe place as you may need to tighten up the Head Cap Bolts in the future.

* Use a soft cloth between these parts and the floor.



STEP 1

Assemble Stretchers (B) and (E) to Side Frame (C) and (D) with Head Cap Bolts, Spring Washers and Flat Washers. (see Figure 1)

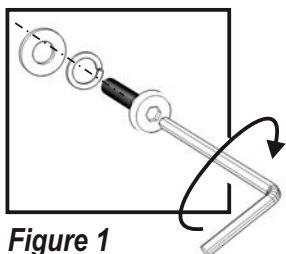


Figure 1

STEP 2

Attach unit onto Cabinet (A) with Wood Screws.

Turn unit to its upright position.

To level the unit, adjust the adjustable levelers on the bottom of unit. (see Figure 2)

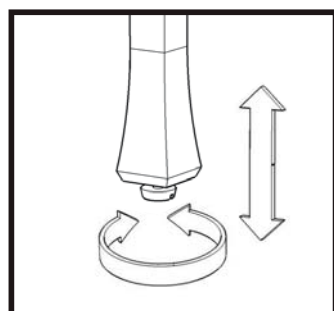
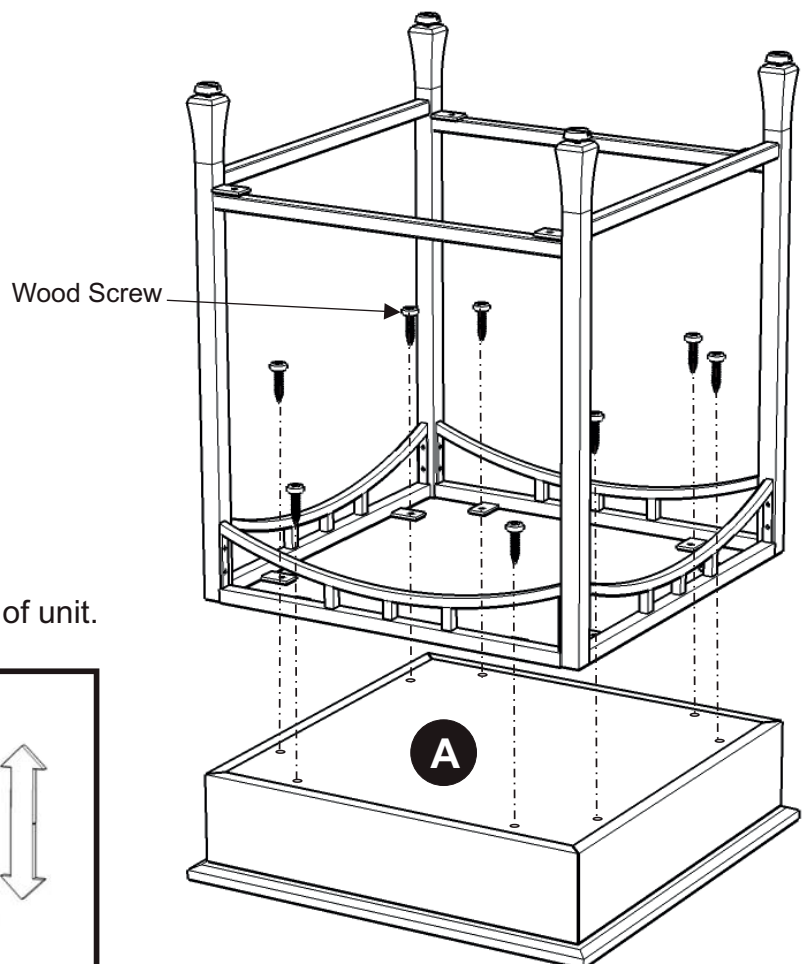


Figure 2