

88 5050 15 Modern Craftsman Executive Desk

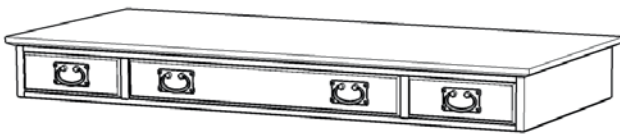


IMPORTANT NOTE

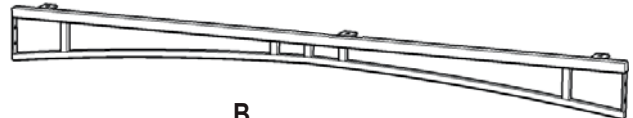
Carefully remove all the parts from the carton and put them individually on a soft cloth to prevent scratches or other damages occurring to the parts.

We have taken great care in the design of this product and request that you carefully and strictly follow our assembly instructions to ensure a completed product as it was designed.

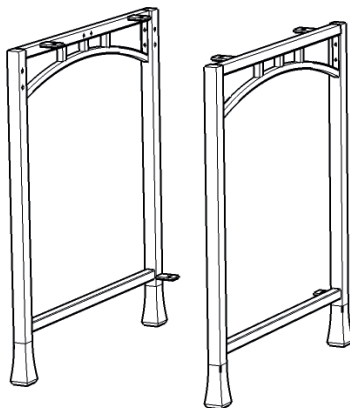
Part List



A.
Cabinet
1 pc.



B.
Stretcher
2 pcs.



C.
Side Frame
1 pc.

D.
Side Frame
1 pc.



E.
Stretcher
1 pc.



F.
Stretcher
1 pc.

Hardware List



Hex Wrench
1 pc.



Small Hex Wrench
1 pc.



Head Cap Bolt
14 pcs. (+1 extra)



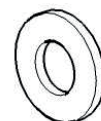
Wood Screw
10 pcs. (+1 extra)



Wood Screw (long)
3 pcs. (+1 extra)



Spring Washer
14 pcs. (+1 extra)



Flat Washer
14 pcs. (+1 extra)

Tools required for assembly : **Phillips** screwdriver

Tools recommended for assembly :Level

Home Styles Consumer Assistance Line 888-680-7460 and 877-831-0319
servicedesk@homestyles-furniture.com

Assembly Instructions 2/3

IMPORTANT

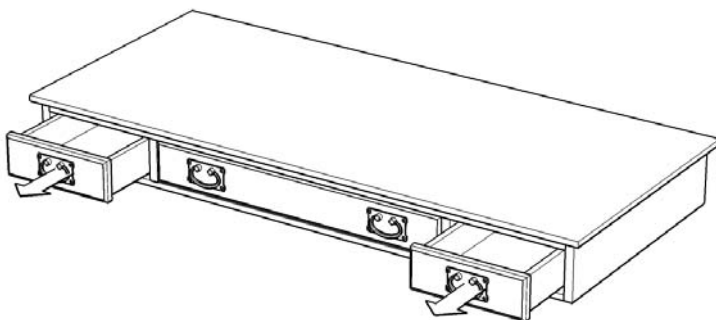
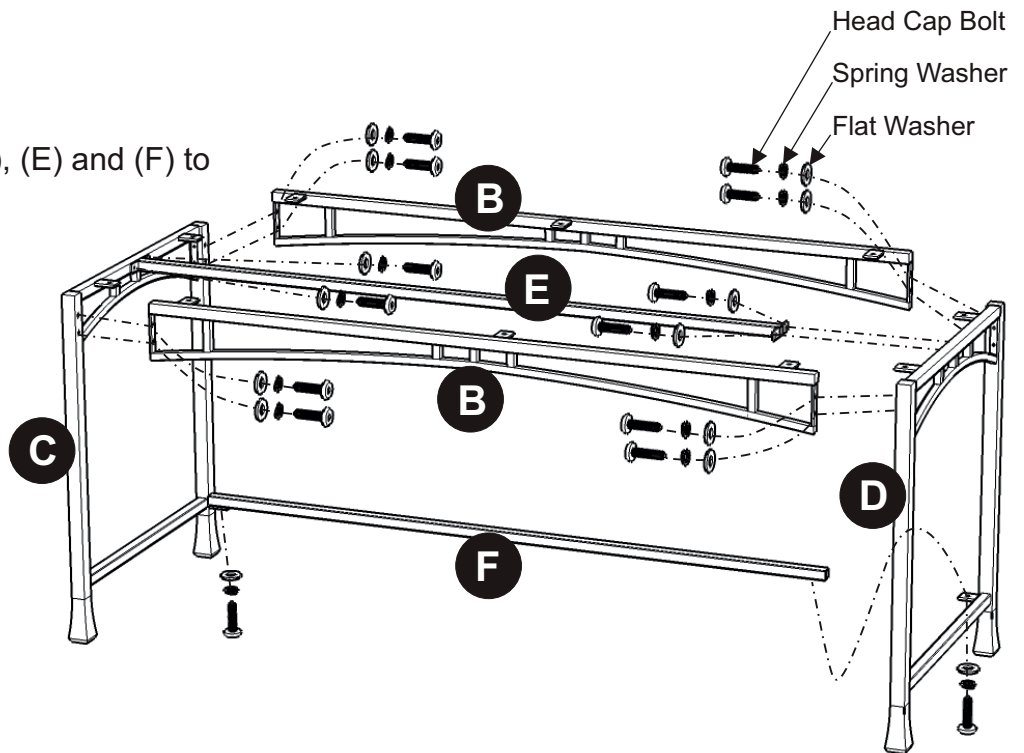
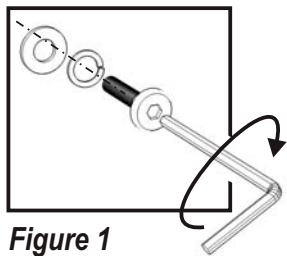
* Do not tighten up all the screws until each part is properly assembled.

* You should keep Hex Wrench in a safe place as you may need to tighten up the Head Cap Bolts in the future.

* Use a soft cloth between these parts and the floor.

STEP 1

Assemble Stretchers (B), (E) and (F) to Side Frame (C) and (D) with Head Cap Bolts, Spring Washers and Flat Washers. (See figure 1)



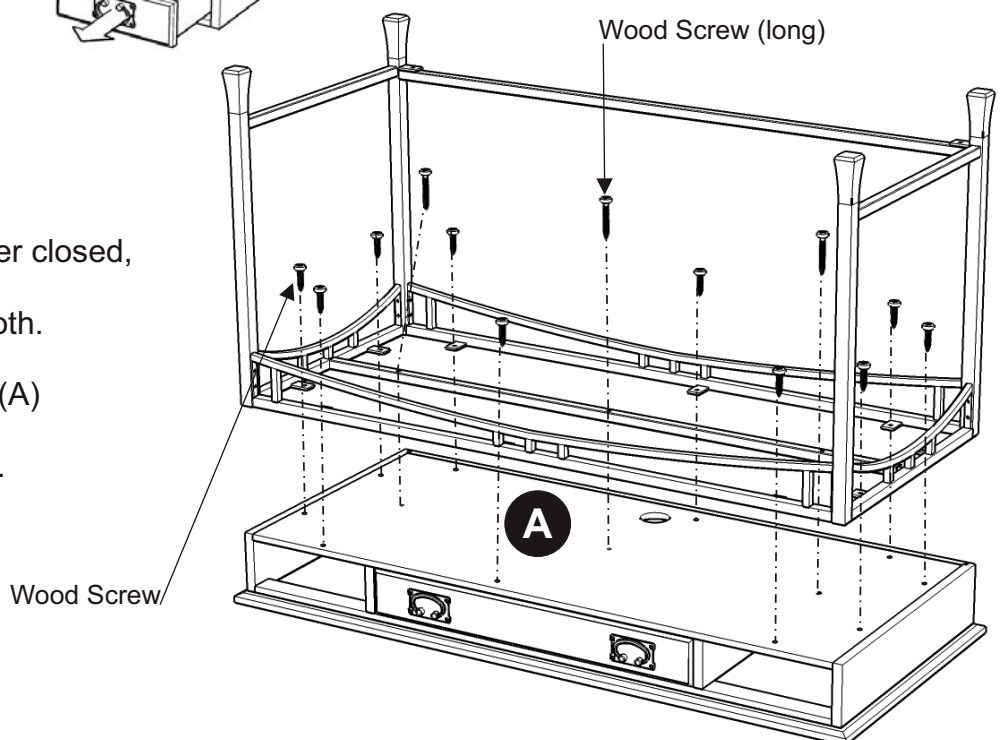
STEP 2

Remove the outside drawers.

STEP 3

Keeping the center drawer closed, place Cabinet (A) upside down on a soft cloth.

Attach unit onto Cabinet (A) with Wood Screws and Wood Screws (long).



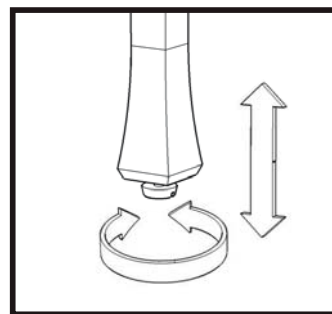
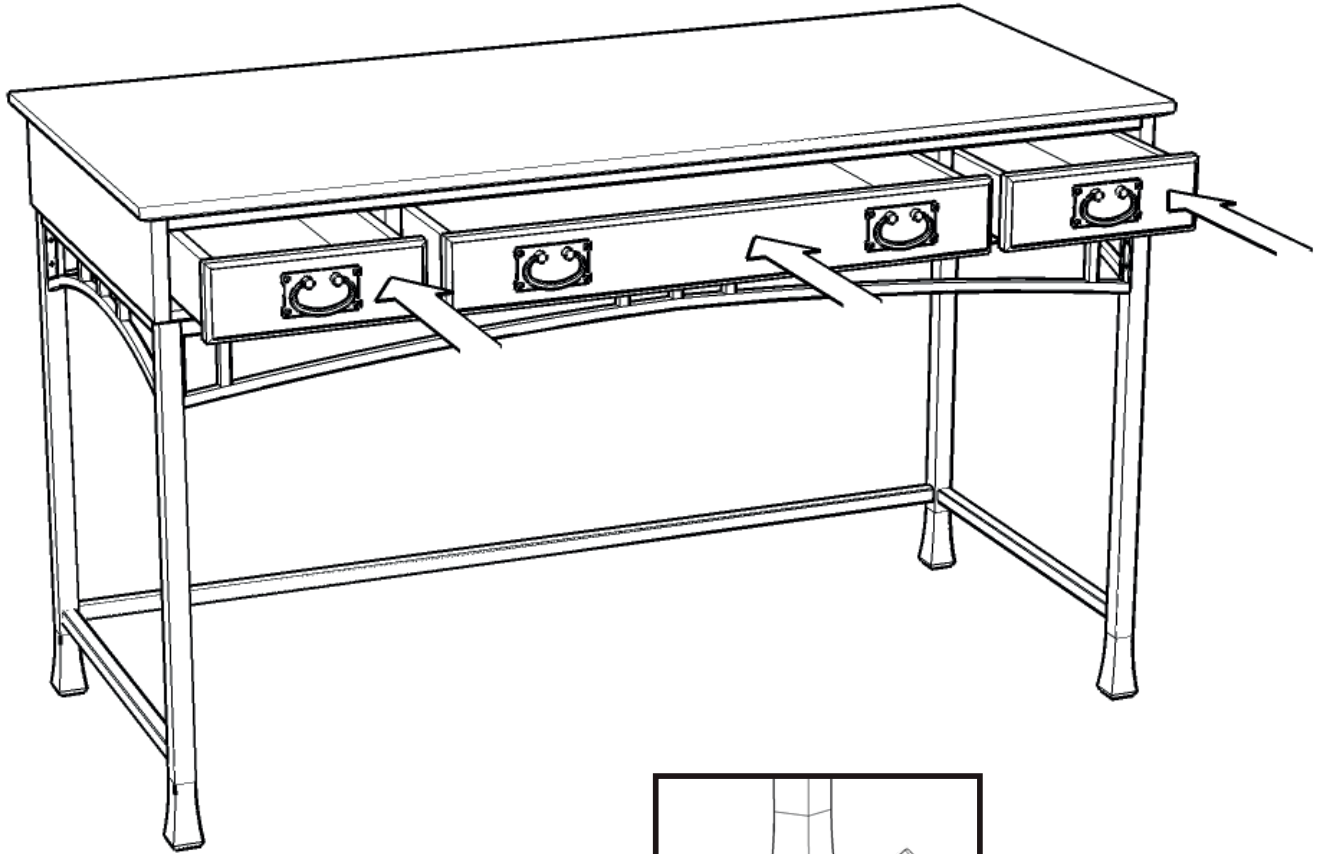


Figure 2

STEP 4

Keeping the center drawer closed, turn unit over to its' upright position.

Re-install the outside drawers.

To level the unit, adjust the adjustable levelers on the bottom of unit. (see Figure 2)