

88 5182 41 Art & Crafts Chest

White Finish

IMPORTANT NOTE

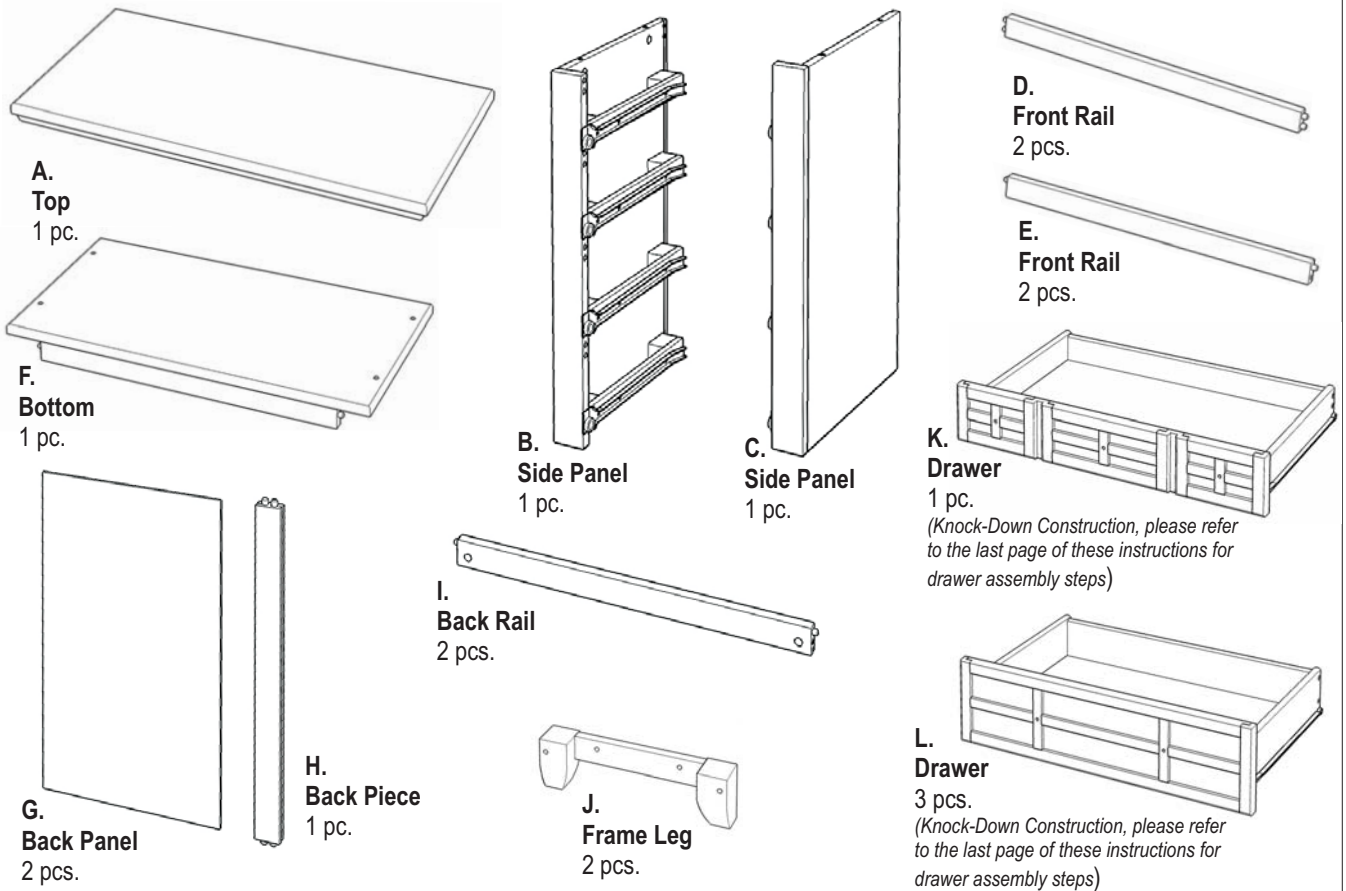
Carefully remove all the parts from the carton and put them individually on a soft cloth to prevent scratches or other damages occurring to the wood parts.

We have taken great care in the design of this product and request that you carefully and strictly follow our assembly instructions to ensure a completed product as it was designed.

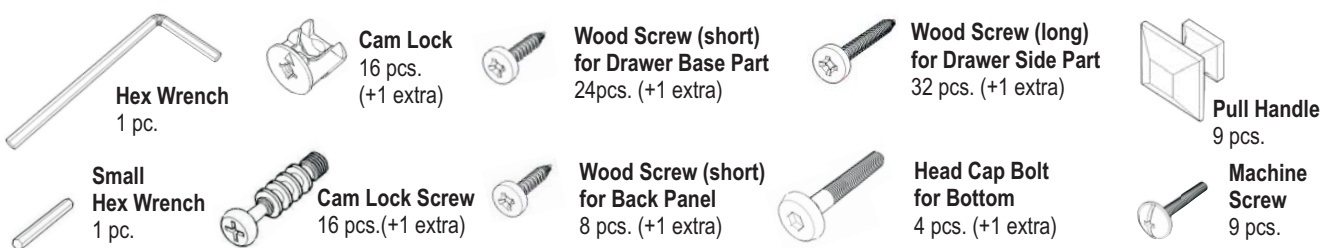
Home
Styles



Part List



Hardware List



Tools required for assembly : **Phillips** screwdriver

Tools recommended for assembly :Level

Home Styles Consumer Assistance Line 888-680-7460 and 877-831-0319
servicedesk@homestyles-furniture.com

Assembly Instructions 2/6

IMPORTANT

- * Do not tighten up all the screws until each part is properly assembled.
- * You should keep Hex Wrench in a safe place as you may need to tighten up the Head Cap Bolts in the future.
- * After assembly item must be level to work properly. Use the included adjustable levelers to level.

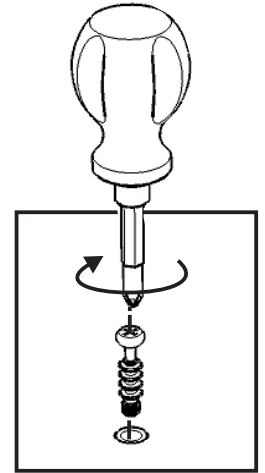
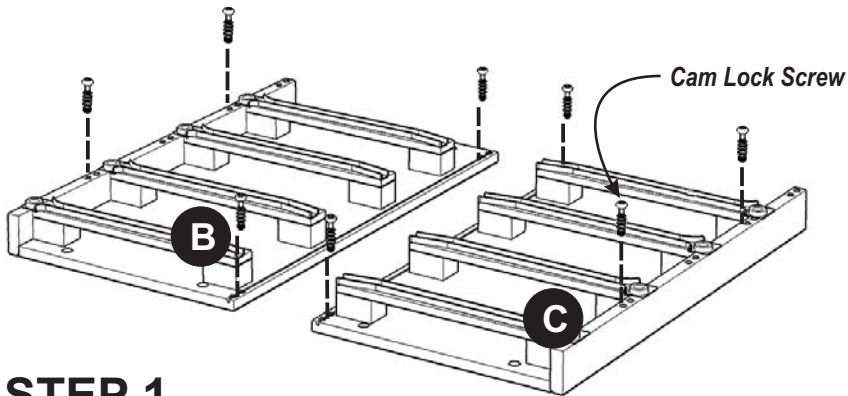


Figure 1

STEP 1

Insert Cam Lock Screws into the pre-drilled holes of Side Panel (B), (C) Top (A) and Bottom (F) (See figure 1)

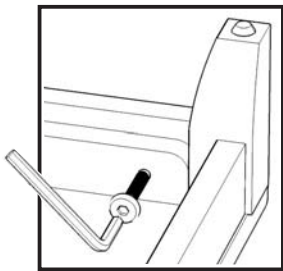
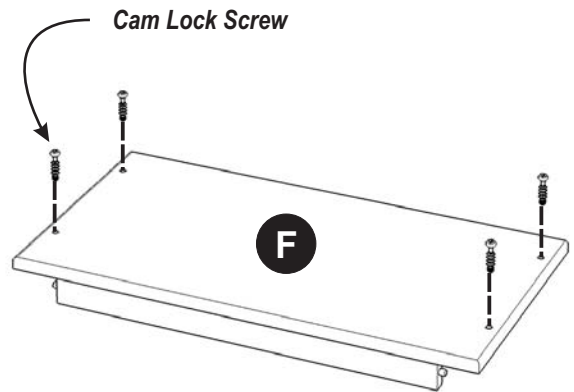
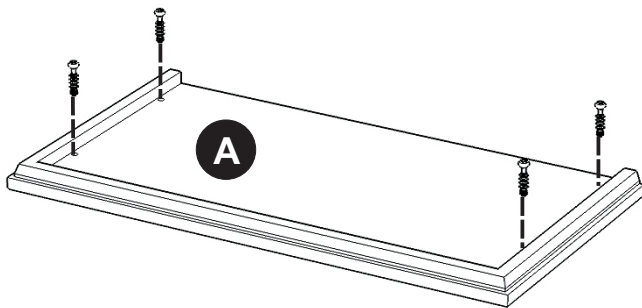
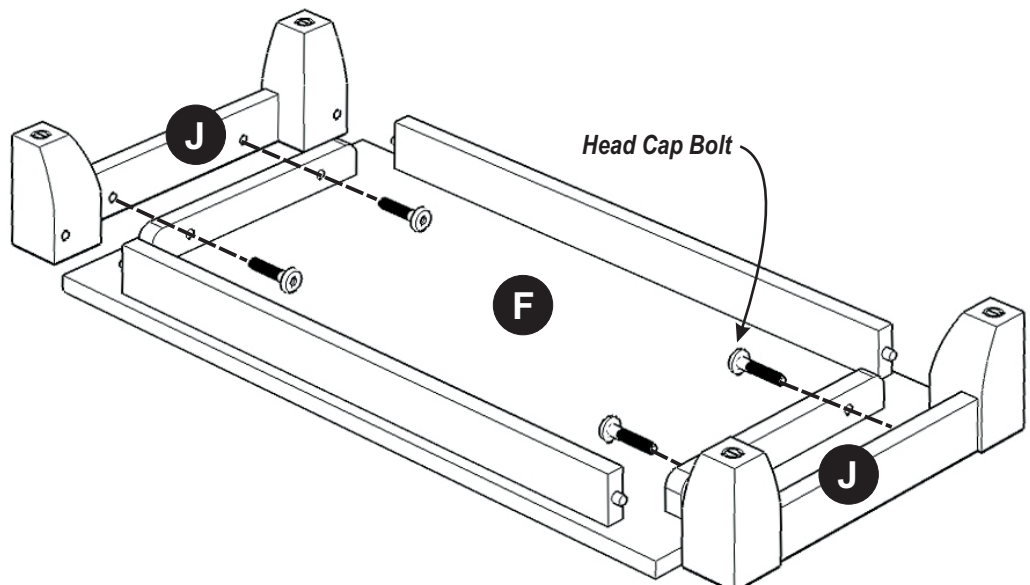


Figure 2

STEP 2

Attach Frame Leg (J) to Bottom (F) with Head Cap Bolts. (See figure 2)



STEP 3

Attach Side Panel (B) to the unit with Cam Locks.

Attach Back Rail (I) to Side Panel (B) with Cam Locks. (See figure 3)

Slide Back Panel (G) and place Back Piece (H) into the unit.

Attach Back Rail (I) to the unit with Cam Lock.

Attach Front Rail (D) and (E) to the unit with Cam Locks.

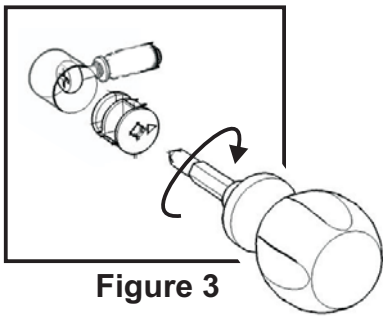
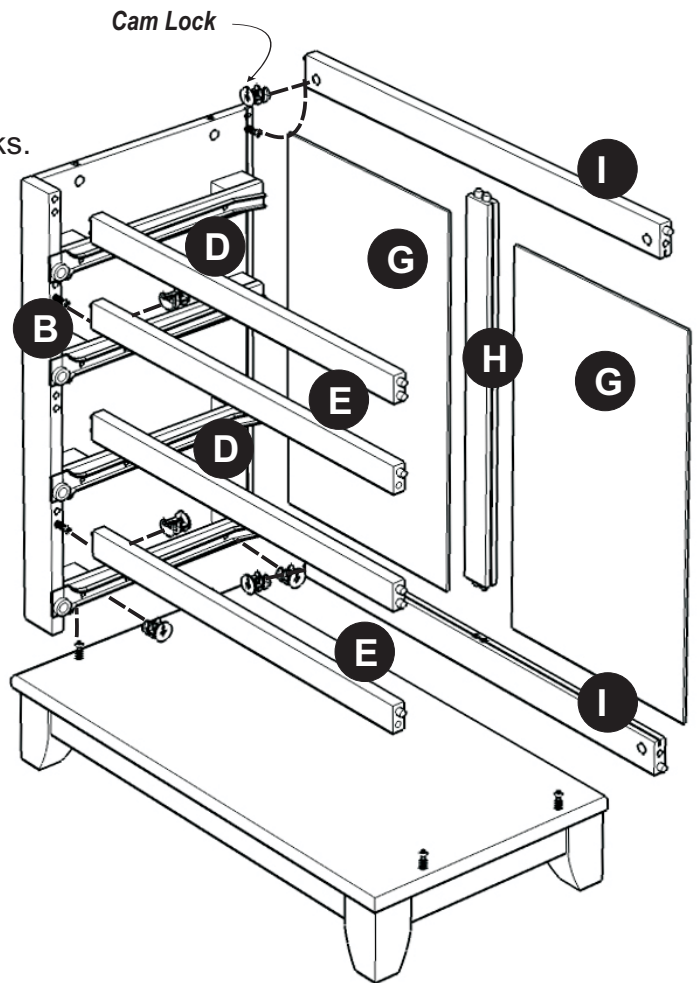
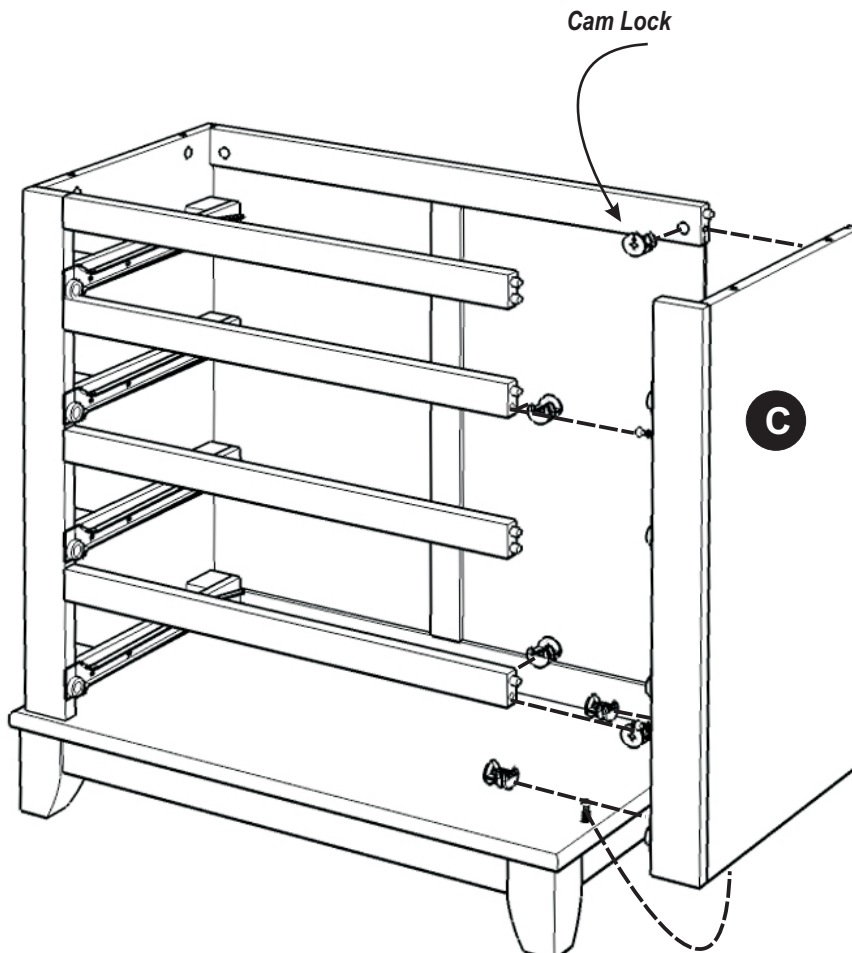


Figure 3

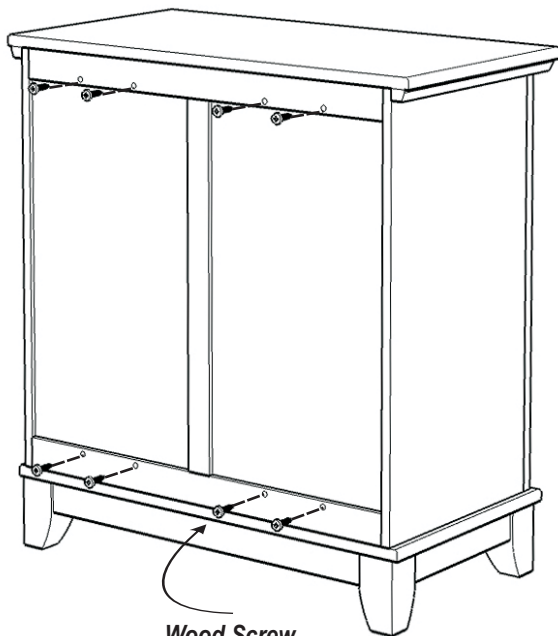


STEP 4

Attach Side Panel (C) to the unit with Cam Locks. (See figure 3)

STEP 5

Attach Top (A) to the unit with Cam Locks.

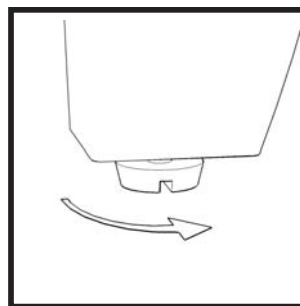


Wood Screw
for Back Panel

STEP 6

Insert 8X Wood Screws from the back of the unit, tighten up all the Wood Screws. (See figure 4)

Note: Please make sure unit is level before tightening these screws.



To level the unit, adjust the adjustable levelers on the bottom of legs.

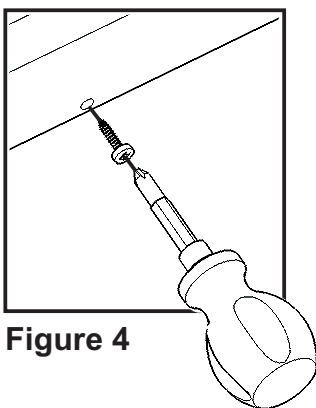
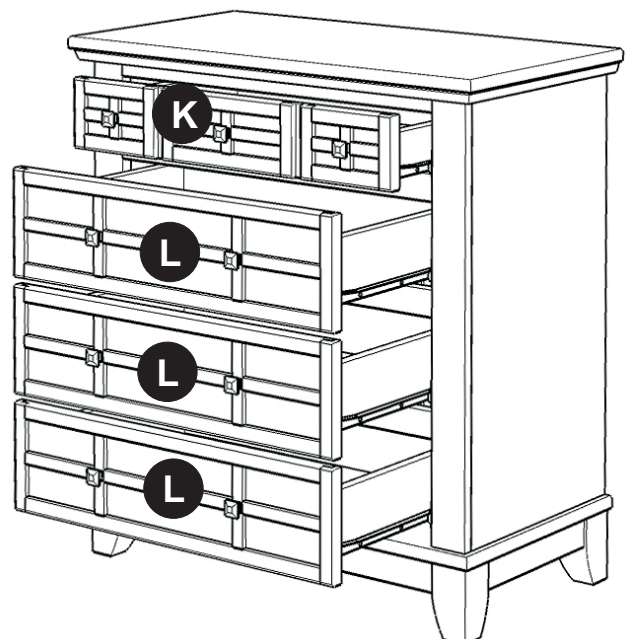


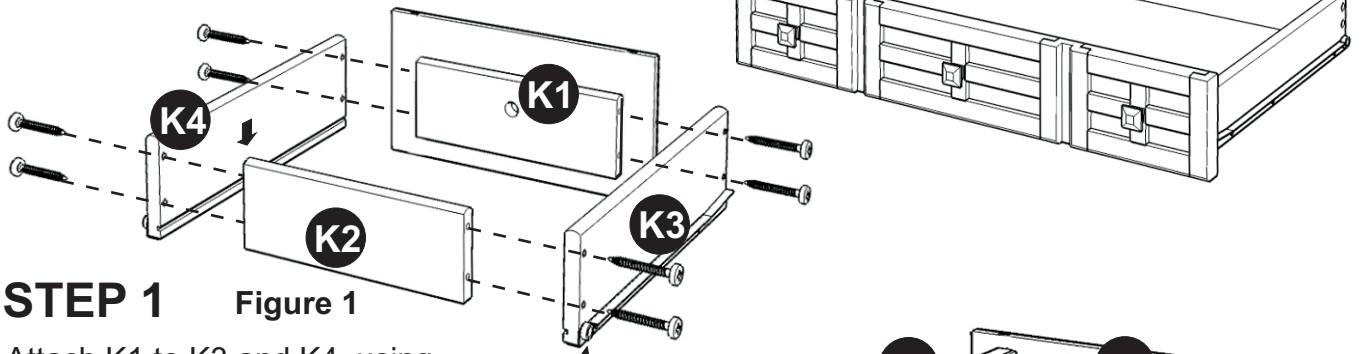
Figure 4

STEP 7

Slide Drawer (K) and (L) into place.



Drawer (K)



STEP 1 Figure 1

Attach K1 to K3 and K4, using a Phillips screwdriver and long wood screws (4X), tighten halfway.

Attach K2 to K3 and K4 using long wood screws (4X), tighten halfway. (see Figure 1)

MAKE SURE ROLLER IS ON THE BACK

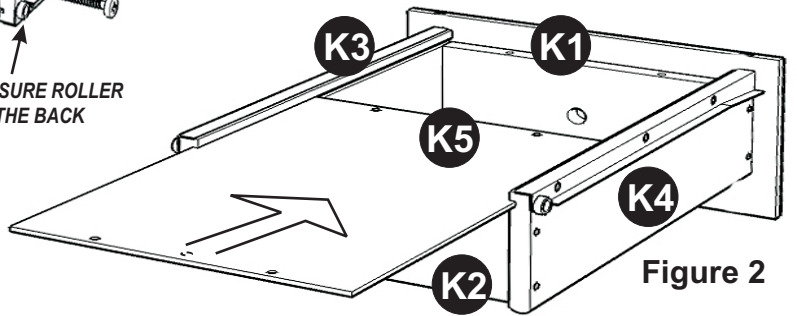


Figure 2

STEP 2

Slide K5 into the grooves in K3 and K4. Be sure to push K5 all the way forward so it meets K1. (see Figure 2)

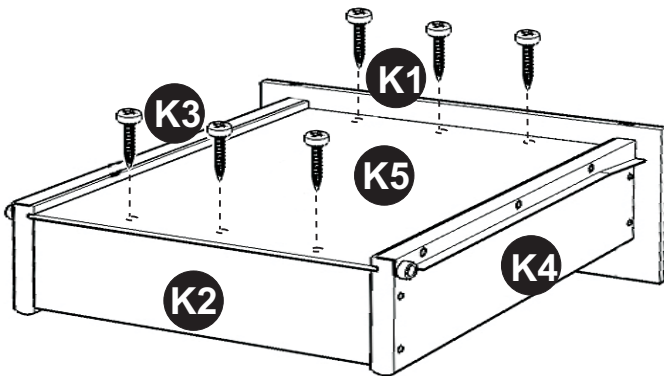


Figure 3

STEP 3

Insert short wood screws (6X) into the pre-drilled holes in K5, tighten screws. (see Figure 3)

STEP 4

Assemble Pull Handle with machine screws. (see Figure 4)

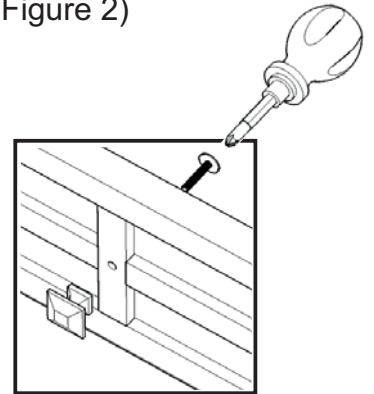
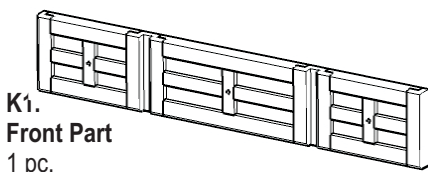


Figure 4

Tighten all screws used in drawer assembly.

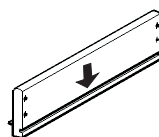
Part List



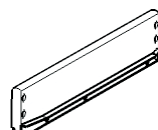
K1.
Front Part
1 pc.



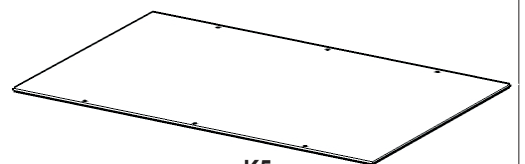
K2.
Back Part
1 pc.



K3.
Side Part
1 pc.

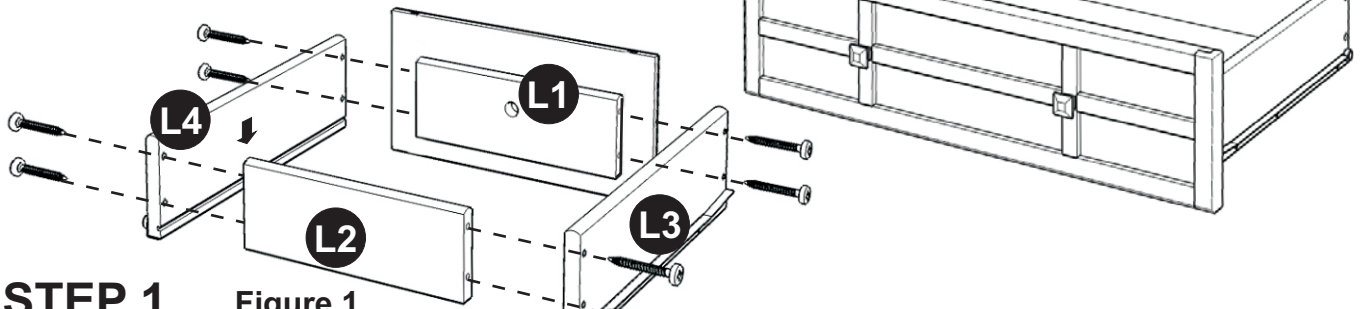


K4.
Side Part
1 pc.



K5.
Base Part
1 pc.

Drawer (L)



STEP 1 Figure 1

Attach L1 to L3 and L4, using a Phillips screwdriver and long wood screws (4X), tighten halfway.

Attach L2 to L3 and L4 using long wood screws (4X), tighten halfway. (see Figure 1)

MAKE SURE ROLLER IS ON THE BACK

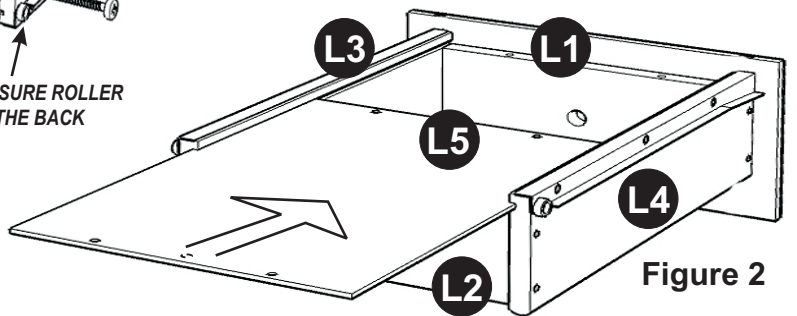


Figure 2

STEP 2

Slide L5 into the grooves in L3 and L4. Be sure to push L5 all the way forward so it meets L1. (see Figure 2)

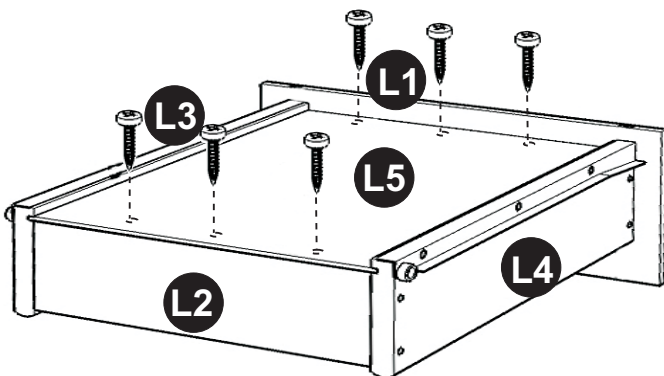


Figure 3

STEP 3

Insert short wood screws (6X) into the pre-drilled holes in L5, tighten screws. (see Figure 3)

STEP 4

Assemble Pull Handle with machine screws. (see Figure 4)

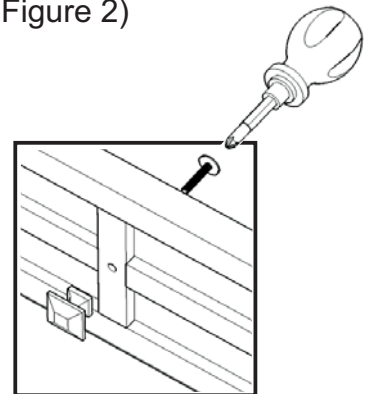
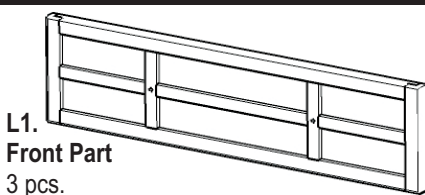


Figure 4

Tighten all screws used in drawer assembly.

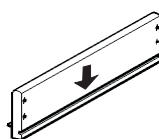
Part List



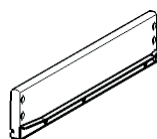
L1.
Front Part
3 pcs.



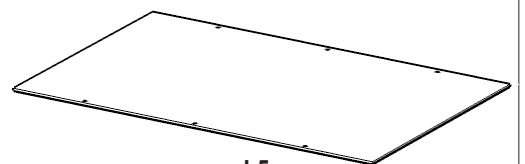
L2.
Back Part
3 pcs.



L3.
Side Part
3 pcs.



L4.
Side Part
3 pcs.



L5.
Base Part
3 pcs.