

# 88 5900 81

## Arts & Crafts

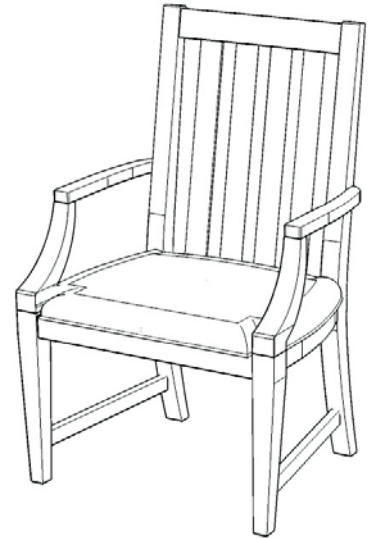
### Game Chair

#### IMPORTANT NOTE

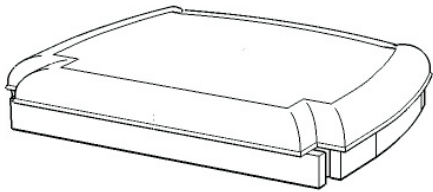
Carefully remove all the parts from the carton and put them individually on a soft cloth to prevent scratches or other damages occurring to the wood parts.

We have taken great care in the design of this product and request that you carefully and strictly follow our assembly instructions to ensure a completed product as it was designed.

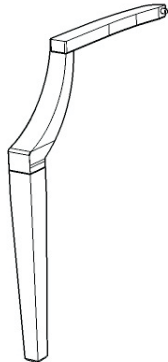
*Home Styles*



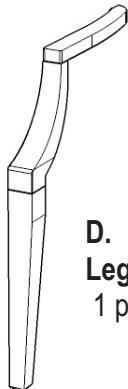
## Part List



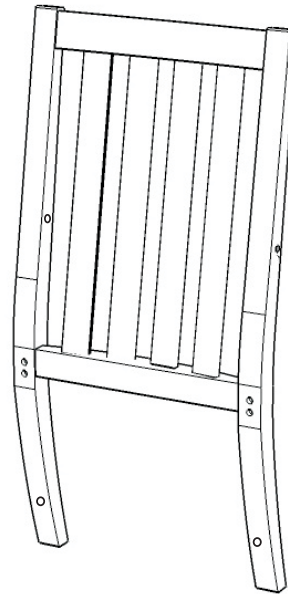
**A.**  
**Seat**  
1 pc.



**C.**  
**Leg**  
1 pc.



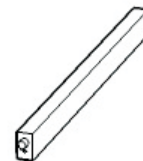
**D.**  
**Leg**  
1 pc.



**B.**  
**Back Frame**  
1 pc.



**E.**  
**Stretcher**  
1 pc.



**F.**  
**Stretcher**  
1 pc.

## Hardware List



**Small Hex Wrench**  
1 pc.



**Key Wrench**  
1 pc.



**Head Cap Bolt (long)**  
4 pcs.(+1 extra)



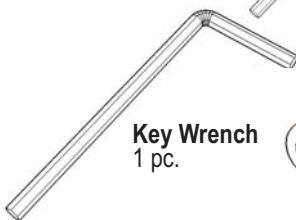
**Head Cap Bolt (short)**  
4 pcs.(+1 extra)



**Flat Washer**  
8 pcs.(+1 extra)



**Wood Plug**  
2 pcs.(+1 extra)



**Key Wrench**  
1 pc.



**Wood Screw**  
4 pcs.(+1 extra)



**Head Cap Bolt (small)**  
2 pcs.(+1 extra)



**Spring Washer**  
8 pcs.(+1 extra)

**Tools required for assembly:** Phillips screwdriver

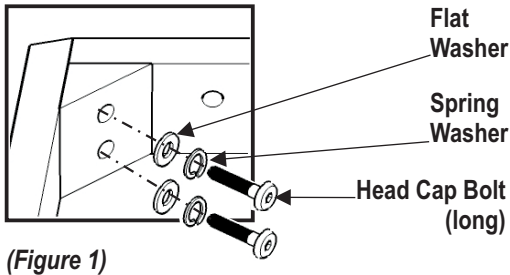
**Home Styles Consumer Assistance:** [www.homestyles-furniture.com](http://www.homestyles-furniture.com),  
[servicedesk@homestyles-furniture.com](mailto:servicedesk@homestyles-furniture.com), 888-680-7460, 877-831-0319

# Assembly Instructions

## IMPORTANT

\* Do not tighten up all the screws until each part is properly assembled.

\* You should keep Hex Wrench in a safe place as you may need to tighten up the Head Cap Bolts in the future.



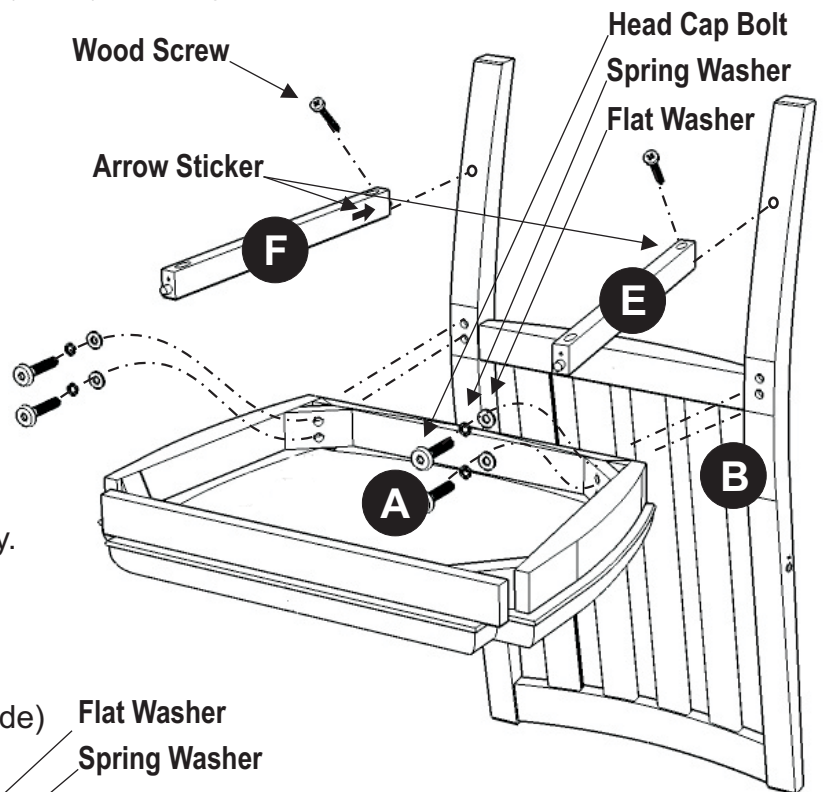
(Figure 1)

## STEP 1

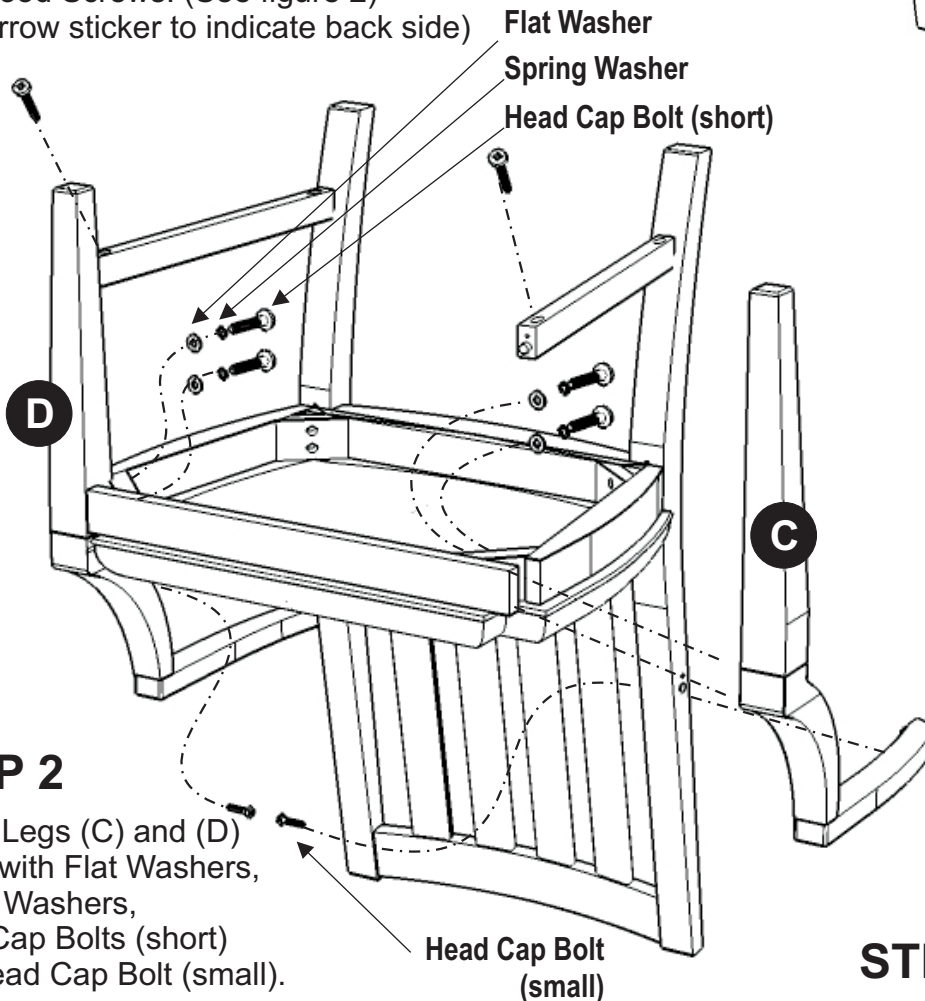
Attach Back Frame (B) to Seat (A) with Flat Washers, Spring Washers, Head Cap Bolts (long).

Tighten Head Cap Bolts only half way.  
(See figure 1)

Attach Stretcher (E) and (F) to unit with Wood Screws. (See figure 2)  
(See arrow sticker to indicate back side)



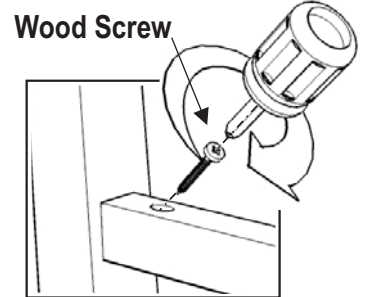
Attach Stretcher (E) and (F) to unit with Wood Screws. (See figure 2)  
(See arrow sticker to indicate back side)



## STEP 2

Attach Legs (C) and (D) to unit with Flat Washers, Spring Washers, Head Cap Bolts (short) and Head Cap Bolt (small).

Tighten up all Head Cap Bolts.



(Figure 2)

## STEP 3

Cover up all holes with Wood Plugs.

