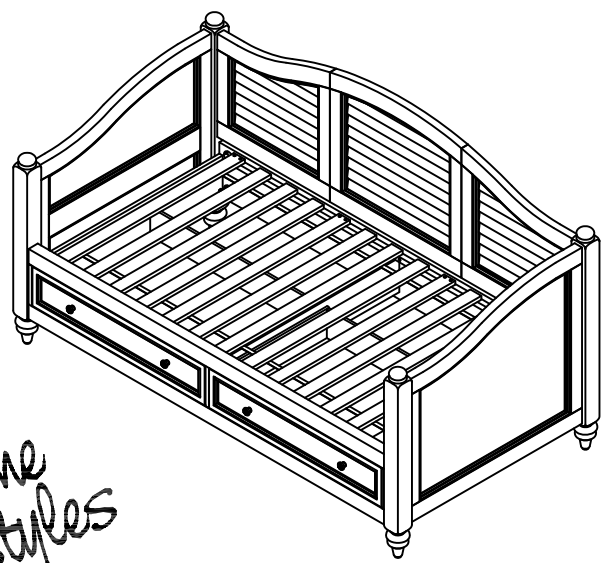


88 5543 851

Bermuda Daybed



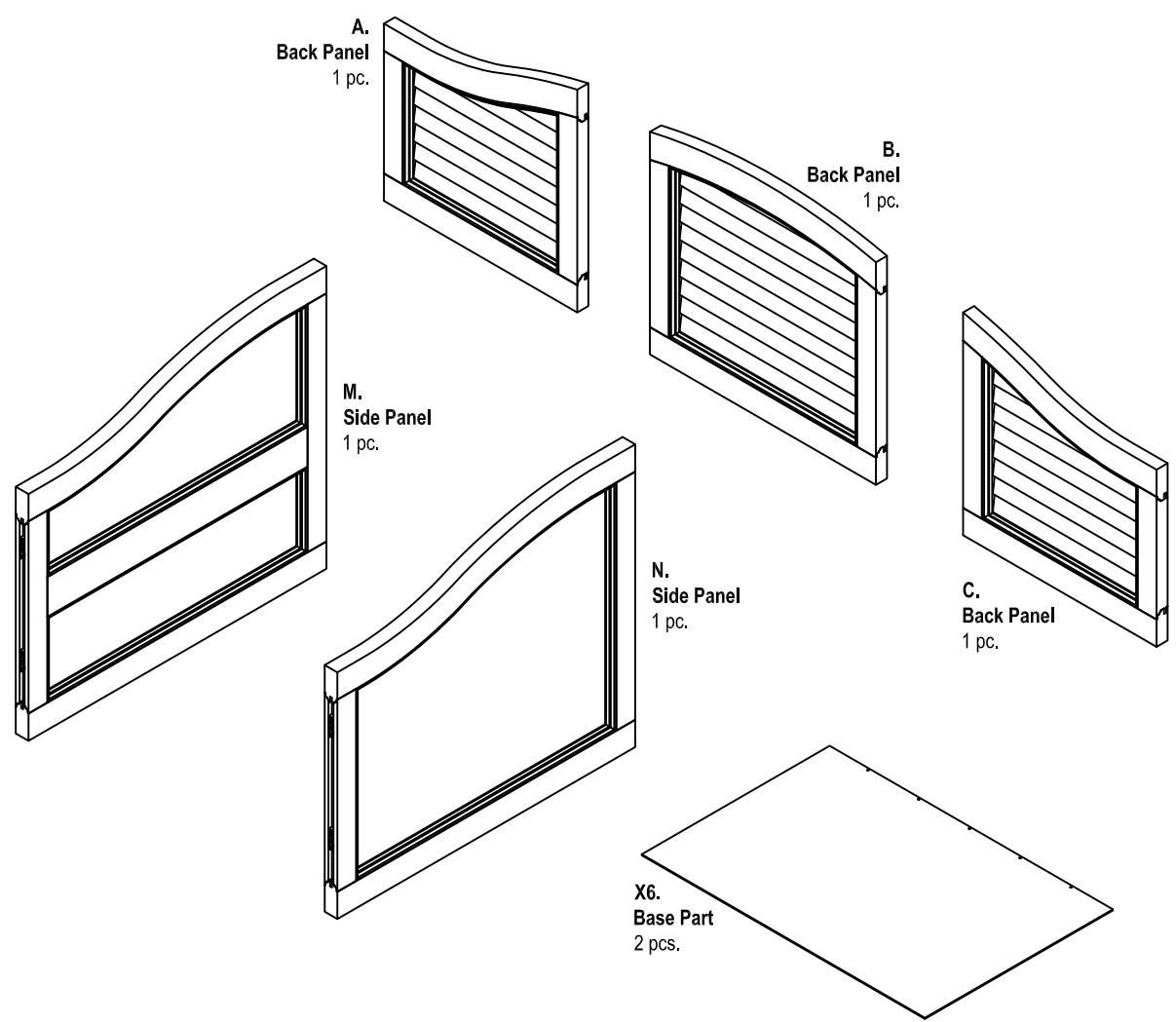
Home Styles

IMPORTANT NOTE

Carefully remove all the parts from the carton and put them individually on a soft cloth to prevent scratches or other damages occurring to the parts.

We have taken great care in the design of this product and request that you carefully and strictly follow our assembly instructions to ensure a completed product as it was designed.

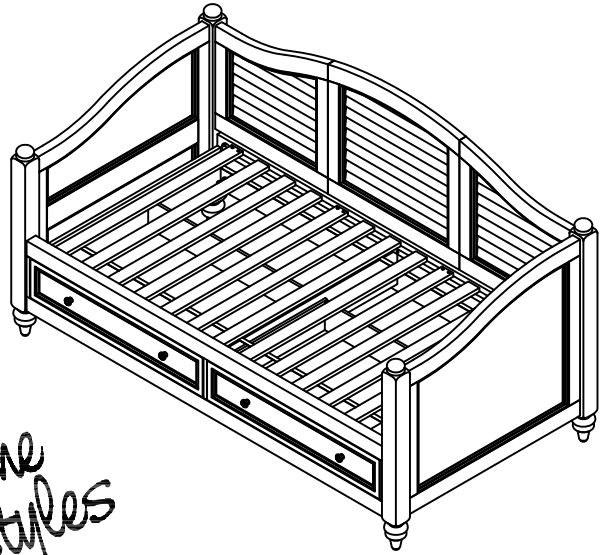
Part List



For assembly see instructions in carton 88 5543 852

Home Styles Consumer Assistance Line 888-680-7460 and 877-831-0319
servicedesk@homestyles-furniture.com

88 5543 852 Bermuda Daybed



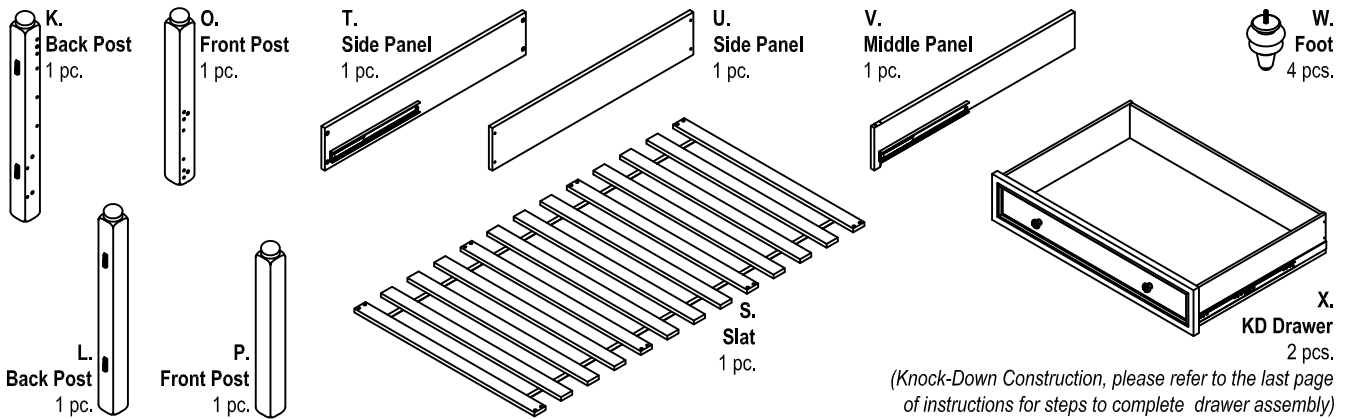
Home
Styles

IMPORTANT NOTE

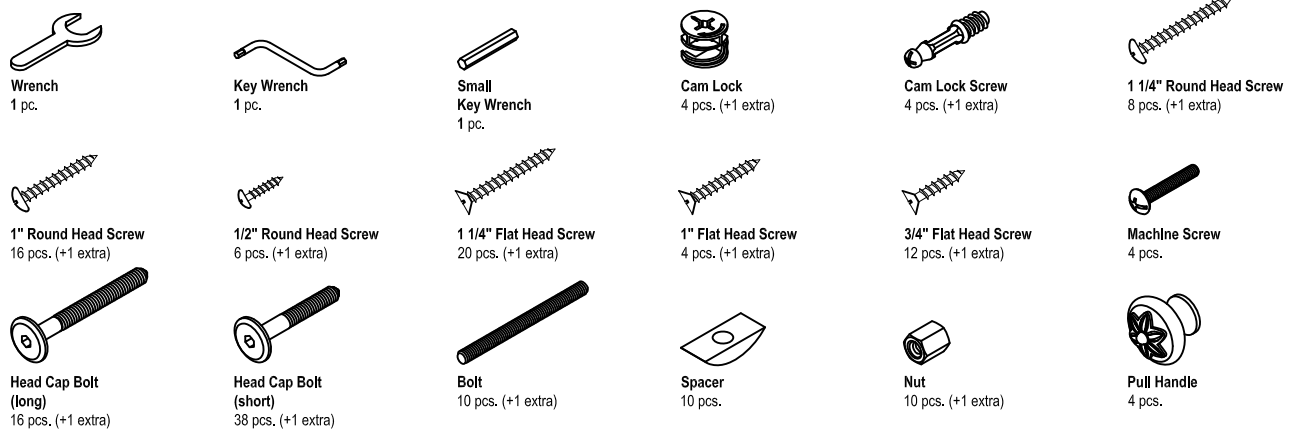
Carefully remove all the parts from the carton and put them individually on a soft cloth to prevent scratches or other damages occurring to the parts.

We have taken great care in the design of this product and request that you carefully and strictly follow our assembly instructions to ensure a completed product as it was designed.

Part List



Hardware List



For assembly also need the following :

88 5543 851 Bermuda Daybed		Carton quantity: 1	88 5543 853 Bermuda Daybed		Carton quantity: 1
A. Back Panel	1 pc.	M. Side Panel	1 pc.	D. Corner Cleat	2 pcs.
B. Back Panel	1 pc.	N. Side Panel	1 pc.	E. Short Cleat	2 pcs.
C. Back Panel	1 pc.	X6. Base Part	2 pcs.	F. Long Cleat	2 pcs.
				G. Short Cleat	2 pcs.
				H. Long Cleat	2 pcs.
				I. Stretcher	1 pc.
				J. Back Rail	1 pc.
				Q. Front Rail	1 pc.
				R. Front Rail	1 pc.

Tools Required For Assembly : Phillips screwdriver

Tools Recommended For Assembly : Level

Home Styles Consumer Assistance Line 888-680-7460 and 877-831-0319
servicedesk@homestyles-furniture.com

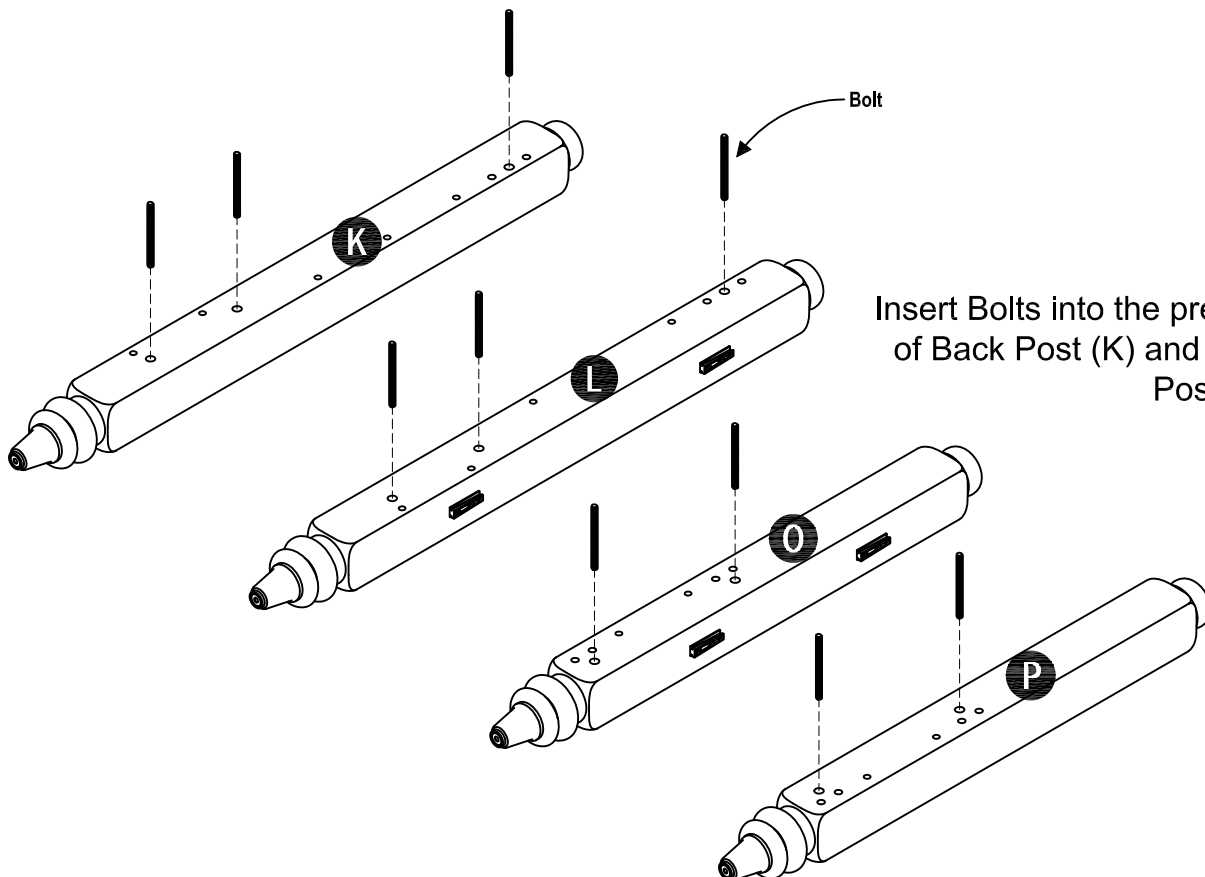
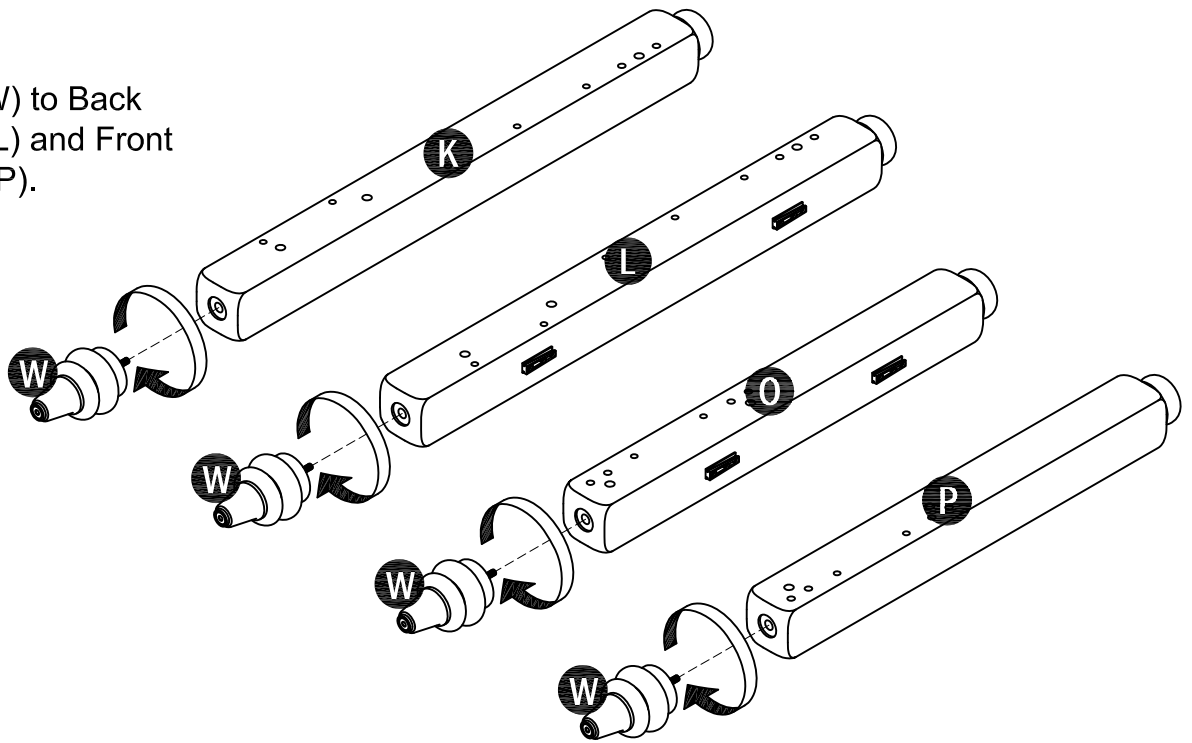
Assembly Instructions 2/10

IMPORTANT

- * Please keep Key Wrench in a safe place as you may need to tighten up the Head Cap Bolts in the future.
- * Do not tighten up all the screws until each part is properly assembled.
- * Use a soft cloth between these parts and the floor.
- * After assembly, item must be level to work properly. Use the included adjustable levels.

STEP 1

Attach Foot (W) to Back Post (K) and (L) and Front Post (O) and (P).



STEP 2

Insert Bolts into the pre-bored holes of Back Post (K) and (L) and Front Post (O) and (P).

Assembly Instructions 3/10

STEP 3

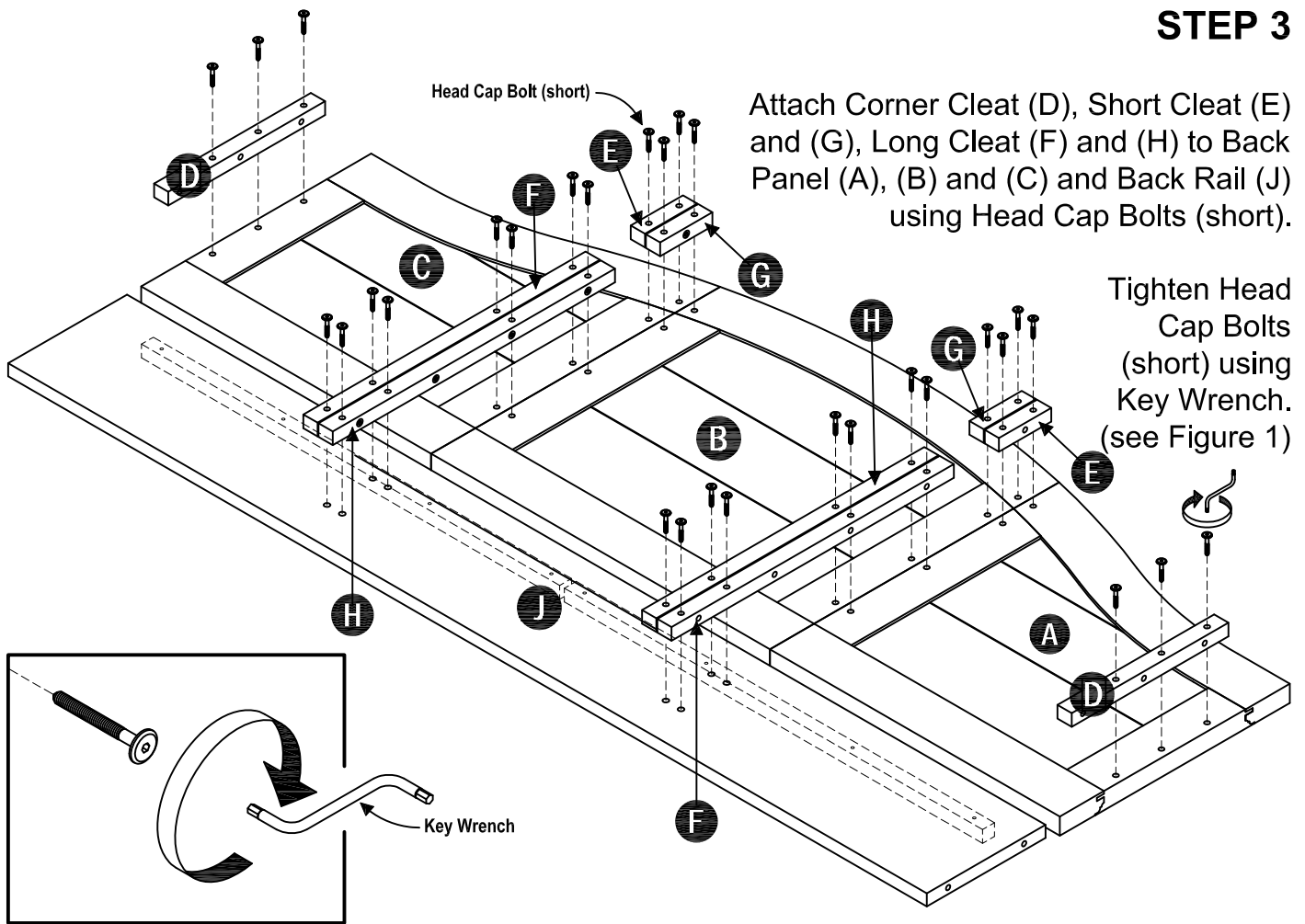
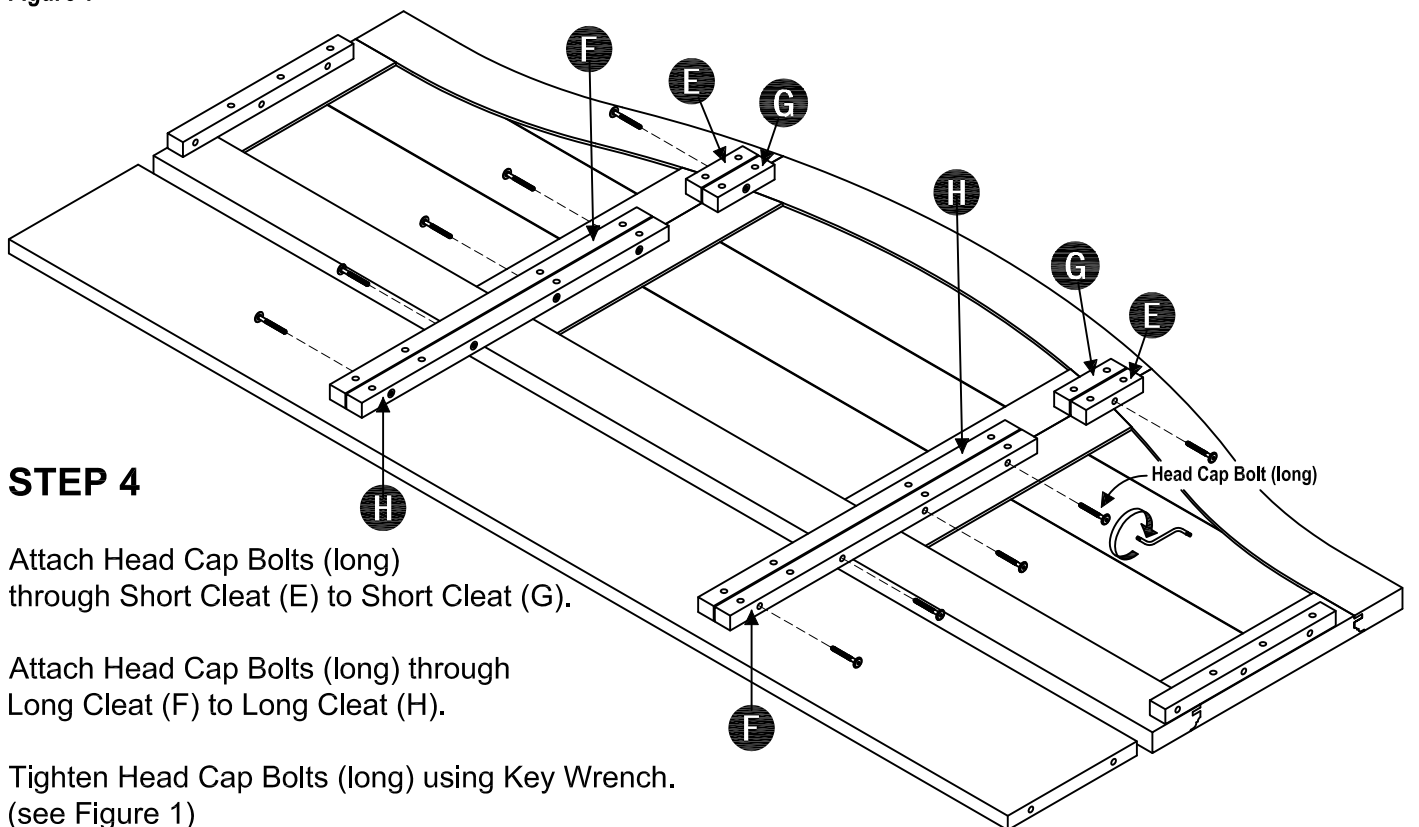


Figure 1



STEP 4

Attach Head Cap Bolts (long) through Short Cleat (E) to Short Cleat (G).

Attach Head Cap Bolts (long) through Long Cleat (F) to Long Cleat (H).

Tighten Head Cap Bolts (long) using Key Wrench (see Figure 1)

Assembly Instructions 4/10

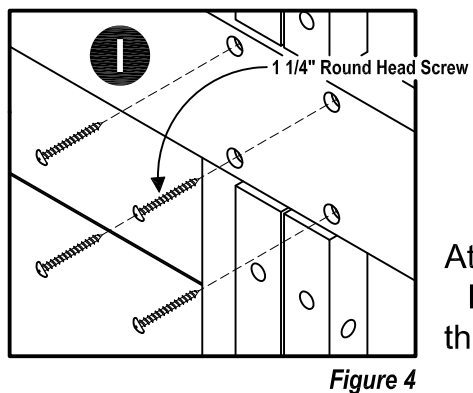
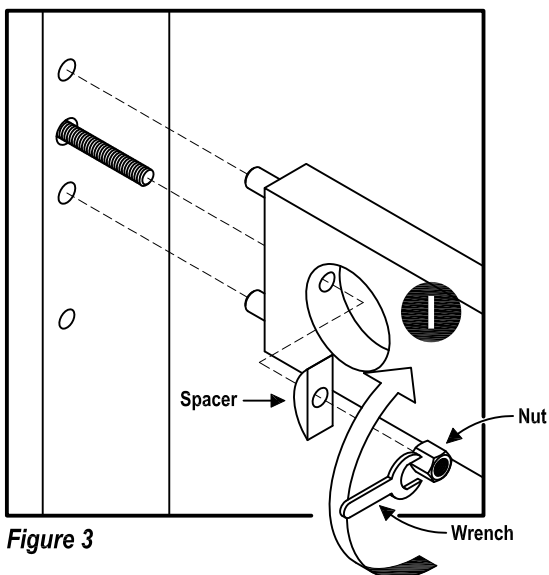
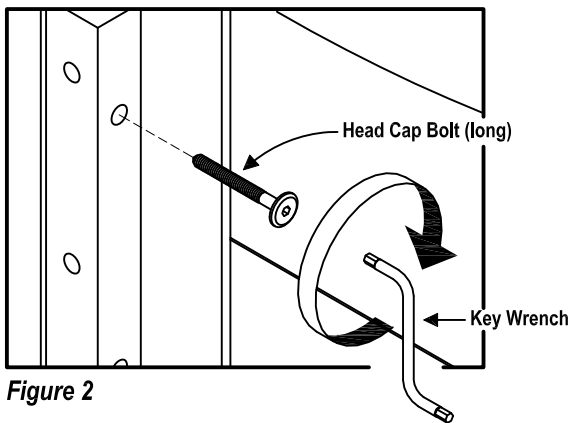
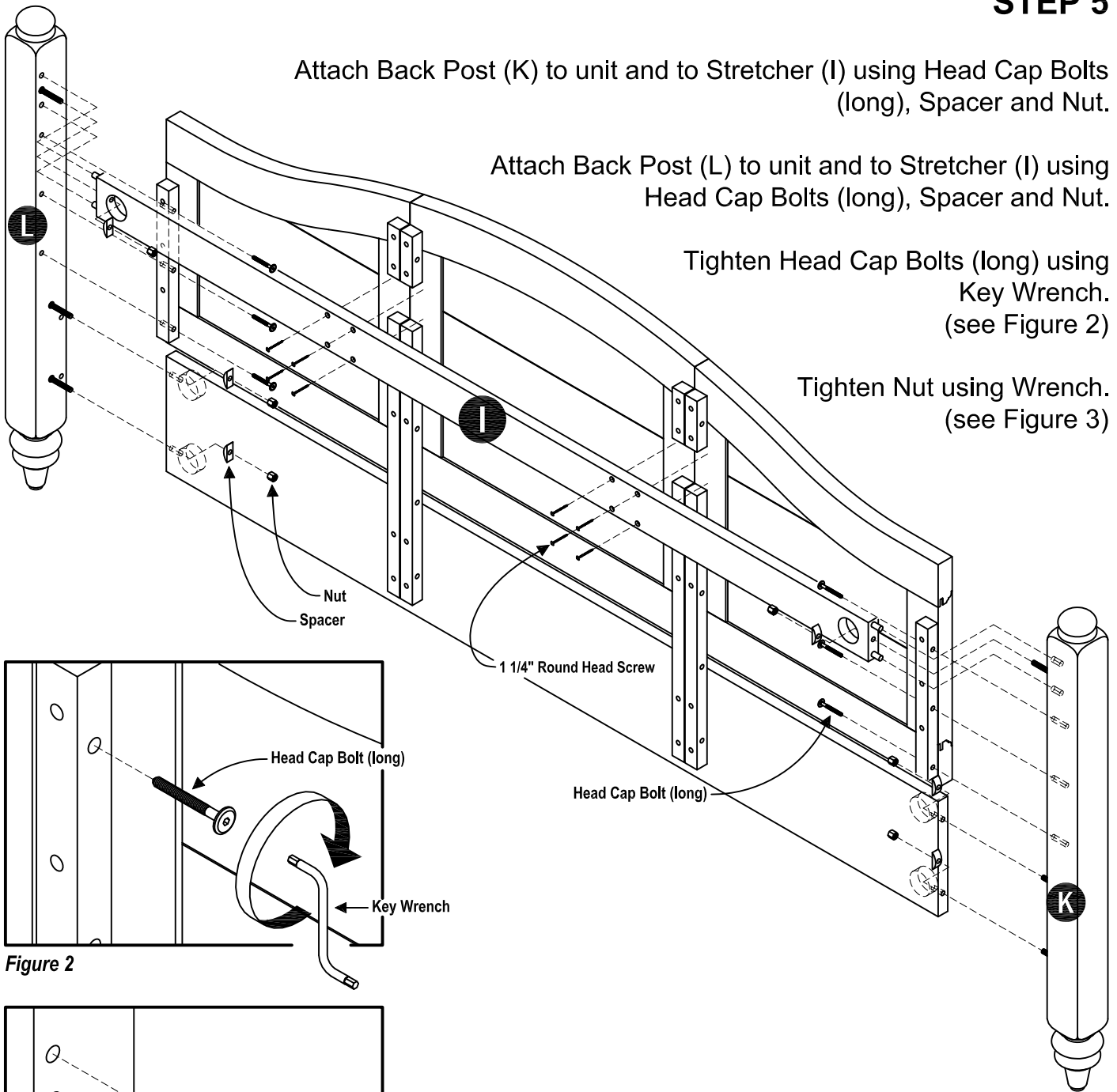
STEP 5

Attach Back Post (K) to unit and to Stretcher (I) using Head Cap Bolts (long), Spacer and Nut.

Attach Back Post (L) to unit and to Stretcher (I) using Head Cap Bolts (long), Spacer and Nut.

Tighten Head Cap Bolts (long) using Key Wrench. (see Figure 2)

Tighten Nut using Wrench. (see Figure 3)

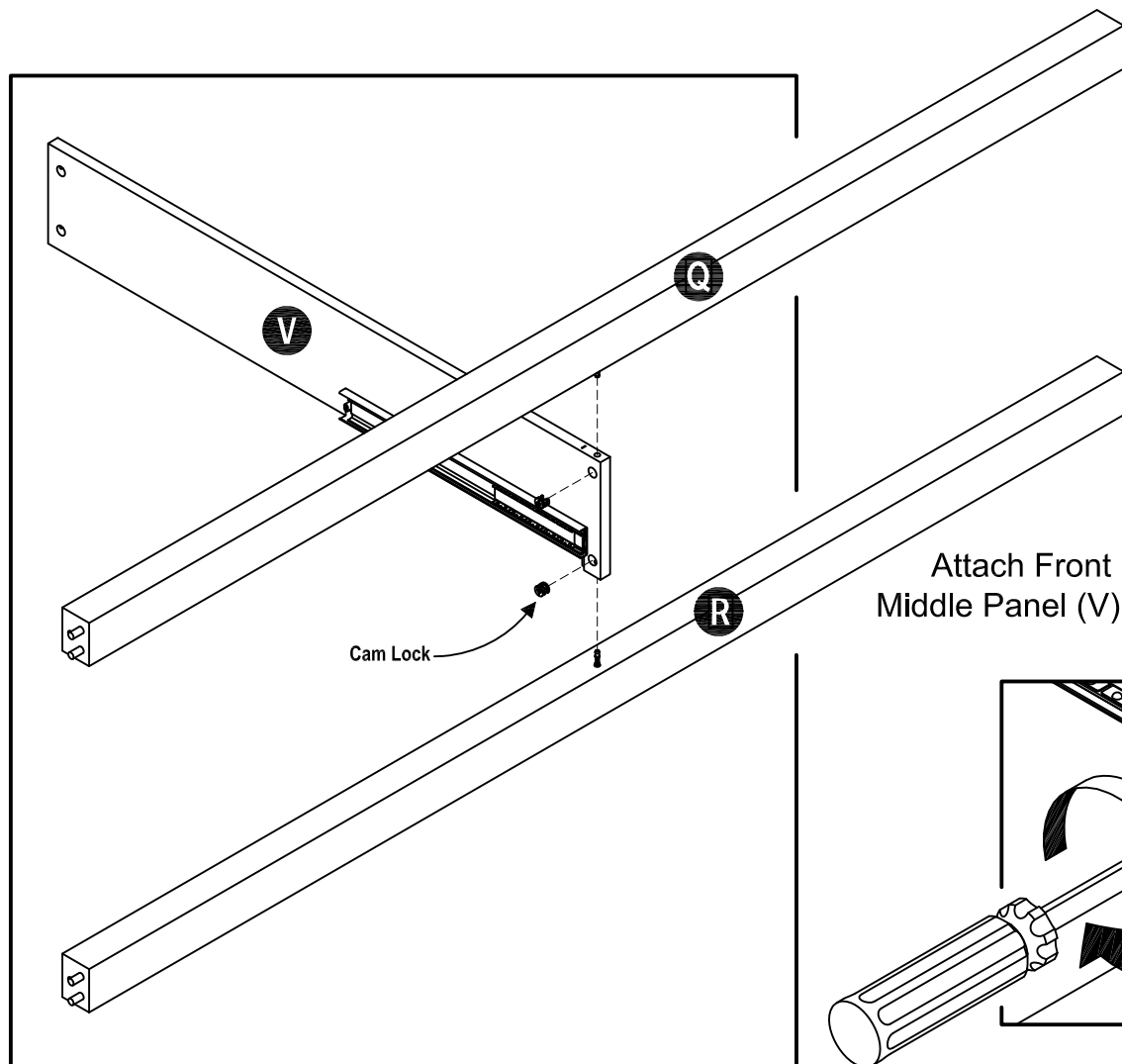
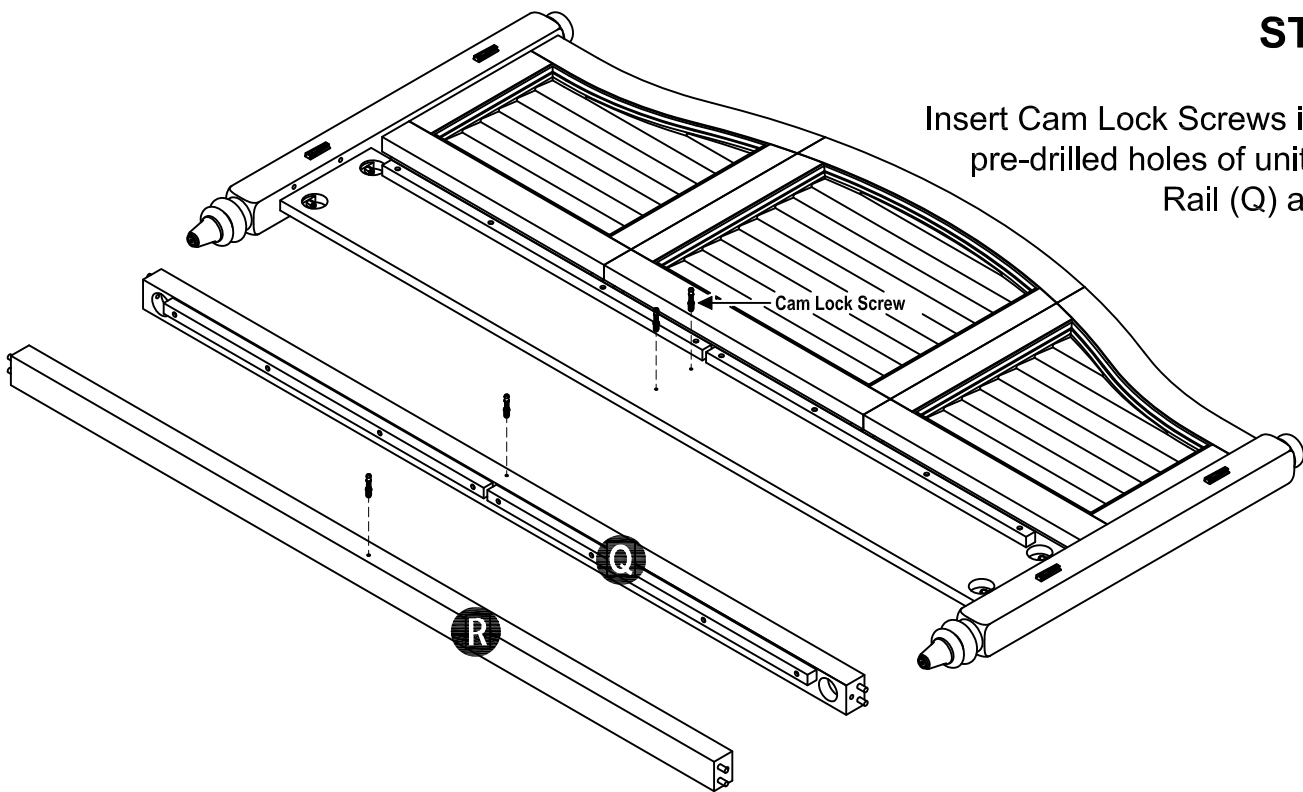


Attach 1 1/4" Round Head Screw to unit through Stretcher (I). (see Figure 4)

Assembly Instructions 5/10

STEP 6

Insert Cam Lock Screws into the pre-drilled holes of unit, Front Rail (Q) and (R).



STEP 7

Attach Front Rail (Q) and (R) to Middle Panel (V) using Cam Locks. (see Figure 5)

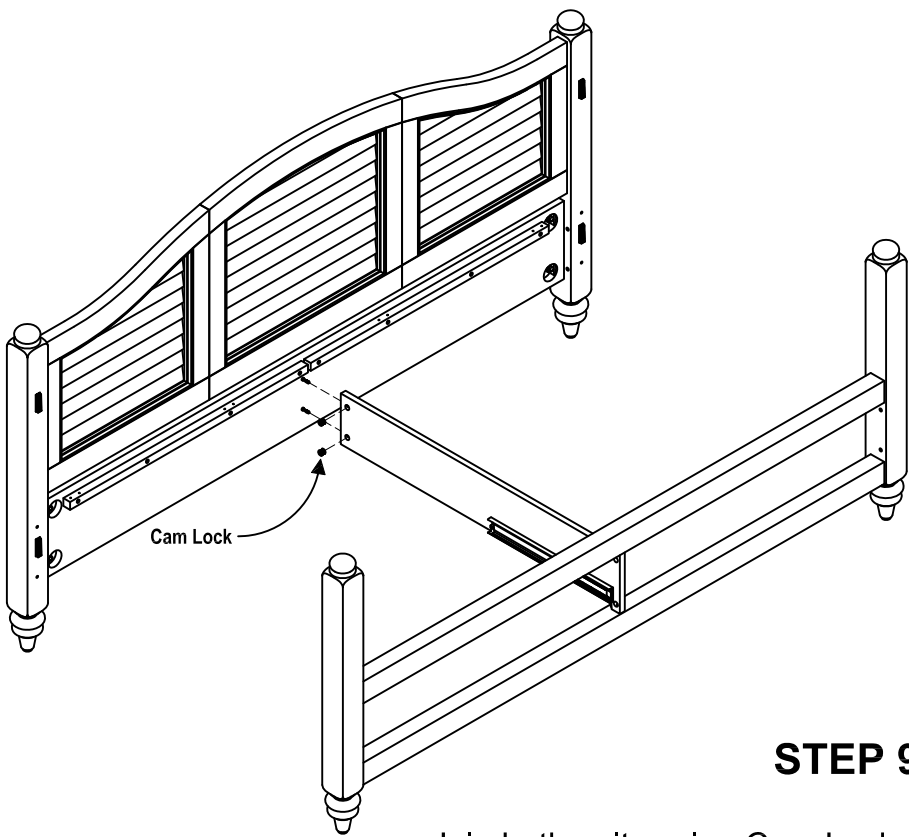
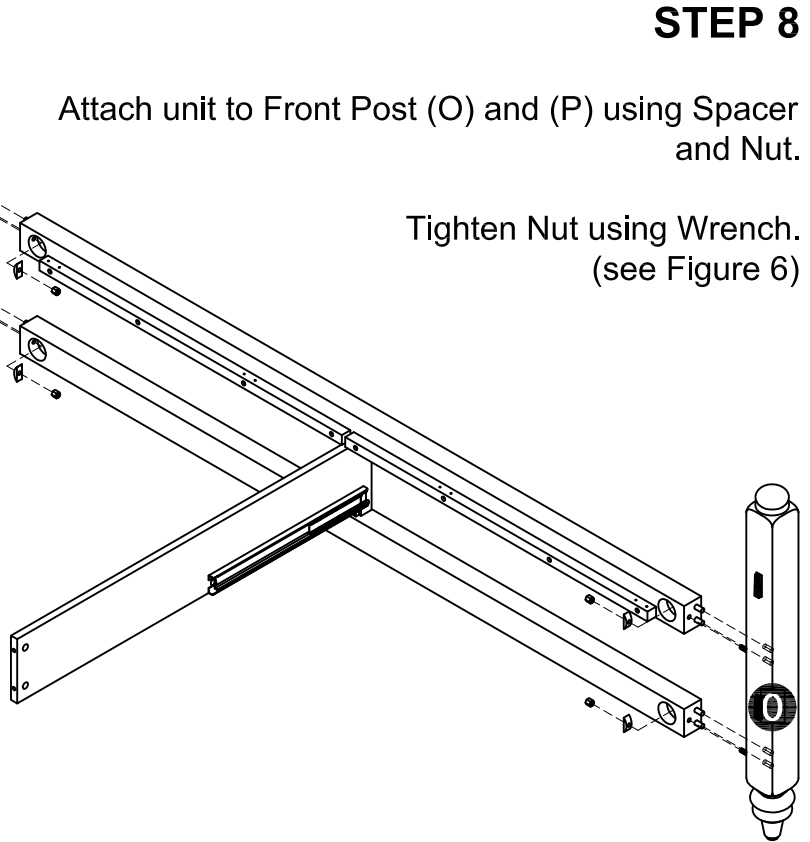
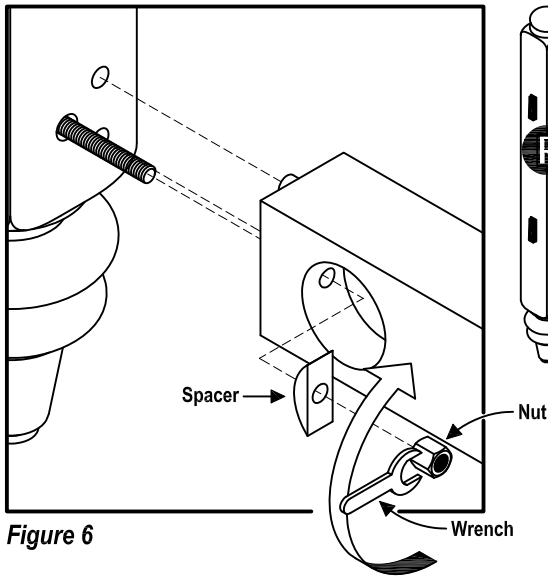
Figure 5

Assembly Instructions 6/10

STEP 8

Attach unit to Front Post (O) and (P) using Spacer and Nut.

Tighten Nut using Wrench.
(see Figure 6)



STEP 9

Join both units using Cam Locks.
Note: Do not tighten the Cam Locks at this time
(see Figure 7)

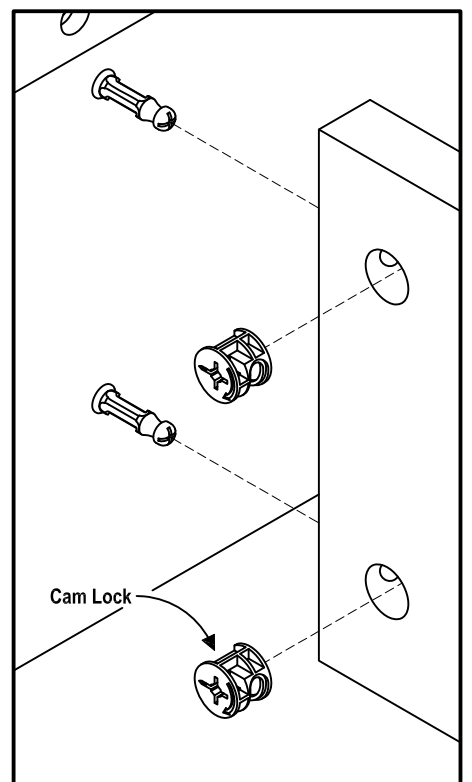


Figure 7

STEP 10

Attach Side Panels (M) and (N) to unit by sliding metal sleeve on Side Panels (M) and (N) down to metal clip on unit. (see Figure 8)

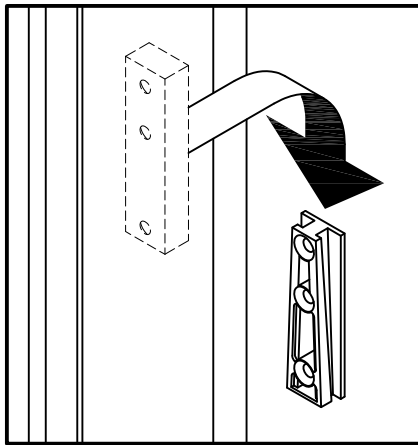
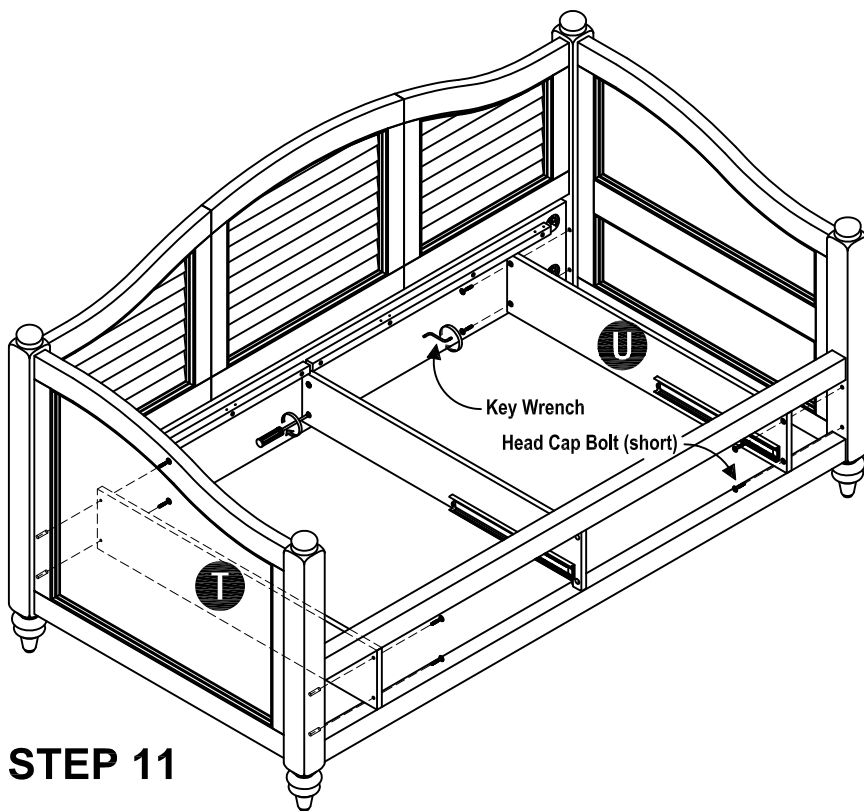
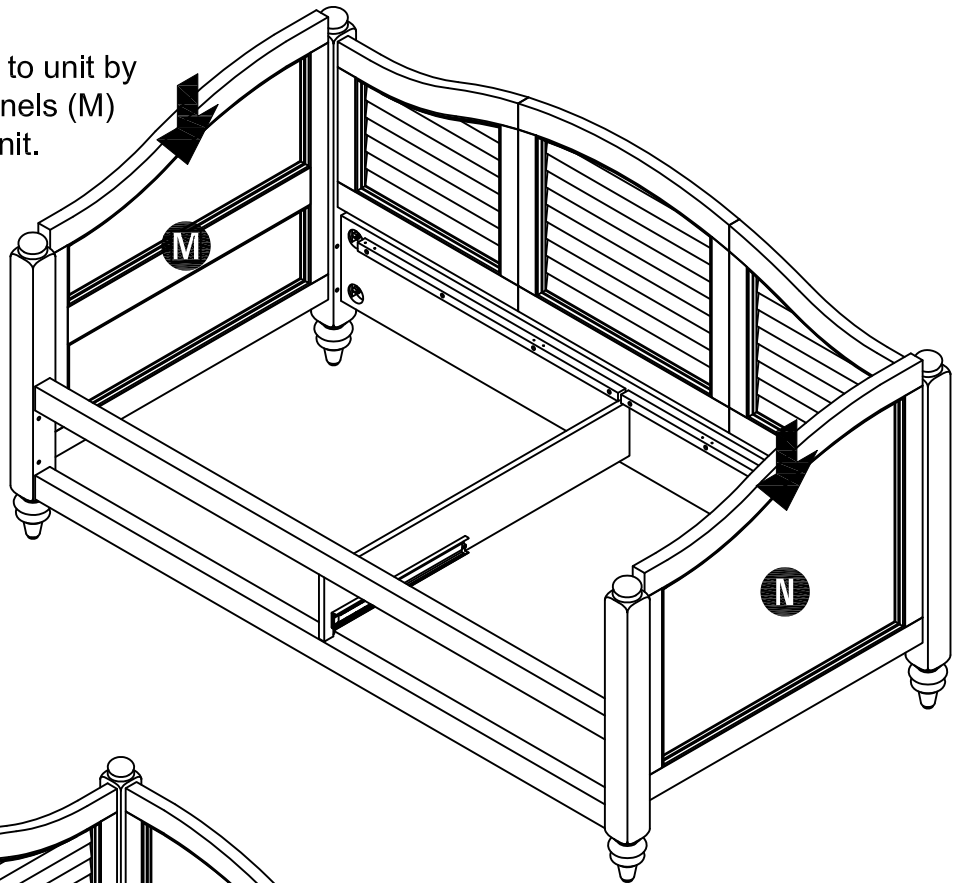


Figure 8



STEP 11

Attach Side Panels (T) and (U) to unit using Head Cap Bolts (short).

Tighten Head Cap Bolts (short) using Key Wrench.

Tighten Cam Locks as shown. (see Figure 9)

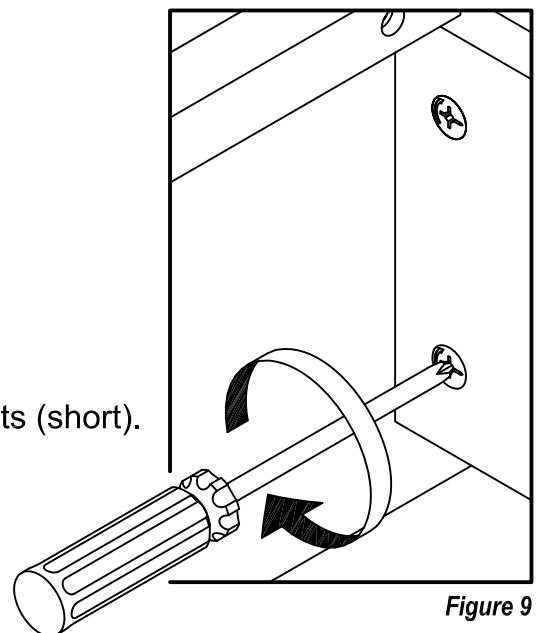
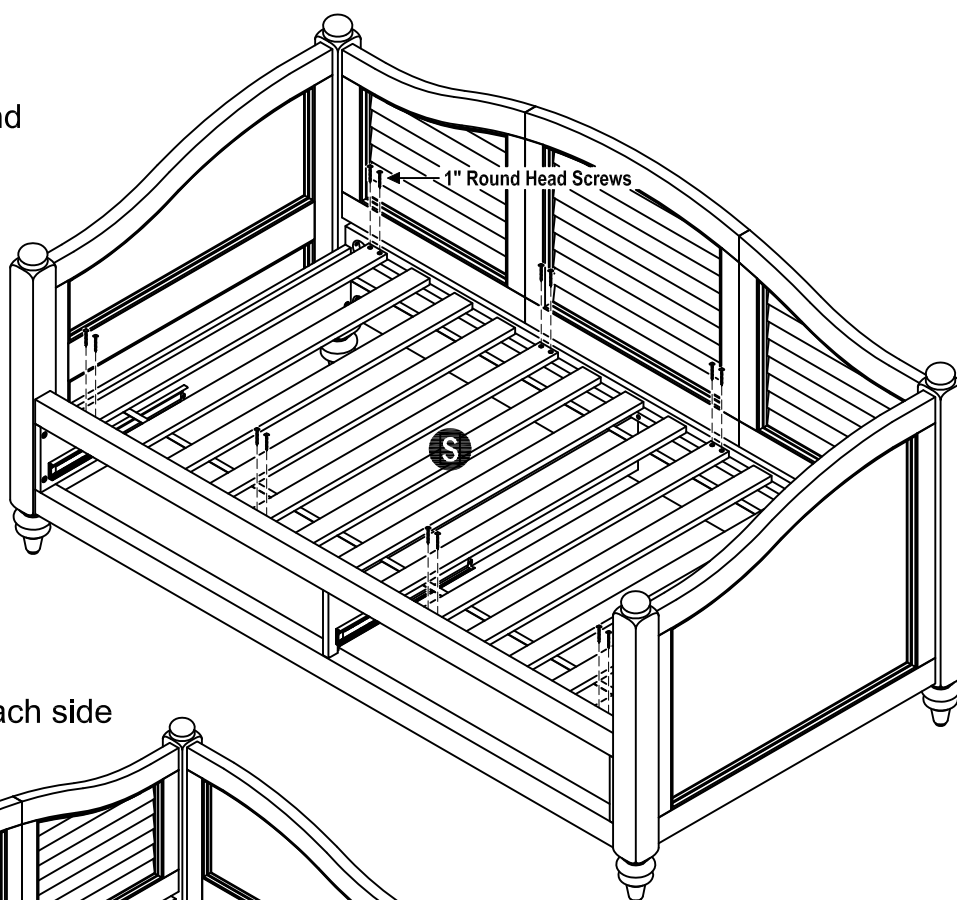


Figure 9

Assembly Instructions 8/10

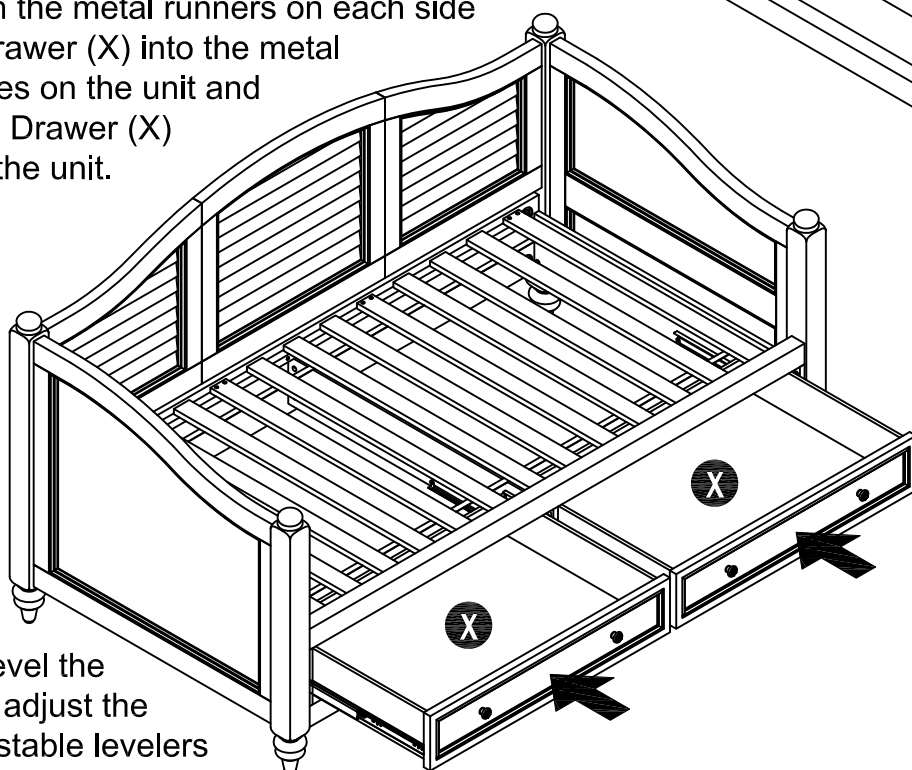
STEP 12

Attach Slat (S) using 1" Round Head Screws into the pre-drilled holes of unit.



STEP 13

Align the metal runners on each side of Drawer (X) into the metal guides on the unit and slide Drawer (X) into the unit.



To level the unit, adjust the adjustable levelers on the bottom of legs.

Note: Unit must be level to work properly.

(see Figure 10)

If you need to remove the drawer in the future, push the plastic lever up on its' left side, push down on its' right side and pull the drawer out slowly. (see Figure 11)

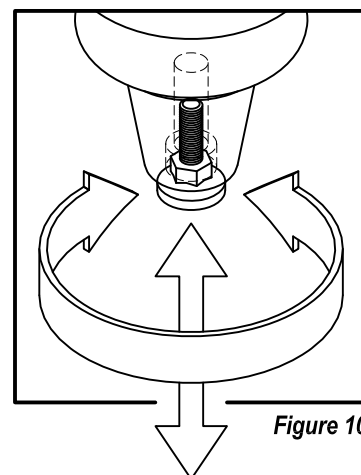


Figure 10

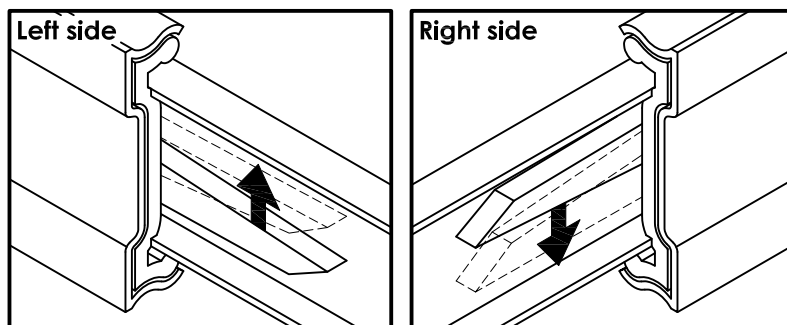
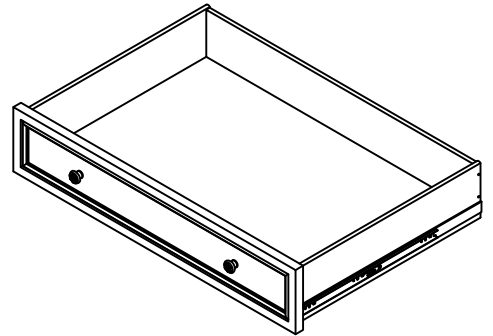


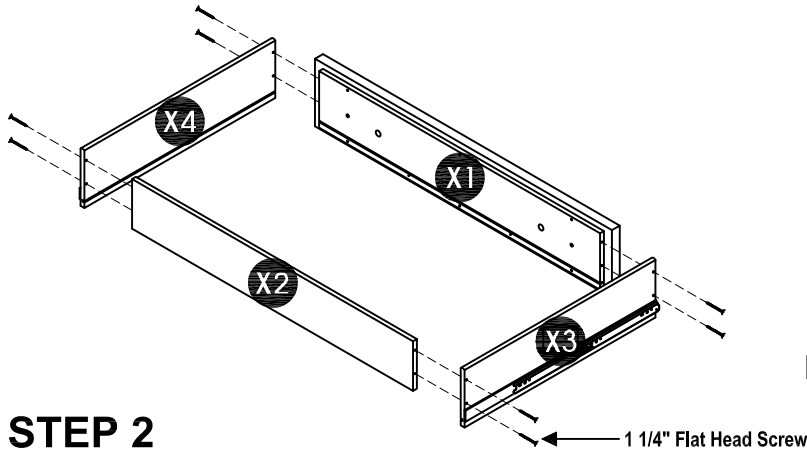
Figure 11

Drawer (X)



STEP 1

Attach Side Part (X3) and (X4) to Front Part (X1) and Back Part (X2) using a Phillips screwdriver and 1 1/4" Flat Head Screws.

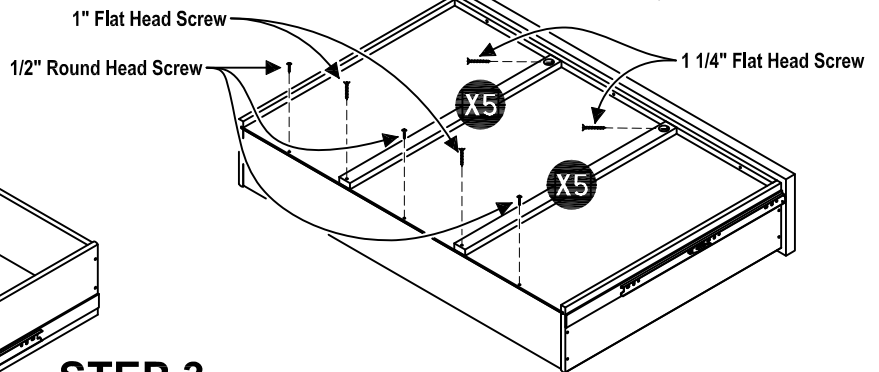
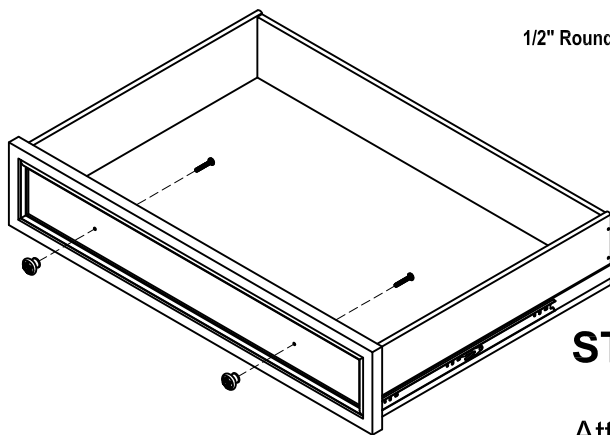
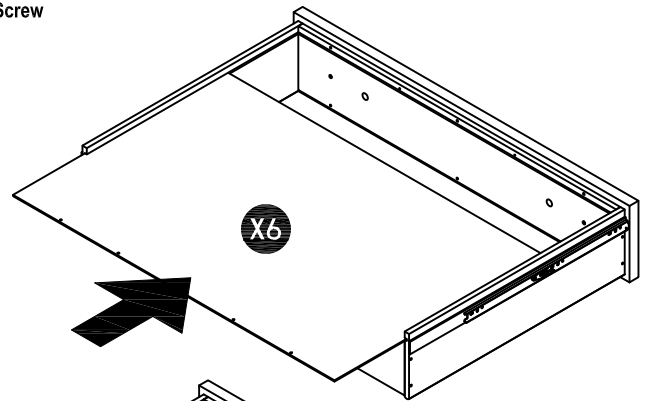


STEP 2

Insert Base Part (X6) into the groove.

Attach Base Part (X5) to unit 1 1/4" Flat Head Screws and 1" Flat Head Screw.

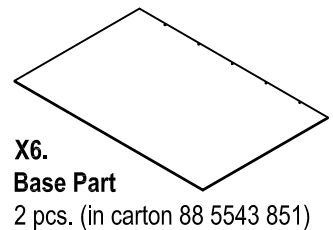
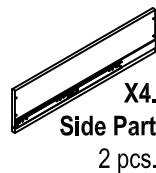
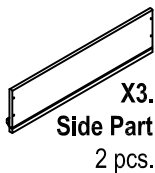
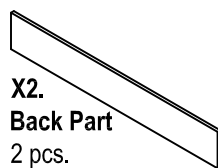
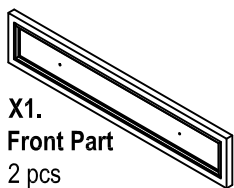
Attach 1/2" Round Head Screw to the rest holes of Base Part (X6).



STEP 3

Attach Pull Handles with Machine Screws.

Part List



Assembly Instructions 10/10

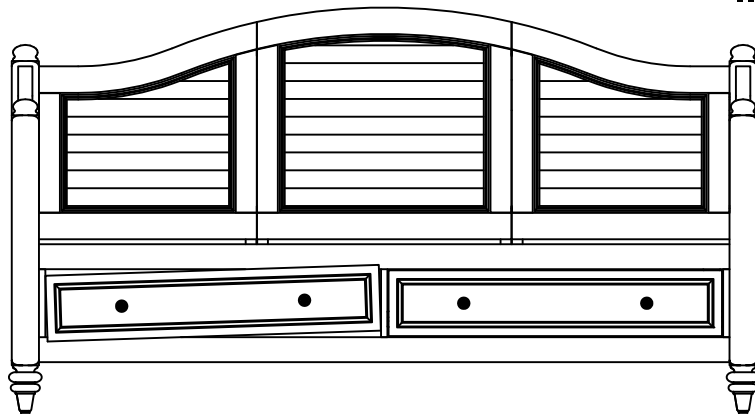
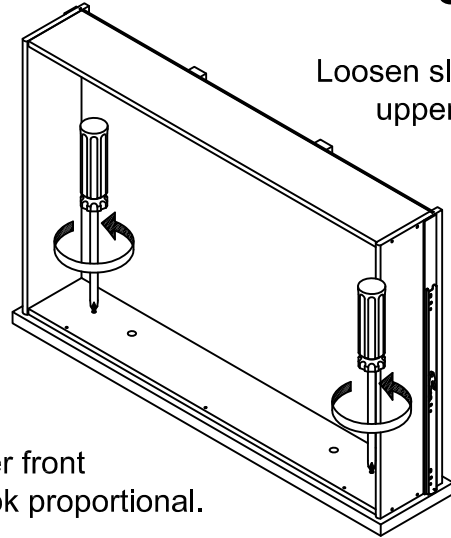
IMPORTANT

* Please follow step 13 when you need to remove and insert the drawers in this adjustment step.

I. IF A DRAWER DOES NOT ALIGN

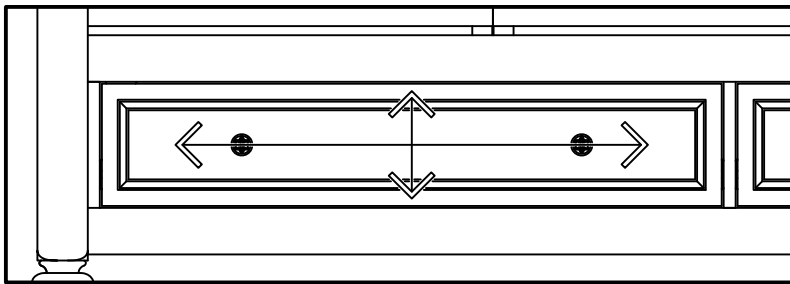
STEP 1

Loosen slightly the upper screws.

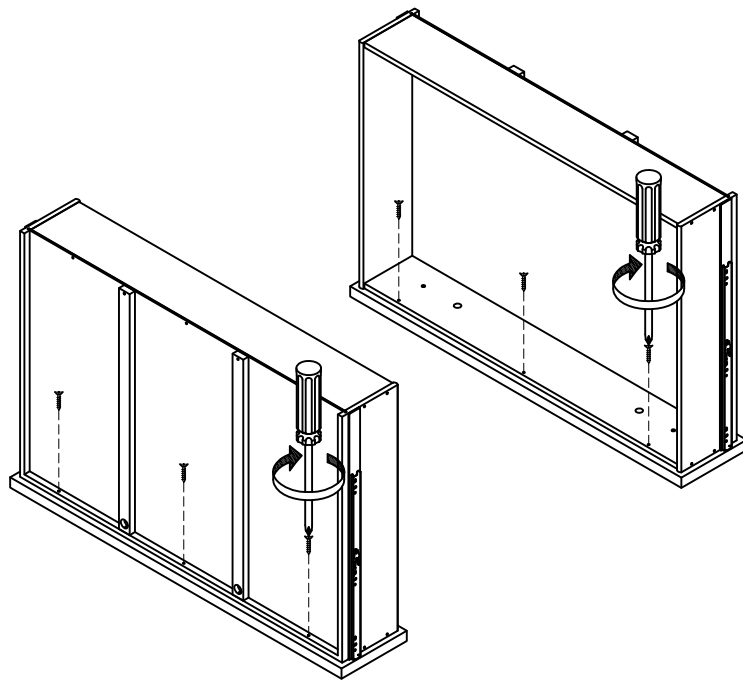


STEP 2

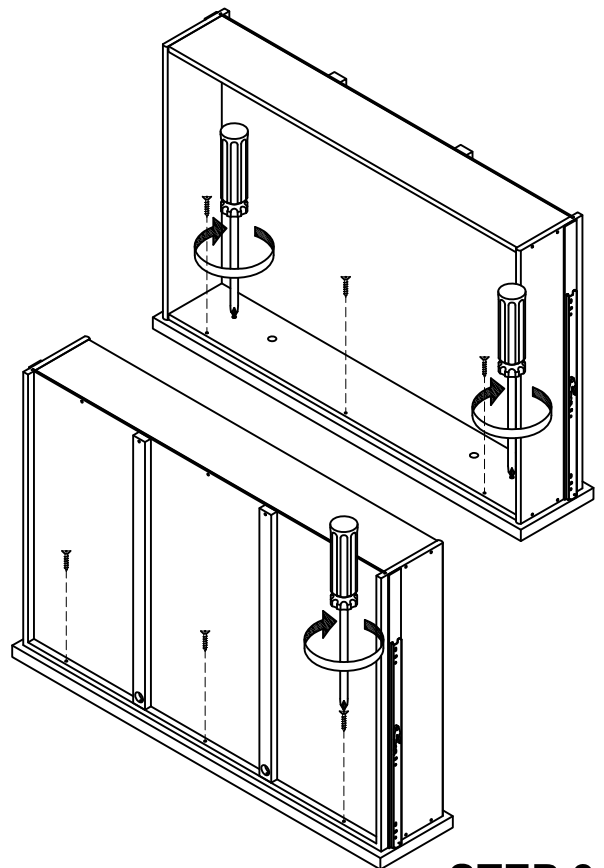
Insert the drawer into the main body, then adjust the drawer front panel left or right and up or down, until the drawer gaps look proportional.



II. IF A DRAWER ALREADY ALIGNS



Pull out drawer slowly. Lock the drawer front panel into position with 3/4" Flat Head Screws.



STEP 3

Pull the drawer open slowly and tighten the upper screws. Make sure the front panel does not move and lock the drawer front panel into position with 3/4" Flat Head Screws.

VERY IMPORTANT !!

CARE INSTRUCTIONS

NEVER

USE GLASS CLEANERS ON FINISHED FURNITURE. AMMONIA WILL CHEMICALLY ATTACK THE LACQUER.

NEVER

ALLOW LIQUIDS OF ANY KIND TO REMAIN ON THE FURNITURE. ABSORPTION CAUSES WOOD TO WARP AND SPLIT AND FINISHES TO DELAMINATE.

DO NOT WRITE DIRECTLY ON SURFACE.



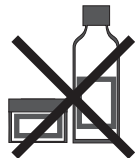
PREVENT MARKING

DO NOT PLACE IN DIRECT SUNLIGHT.



PREVENT FADING

DO NOT USE COMMERCIAL WAXES AND POLISHES.



PREVENT YELLOWING

DO NOT PLACE HOT OBJECTS ON SURFACE.



PREVENT FINISH DAMAGE

DO NOT USE RUBBER BASED PLACE MATS.



PREVENT DISCOLORING

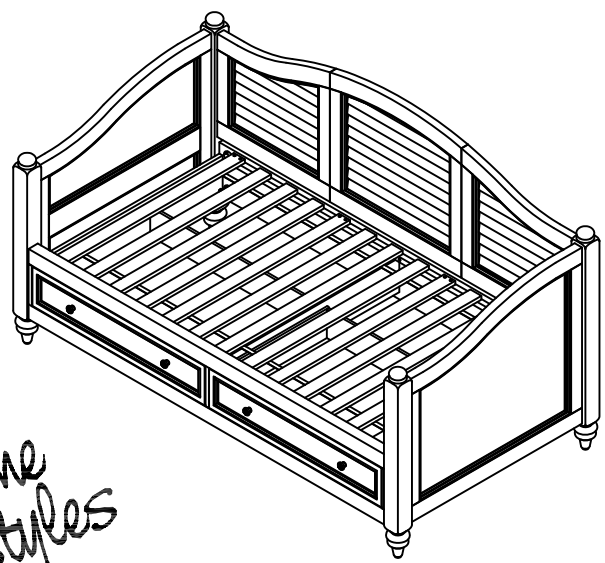
TO CLEAN

USE A SOFT CLOTH MOISTENED IN LEMON OIL POLISH OR LUKEWARM SOAP AND WATER, THEN BUFF WITH A DRY CLEAN CLOTH.



88 5543 853

Bermuda Daybed



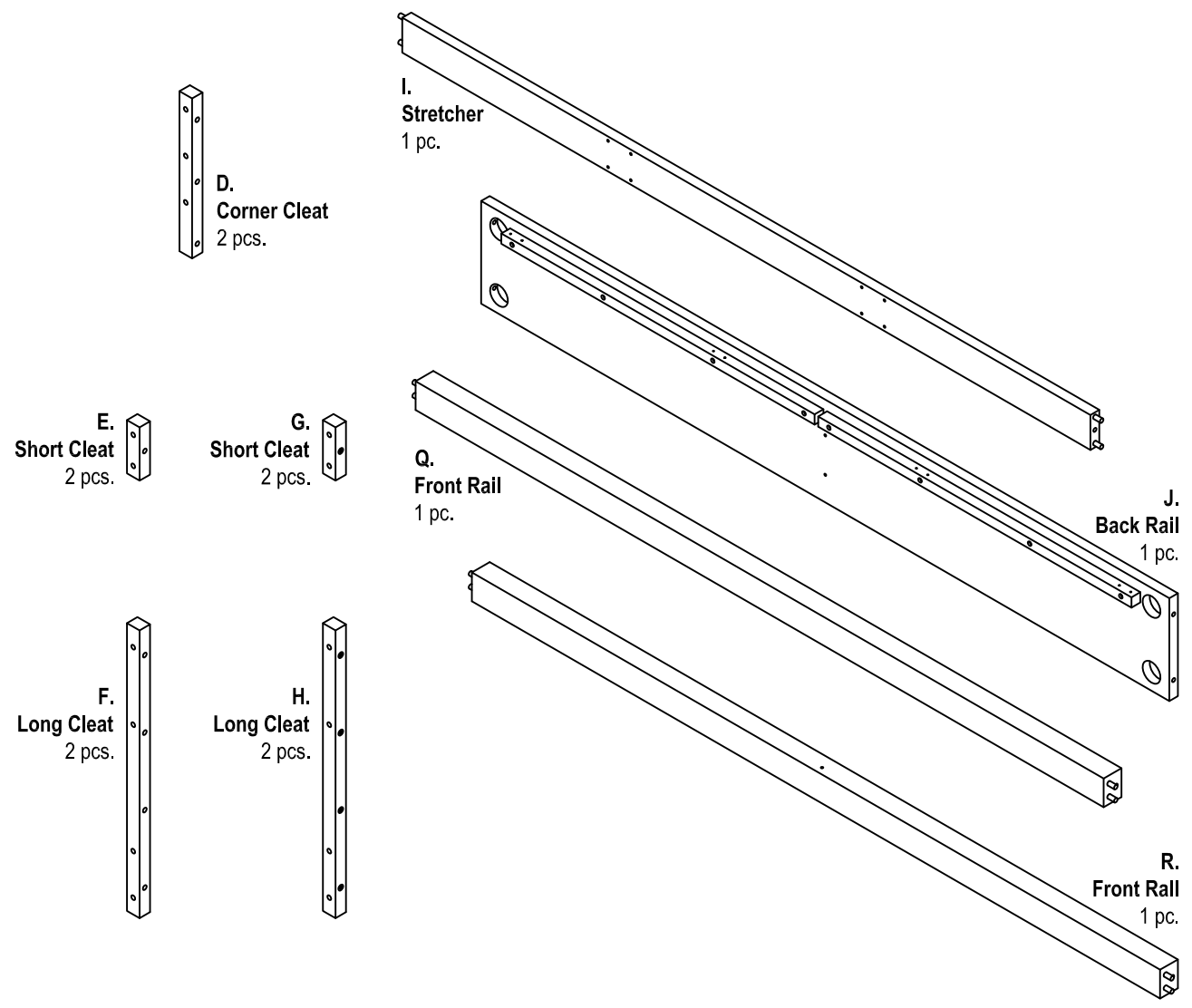
Home Styles

IMPORTANT NOTE

Carefully remove all the parts from the carton and put them individually on a soft cloth to prevent scratches or other damages occurring to the parts.

We have taken great care in the design of this product and request that you carefully and strictly follow our assembly instructions to ensure a completed product as it was designed.

Part List



For assembly see instructions in carton 88 5543 852

Home Styles Consumer Assistance Line 888-680-7460 and 877-831-0319
servicedesk@homestyles-furniture.com