

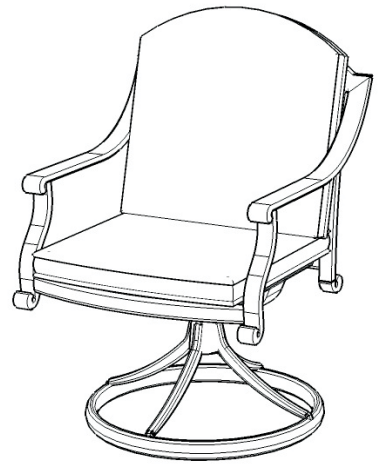
88 5564 53 Covington Swivel Arm Chair

IMPORTANT NOTE

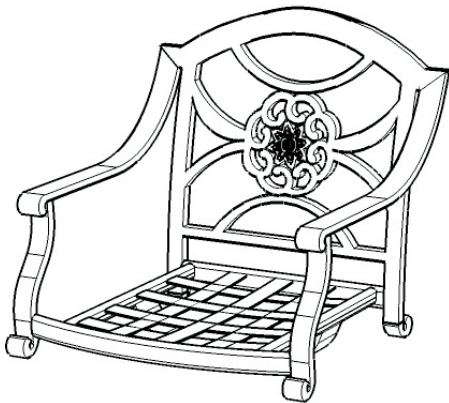
Carefully remove all the parts from the carton and put them individually on a soft cloth to prevent scratches or other damages occurring to the parts.

We have taken great care in the design of this product and request that you carefully and strictly follow our assembly instructions to ensure a completed product as it was designed.

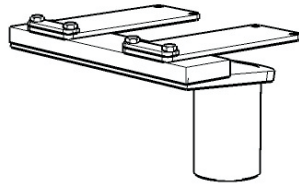
*Home
Styles*



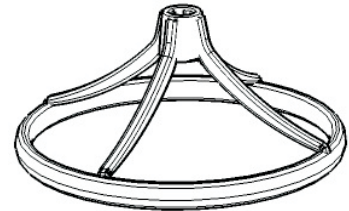
Part List



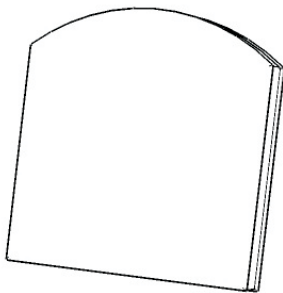
**A.
Seat**
1 pc.



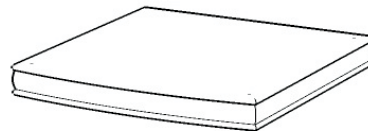
**B.
Connector**
1 pc.



**C.
Base**
1 pc.



**D.
Back Cushion**
1 pc.



**E.
Seat Cushion**
1 pc.

Hardware List



Key Wrench
1 pc.



Bolt
4 pcs.(+1 extra)



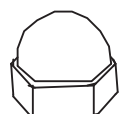
Flat Washer
4 pcs.(+1 extra)



Spring Washer
4 pcs.(+1 extra)



Nut
4 pcs.(+1 extra)



Nut Cap
12 pcs.(+1 extra)

Assembly Instructions

IMPORTANT

- * Do not tighten up all the screws until each part is properly assembled.
- * You should keep Key Wrench in a safe place as you may need to tighten up the Nuts in the future.

STEP 1

Attach Connector (B) onto Seat (A) with Bolts, Flat Washers, Spring Washers, and Nuts. (see Figure 1)

Tighten all Nuts with Key Wrench. Cover all Nuts and Bolt heads with Nut Caps.

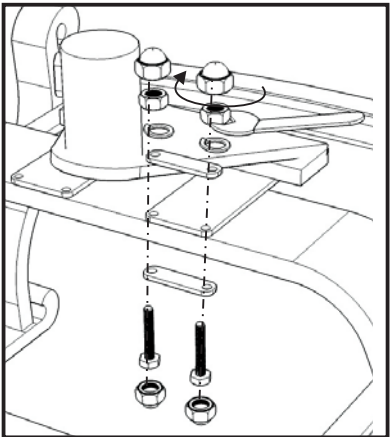
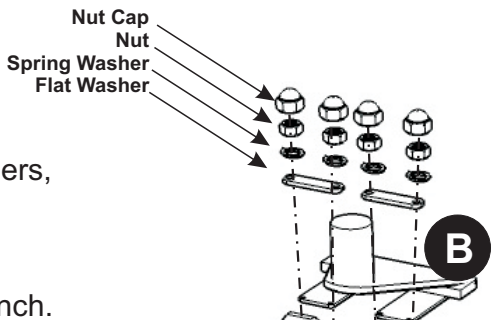
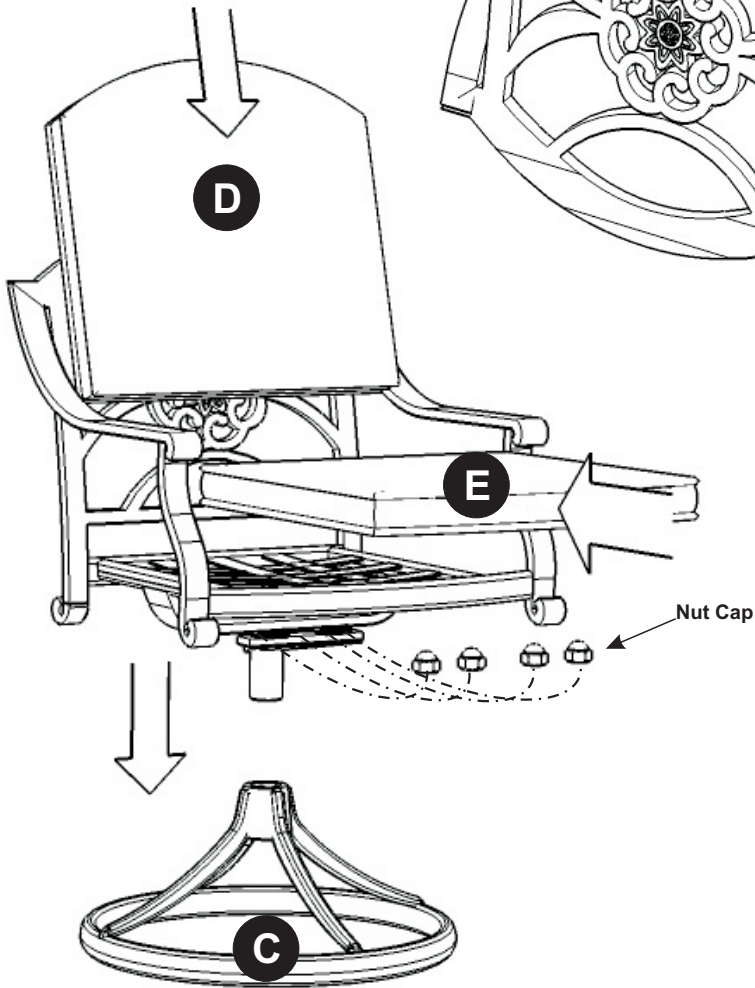
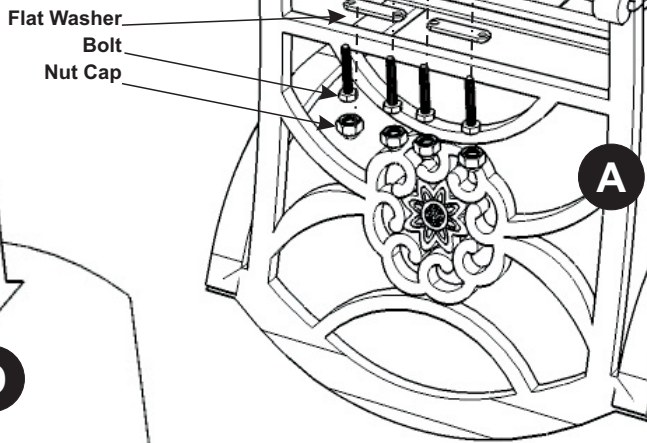


Figure 1



STEP 2

Turn the seat unit to its' upright position.

Place seat unit onto Base (C).

Cover 4x Nuts with Nut Caps. (See figure 2)

Place Back Cushion (D) and Seat Cushion (E) onto the chair.

Use the tie-downs on back of Cushion (D) and (E) to attach to chair.

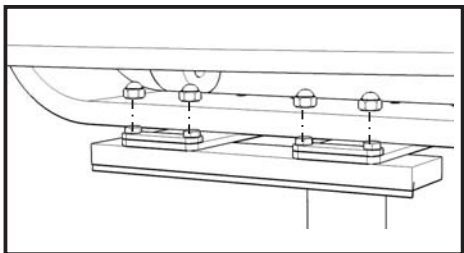


Figure 2