

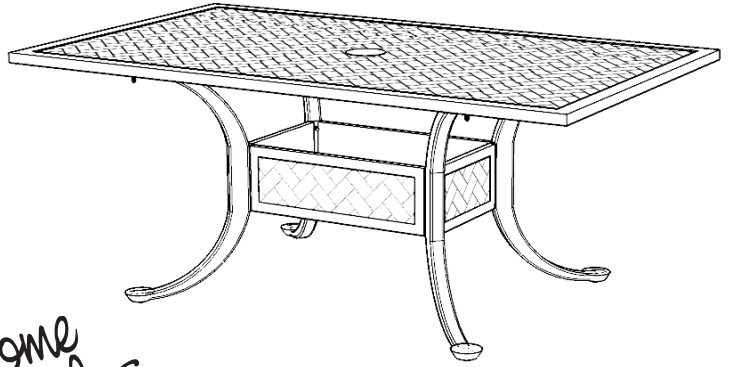
# 88 5564 31 Covington Rectangular Table

## IMPORTANT NOTE

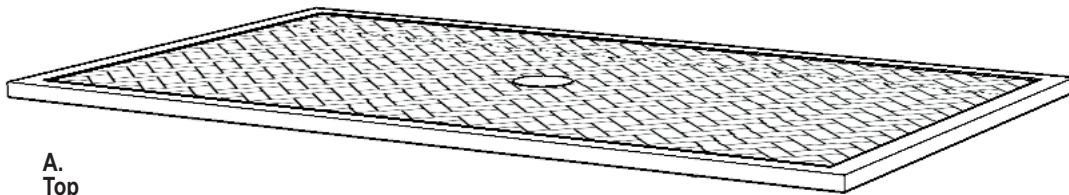
Carefully remove all the parts from the carton and put them individually on a soft cloth to prevent scratches or other damages occurring to the parts.

We have taken great care in the design of this product and request that you carefully and strictly follow our assembly instructions to ensure a completed product as it was designed.

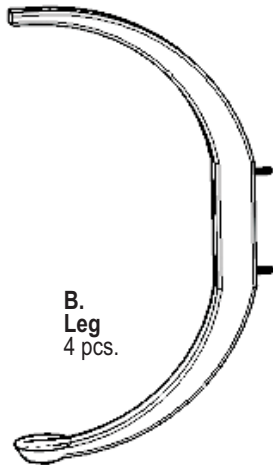
Home  
Styles



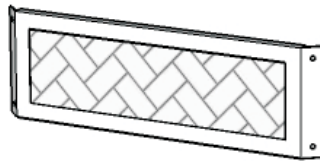
## Part List



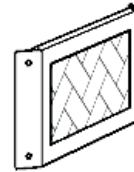
A.  
Top  
1 pc.



B.  
Leg  
4 pcs.



C.  
Stretcher  
2 pcs.



D.  
Stretcher  
2 pcs.

## Hardware List



Key Wrench  
1 pc.



Spring  
Washer  
12 pcs.(+1 extra)



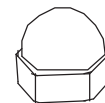
Nut  
12 pcs.(+1 extra)



Bolt  
4 pcs.(+1 extra)



Flat  
Washer  
12 pcs.(+1 extra)



Nut Cap  
12 pcs.(+1 extra)

Tools required for assembly : **Slotted** screwdriver

Tools recommended for assembly : Level

Home Styles Consumer Assistance Line 888-680-7460 and 877-831-0319

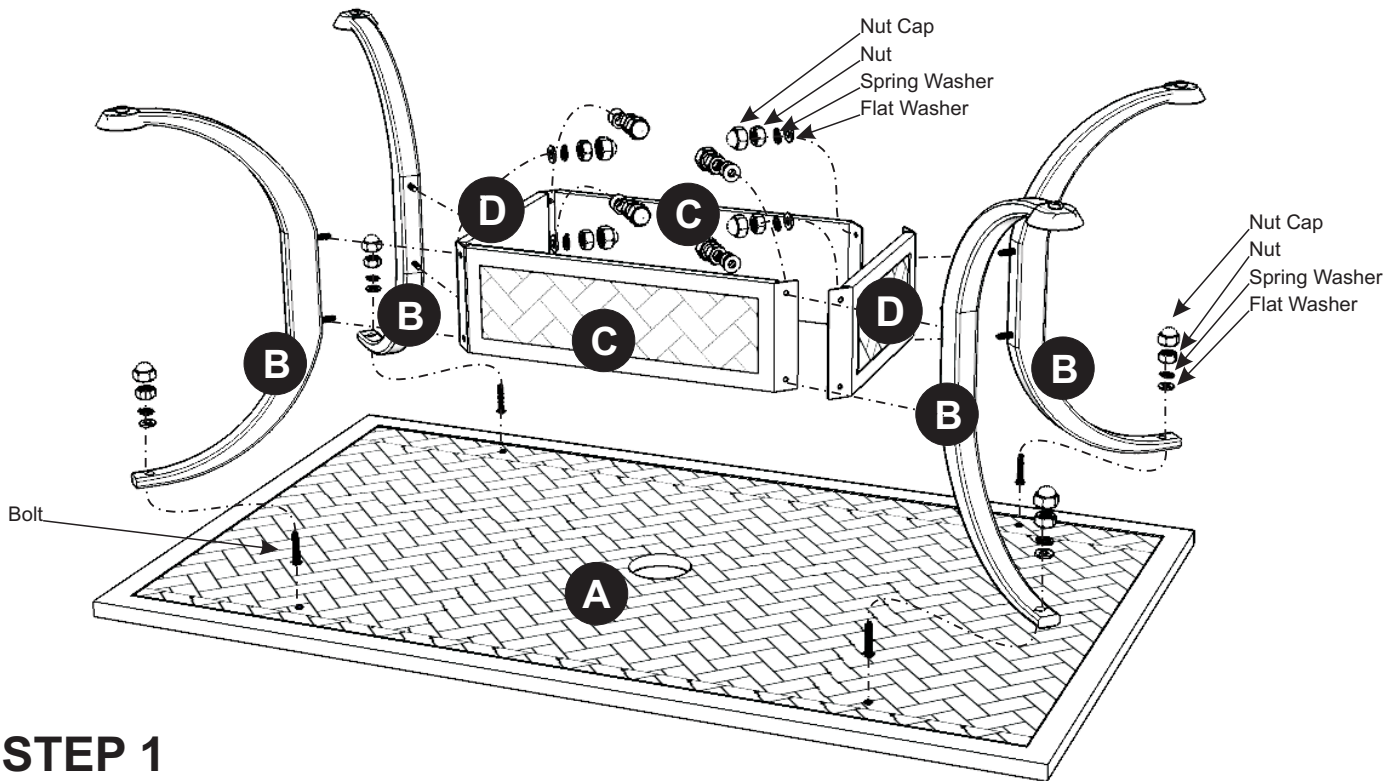
[servicedesk@homestyles-furniture.com](mailto:servicedesk@homestyles-furniture.com)

Revised 17Mar2011

# Assembly Instructions

## IMPORTANT

- \* Do not tighten up all the screws until each part is properly assembled.
- \* You should keep Key Wrench in a safe place as you may need to tighten up the Nuts in the future.
- \* After assembly, item must be level to work properly. Use the included adjustable levelers to level.



## STEP 1

Assemble 4 Legs (B), Stretchers (C) and (D) with Flat Washers, Spring Washers, and Nuts.

Tighten all Nuts, only half way, with Key Wrench.

## STEP 2

Place Top (A) upside down on a soft cloth.

Insert all Bolts into the pre-drilled holes of Top (A). (See figure 1)

## STEP 3

Place assembled unit onto Top (A) with Flat Washers, Spring Washers and Nuts, tighten half way.

Tighten all Nuts completely with Key Wrench, then cover all Nuts with Nut Caps.

Turn the table to its' upright position.

## STEP 4

To level the table, adjust the adjustable levelers on the bottom of legs. (See figure 2)

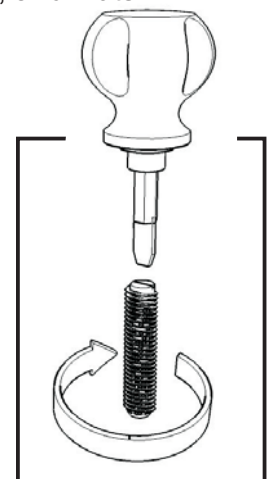


Figure 1

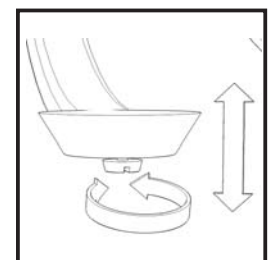


Figure 2