

88 5601 331

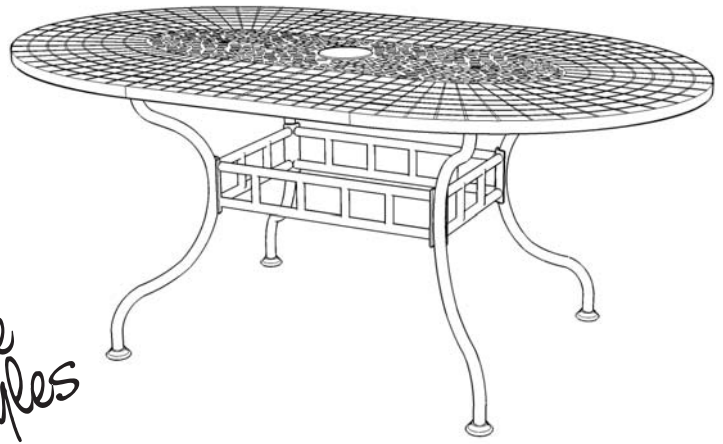
Stone Harbor Slate Tile Top Oval Table

IMPORTANT NOTE

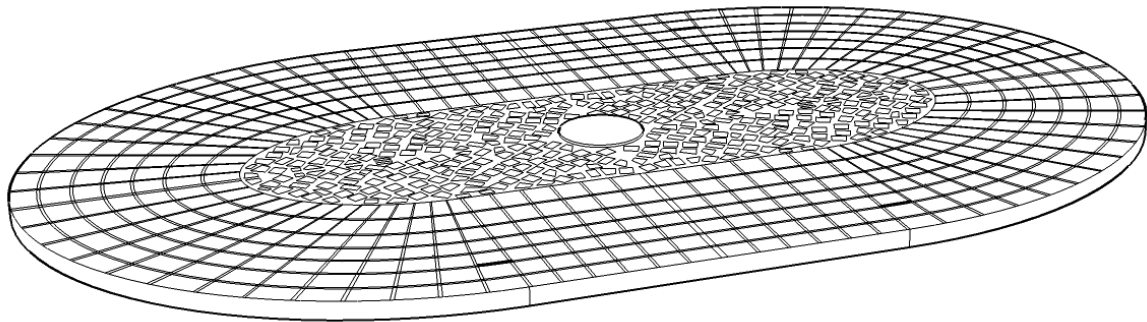
Carefully remove all the parts from the carton and put them individually on a soft cloth to prevent scratches or other damages occurring to the parts.

We have taken great care in the design of this product and request that you carefully and strictly follow our assembly instructions to ensure a completed product as it was designed.

Home
Styles



Part List



A.
Top
1 pc.

Also need the following from carton 88 5601 332

Part List in carton 88 5601 332

Leg (B)	4 pcs.
Stretcher (C)	1 pc.

Hardware List in carton 88 5601 332

Hex Wrench	1 pc.
Head Cap Bolt	8 pcs.
Wing Nut	4 pcs.
Flat Washer	4 pcs.

For assembly see instructions in carton 88 5601 332

Home Styles Consumer Assistance: www.homestyles-furniture.com,
servicedesk@homestyles-furniture.com, 888-680-7460, 877-831-0319

88 5601 332

Stone Harbor

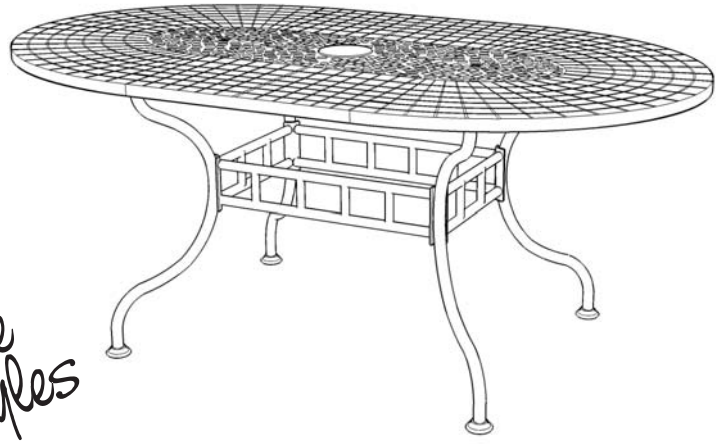
Slate Tile Top Oval Table

IMPORTANT NOTE

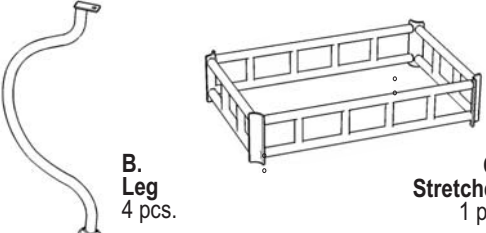

Carefully remove all the parts from the carton and put them individually on a soft cloth to prevent scratches or other damages occurring to the parts.

We have taken great care in the design of this product and request that you carefully and strictly follow our assembly instructions to ensure a completed product as it was designed.

Home Styles

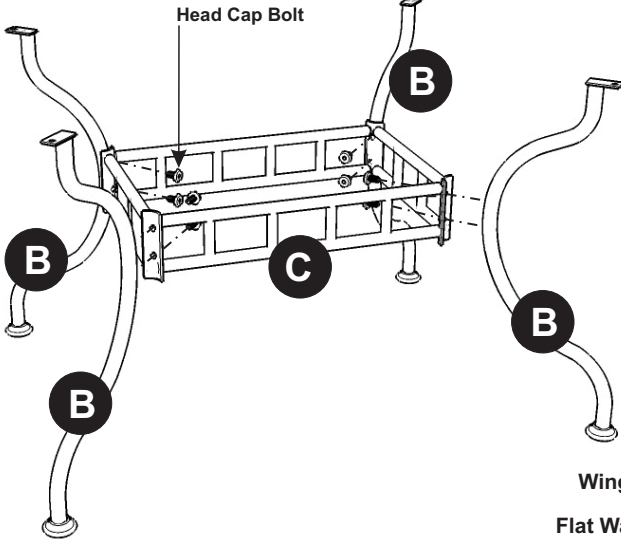


Part List	Hardware List
-----------	---------------

 <p>B. Leg 4 pcs.</p> <p>C. Stretcher 1 pc.</p>	 <p>Key Wrench 1 pc.</p> <p>Head Cap Bolt 8 pcs. (+1 extra)</p> <p>Wing Nut 4 pcs. (+1 extra)</p> <p>Flat Washer 4 pcs. (+1 extra)</p>
--	--

Also need the following from carton 88 5601 331

Top (A) 1 pc.



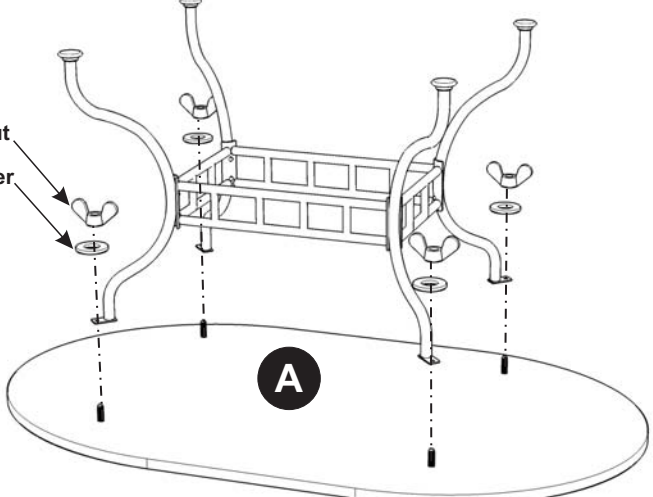
STEP 1

Attach Legs (B) to Stretcher (C) with Head Cap Bolts.

STEP 2

Attach unit from Step 1 to Top (A) with Flat Washers and Wing Nuts.

Turn unit to its' upright position.



Note: Frozen precipitation may damage the top. Store inside in freezing weather.