

# 88 5902 81

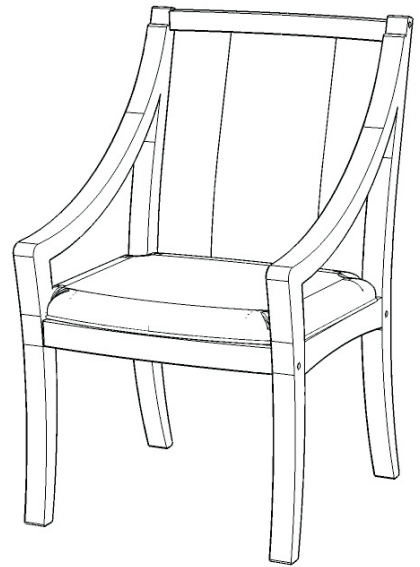
## Rio Vista Game Chair

### IMPORTANT NOTE

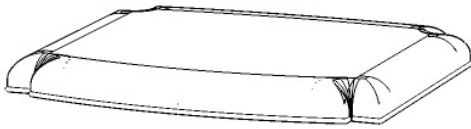
Carefully remove all the parts from the carton and put them individually on a soft cloth to prevent scratches or other damages occurring to the wood parts.

We have taken great care in the design of this product and request that you carefully and strictly follow our assembly instructions to ensure a completed product as it was designed.

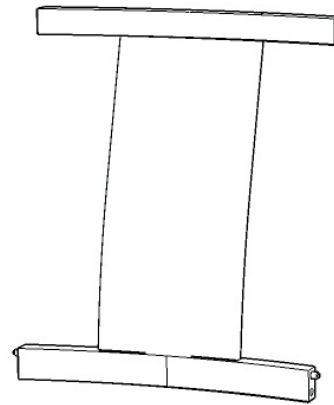
*Home  
Styles*



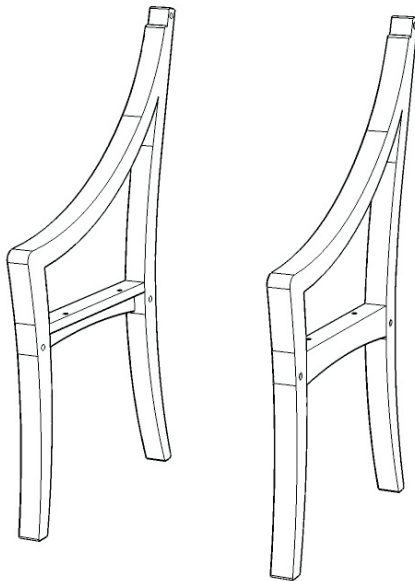
### Part List



**A.**  
**Seat**  
1 pc.



**B.**  
**Back Frame**  
1 pc.



**C.**  
**Side Frame**  
1 pc.

**D.**  
**Side Frame**  
1 pc.



**E.**  
**Front Rail**  
1 pc.

### Hardware List



**Small  
Hex Wrench**  
1 pc.



**Key Wrench**  
1 pc.



**Head Cap Bolt**  
6 pcs.(+1 extra)



**Cross Dowel**  
6 pcs.(+2 extra)



**Wood Plug**  
6 pcs.(+1 extra)



**Wood Screw**  
4 pcs.(+1 extra)

**Tools required for assembly:** Phillips screwdriver

**Home Styles Consumer Assistance:** [www.homestyles-furniture.com](http://www.homestyles-furniture.com),  
[servicedesk@homestyles-furniture.com](mailto:servicedesk@homestyles-furniture.com), 888-680-7460, 877-831-0319

# Assembly Instructions

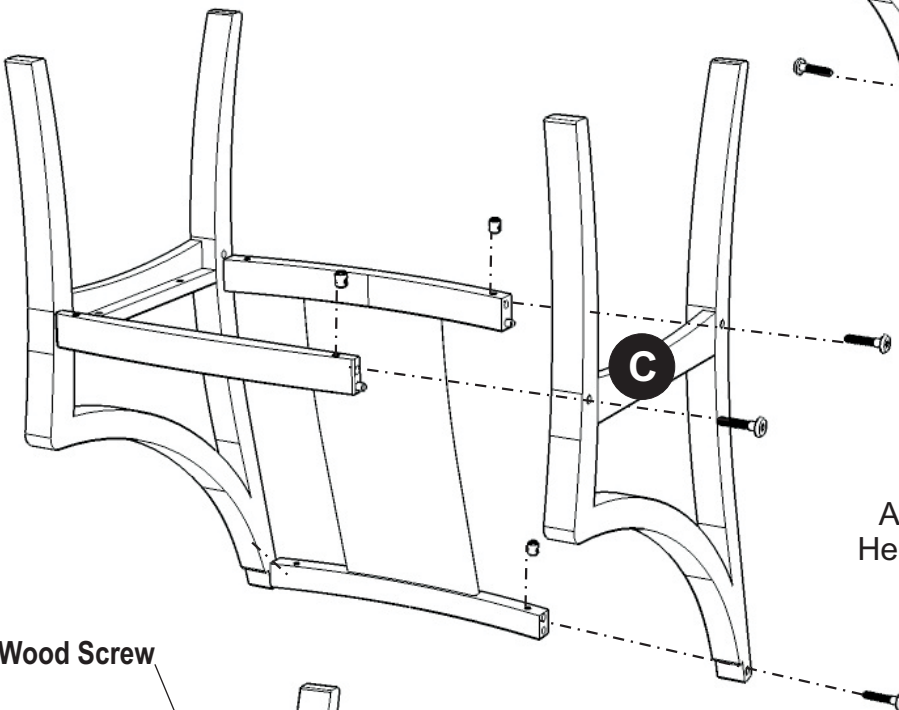
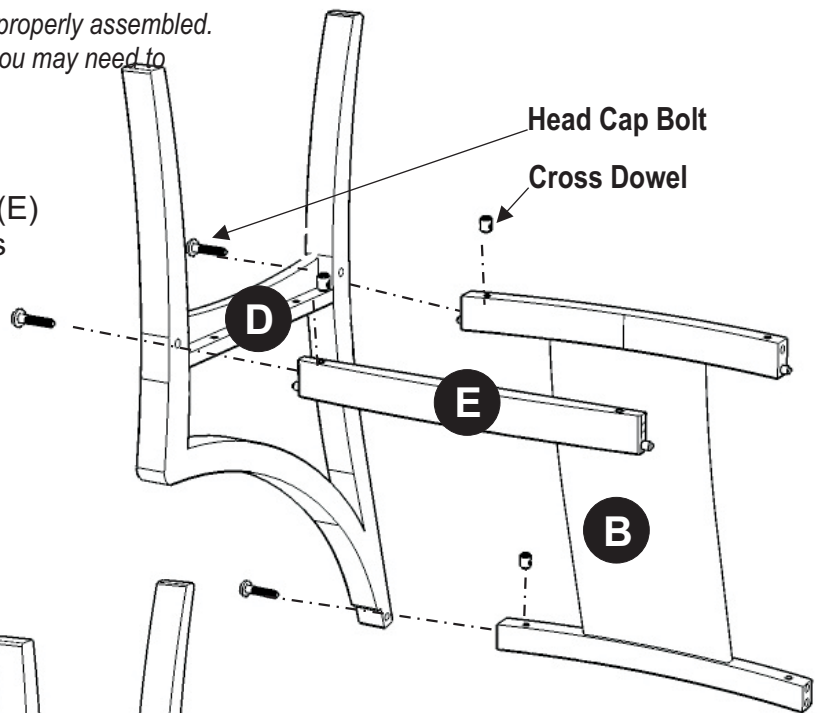
## IMPORTANT

- \* Do not tighten up all the screws until each part is properly assembled.
- \* You should keep Hex Wrench in a safe place as you may need to tighten up the Head Cap Bolts in the future.

## STEP 1

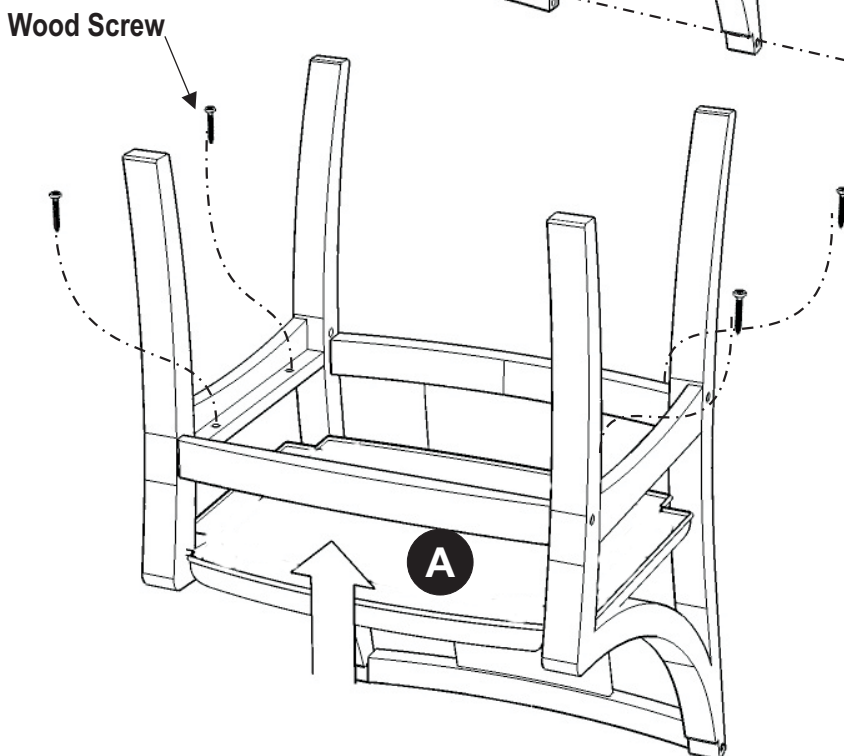
Attach Back Frame (B) and Front Rail (E) to Side Frame (D) with Head Cap Bolts and Cross Dowels.

Tighten Head Cap Bolts only half way.



## STEP 2

Attach Side Frame (C) to unit with Head Cap Bolts and Cross Dowels.



## STEP 3

Place Seat (A) into position.

**Tighten up all Head Cap Bolts.**

Attach Seat (A) by inserting Wood Screws into the pre-drilled holes of unit, then tighten.

## STEP 4

Cover up all holes with Wood Plugs.

