

88 5520 131

# Aspen

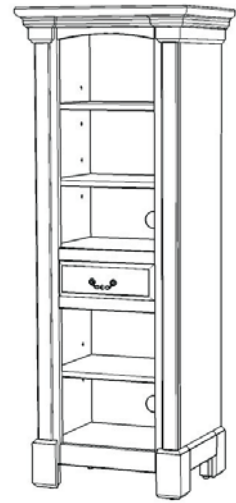
## Pier Cabinet

### IMPORTANT NOTE

Carefully remove all the parts from the carton and put them individually on a soft cloth to prevent scratches or other damages occurring to the parts.

We have taken great care in the design of this product and request that you carefully and strictly follow our assembly instructions to ensure a completed product as it was designed.

Home  
Styles

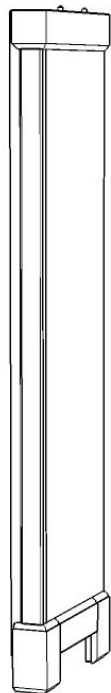


## Part List

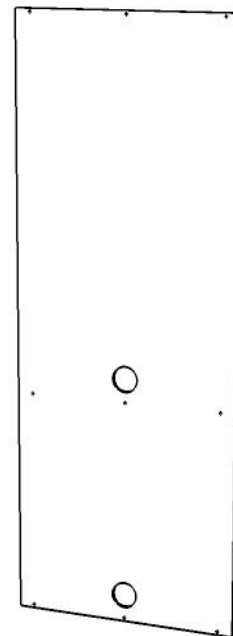
**B.**  
Side Panel  
1 pc.



**C.**  
Side Panel  
1 pc.



**D.**  
Back Panel  
1 pc.



## Hardware List



**Cam Lock Screw**  
20 pcs. (+2 extra)



**Wood Screw (short)**  
for Drawer Base Part  
and Back Panel  
15 pcs. (+1 extra)



**Wood Screw (long)**  
for Drawer  
8 pcs. (+1 extra)



**Machine Screw**  
2 pcs.



**Cam Lock**  
20 pcs. (+6 extra)



**Adjustable Pin**  
12 pcs. (+1 extra)



**Pull Handle**  
1 pc.

**For assembly see instructions in carton 88 5520 132**

Tools required for assembly : Phillips screwdriver

Tools recommended for assembly : Level

Home Styles Consumer Assistance Line 888-680-7460 and 877-831-0319  
servicedesk@homestyles-furniture.com

88 5520 132

# Aspen

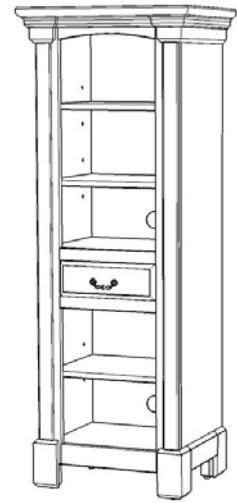
## Pier Cabinet

### IMPORTANT NOTE

Carefully remove all the parts from the carton and put them individually on a soft cloth to prevent scratches or other damages occurring to the wood parts.

We have taken great care in the design of this product and request that you carefully and strictly follow our assembly instructions to ensure a completed product as it was designed.

Home  
Styles



## Part List



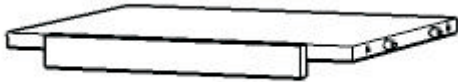
A.  
Top  
1 pc.



E.  
Front Rail  
1 pc.



F.  
Front Rail  
1 pc.



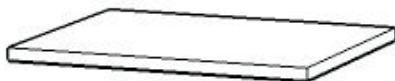
G.  
Fixed Shelf  
1 pc.



H.  
Plinth  
1 pc.



I.  
Base  
1 pc.



J.  
Shelf  
3 pcs.



K.  
Drawer  
1 pc.

*(Knock-Down Construction, please refer to the last page of these instructions for drawer assembly steps)*

## Also need the following from carton 88 5520 131 :

### Part List in carton 88 5520 131

Side Panel (B)	1 pc.
Side Panel (C)	1 pc.
Back Panel (D)	1 pc.

### Hardware List in carton 88 5520 131

Cam Lock Screw	20 pcs.
Cam Lock	20 pcs.
Adjustable Pin	12 pcs.
Pull Handle	1 pc.
Machine Screw	2 pcs.
Wood Screw (short) for Drawer and Back Panel	15 pcs.
Wood Screw (long) for Drawer	8 pcs.

Tools required for assembly : **Phillips** screwdriver

Tools recommended for assembly : Level

Home Styles Consumer Assistance Line 888-680-7460 and 877-831-0319  
[servicedesk@homestyles-furniture.com](mailto:servicedesk@homestyles-furniture.com)

**IMPORTANT**

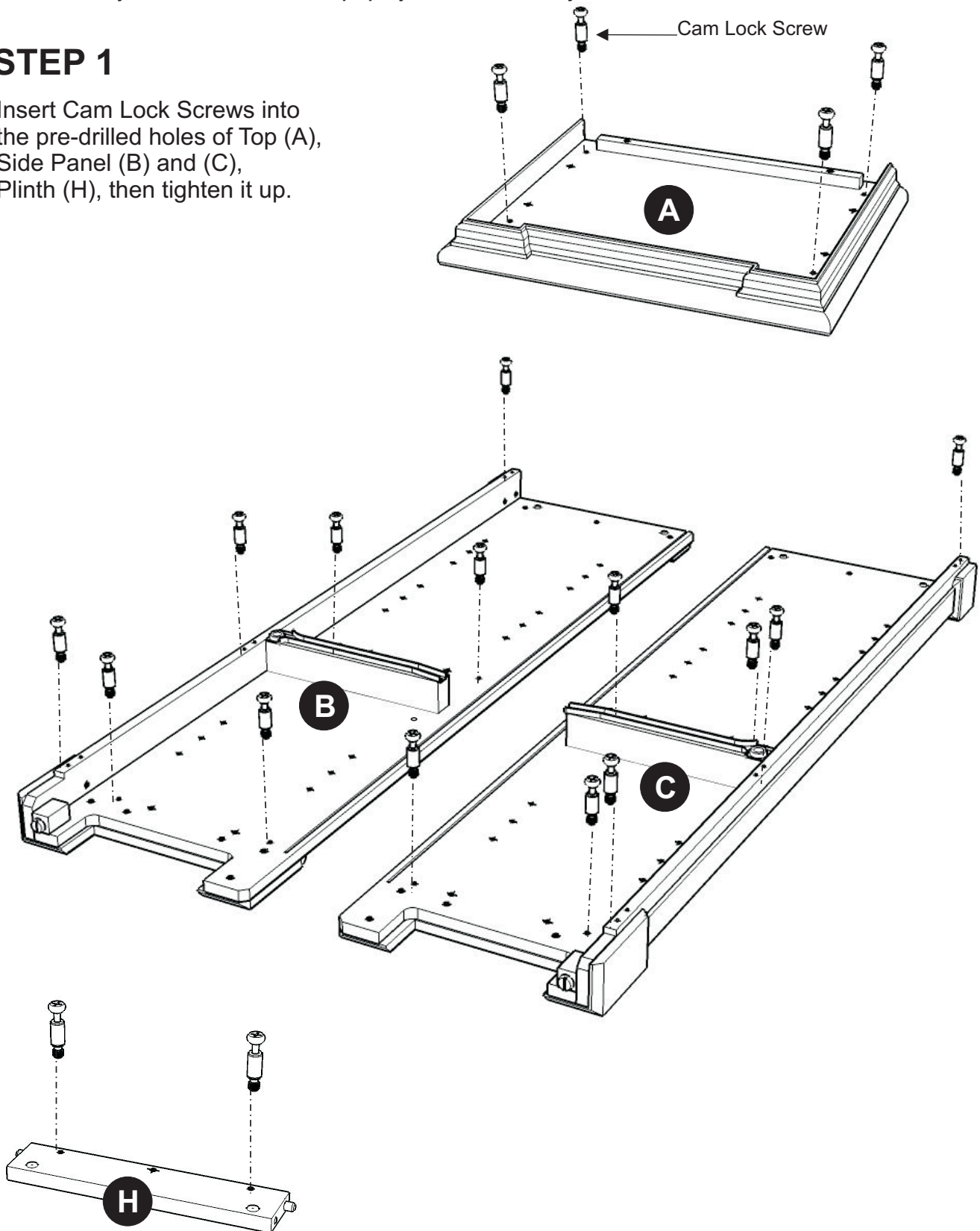
\* Do not tighten up all the screws until each part is properly assembled.

\* Use a soft cloth between these parts and the floor.

\* After assembly, item must be level to work properly. Use the included adjustable levelers to level.

## STEP 1

Insert Cam Lock Screws into the pre-drilled holes of Top (A), Side Panel (B) and (C), Plinth (H), then tighten it up.



## STEP 2

Attach Plinth (H) to Base (I) with Cam Locks.

Attach Front Rail (E) and (F), Fixed Shelf (G), and Base (I) to Side Panel (B) with Cam Locks. (See figure 1)

Slide Back Panel (D) into place.

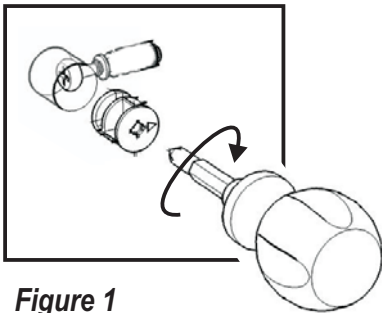
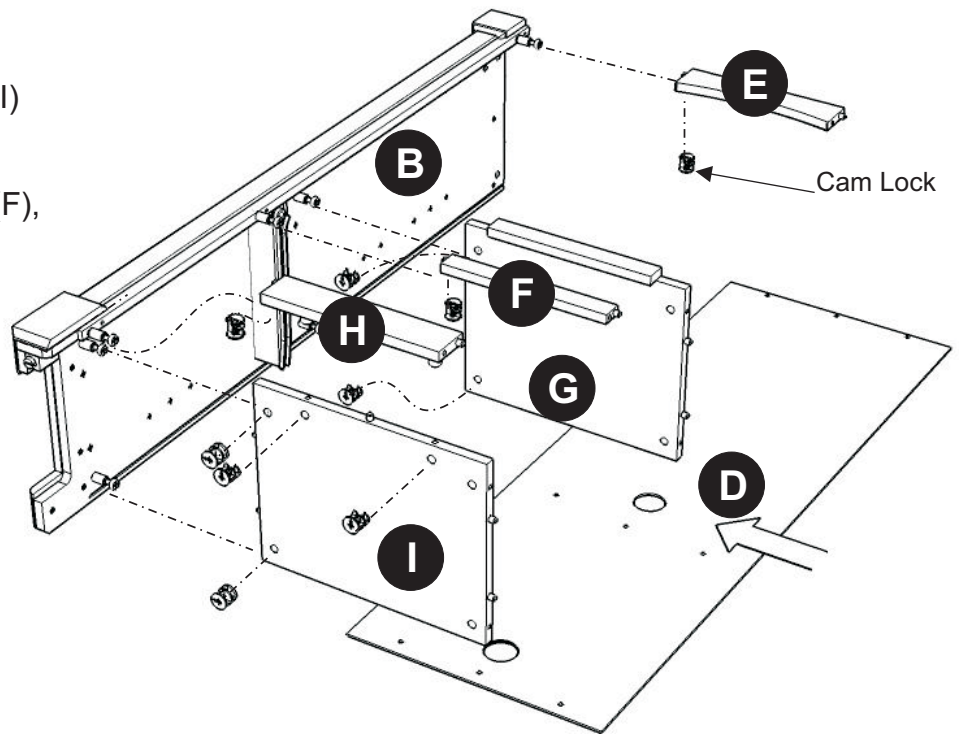
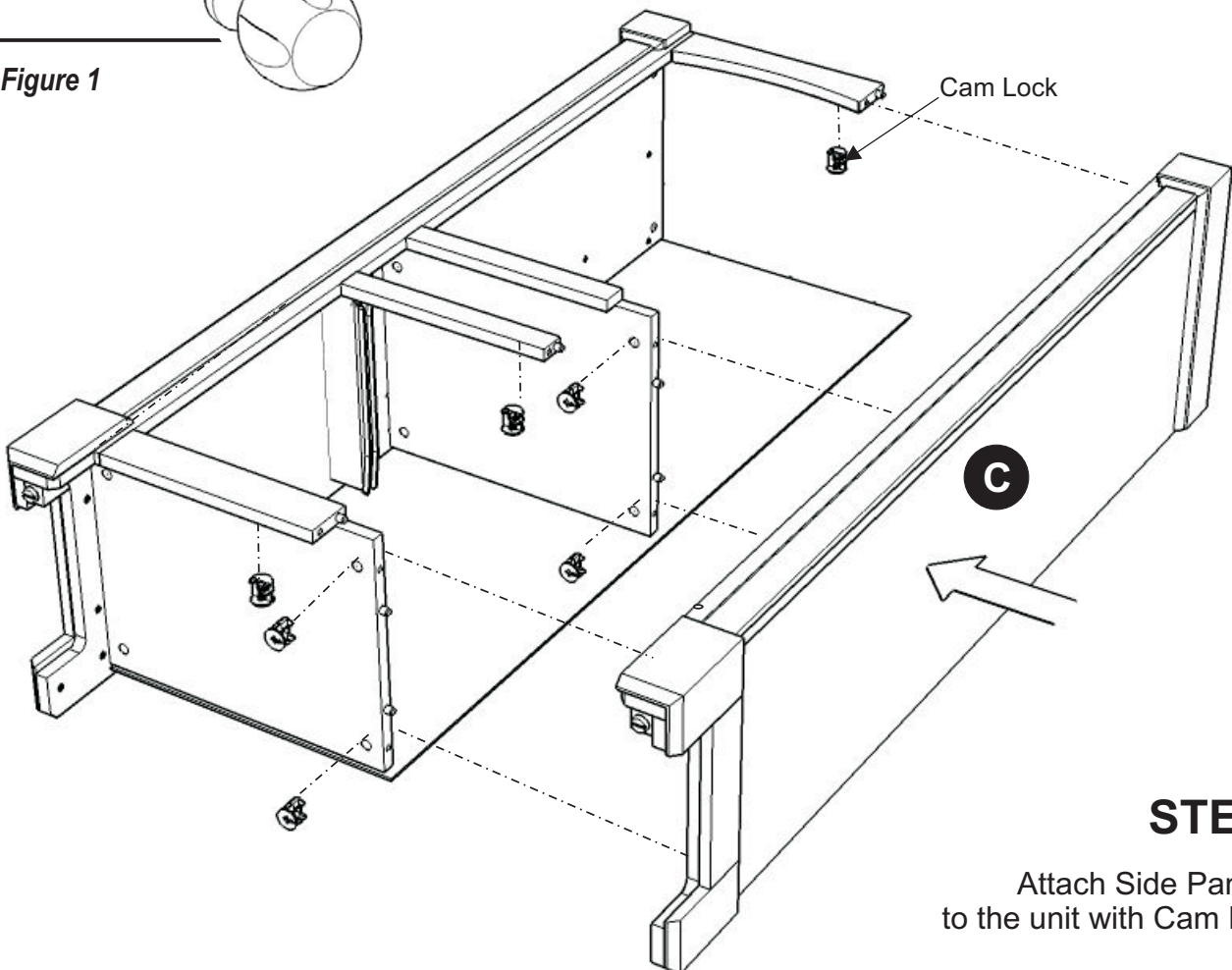


Figure 1



## STEP 3

Attach Side Panel (C) to the unit with Cam Locks.

## STEP 4

Turn the unit to its upright position.

Place Top (A) onto the unit with Cam Locks.

Insert Adjustable Pins into side panels at the desired level.

Place Shelves (J) into position.

Slide Drawer (K) into place.

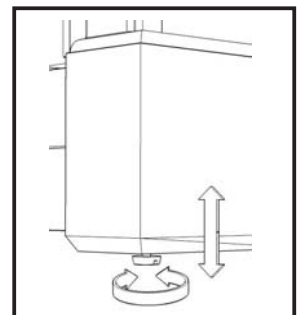
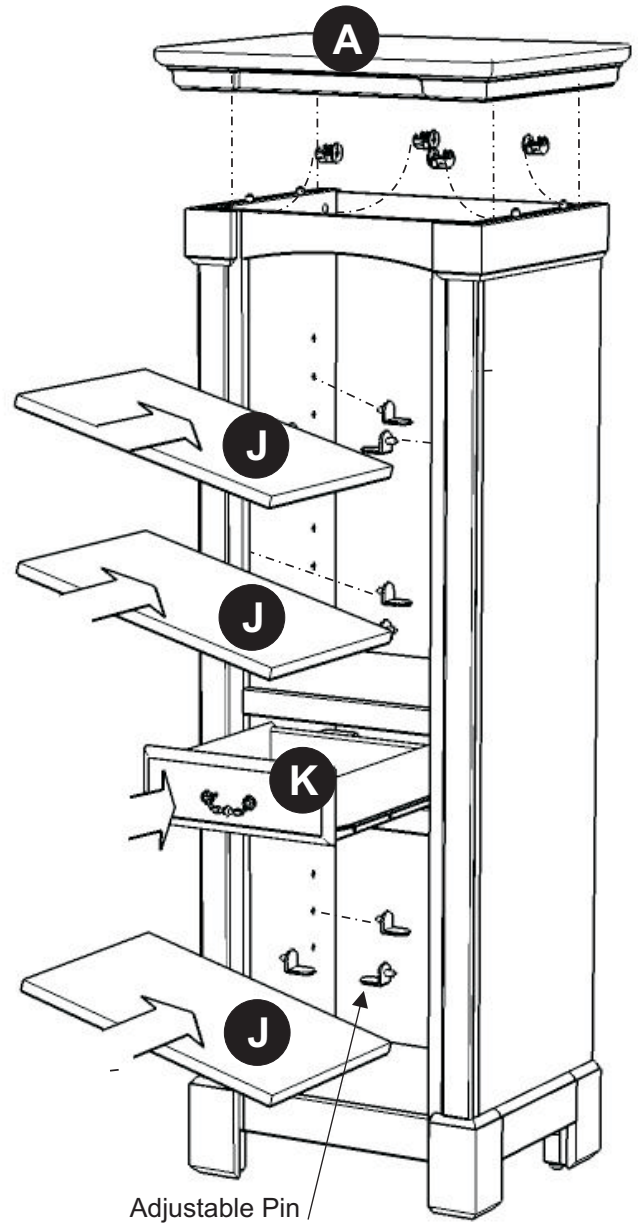
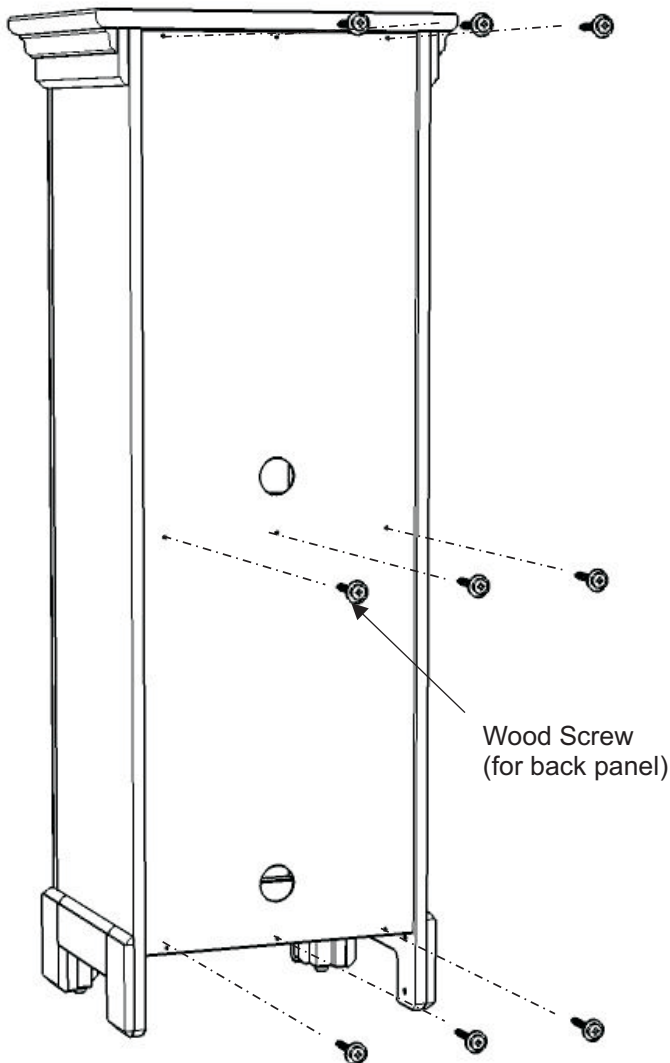


Figure 2

## STEP 5

To level the unit, adjust the adjustable levelers on the bottom of legs. (See figure 2)

Insert 9X Wood Screws into the pre-drilled holes of back panel.

**Note: Please make sure unit is level before tightening these screws.**

# Drawer (K)

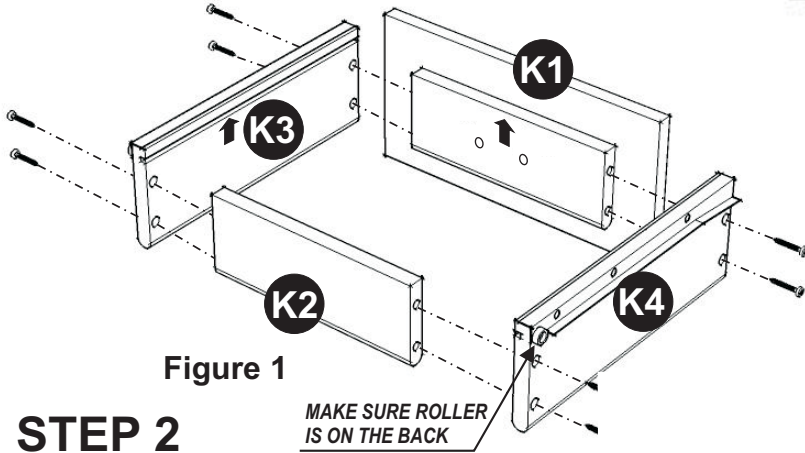
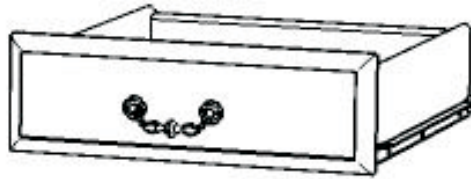


Figure 1

## STEP 1

Attach K1 to K3 and K4, using a Phillips screwdriver and long wood screws (4X), tighten halfway.

Attach K2 to K3 and K4 using long wood screws (4X), tighten halfway. (see Figure 1)

## STEP 2

Slide K5 into the grooves in K3 and K4. Be sure to push K5 all the way forward so it meets K1. (see Figure 2)

MAKE SURE ROLLER IS ON THE BACK

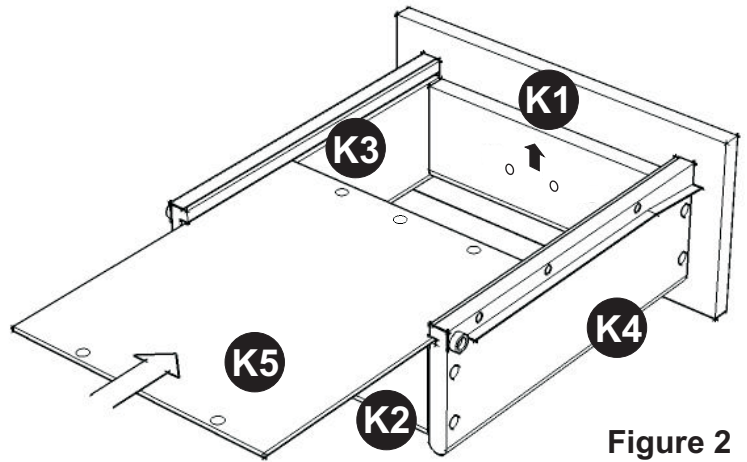


Figure 2

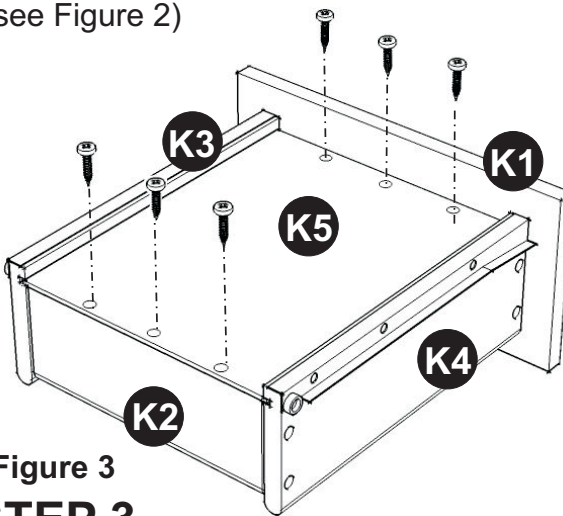


Figure 3

## STEP 3

Insert short wood screws (6X) into the pre-drilled holes in K5, tighten screws. (see Figure 3)

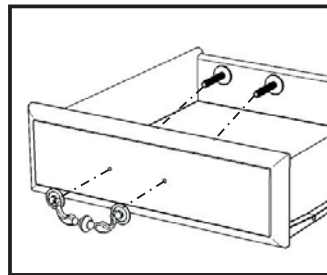


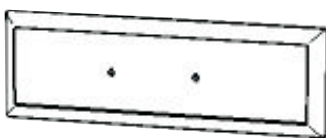
Figure 4

## STEP 4

Attach hardware pulls with machine screws. (see Figure 4)

Tighten all screws used in drawer assembly.

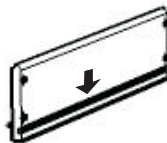
## Part List



K1.  
Front Part  
1 pc.



K2.  
Back Part  
1 pc.



K3.  
Side Part  
1 pc.



K4.  
Side Part  
1 pc.



K5.  
Base Part  
1 pc.