

88 5520 101

Aspen Entertainment Credenza

IMPORTANT NOTE

Carefully remove all the parts from the carton and put them individually on a soft cloth to prevent scratches or other damages occurring to the parts.

We have taken great care in the design of this product and request that you carefully and strictly follow our assembly instructions to ensure a completed product as it was designed.



Home
Styles

Part List



A.
Top
1 pc.



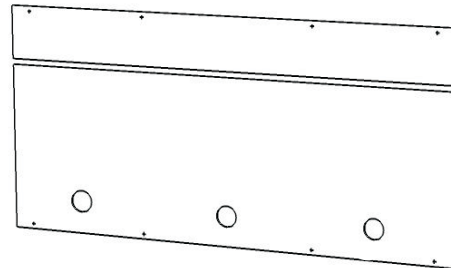
H
Back Stretcher
1 pc.



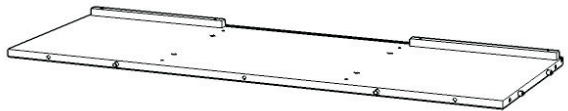
I.
Stetcher
1 pc.



J.
Plinth
1 pc.



M.
Back Panel
1 pc.



N.
Back Panel
1 pc.

O.
Base
1 pc.

Hardware List



Cam Lock Screw
33 pcs.(+2 extra)



Wood Screw (short)
for Magnet
4 pcs.(+1 extra)



Magnet
2 pcs.



Wood Screw (short)
for Drawer Base Part
and Back Panel
34 pcs. (+1 extra)



Machine Screw
8 pcs.



Cam Lock
33 pcs.(+6 extra)



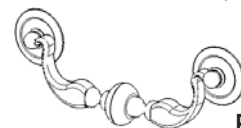
Wood Screw (long)
for Drawer Side Part
24 pcs. (+1 extra)



Adjustable Pin
12 pcs.(+1 extra)



Knob
2 pcs.



Pull Handle
3 pcs.

For assembly see instructions in carton 88 5520 102

Tools required for assembly : Phillips screwdriver

Tools recommended for assembly : Level

Home Styles Consumer Assistance Line 888-680-7460 and 877-831-0319
servicedesk@homestyles-furniture.com

88 5520 102

Aspen Entertainment Credenza

IMPORTANT NOTE

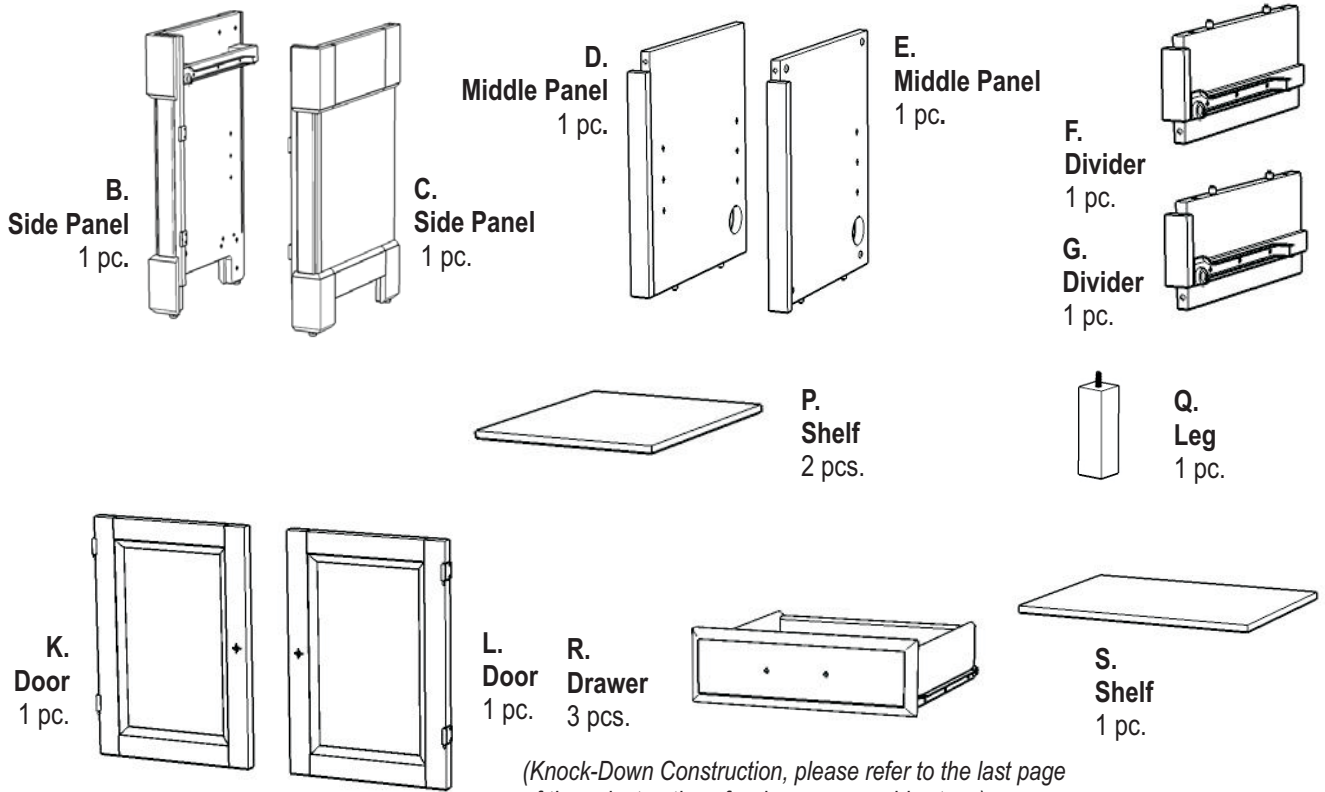
Carefully remove all the parts from the carton and put them individually on a soft cloth to prevent scratches or other damages occurring to the parts.

We have taken great care in the design of this product and request that you carefully and strictly follow our assembly instructions to ensure a completed product as it was designed.



Home
Styles

Part List (in this carton)



Also need the following from carton 88 5520 101 :

Part List in carton 88 5520 101

Top (A)	1 pc.
Back Panel (M)	1 pc.
Back Panel (N)	1 pc.
Base (O)	1 pc.
Back Stretcher (H)	1 pc.
Stretcher (I)	1 pc.
Plinth (J)	1 pc.

Hardware List in carton 88 5520 101

Cam Lock Screw	33 pcs.
Cam Lock	33 pcs.
Wood Screw (long) for Drawer Side	24 pcs.
Wood Screw for Magnet	4 pcs.
Wood Screw for Back Panel and Drawer Base	34 pcs.
Adjustable Pin	12 pcs.
Pull Handle	3 pcs.
Machine Screw	8 pcs.
Knob	2 pcs.
Magnet	2 pcs.

Tools required for assembly : **Phillips** screwdriver

Tools recommended for assembly : Level

Home Styles Consumer Assistance Line 888-680-7460 and 877-831-0319
servicedesk@homestyles-furniture.com

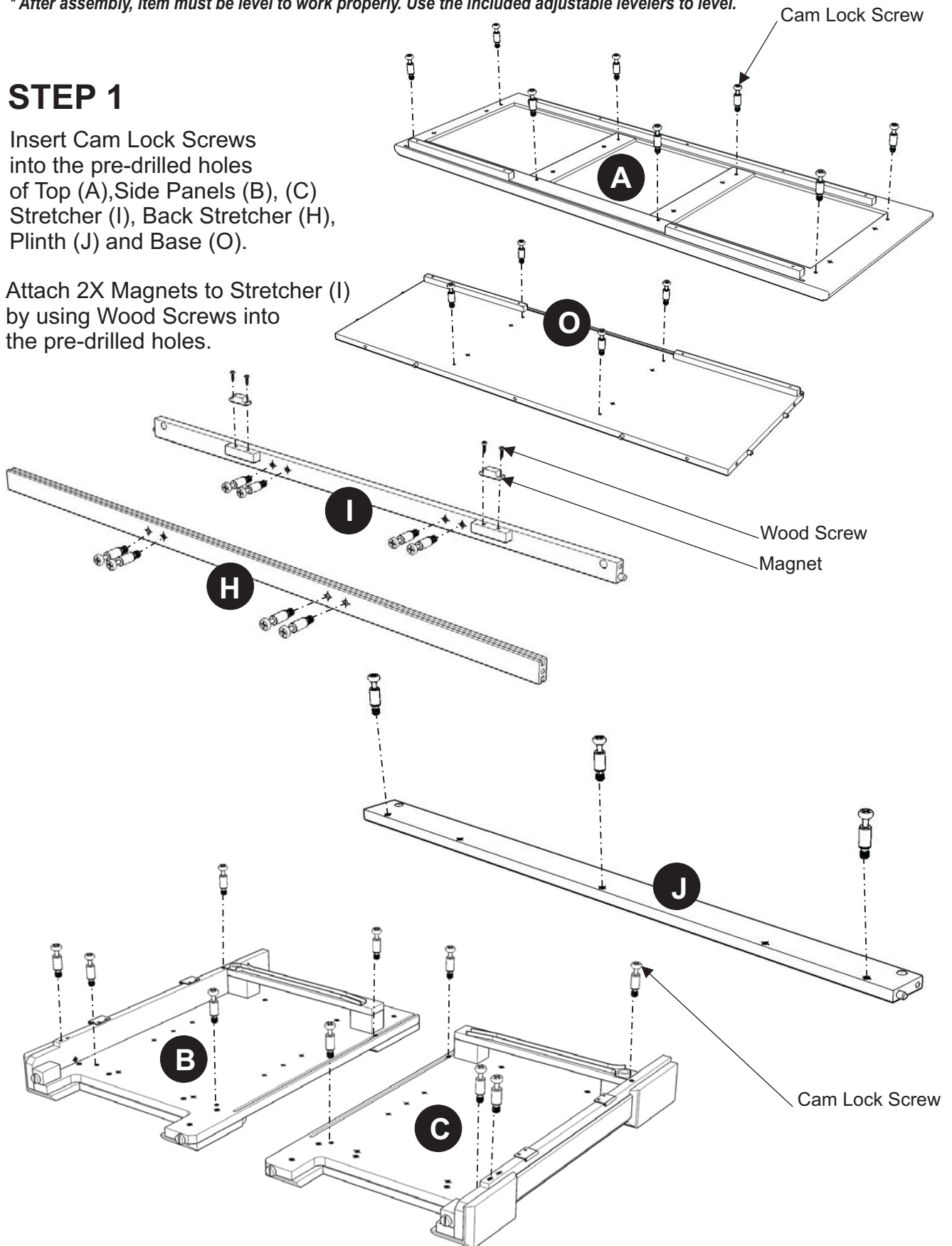
IMPORTANT

- * Do not tighten up all the screws until each part is properly assembled.
- * You should keep Hex Wrench in a safe place as you may need to tighten up the Head Cap Bolts in the future.
- * After assembly, item must be level to work properly. Use the included adjustable levelers to level.

STEP 1

Insert Cam Lock Screws into the pre-drilled holes of Top (A), Side Panels (B), (C) Stretcher (I), Back Stretcher (H), Plinth (J) and Base (O).

Attach 2X Magnets to Stretcher (I) by using Wood Screws into the pre-drilled holes.



STEP 2

Attach Middle Panels (D), (E) and Divider (F) (G) to Back Stretcher (H) with Cam Locks. (see Figure 1)

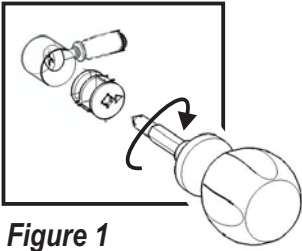
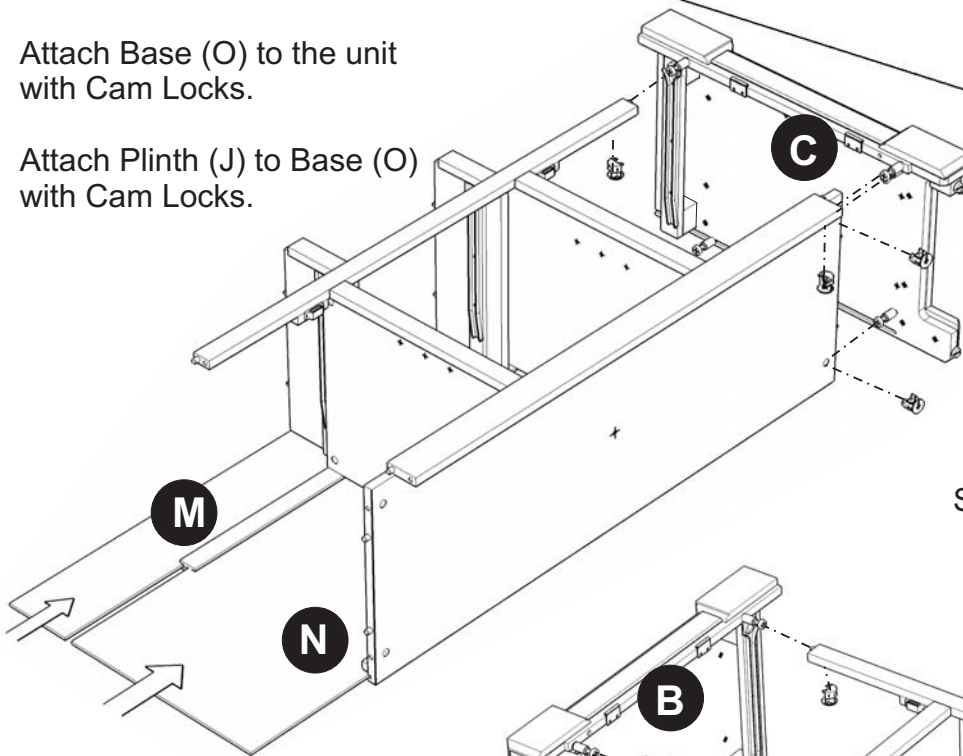
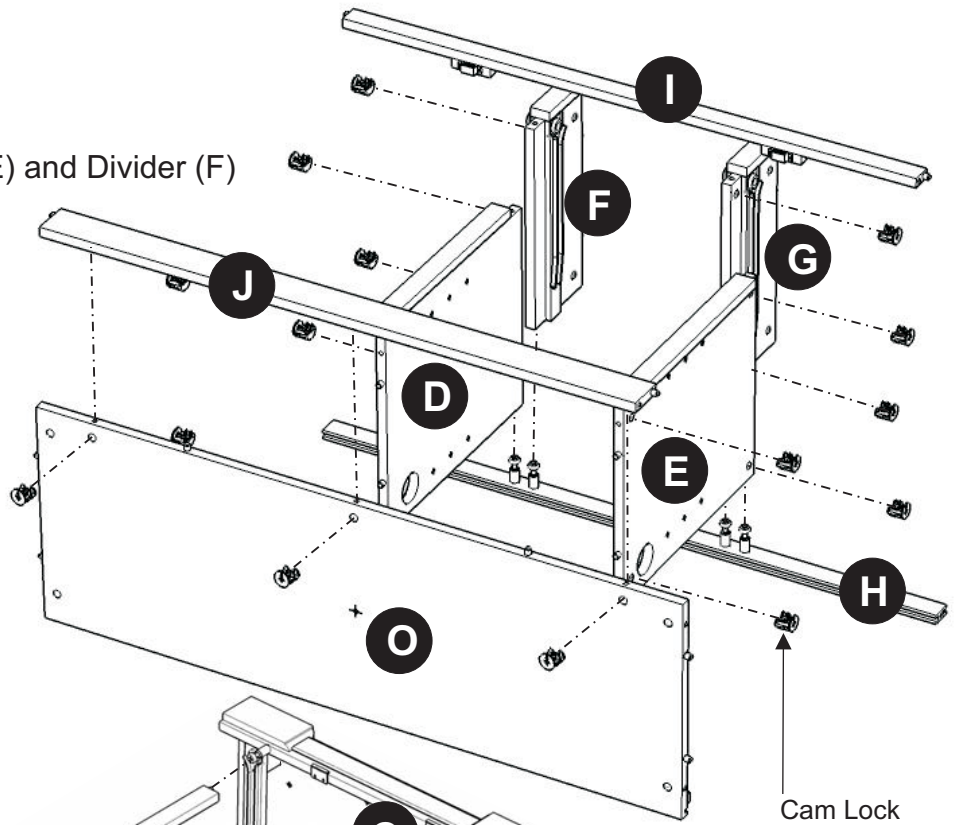


Figure 1

Attach Stretcher (I) to unit with Cam Locks.

Attach Base (O) to the unit with Cam Locks.

Attach Plinth (J) to Base (O) with Cam Locks.



STEP 3

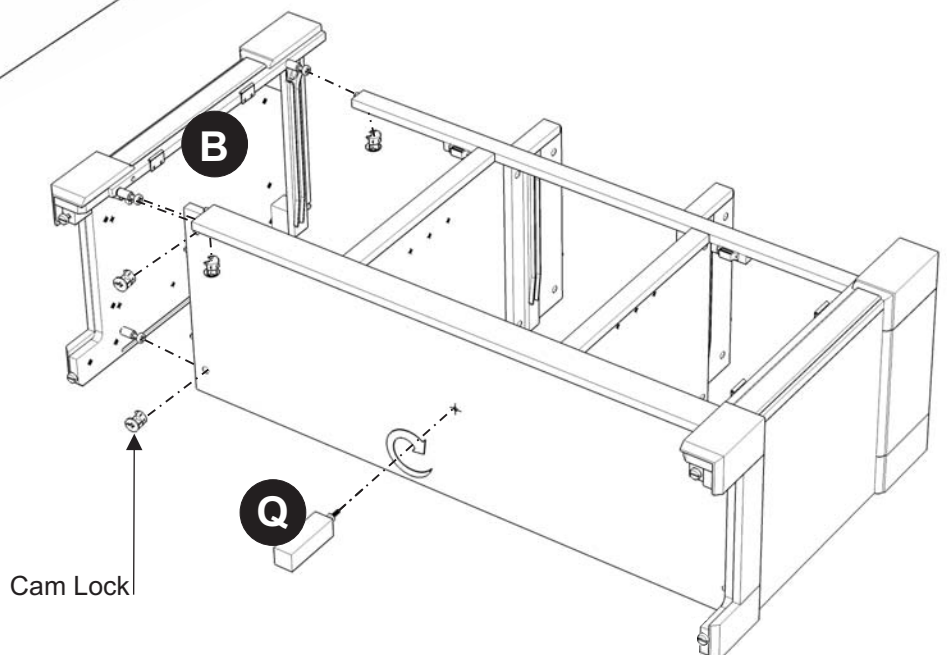
Attach Side Panel (C) to the unit with Cam Locks.

Slide Back Panels (M) and (N) into place.

STEP 4

Attach Side Panel (B) to the unit with Cam Locks.

Attach Leg (Q) to the unit.



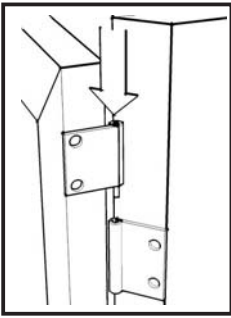


Figure 2

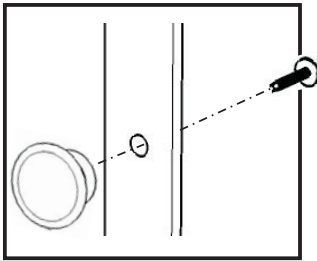
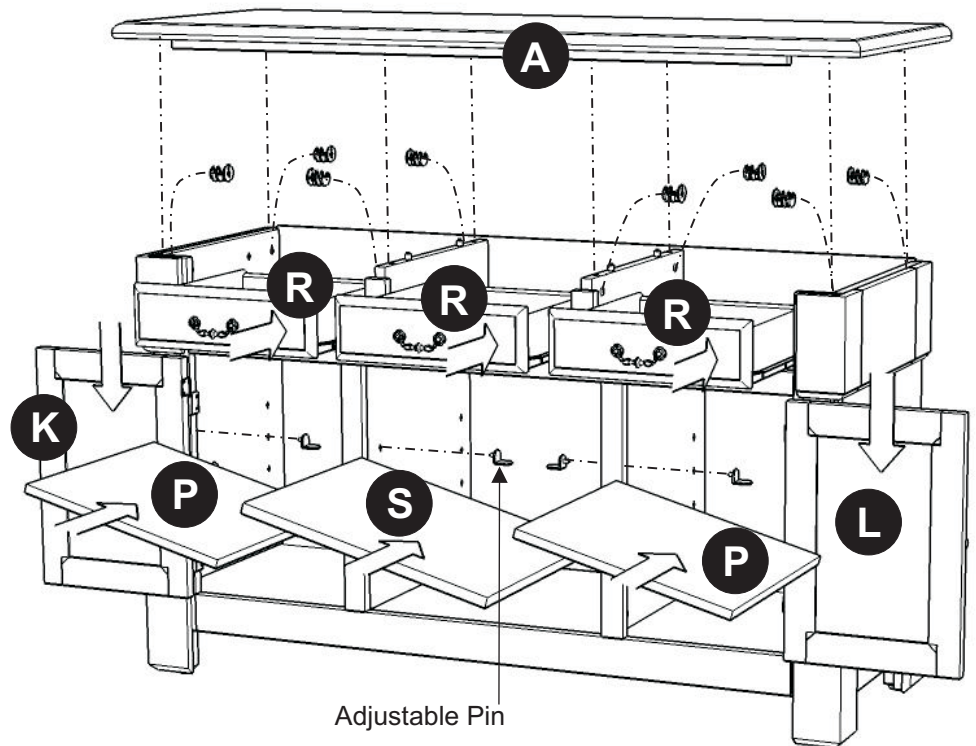


Figure 3



Adjustable Pin

STEP 5

Place Top (A) onto unit with Cam Locks.

Attach Doors (K) and (L) by sliding the door lift hinges into the side panels lift hinges. (see Figure 2)

Assemble Pull Handles to Doors (K) and (N) with Machine Screws. (see Figure 3)

Insert Adjustable Pins into side panels and middle panels at the desired level, then place Shelves (P) and (S) into position.

Slide the Drawers (R) into position.

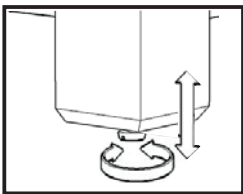


Figure 4

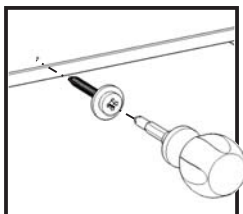
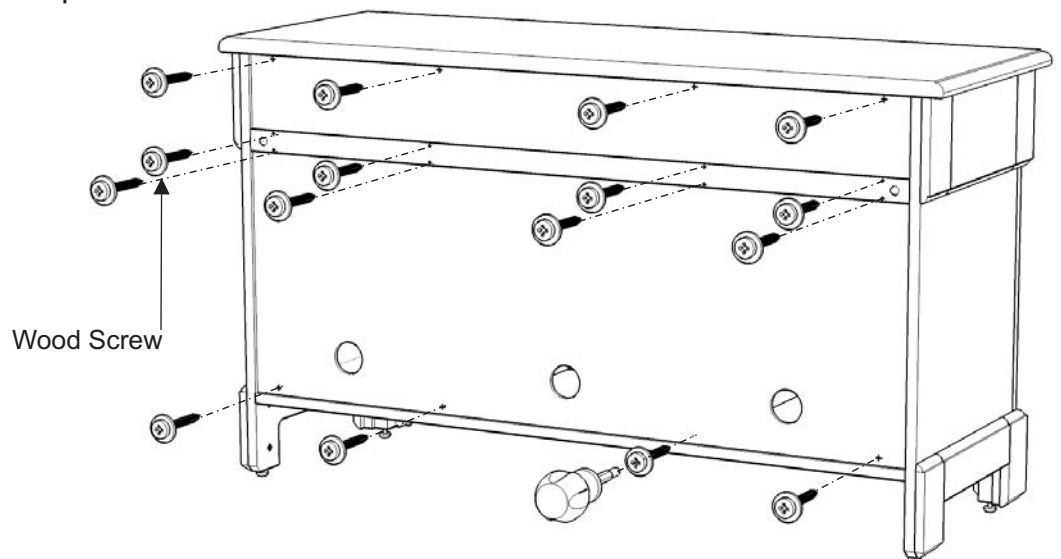


Figure 5



Wood Screw

STEP 6

To level the unit, adjust the adjustable levelers on the bottom of legs. (See figure 4)

Insert 16X Wood Screws from the back of the unit, tighten up all the Wood Screws. (see Figure 5)

Note: Please make sure unit is level before tightening these screws.

Drawer (R)

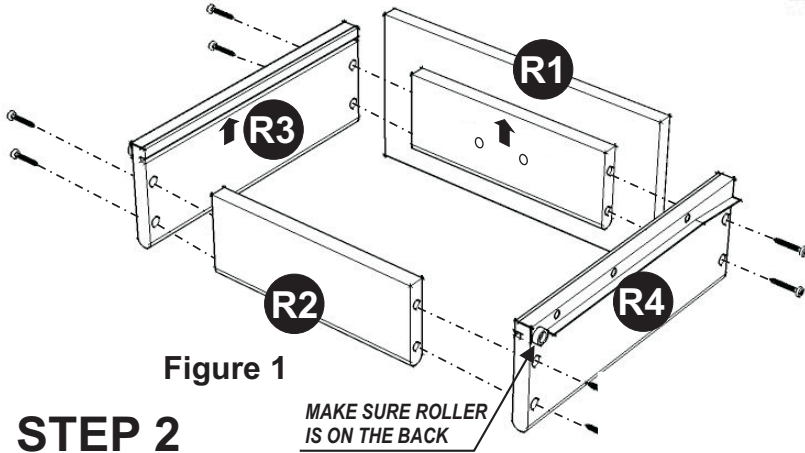
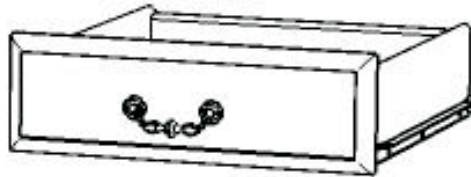


Figure 1

STEP 1

Attach R1 to R3 and R4, using a Phillips screwdriver and long wood screws (4X), tighten halfway.

Attach R2 to R3 and R4 using long wood screws (4X), tighten halfway. (see Figure 1)

STEP 2

Slide R5 into the grooves in R3 and R4. Be sure to push R5 all the way forward so it meets R1. (see Figure 2)

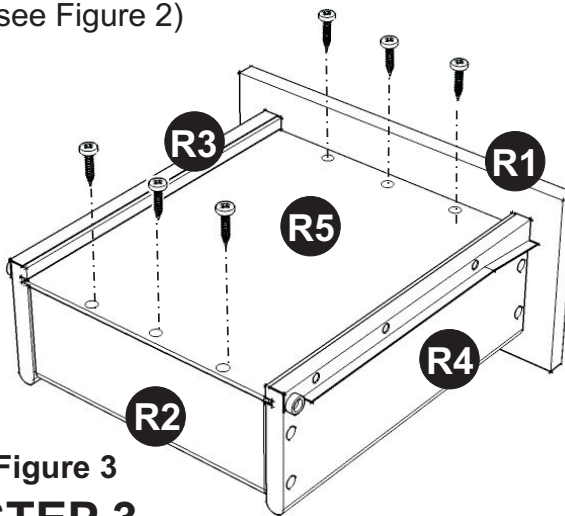


Figure 3

STEP 3

Insert short wood screws (6X) into the pre-drilled holes in R5, tighten screws. (see Figure 3)

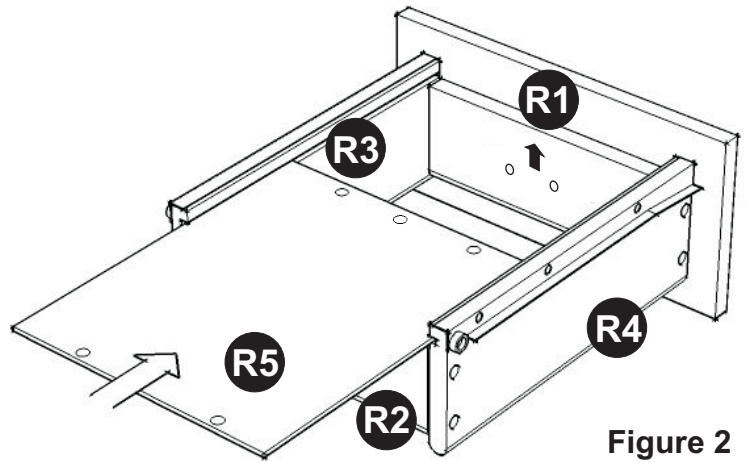


Figure 2

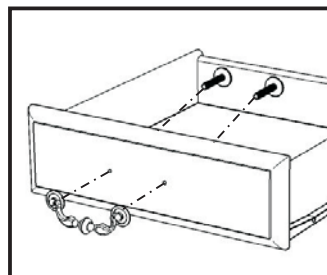


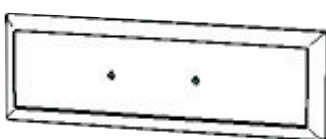
Figure 4

STEP 4

Attach hardware pulls with machine screws. (see Figure 4)

Tighten all screws used in drawer assembly.

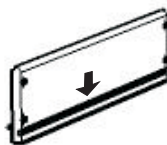
Part List



R1.
Front Part
3 pcs.



R2.
Back Part
3 pcs.



R3.
Side Part
3 pcs.



R4.
Side Part
3 pcs.



R5.
Base Part
3 pcs.