

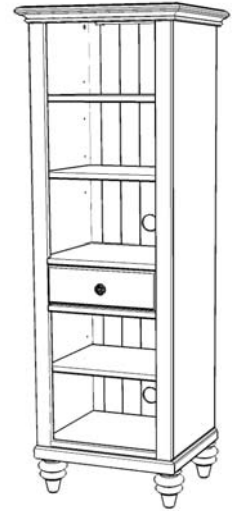
88 5543 131 Bermuda Pier Cabinet

IMPORTANT NOTE

Carefully remove all the parts from the carton and put them individually on a soft cloth to prevent scratches or other damages occurring to the parts.

We have taken great care in the design of this product and request that you carefully and strictly follow our assembly instructions to ensure a completed product as it was designed.

*Home
Styles*



Part List

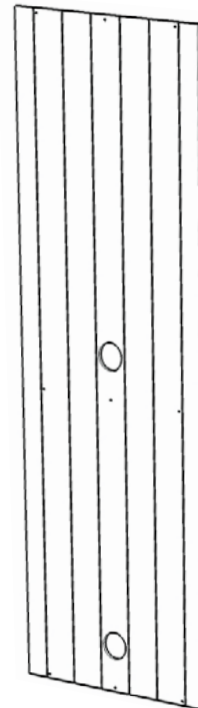
B.
Side Panel
1 pc.



C.
Side Panel
1 pc.



D.
Back Panel
1 pc.



Hardware List



Cam Lock Screw
16 pcs.(+1 extra)



**Wood Screw
for Back Panel
and Drawer Bottom**
15 pcs.(+1 extra)



Pull Handle
1 pc.



Cam Lock
16 pcs.(+4 extra)



Adjustable Pin
12 pcs.(+1 extra)



**Wood Screw (long)
for Drawer Sides**
8 pcs. (+1 extra)



Machine Screw
1 pc.

For assembly see instructions in carton 88 5543 132

Tools required for assembly : **Phillips** screwdriver

Tools recommended for assembly :Level

Home Styles Consumer Assistance Line 888-680-7460 and 877-831-0319
servicedesk@homestyles-furniture.com

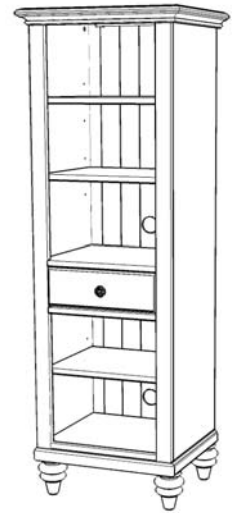
88 5543 132 Bermuda Pier Cabinet

IMPORTANT NOTE

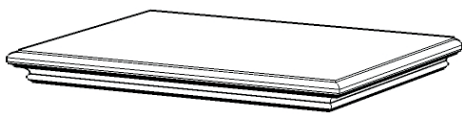
Carefully remove all the parts from the carton and put them individually on a soft cloth to prevent scratches or other damages occurring to the parts.

We have taken great care in the design of this product and request that you carefully and strictly follow our assembly instructions to ensure a completed product as it was designed.

*Home
Styles*



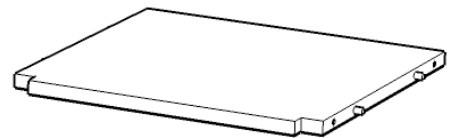
Part List



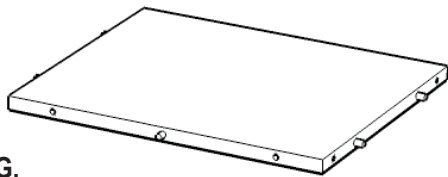
A.
Top
1 pc.



E.
Front Stretcher
1 pc.



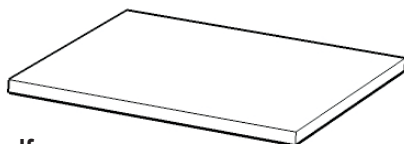
F.
Fixed Shelf
1 pc.



G.
Base
1 pc.



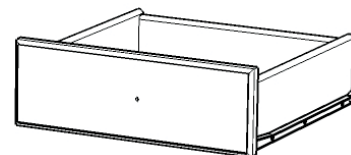
H.
Plinth
1 pc.



I.
Shelf
3 pcs.



J.
Leg
4 pcs.



K.
Drawer
1 pc.

(Knock-Down Construction, please refer to the last page of these instructions for steps to complete assembling drawers)

Also need the following from carton 88 5543 131 :

Part List in carton 88 5543 131

Side Panel (B)	1 pc.
Side Panel (C)	1 pc.
Back Panel (D)	1 pc.

Hardware List in carton 88 5543 131

Cam Lock Screw	16 pcs.
Cam Lock	16 pcs.
Wood Screw for Back Panels	9 pcs.
Adjustable Pin	12 pcs.
Pull Handle	1 pc.
Machine Screw for Pull Handle	1 pc.
Wood Screw (long)	8 pcs.
Wood Screw	6 pcs.

Tools required for assembly : **Phillips** screwdriver

Tools recommended for assembly :Level

Home Styles Consumer Assistance Line 888-680-7460 and 877-831-0319
servicedesk@homestyles-furniture.com

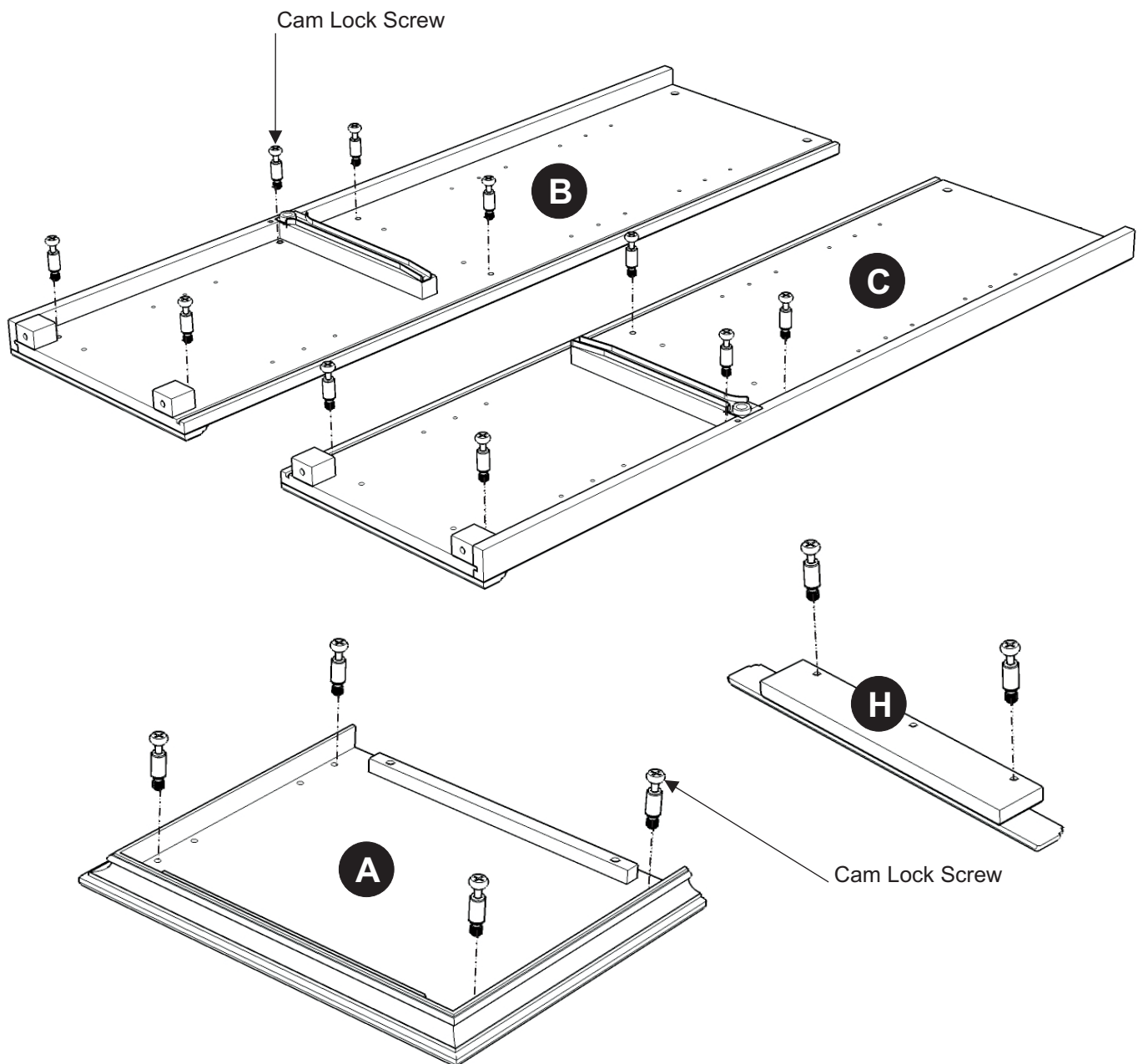
Assembly Instructions 2/5

IMPORTANT

- * Do not tighten up all the screws until each part is properly assembled.
- * After assembly item must be level to work properly. Use the included adjustable levelers to level.
- * Use a soft cloth between these parts and the floor.

STEP 1

Insert Cam Lock Screws into the pre-drilled holes of Top (A), Side Panel (B) and (C), Base (E), Plinth (H).



STEP 2

Attach Plinth (H) to Base (G) with Cam Locks.

Attach Front Piece (E), Fixed Shelf (F), and Base (G) to Side Panel (B) with Cam Locks. (See figure 1)

Slide Back Panel (D) into place.

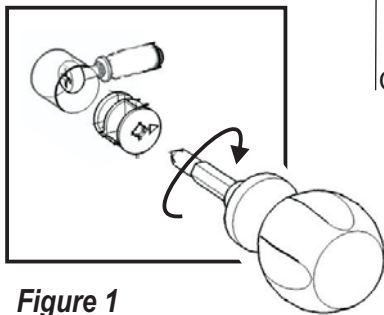
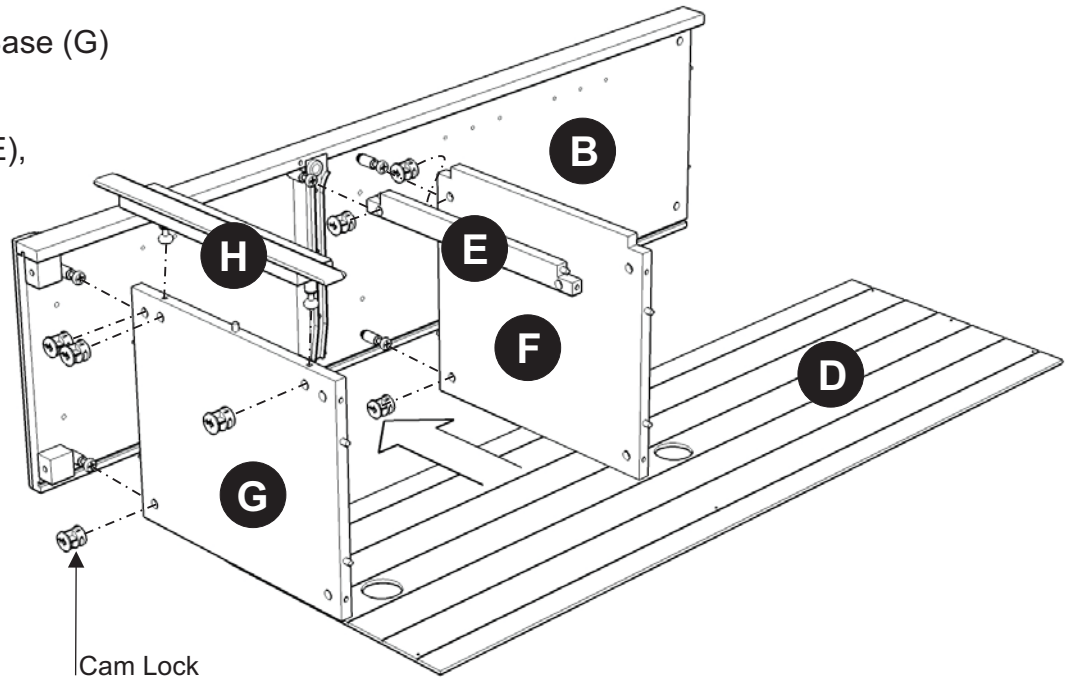
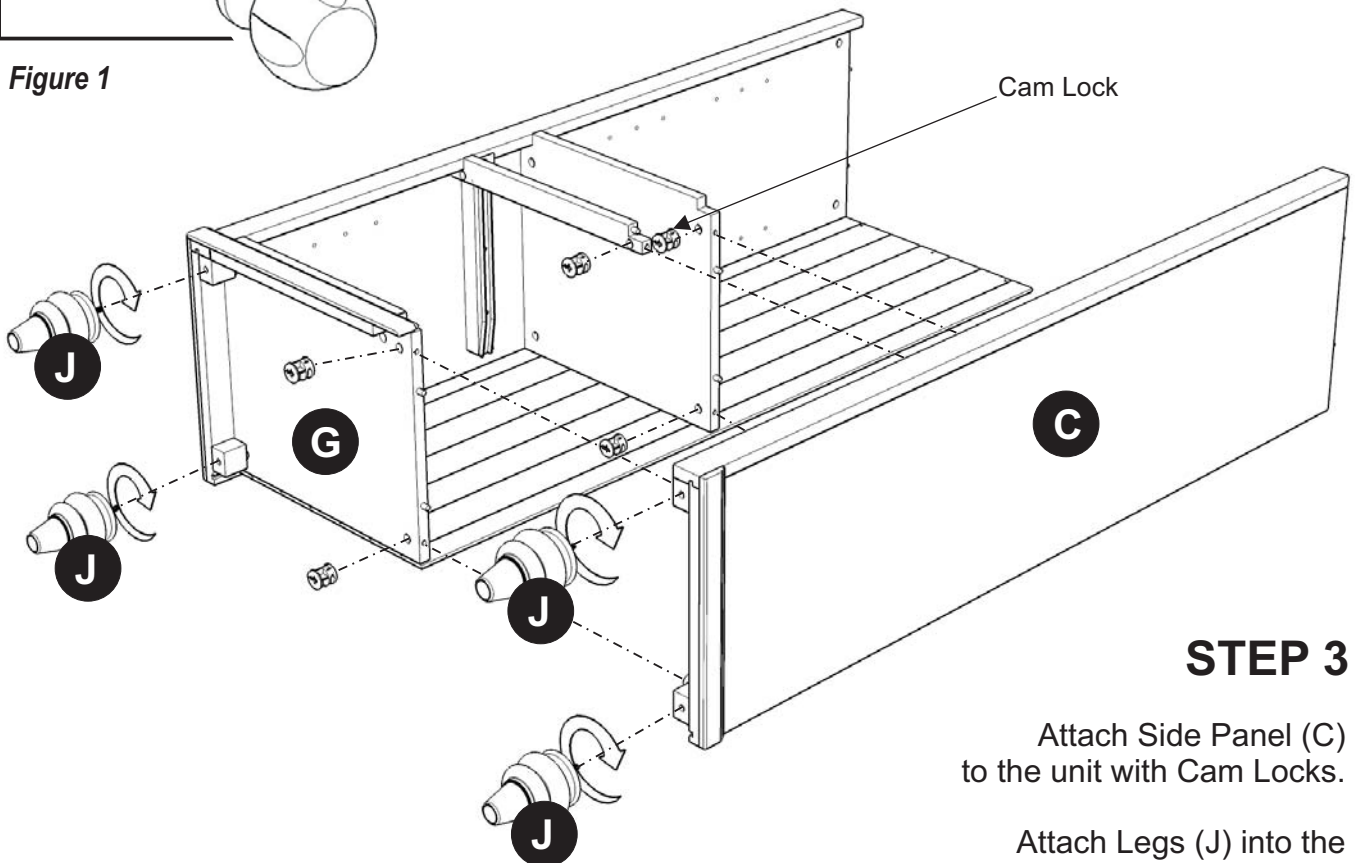


Figure 1



STEP 3

Attach Side Panel (C) to the unit with Cam Locks.

Attach Legs (J) into the pre-drilled holes of Base (G), Side Panel (C) and tighten.

STEP 4

Turn the unit to its upright position.

Place Top (A) onto the unit with Cam Locks.

Insert Adjustable Pins into side panels at the desired level.

Place Shelves (I) into position.

Slide the Drawer (K) into place.

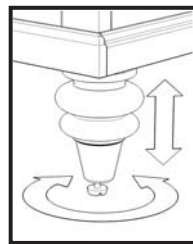
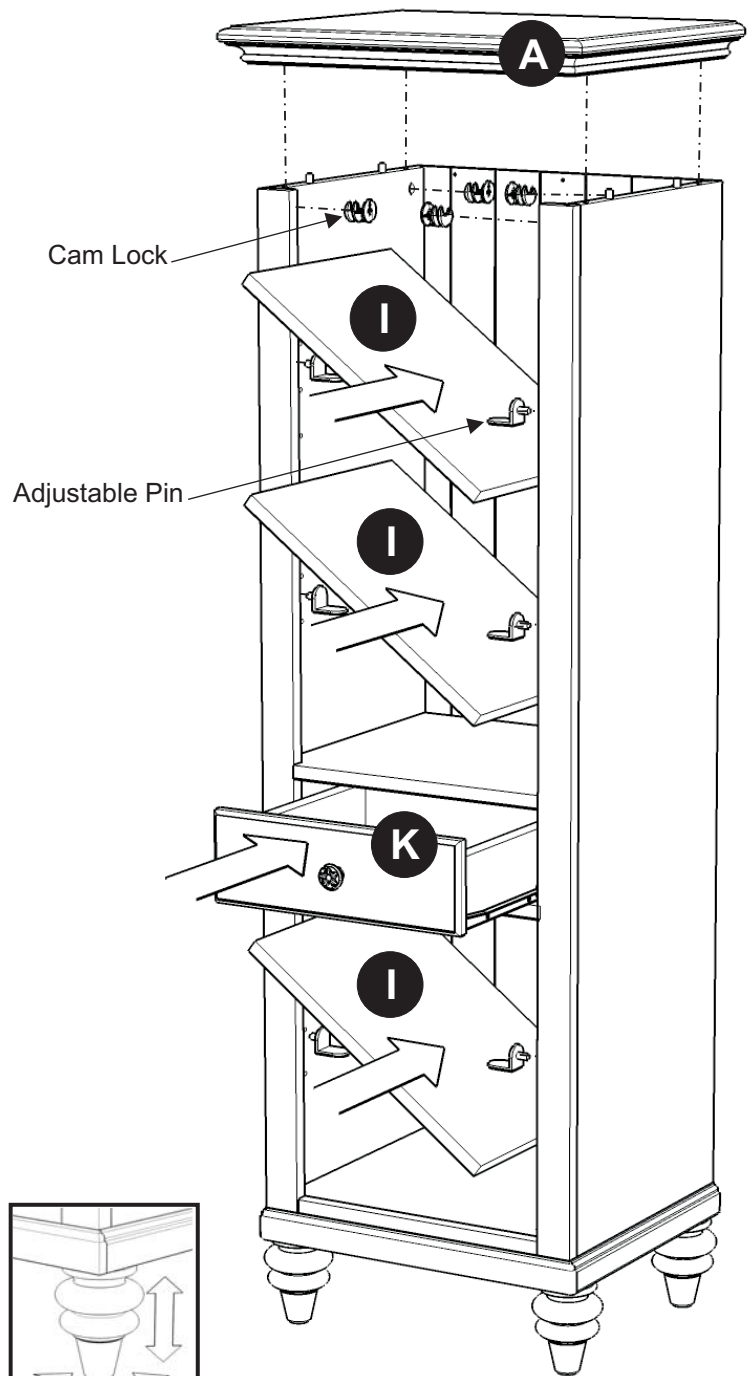
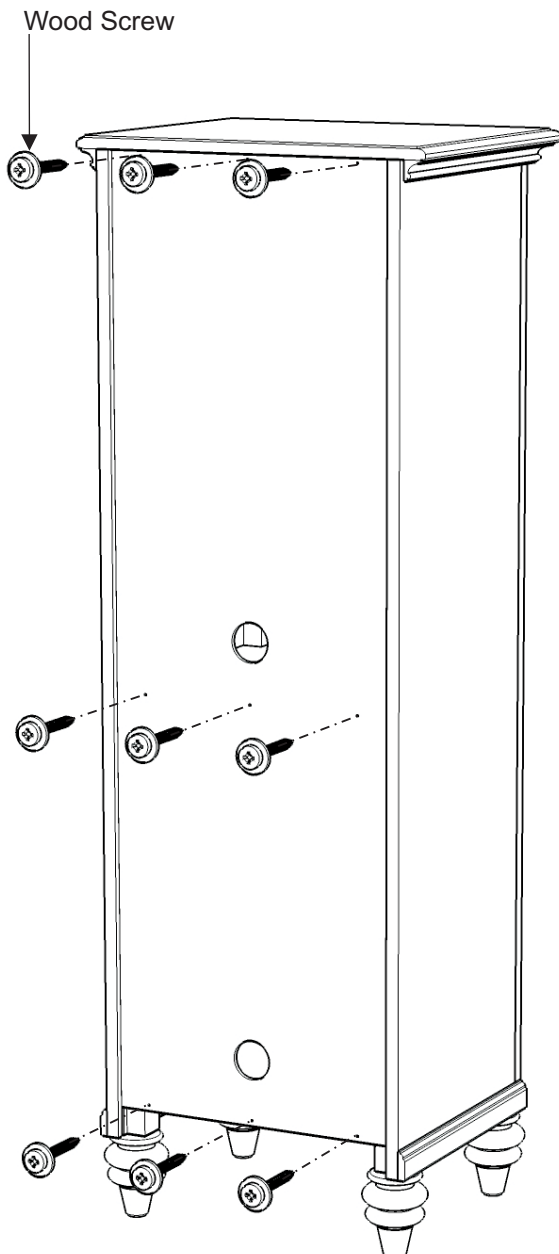


Figure 2

STEP 5

To level the unit, adjust the adjustable levelers on the bottom of legs. (see Figure 2)

Insert 9X Wood Screws into the pre-drilled holes of back panel.

Note: Please make sure unit is level before tightening these screws.

Drawer (K)

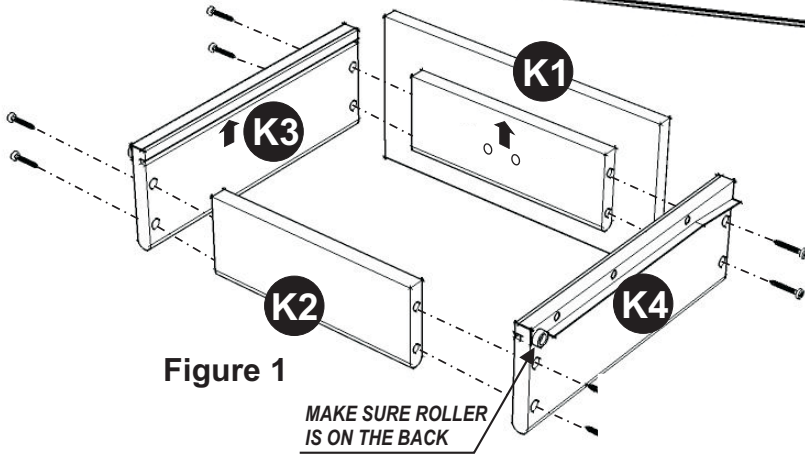
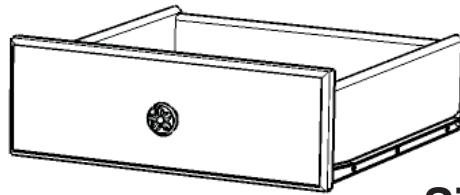


Figure 1

STEP 1

Attach K1 to K3 and K4, using a Phillips screwdriver and long wood screws (4X), tighten halfway.

Attach K2 to K3 and K4 using long wood screws (4X), tighten halfway. (see Figure 1)

STEP 2

Slide K5 into the grooves in K3 and K4. Be sure to push K5 all the way forward so it meets K1. (see Figure 2)

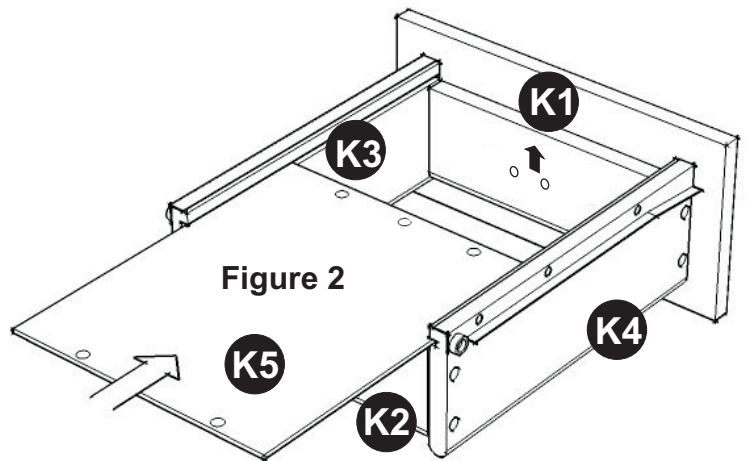


Figure 2

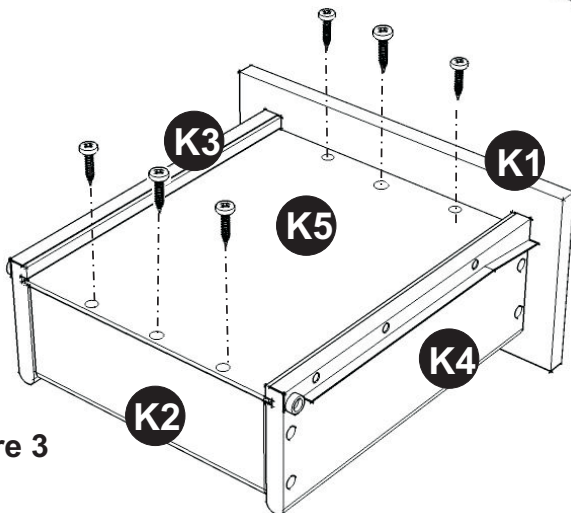


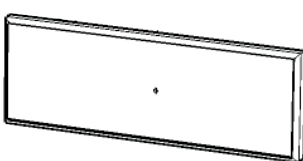
Figure 3

STEP 3

Insert short wood screws (6X) into the pre-drilled holes in K5, tighten screws. (see Figure 3)

Tighten all screws used in drawer assembly.

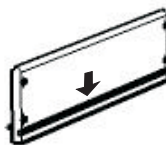
Part List



K1.
Front Part
1 pc.



K2.
Back Part
1 pc.



K3.
Side Part
1 pc.



K4.
Side Part
1 pc.



K5.
Base Part
1 pc.