

# 88 5180 04

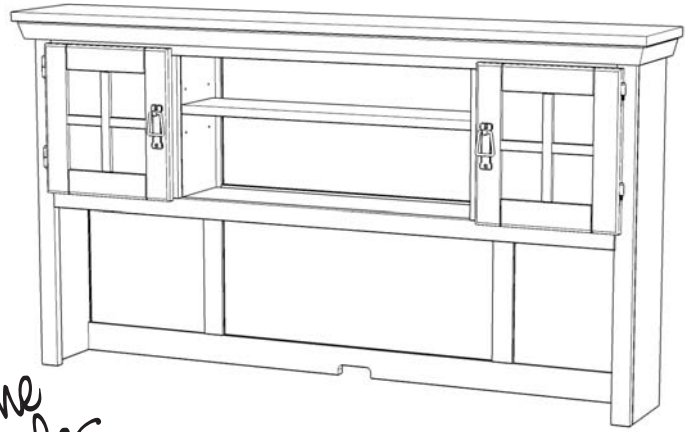
## Arts & Crafts Computer Hutch (Cottage Oak)

### IMPORTANT NOTE

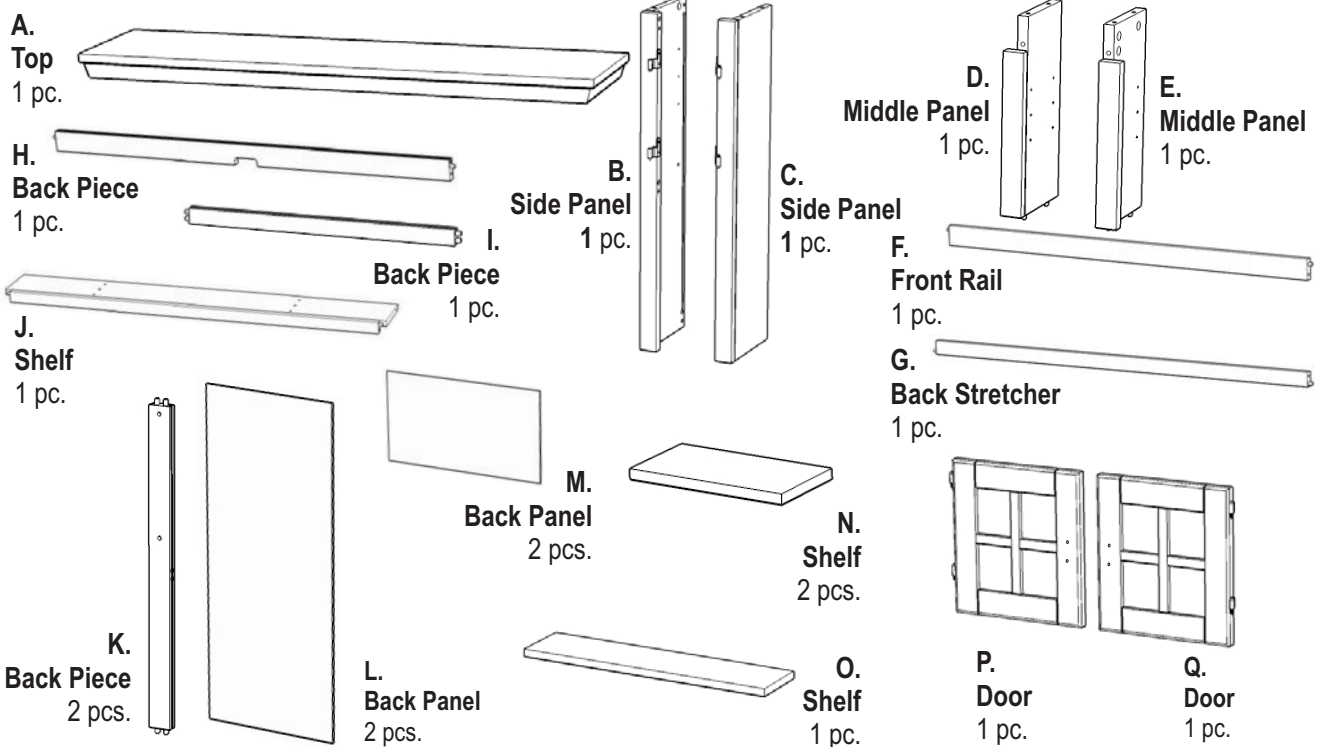
Carefully remove all the parts from the carton and put them individually on a soft cloth to prevent scratches or other damages occurring to the wood parts.

We have taken great care in the design of this product and request that you carefully and strictly follow our assembly instructions to ensure a completed product as it was designed.

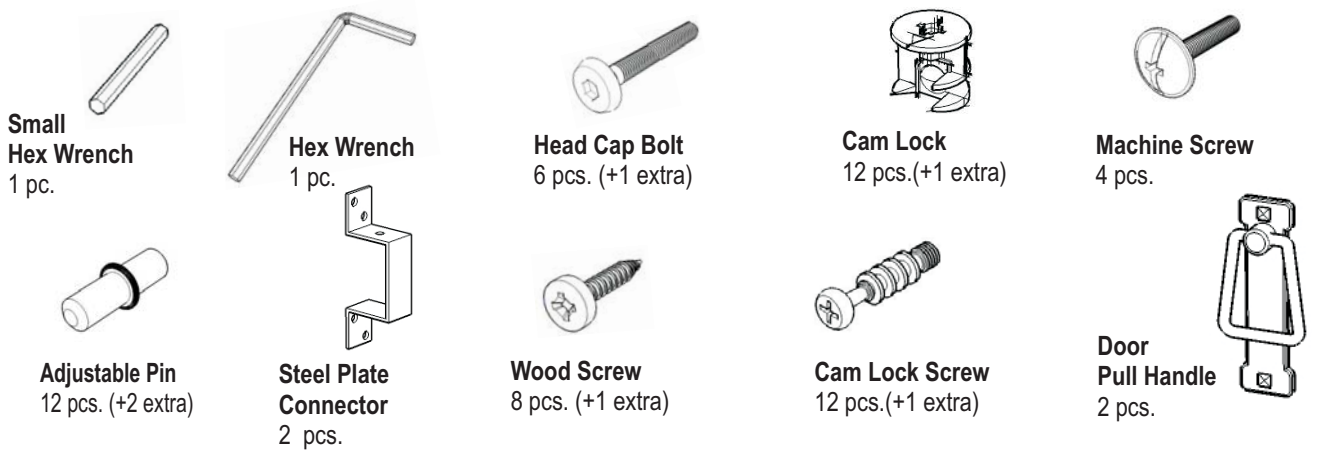
*Home Styles*



### Hutch Unit Part List



### Hardware List



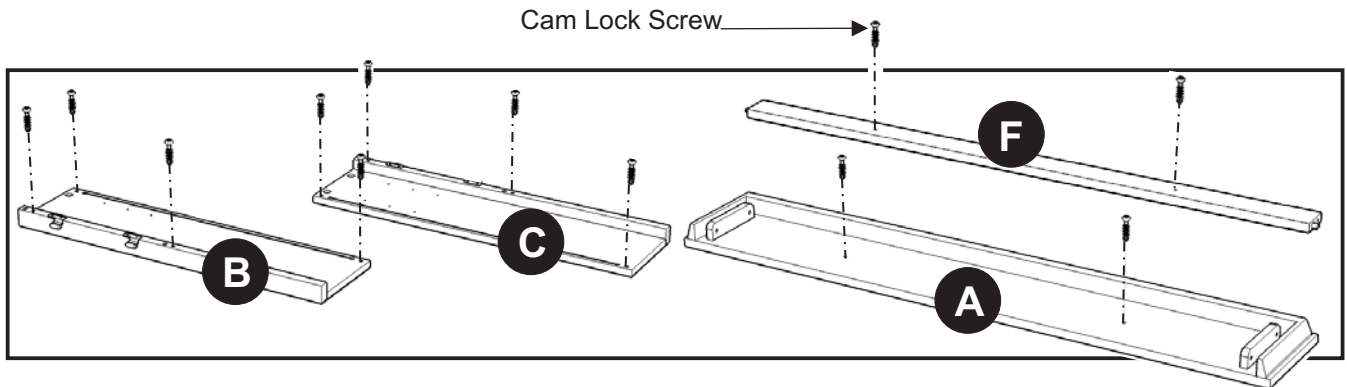
Tools required for assembly : **Phillips** screwdriver

**Home Styles Consumer Assistance Line 888-680-7460 and 877-831-0319**  
[servicedesk@homestyles-furniture.com](mailto:servicedesk@homestyles-furniture.com)

## IMPORTANT

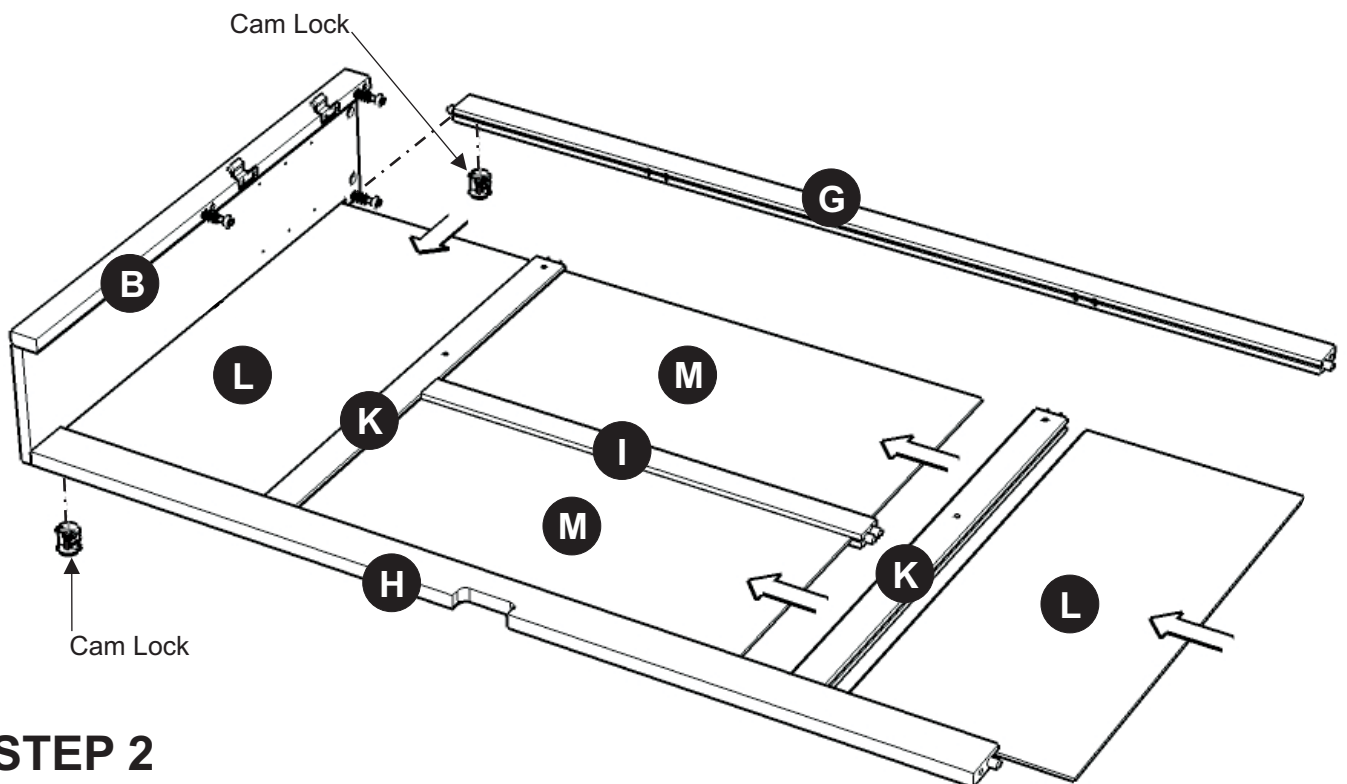
Do not tighten up all the screws until each part is properly assembled.

You should keep Hex Wrench in the safe place as you may need to tighten up the Head Cap Bolts in the future.



## STEP 1

Put Cam Lock Screws into the pre-drilled holes of Top (A) Side Panel (B),(C) Front Rail (I) and tighten.



## STEP 2

Attach Back Stretcher (H) to Side Panel (B) using Cam Lock.

Attach Back Piece (K) to Back Stretcher (H) and slide Back Panel (L) into place.

Attach Back Piece (I) to the unit and slide Back Panel (M) into place.

Attach Back Piece (K) to the unit and slide Back Panel (L) into Place.

Attach Back Stretcher (G) to the unit using Cam Locks.

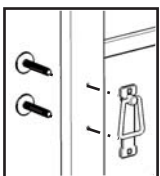
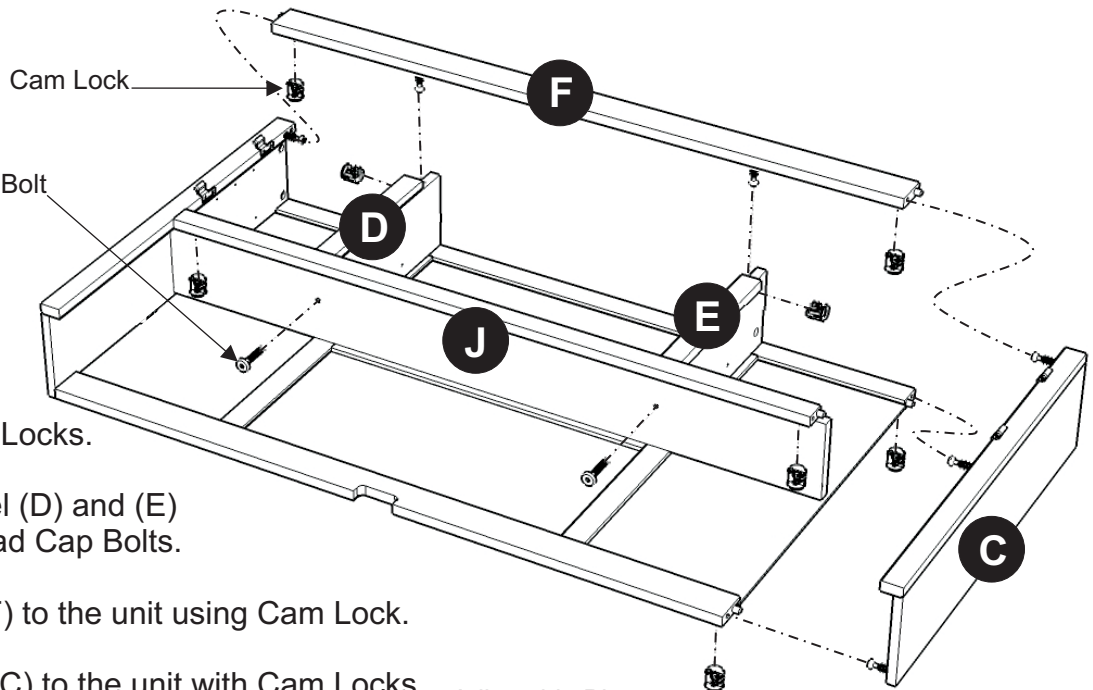
## STEP 3

Attach Shelf (J) to the unit using Cam Locks.

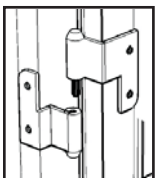
Attach Middle Panel (D) and (E) to shelf (J) with Head Cap Bolts.

Attach Front Rail (F) to the unit using Cam Lock.

Attach Side Panel (C) to the unit with Cam Locks.



(Figure 1)



(Figure 2)

## STEP 4

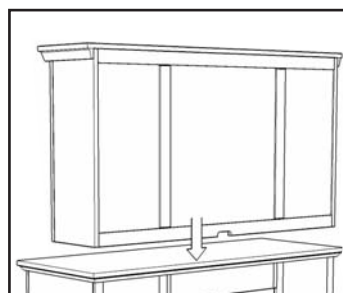
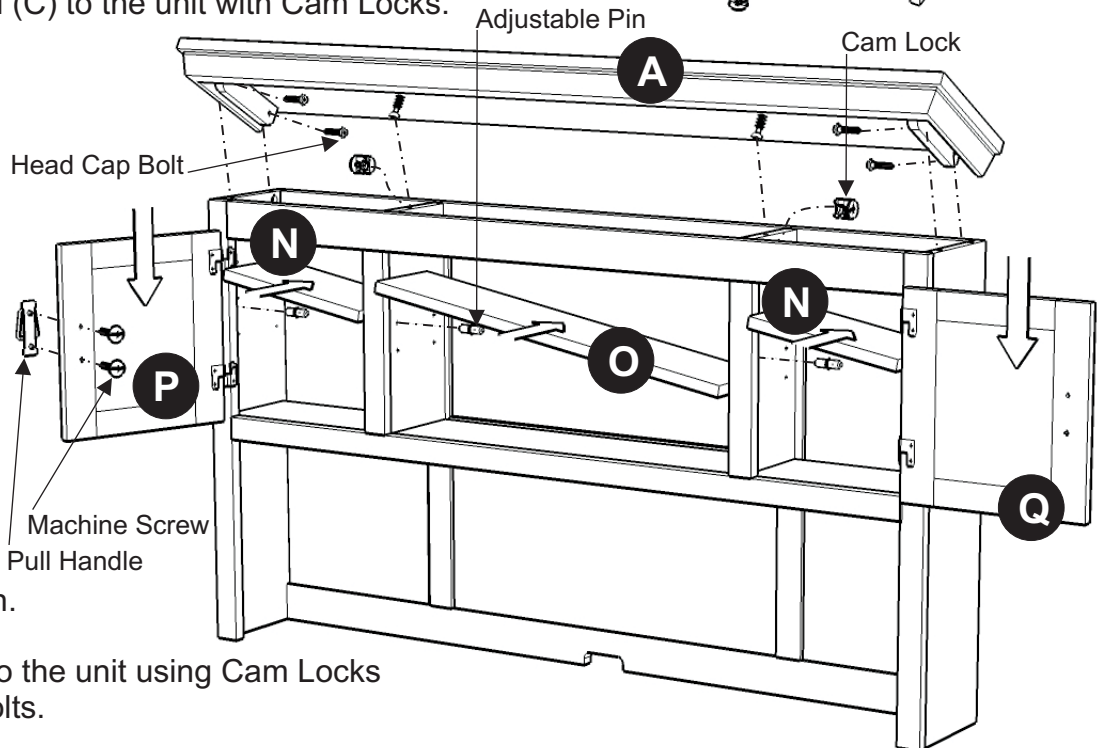
Turn the unit to its upright position.

Place Top (A) onto the unit using Cam Locks and Head Cap Bolts.

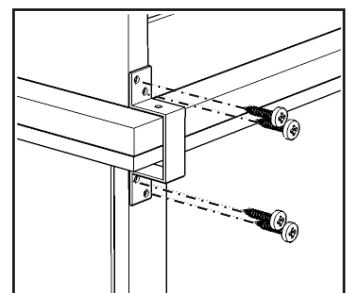
Insert Adjustable Pins into side panels and middle panels at the desired level and Slide Shelf (N) and (O) into place.

Assemble Pull Handles to Door (P) and (Q) with Machine Screws. (see Figure 1)

Attach Door (P) and (Q) to the side panels by sliding the door lift hinges into the side panel lift hinges. (see Figure 2)



(Figure 3)



(Figure 4)

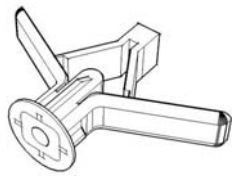
Place the Hutch unit onto the Buffet unit. (see Figure 3)

Attach Steel Plate Connectors on the back of the units by inserting Wood Screws and tighten. (see Figure 4)

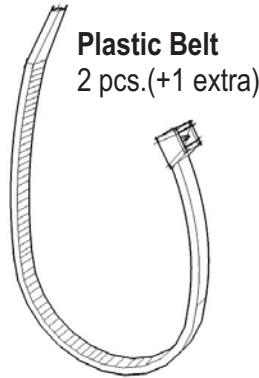
# Attention !

For safety reasons, please follow these additional instructions to prevent the unit from tipping over.

## HARDWARE LIST



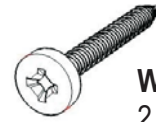
**Anchor**  
2 pcs.(+1 extra)



**Plastic Belt**  
2 pcs.(+1 extra)



**Bracket**  
4 pcs.(+1 extra)



**Wall Screw (long)**  
2 pcs.(+1 extra)



**Wood Screw (short)**  
2 pcs.(+1 extra)

## Assembly Instructions

Place the unit at desired location in room.

Drill two 1/4" holes in wall at the appropriate location.  
Insert the Anchors into the wall holes and attach the Brackets using Wall Screws.

Attach the Brackets at the pre-drilled holes on the top of the unit using Wood Screws.

Use the Plastic Belt to secure the Brackets on the unit to the Brackets on the wall (See figure X).

Put the tie end of the belt into the loop end of the belt and pull until tight.

