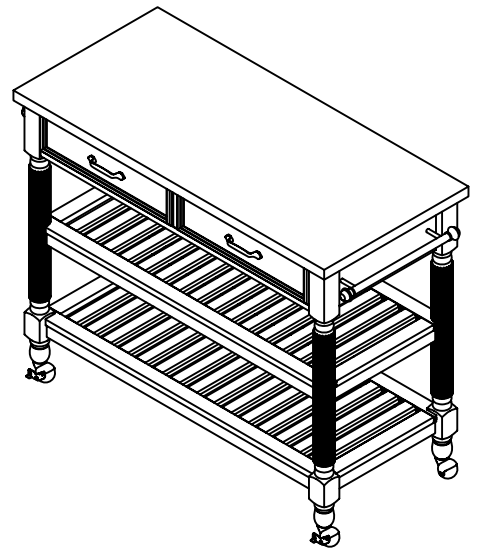


88 5219 95 Traditional Kitchen Cart



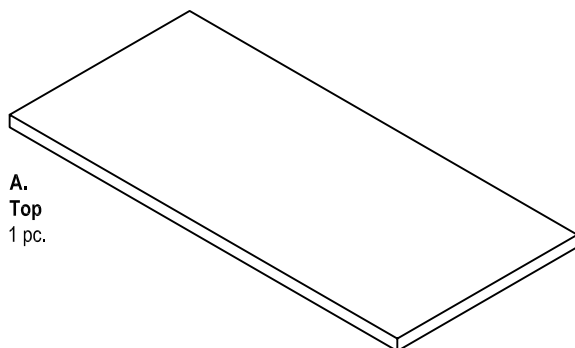
Home
Styles

IMPORTANT NOTE

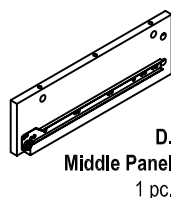
Carefully remove all the parts from the carton and put them individually on a soft cloth to prevent scratches or other damages occurring to the parts.

We have taken great care in the design of this product and request that you carefully and strictly follow our assembly instructions to ensure a completed product as it was designed.

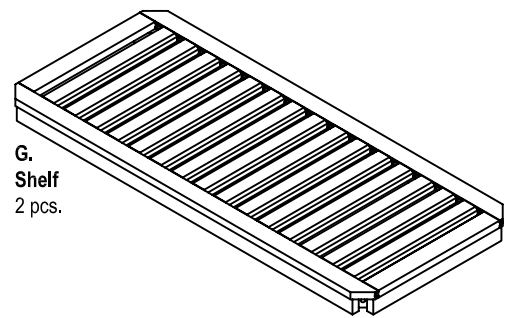
Part List



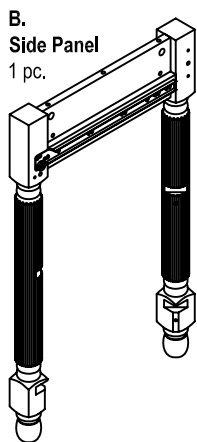
A.
Top
1 pc.



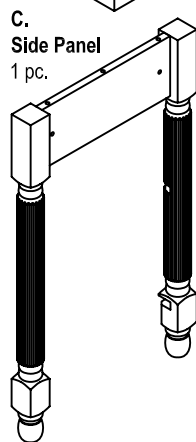
D.
Middle Panel
1 pc.



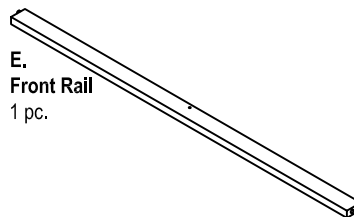
G.
Shelf
2 pcs.



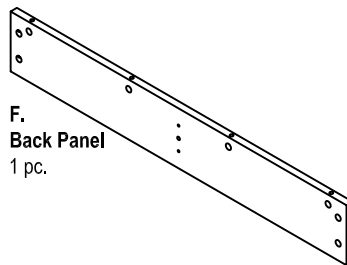
B.
Side Panel
1 pc.



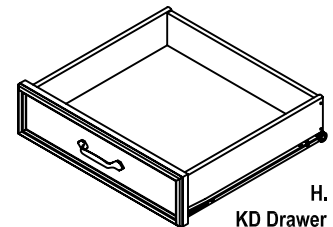
C.
Side Panel
1 pc.



E.
Front Rail
1 pc.



F.
Back Panel
1 pc.



H.
KD Drawer
2 pcs.
*(Knock-Down Construction,
please refer to the last page of
instructions for steps to complete
drawer assembly)*

Hardware List



Hex Wrench
1 pc.



Small Hex Wrench
1 pc.



Cam Lock
18 pcs. (+1 extra)



Cam Lock Screw
18 pcs. (+1 extra)



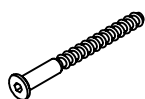
1 1/4" Flat Head Screw
17 pcs. (+1 extra)



3/4" Flat Head Screw
8 pcs. (+1 extra)



Machine Screw
4 pcs.



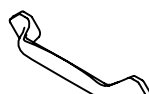
Assembly Screw
8 pcs. (+1 extra)



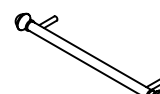
Head Cap Bolt
4 pcs. (+1 extra)



Wooden Dowel
6 pcs. (+1 extra)



Pull Handle
2 pcs.



Handle
2 pcs.



Non-locking Caster
2 pcs.



Locking Caster
2 pcs.

Tools Required For Assembly : Phillips screwdriver

Home Styles Consumer Assistance Line 888-680-7460 and 877-831-0319
servicedesk@homestyles-furniture.com

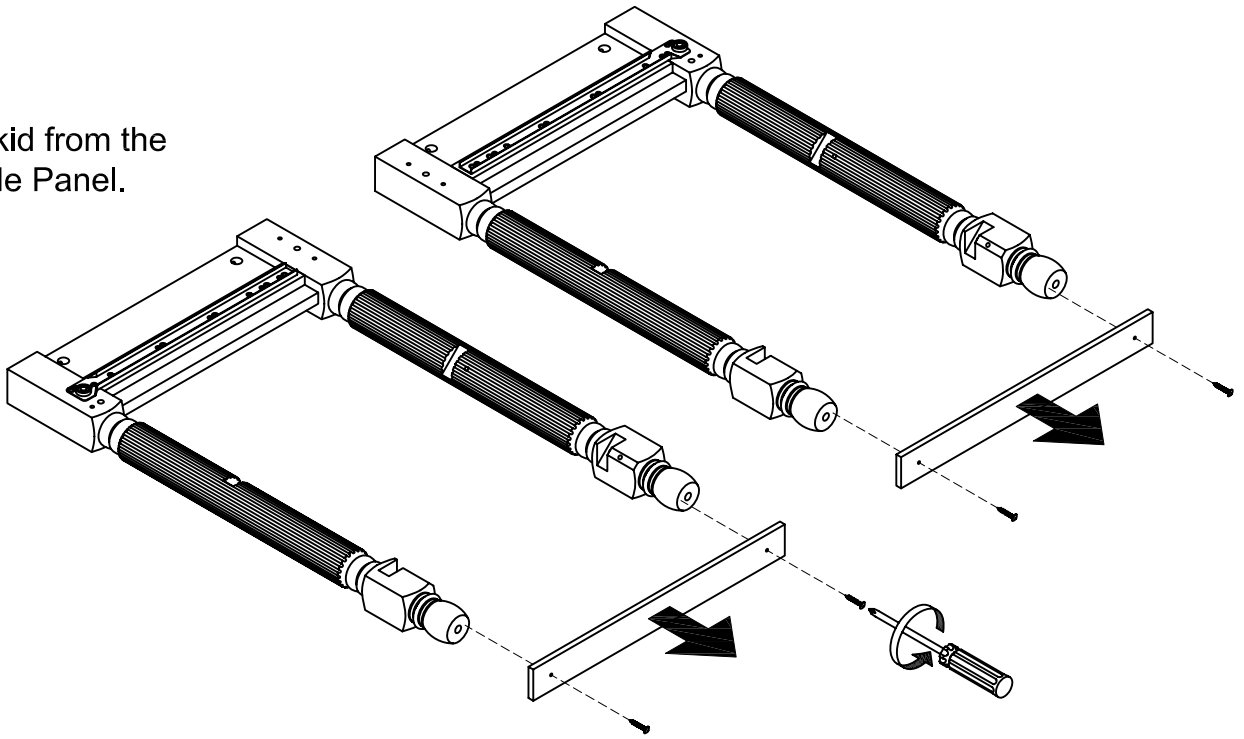
Assembly Instructions 2/7

IMPORTANT

- * Please keep Hex Wrench in a safe place as you may need to tighten up the Head Cap Bolts in the future.
- * Do not tighten up all the screws until each part is properly assembled.
- * Use a soft cloth between these parts and the floor.

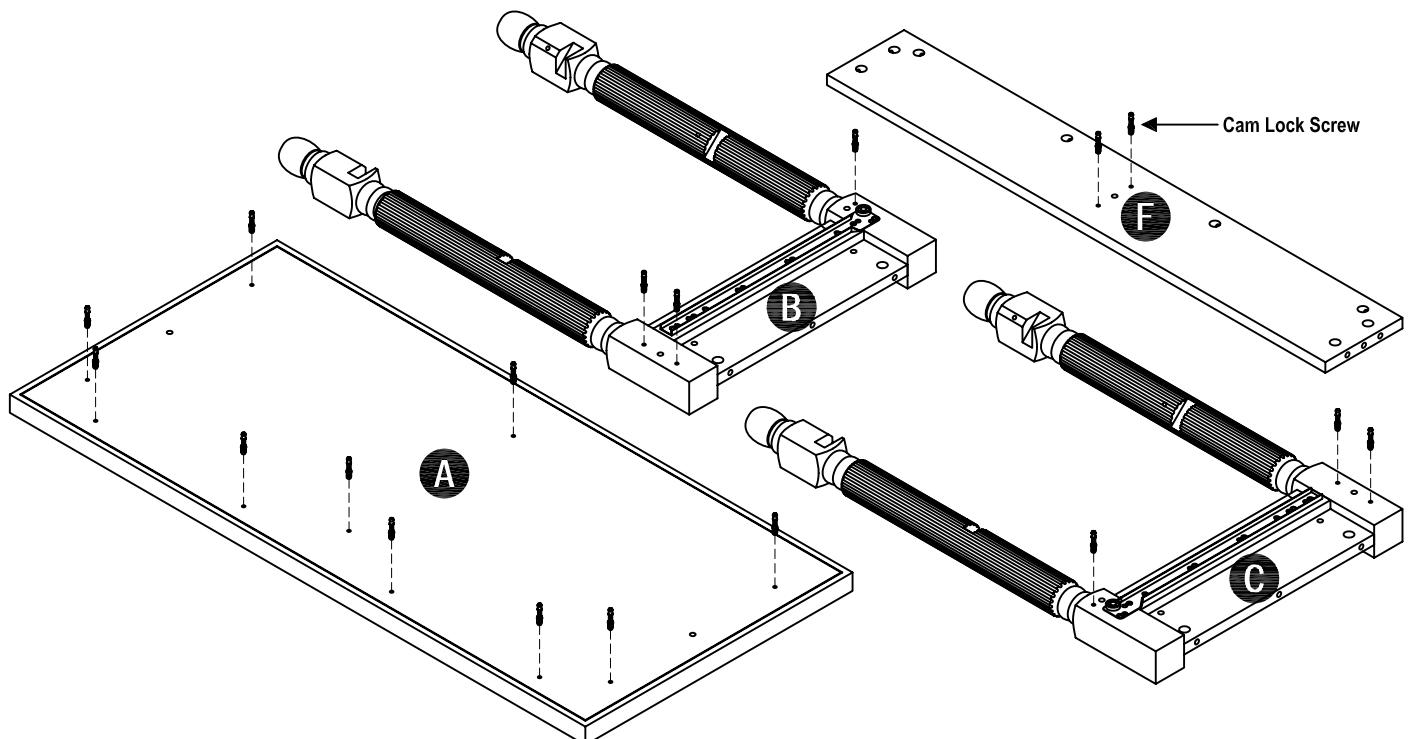
STEP 1

Remove Skid from the Legs of Side Panel.



STEP 2

Insert Cam Lock Screws into the pre-drilled holes of Top (A), Side Panel (B) and (C) and Back Panel (F).



Assembly Instructions 3/7

STEP 3

Attach Back Panel (F) to Middle Panel (D) using Cam Locks and Wooden Dowel. (See figure 1)

Attach Front Rail (E) to Middle Panel (D) using 1 1/4" Flat Head Screw.

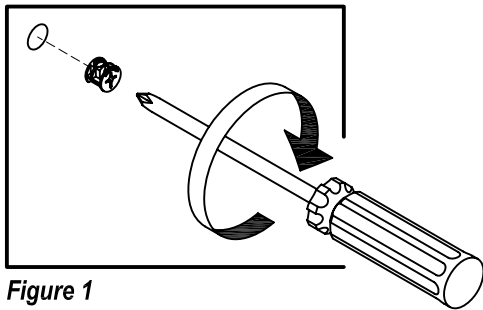
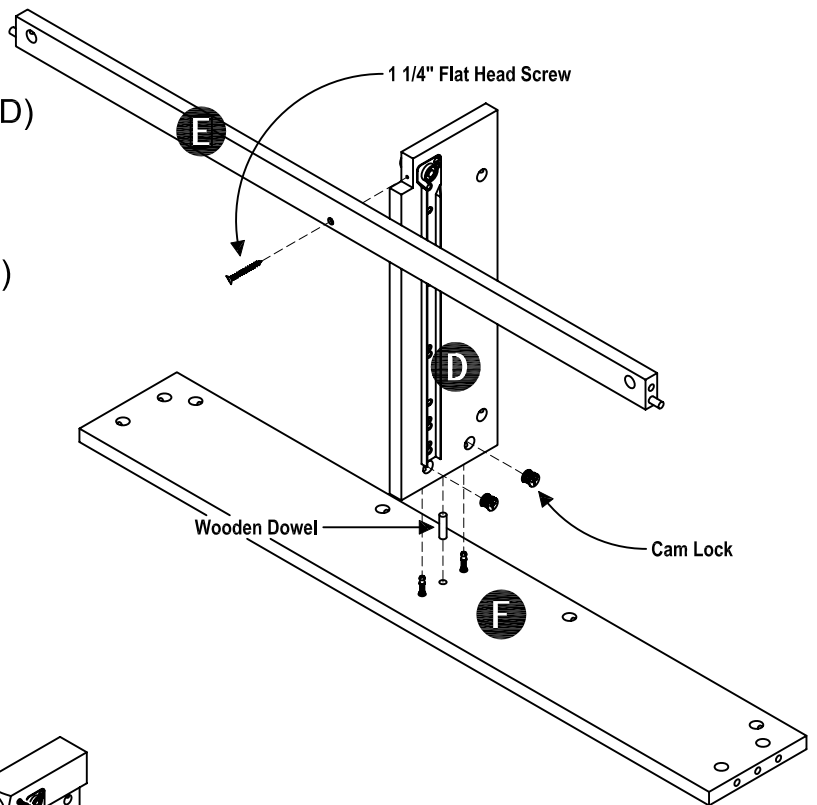


Figure 1

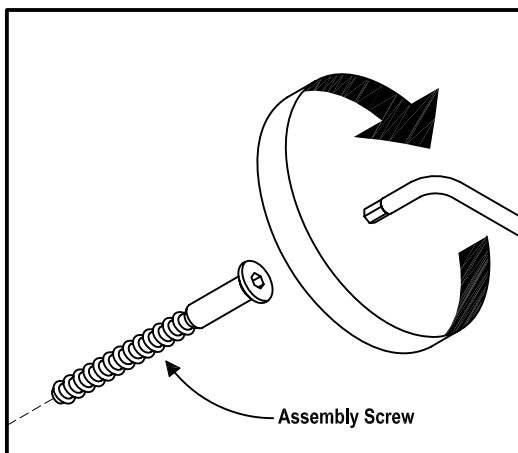
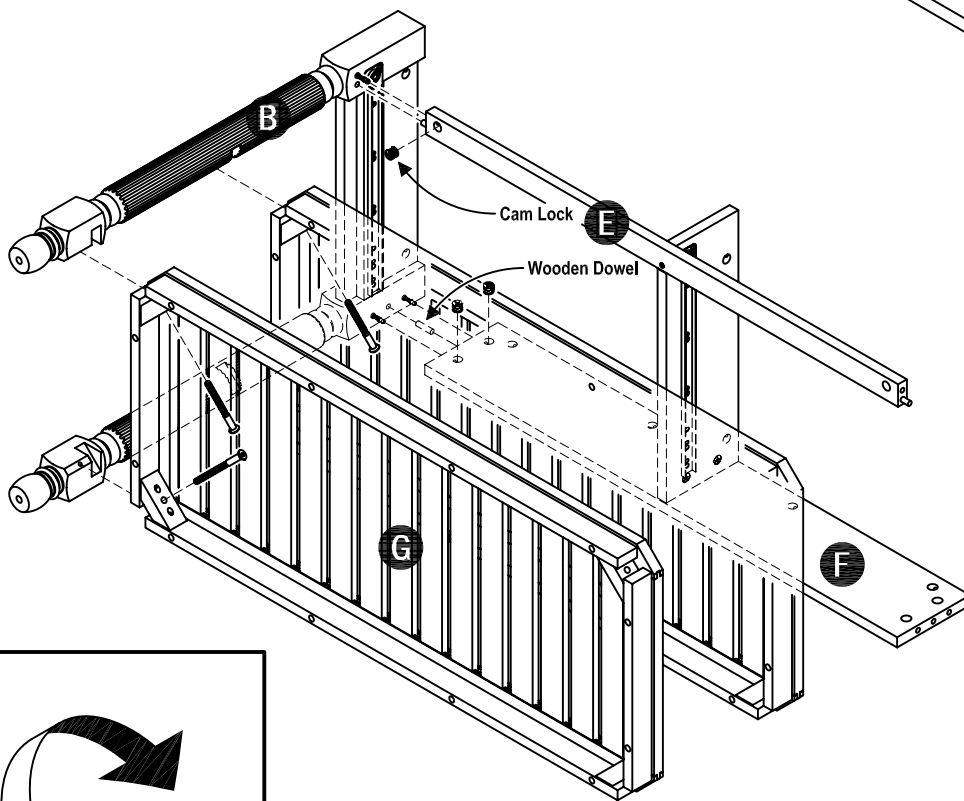


Figure 2

STEP 4

Attach Front Rail (E) and Back Panel (F) to Side Panel (B) using Cam Locks and Wooden Dowels.

Attach Shelf (G) to Side Panel (B) Using Assembly Screw.

Tighten Assembly Screw using Hex Wrench. (See figure 2)

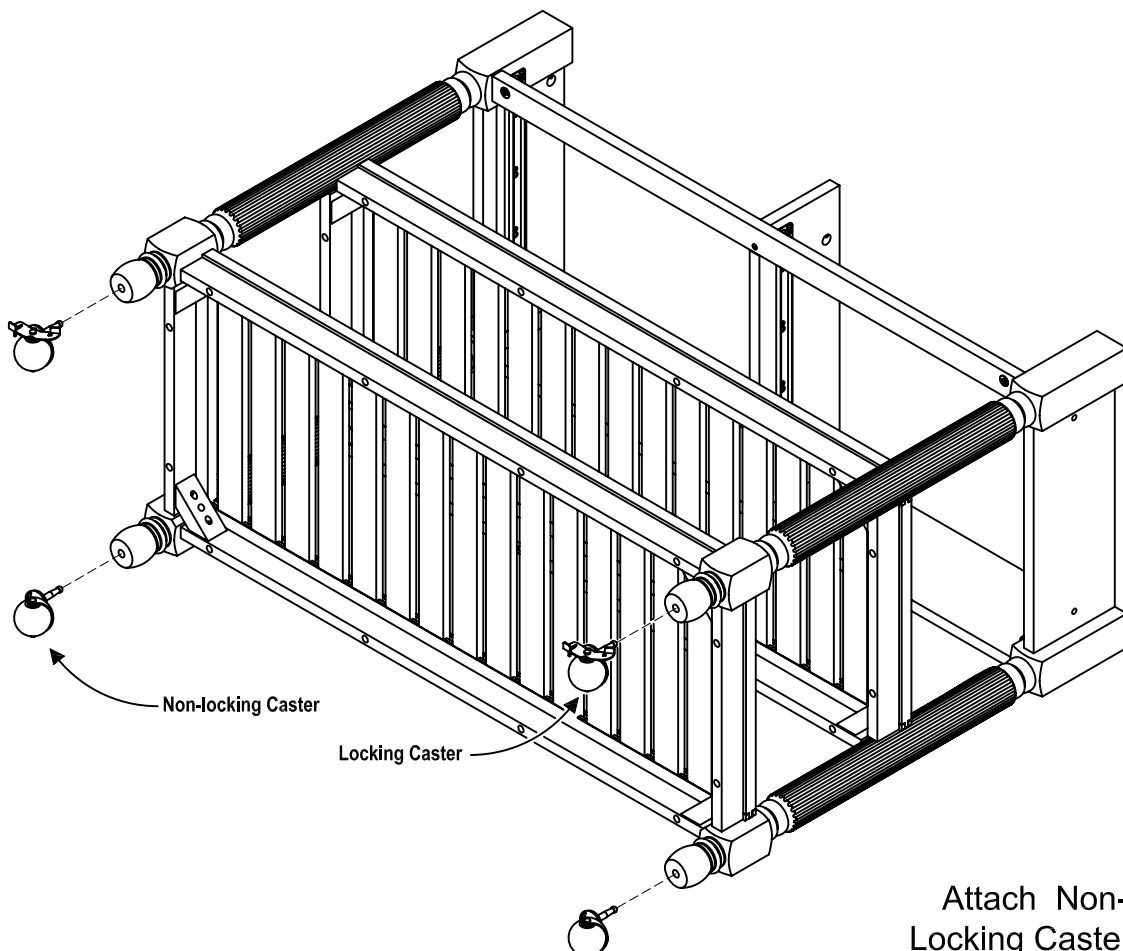
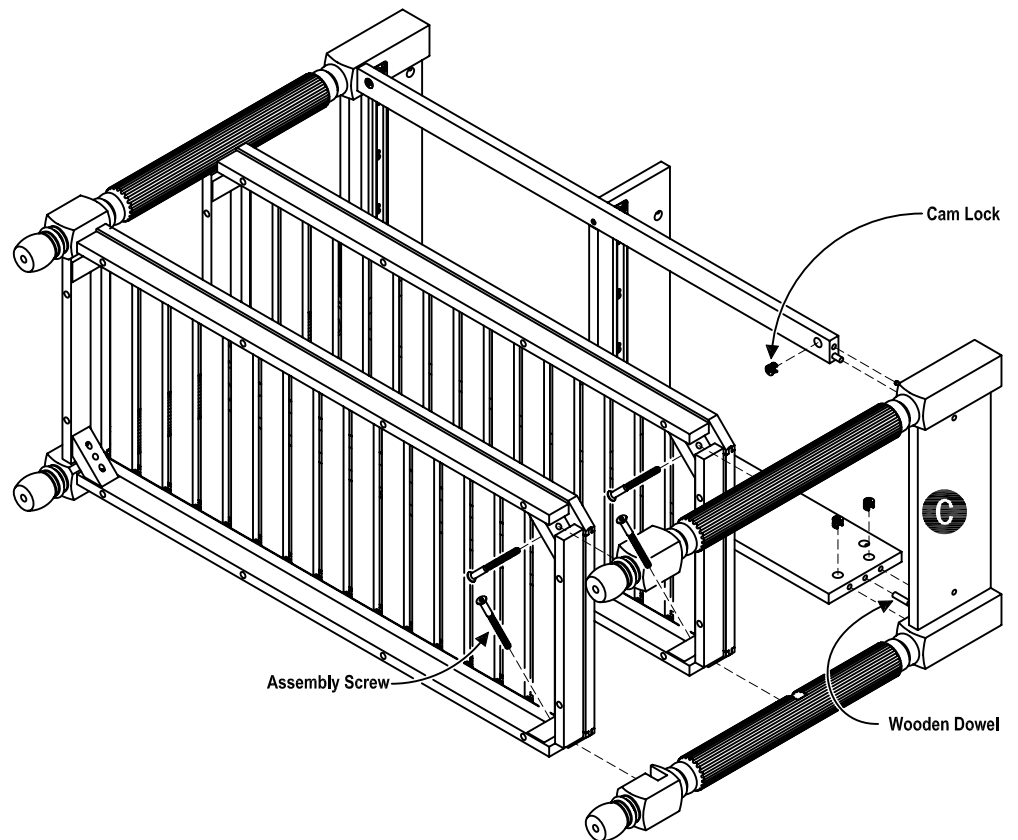
Assembly Instructions 4/7

STEP 5

Attach Front Rail (E) and Back Panel (F) to Side Panel (C) using Cam Locks and Wooden Dowels.

Attach Shelf (G) to Side Panel (C) Using Assembly Screw.

Tighten Assembly Screw using Hex Wrench.



STEP 6

Attach Non-locking Caster and Locking Caster to the legs of unit.

Assembly Instructions 5/7

STEP 7

Turn the unit to its' upright position.

Attach Handles to unit with Head Cap Bolts.

Tighten bolts using Hex Wrench.
(See figure 3)

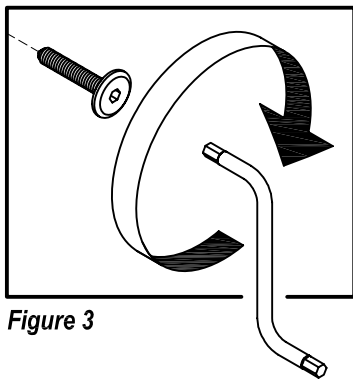
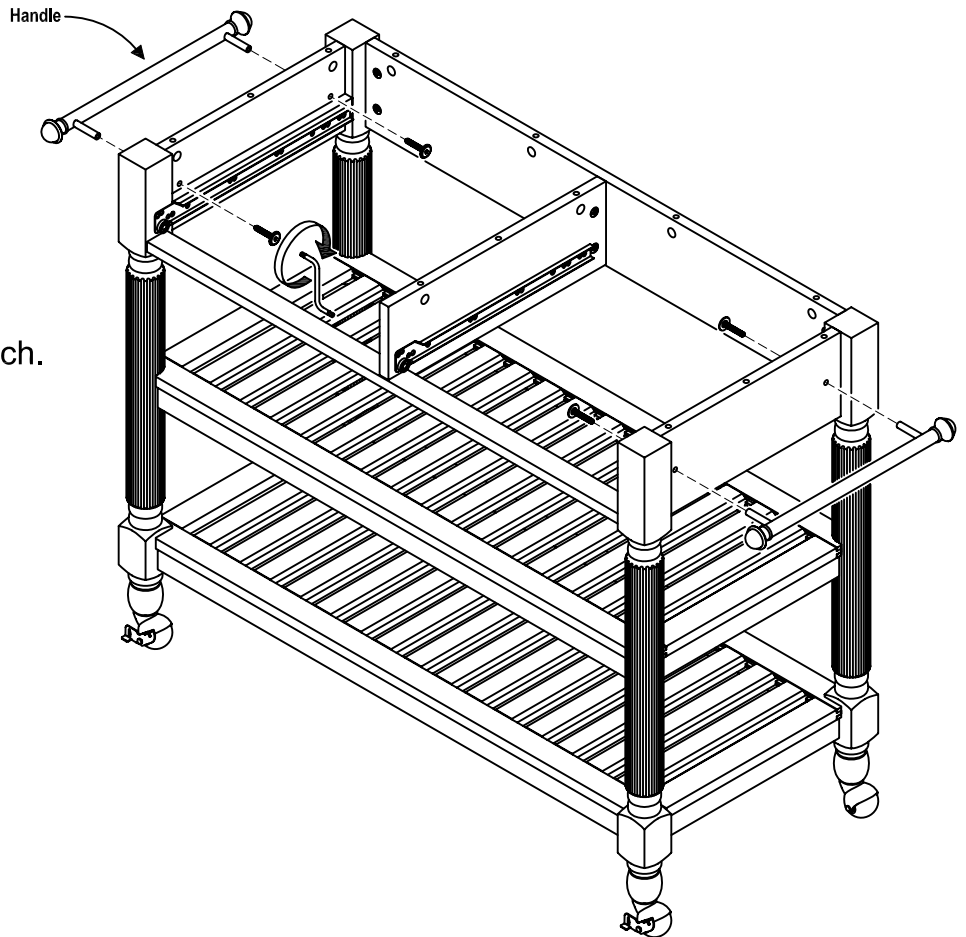
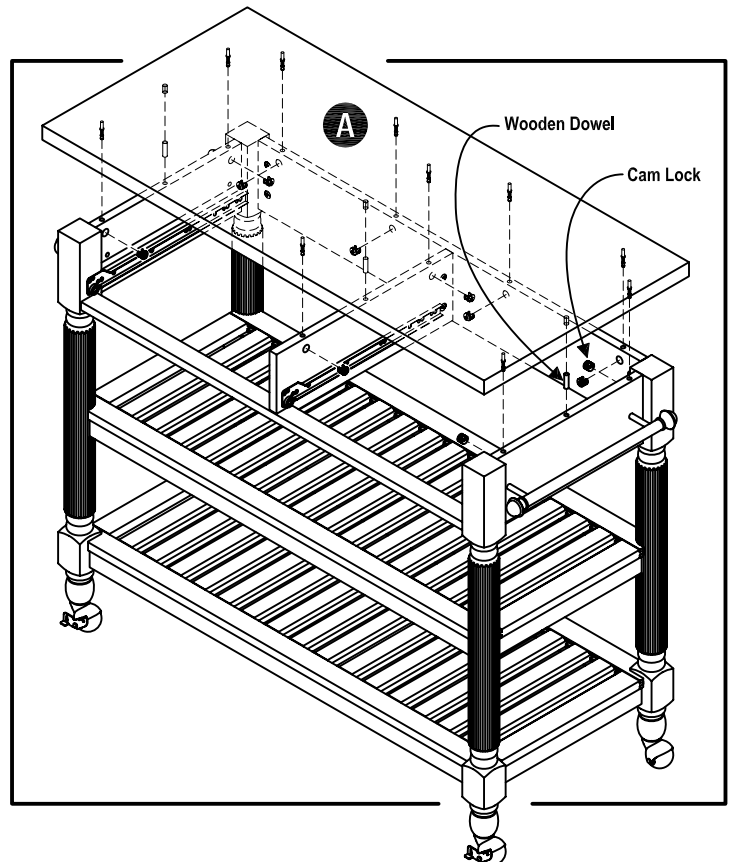
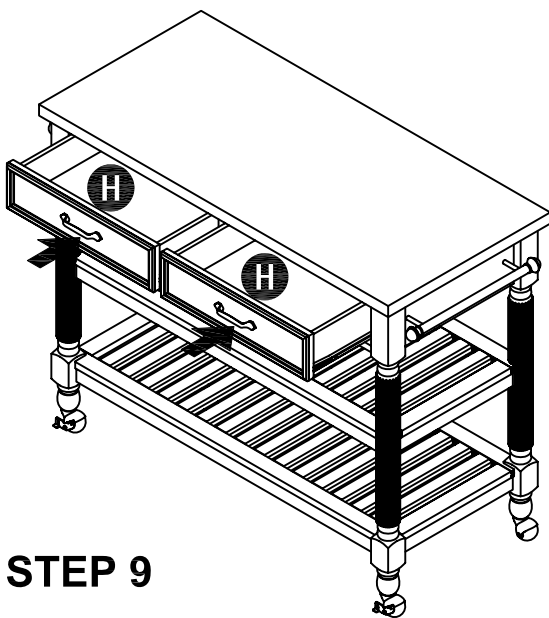


Figure 3

STEP 8

Turn the unit to its' upright position.

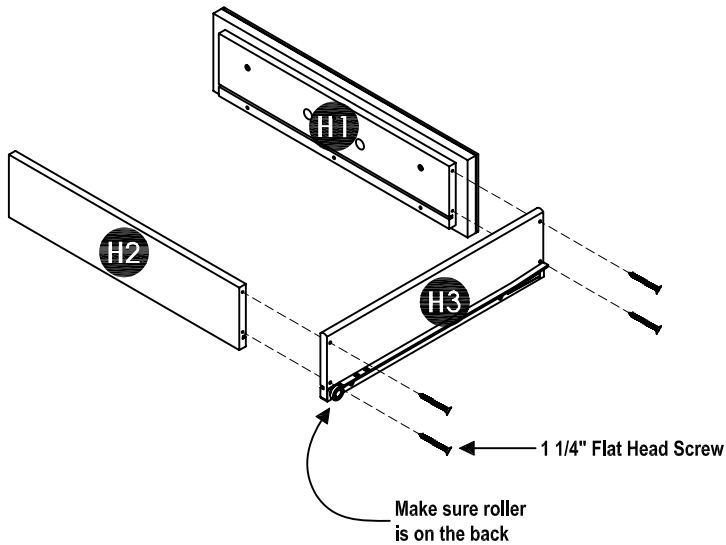
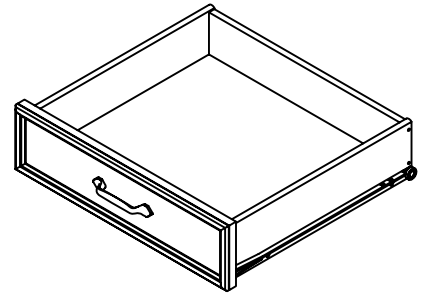
Attach Top (A) to unit using Cam Locks and Wooden Dowels.



STEP 9

Slide Drawers (H) into place.

Drawer (H)



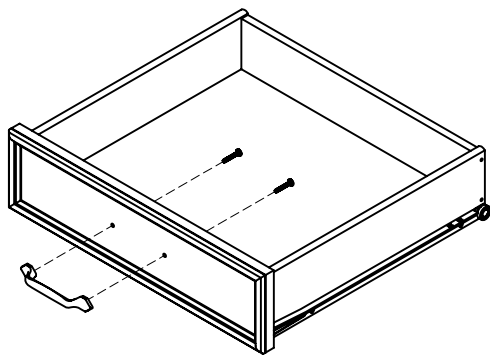
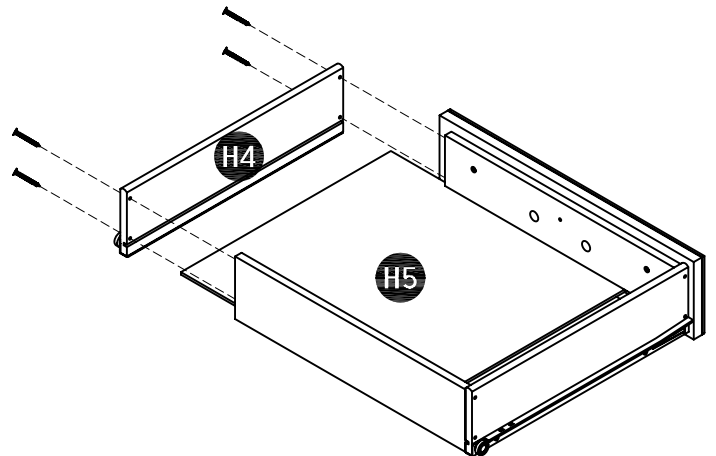
STEP 1

Attach Side Part (H3) to Front Part (H1) and Back Part (H2) using a Phillips screwdriver and 1 1/4" Flat Head Screws.

STEP 2

Insert Base Part (H5) into the groove.

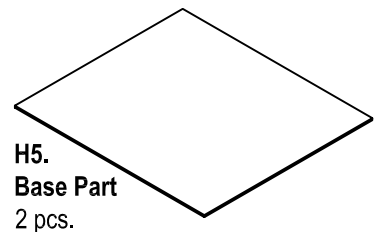
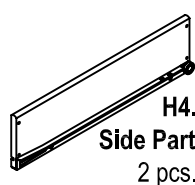
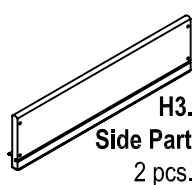
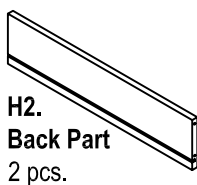
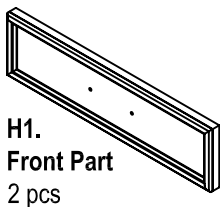
Attach Side Part (H4) to Front Part (H1) and Back Part (H2) using a Phillips screwdriver and 1 1/4" Flat Head Screws.



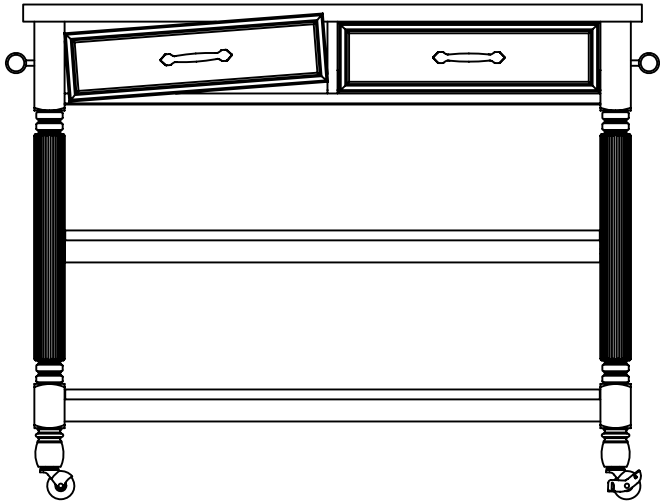
STEP 3

Attach Pull Handles with Machine Screws.

Part List



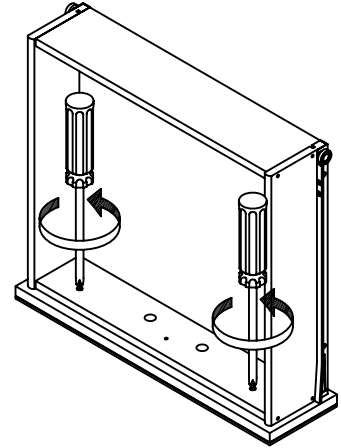
Assembly Instructions 7/7



I. IF A DRAWER DOES NOT ALIGN

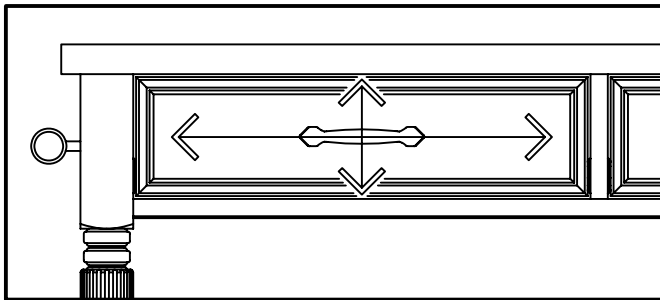
STEP 1

Loosen slightly the upper screws.

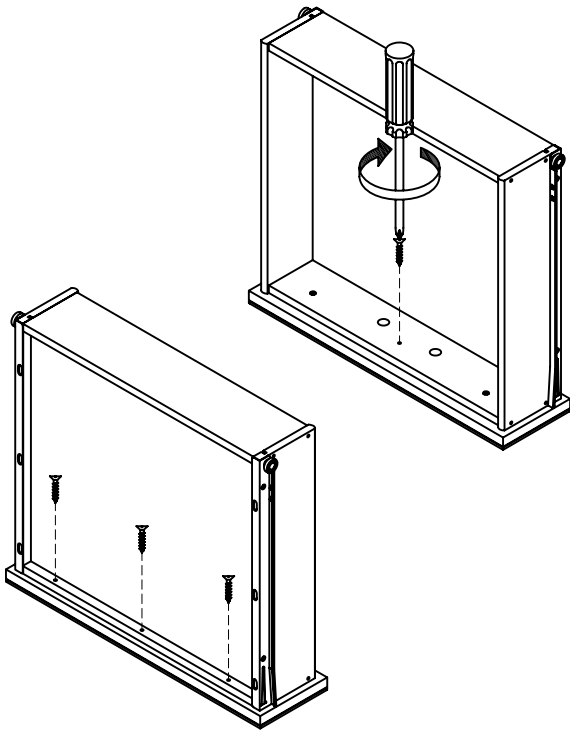


STEP 2

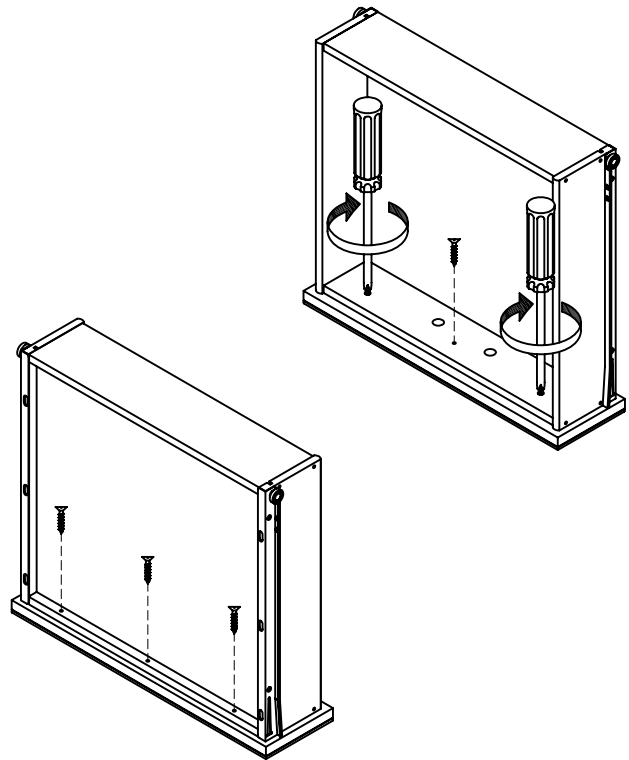
Insert the drawer into the main body, then adjust the drawer front panel left or right and up or down, until the drawer gaps look proportional.



II. IF A DRAWER ALREADY ALIGNS



Pull out drawer slowly. Lock the drawer front panel into position with 3/4" Flat Head Screws.



STEP 3

Pull the drawer open slowly and tighten the upper screws. Make sure the front panel does not move and lock the drawer front panel into position with 3/4" Flat Head Screws.

VERY IMPORTANT !!

CARE INSTRUCTIONS

NEVER

USE GLASS CLEANERS ON FINISHED FURNITURE. AMMONIA WILL CHEMICALLY ATTACK THE LACQUER.

NEVER

ALLOW LIQUIDS OF ANY KIND TO REMAIN ON THE FURNITURE. ABSORPTION CAUSES WOOD TO WARP AND SPLIT AND FINISHES TO DELAMINATE.

DO NOT WRITE DIRECTLY ON SURFACE.



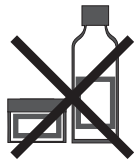
PREVENT MARKING

DO NOT PLACE IN DIRECT SUNLIGHT.



PREVENT FADING

DO NOT USE COMMERCIAL WAXES AND POLISHES.



PREVENT YELLOWING

DO NOT PLACE HOT OBJECTS ON SURFACE.



PREVENT FINISH DAMAGE

DO NOT USE RUBBER BASED PLACE MATS.



PREVENT DISCOLORING

TO CLEAN

USE A SOFT CLOTH MOISTENED IN LEMON OIL POLISH OR LUKEWARM SOAP AND WATER, THEN BUFF WITH A DRY CLEAN CLOTH.

