

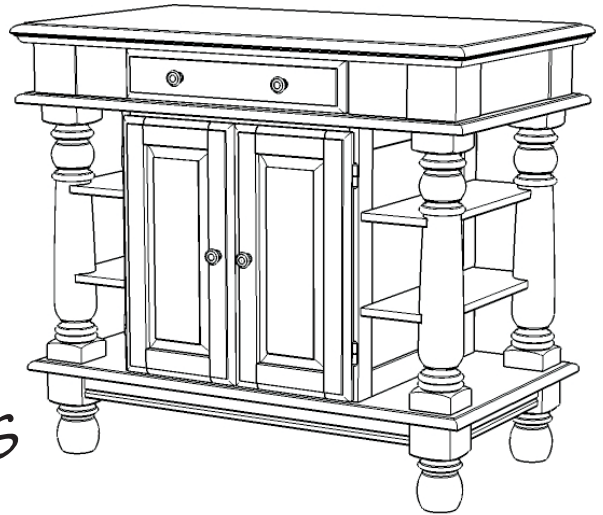
88 5094 941 Kitchen Island

IMPORTANT NOTE

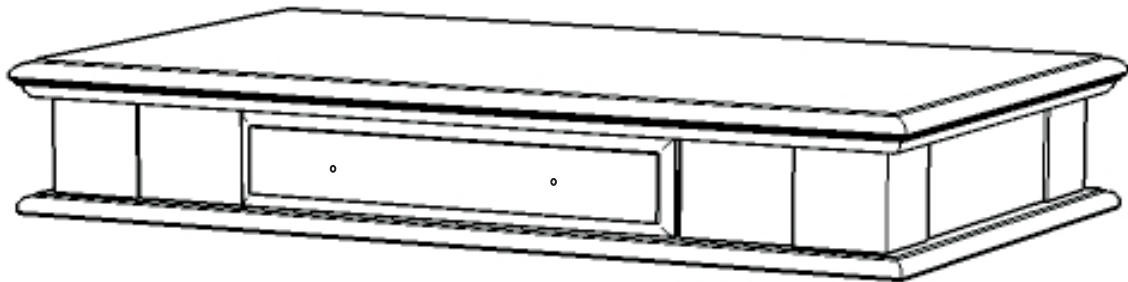
Carefully remove all the parts from the carton and put them individually on a soft cloth to prevent scratches or other damages occurring to the parts.

We have taken great care in the design of this product and request that you carefully and strictly follow our assembly instructions to ensure a completed product as it was designed.

*Home
Styles*



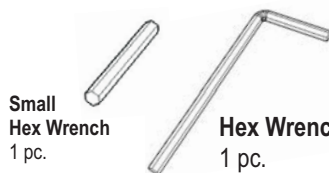
Part List



F.
Foot
4 pcs.

A.
Top
1 pc.

Hardware List



Small
Hex Wrench
1 pc.

Hex Wrench
1 pc.



Flat Washer
4 pcs.(+1 extra)



Adjustable Pin
4 pcs. (+2 extra)



Cam Lock
4 pcs.(+1 extra)



Pull Handle
8 pcs.



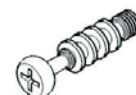
Head Cap Bolt
16 pcs. (+1 extra)



Head Cap Bolt (long)
4 pcs. (+1 extra)



Spring Washer
4 pcs.(+1 extra)



Cam Lock Screw
4 pcs.(+1 extra)



Machine Screw
8 pcs.

For assembly see instructions in carton 88 5094 942

Tools required for assembly : Phillips screwdriver

Tools recommended for assembly :Level

Home Styles Consumer Assistance Line 888-680-7460 and 877-831-0319

servicedesk@homestyles-furniture.com

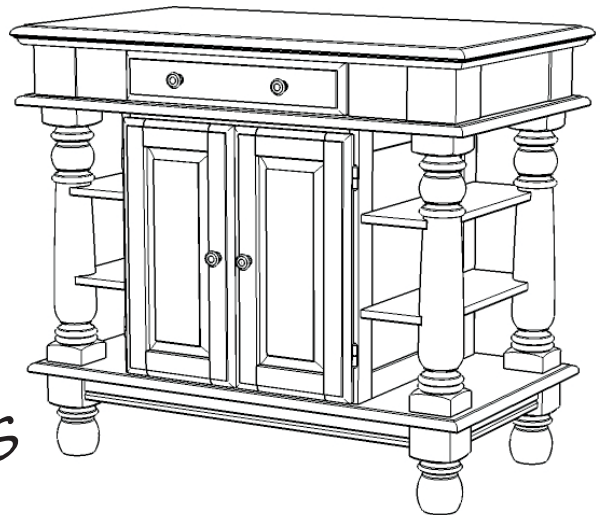
88 5094 942 Kitchen Island

IMPORTANT NOTE

Carefully remove all the parts from the carton and put them individually on a soft cloth to prevent scratches or other damages occurring to the parts.

We have taken great care in the design of this product and request that you carefully and strictly follow our assembly instructions to ensure a completed product as it was designed.

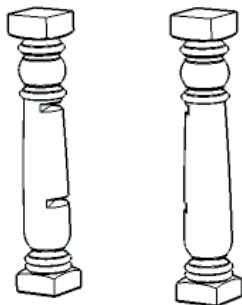
*Home
Styles*



Part List

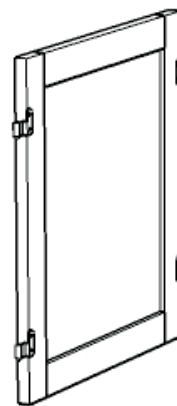


**B.
Rail**
2 pcs.



**D.
Leg**
2 pcs.

**E.
Leg**
2 pcs.



**C.
Side Panel**
2 pcs.



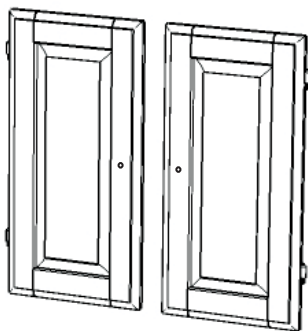
**G1.
Shelf**
2 pcs.



**G2.
Shelf**
2 pcs.

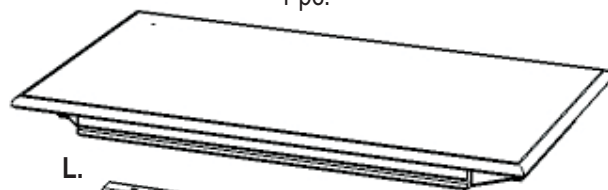


**J.
Shelf**
1 pc.



**H.
Door**
2 pcs.

**I.
Door**
2 pcs.



**K.
Base**
1 pc.



**L.
Stretcher**
2 pcs.

Also need the following from carton 88 5094 941 :

Part List in carton 88 5094 941

Top (A)	1 pc.
Foot (F)	4 pcs.

Hardware List in carton 88 5094 941

Hex Wrench	1 pc.
Small Hex Wrench	1 pc.
Cam Lock Screw	5 pcs.
Cam Lock	5 pcs.
Head Cap Bolt	17 pcs.
Head Cap Bolt (long)	5 pcs.
Spring Washer	5 pcs.
Flat Washer	5 pcs.
Adjustable Pin	6 pcs.
Pull Handle	8 pcs.
Machine Screw	8 pcs.

Tools required for assembly : **Phillips** screwdriver

Tools recommended for assembly :Level

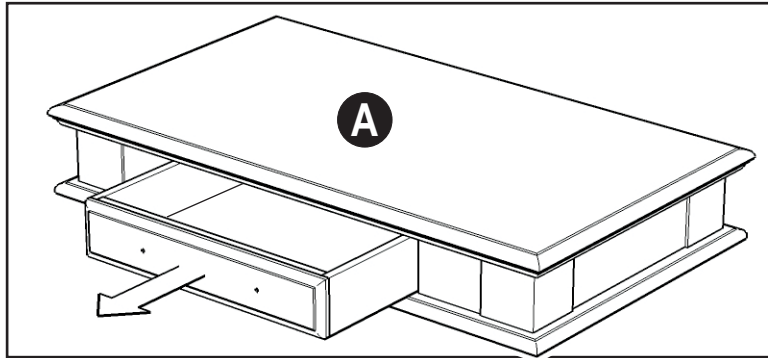
Home Styles Consumer Assistance Line 888-680-7460 and 877-831-0319

servicedesk@homestyles-furniture.com

Assembly Instructions 3/5

IMPORTANT

- * Do not tighten up all the screws until each part is properly assembled.
- * You should keep Hex Wrench in a safe place as you may need to tighten up the Head Cap Bolts in the future.
- * After assembly item must be level to work properly. Use the included adjustable levelers to level.



STEP 1

Remove the Drawer from Top (A).

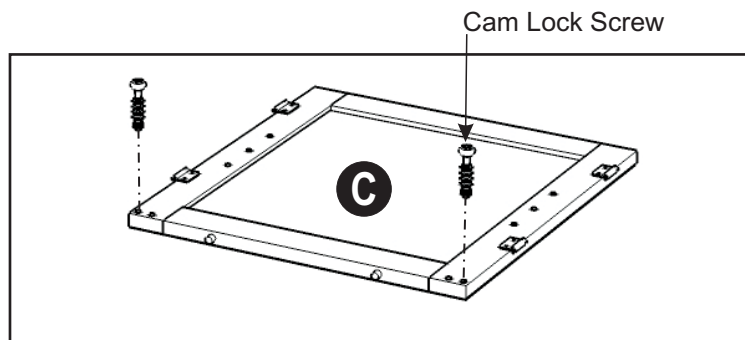


Figure 1

STEP 2

Put Cam Lock Screws into the pre-drilled holes of Side Panels (C) and tighten. (see Figure 1)

Assemble Side Panel (C) and Rail (B) using Cam Lock. (see Figure 2)

Place the unit onto Top (A).

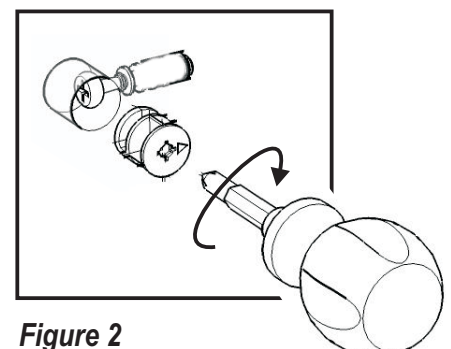
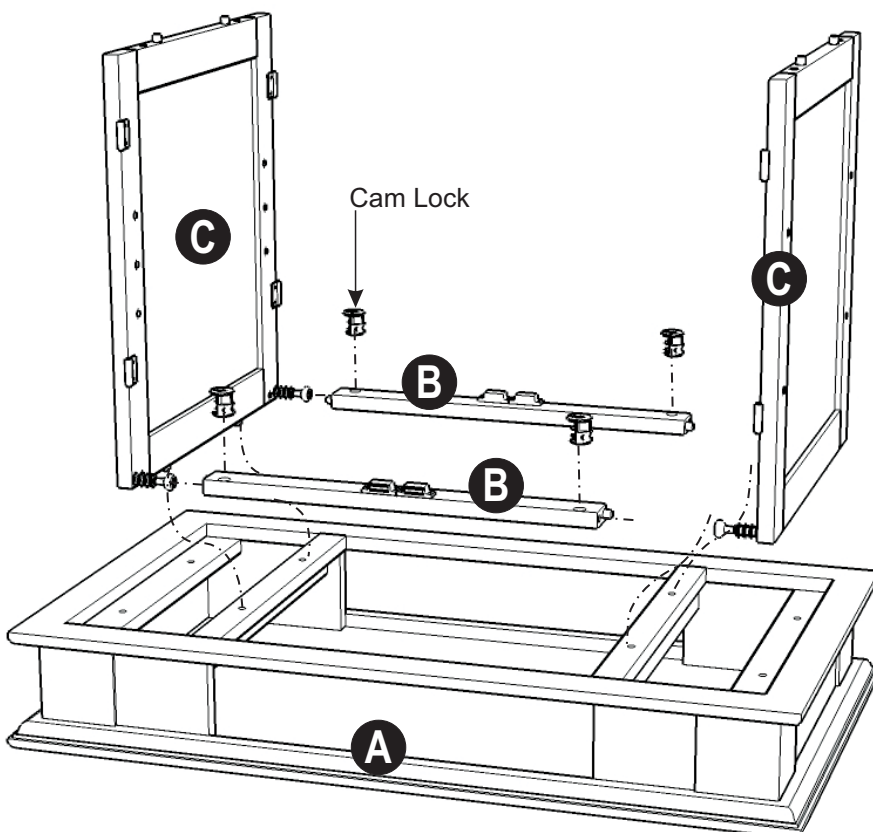


Figure 2

STEP 3

Attach Rail (L) to Leg (D) and (E) with Head Cap Bolts. (see Figure 3)

Attach Shelf (G1) and (G2) to unit at the pre-drill holes of side panels, then, attach the assembled legs to unit with Head Cap Bolts.

Head Cap Bolt

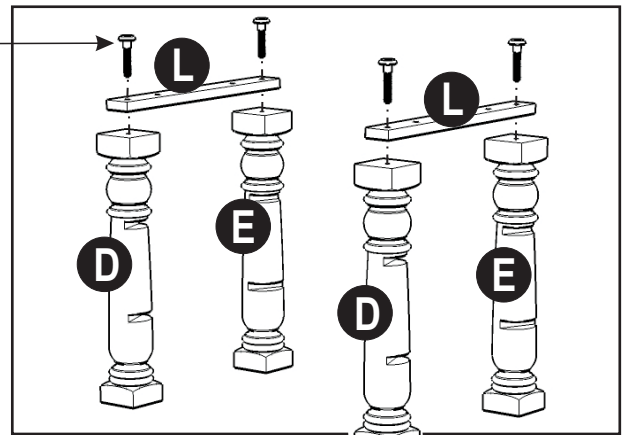
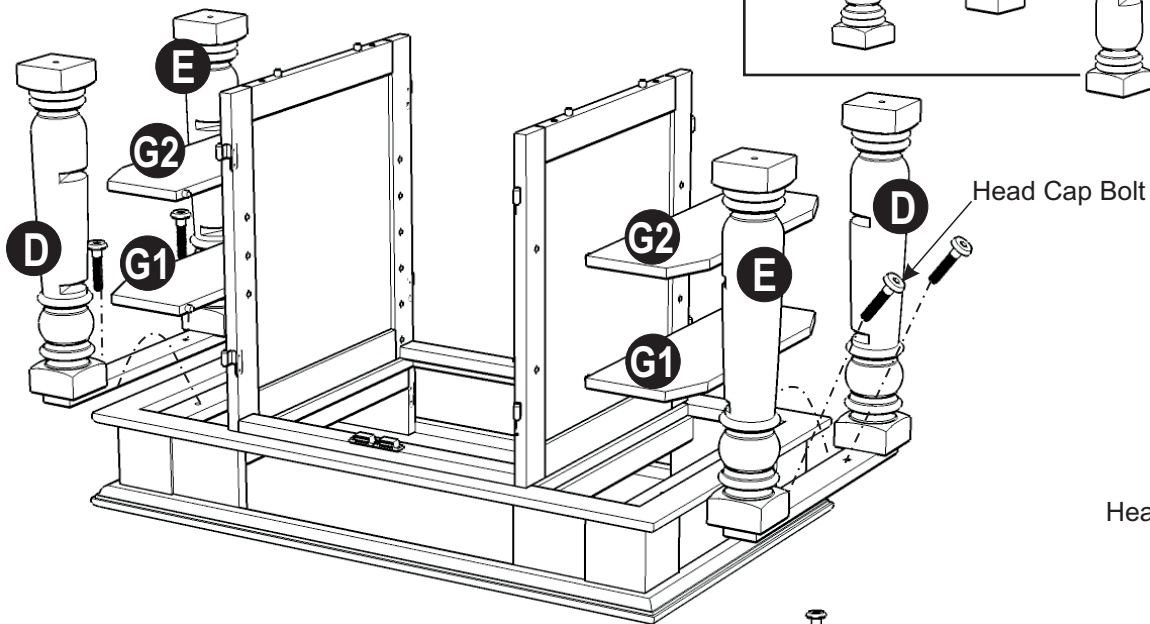


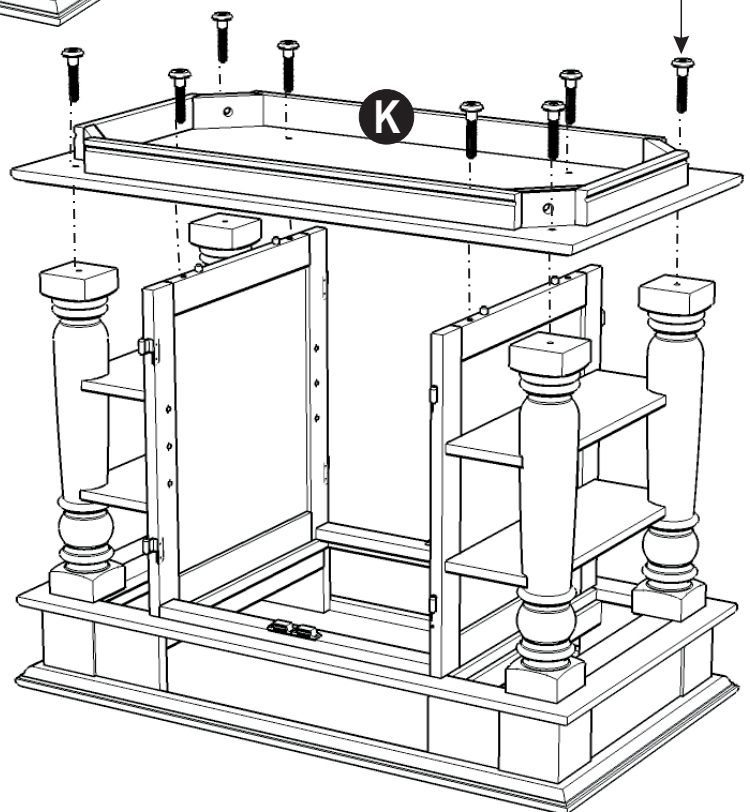
Figure 3



Head Cap Bolt

STEP 4

Attach Base (K) to unit with Head Cap Bolts.



STEP 5

Attach Feet (F) to Base (K) with Head Cap Bolts, Spring Washers and Flat Washers. (see Figure 4)

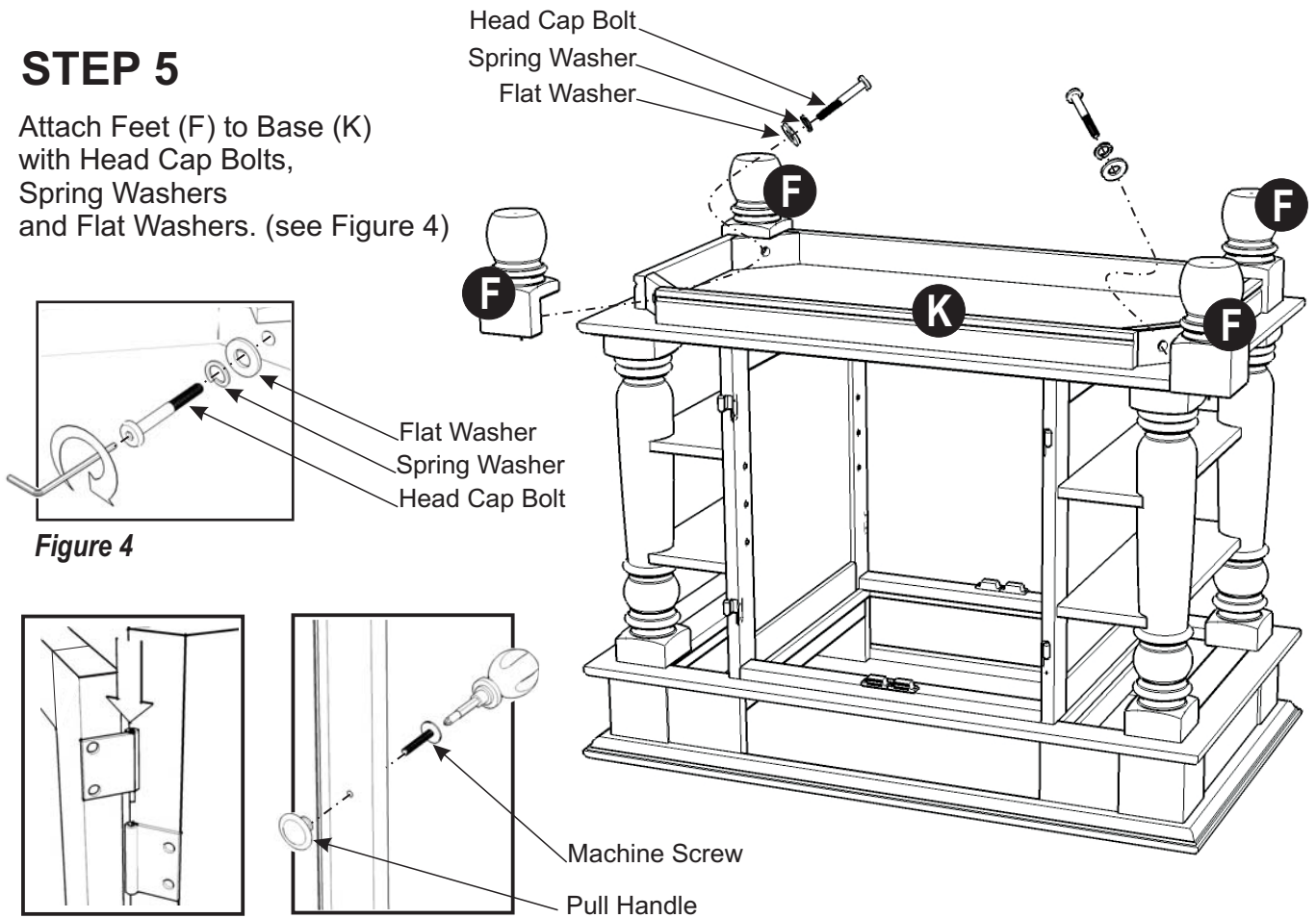


Figure 4

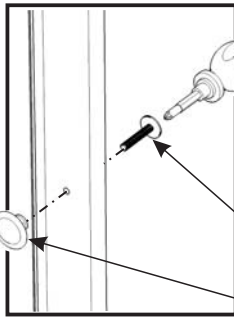
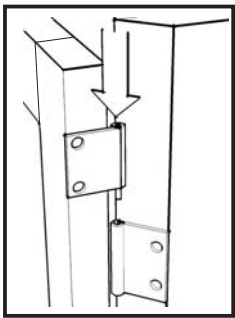


Figure 5

STEP 6

Attach Doors (H) and (I) by sliding the door lift hinges into the side panel lift hinges. (see Figure 5)

Assemble Pull Handles to Doors (H), (I) and Drawer with Machine Screws. (see Figure 6)

Slide Drawer into place.

Insert Adjustable Pins into side panels at the desired level.

Place Shelf (J) into position.

To level the unit, adjust the adjustable levelers on the bottom of unit. (see Figure 7)

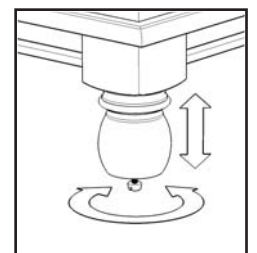
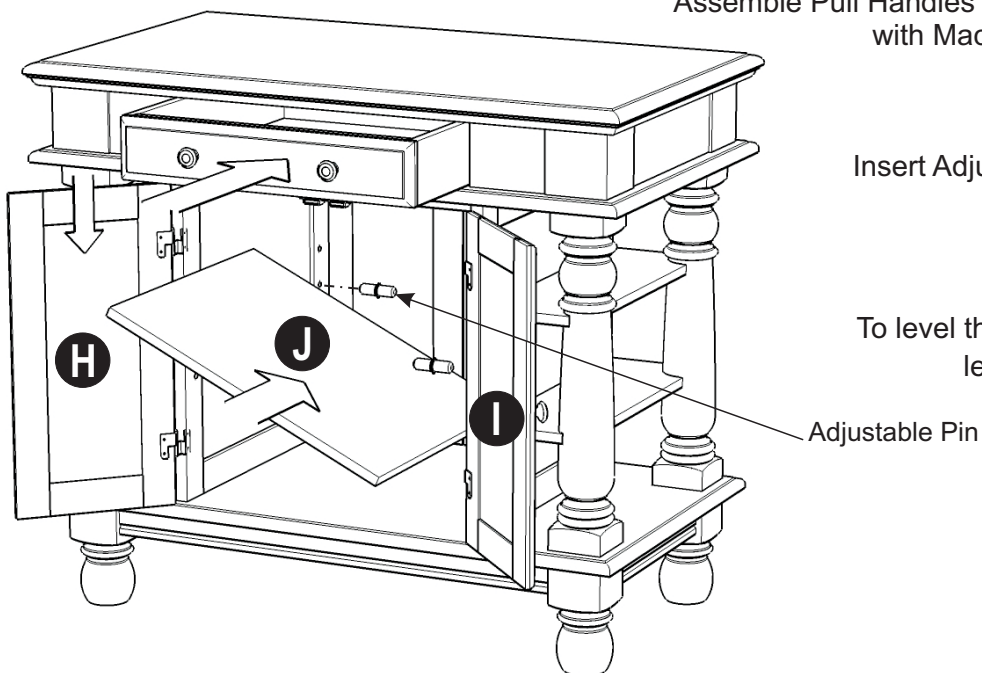


Figure 7