

88 5051 80

St. Ives

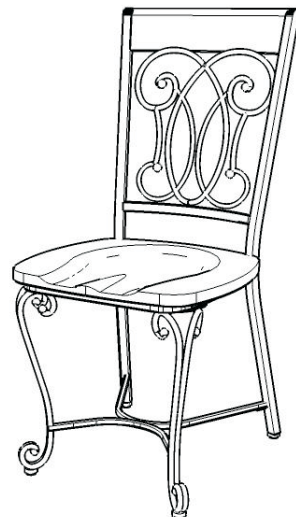
Metal & Wood Chair

IMPORTANT NOTE

Carefully remove all the parts from the carton and put them individually on a soft cloth to prevent scratches or other damages occurring to the parts.

We have taken great care in the design of this product and request that you carefully and strictly follow our assembly instructions to ensure a completed product as it was designed.

Home Styles



Part List



A.
Seat
1 pc.



B.
Seat Frame
1 pc.



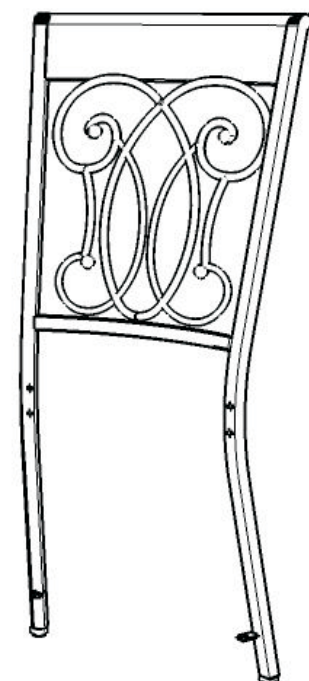
C.
Leg
1 pc.



D.
Leg
1 pc.



E.
Stretcher
1 pc.



F.
Back Frame
1 pc

Hardware List



Hex Wrench
1 pc.



Small Hex Wrench
1 pc.



Head Cap Bolt (short)
4 pcs. (+1 extra)



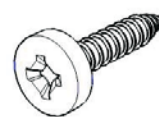
Head Cap Bolt (long)
8 pcs. (+1 extra)



Spring Washer
12 pcs. (+1 extra)



Flat Washer
12 pcs. (+1 extra)



Wood Screw
6 pcs. (+1 extra)

Tools required for assembly : Phillips screwdriver

Tools recommended for assembly : Level

Home Styles Consumer Assistance Line 888-680-7460 and 877-831-0319
servicedesk@homestyles-furniture.com

Assembly Instructions

IMPORTANT

* Do not tighten up all the screws until each part is properly assembled.

* You should keep Hex Wrench in a safe place as you may need to tighten up the Head Cap Bolts in the future.

* After assembly, item must be level to work properly. Use the included adjustable levelers to level.

STEP 1

Attach Seat Frame (B) to Back Frame (F) with Head Cap Bolts (long), Spring Washers and Flat Washers. (See figure 1)

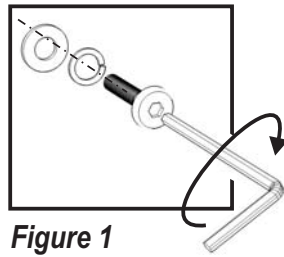
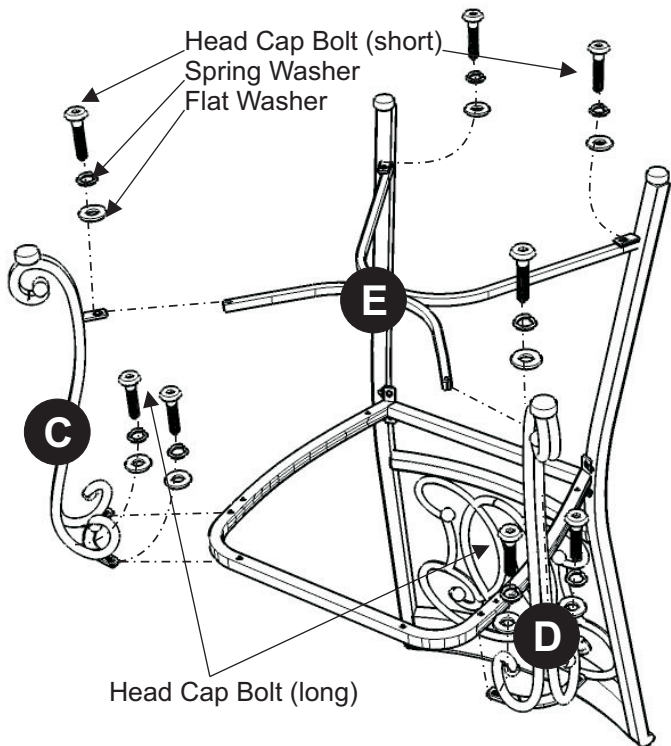
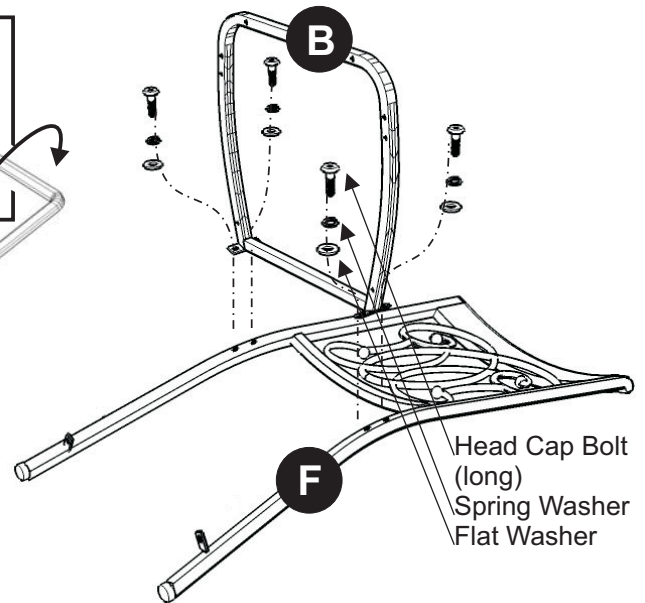


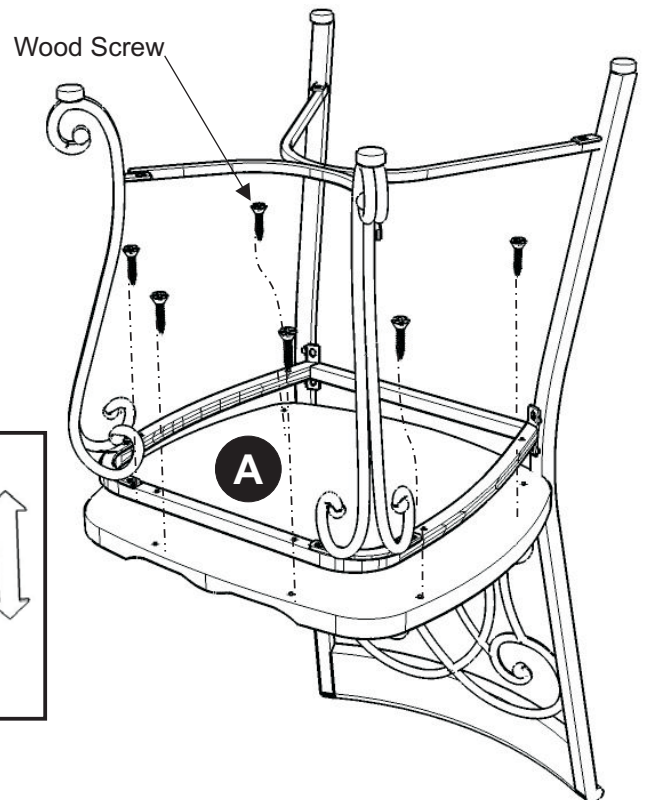
Figure 1



STEP 2

Attach Stretcher (E) to unit with Head Cap Bolts (short), Spring Washers and Flat Washers.

Attach Leg (C),(D) to unit with Head Cap Bolts (short), Head Cap Bolts (long), Spring Washers and Flat Washers.



STEP 3

Place Seat (A) upside down on a soft cloth.

Attach unit onto Seat (A) with 6X Wood Screws. (See Figure 2)

Turn the unit to its' upright position.

To level the unit, adjust the adjustable levelers on the bottom of unit. (See figure 3)

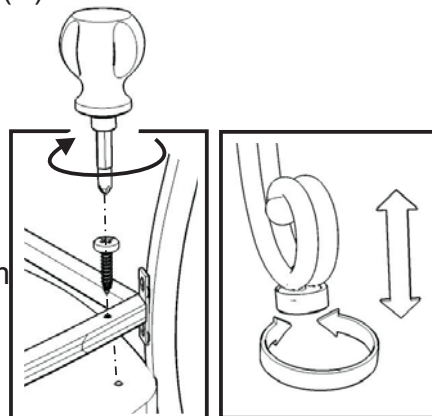


Figure 2

Figure 3