

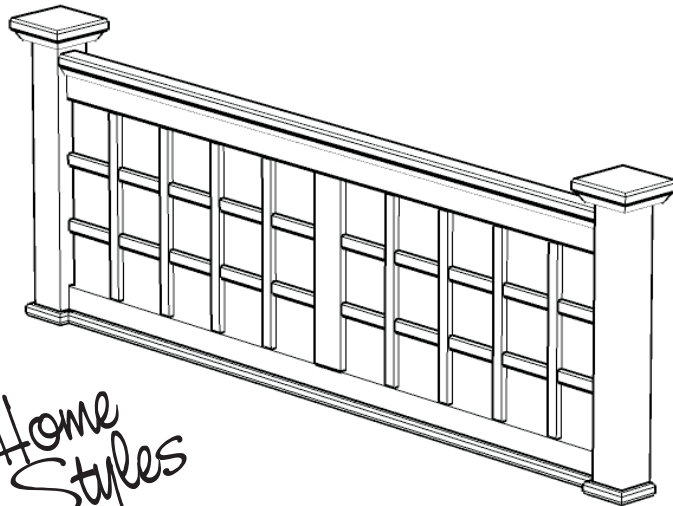
88 5180 5011

**Art & Crafts Queen Headboard
Cottage Oak**

IMPORTANT NOTE

Carefully remove all the parts from the carton and put them individually on a soft cloth to prevent scratches or other damages occurring to the wood parts.

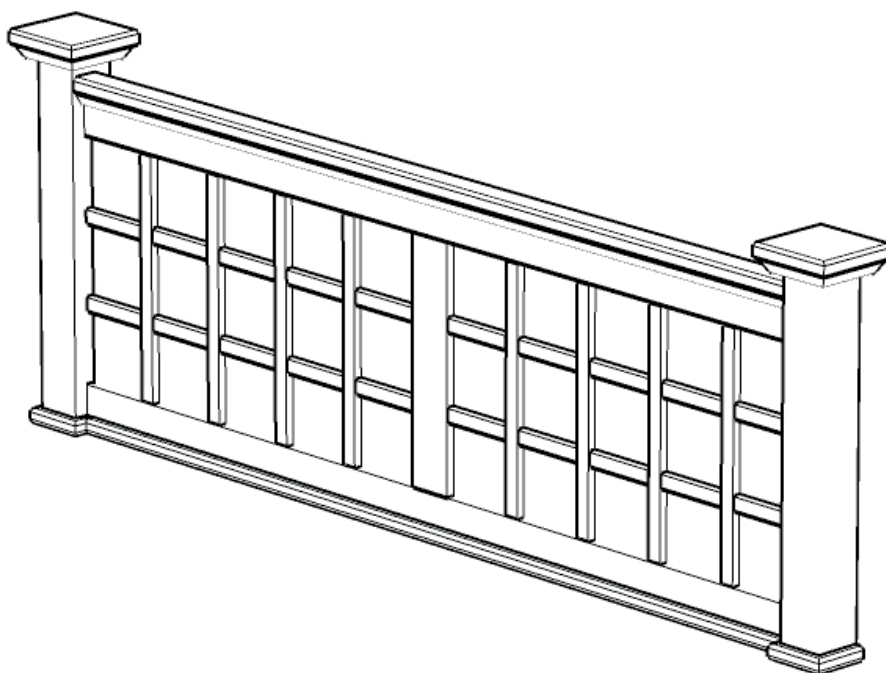
We have taken great care in the design of this product and request that you carefully and strictly follow our assembly instructions to ensure a completed product as it was designed.



*Home
Styles*

Part List

A.
Head Board
1 pc.



For assembly see instructions in carton 88 5182 5012

***Home Styles Consumer Assistance Line 888-680-7460 and 877-831-0319
servicedesk@homestyles-furniture.com***

88 5180 5012

Art & Crafts Queen Headboard

Cottage Oak

IMPORTANT NOTE

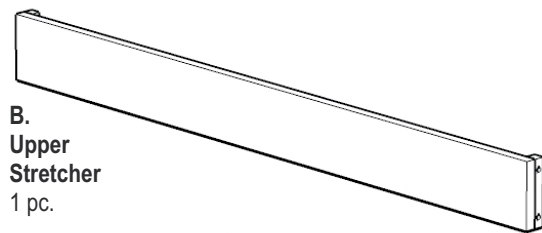
Carefully remove all the parts from the carton and put them individually on a soft cloth to prevent scratches or other damages occurring to the wood parts.

We have taken great care in the design of this product and request that you carefully and strictly follow our assembly instructions to ensure a completed product as it was designed.

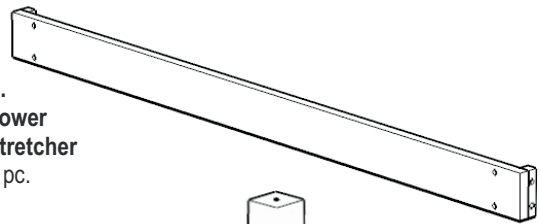
Home Styles



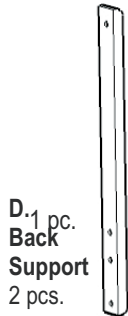
Part List



B.
Upper
Stretcher
1 pc.



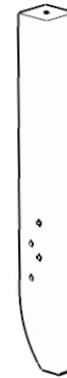
C.
Lower
Stretcher
1 pc.



D. 1 pc.
Back
Support
2 pcs.



E.
Leg
1 pc.

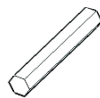


F.
Leg
Level
1 pc.

Hardware List



Hex Wrench
1 pc.



**Small
Hex Wrench**
1 pc.



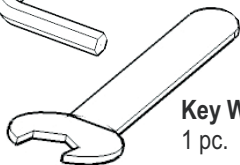
**Spring
Washer**
2 pcs. (+1 extra)



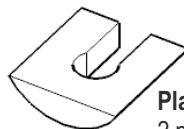
Nut
2 pcs. (+1 extra)



Flat Washer
2 pcs. (+1 extra)



Key Wrench
1 pc.



Plastic Insert
2 pcs. (+1 extra)



Head Cap Bolt
16 pcs. (+1 extra)



Bolt
2 pcs. (+1 extra)

Also need the following from carton 88 582 5011 :

Part List in Carton 88 5182 5011
Head Board (A)

Tools recommended for assembly :

Home Styles Consumer Assistance Line 888-680-7460 and 877-831-0319
servicedesk@homestyles-furniture.com

Assembly Instructions 2/2

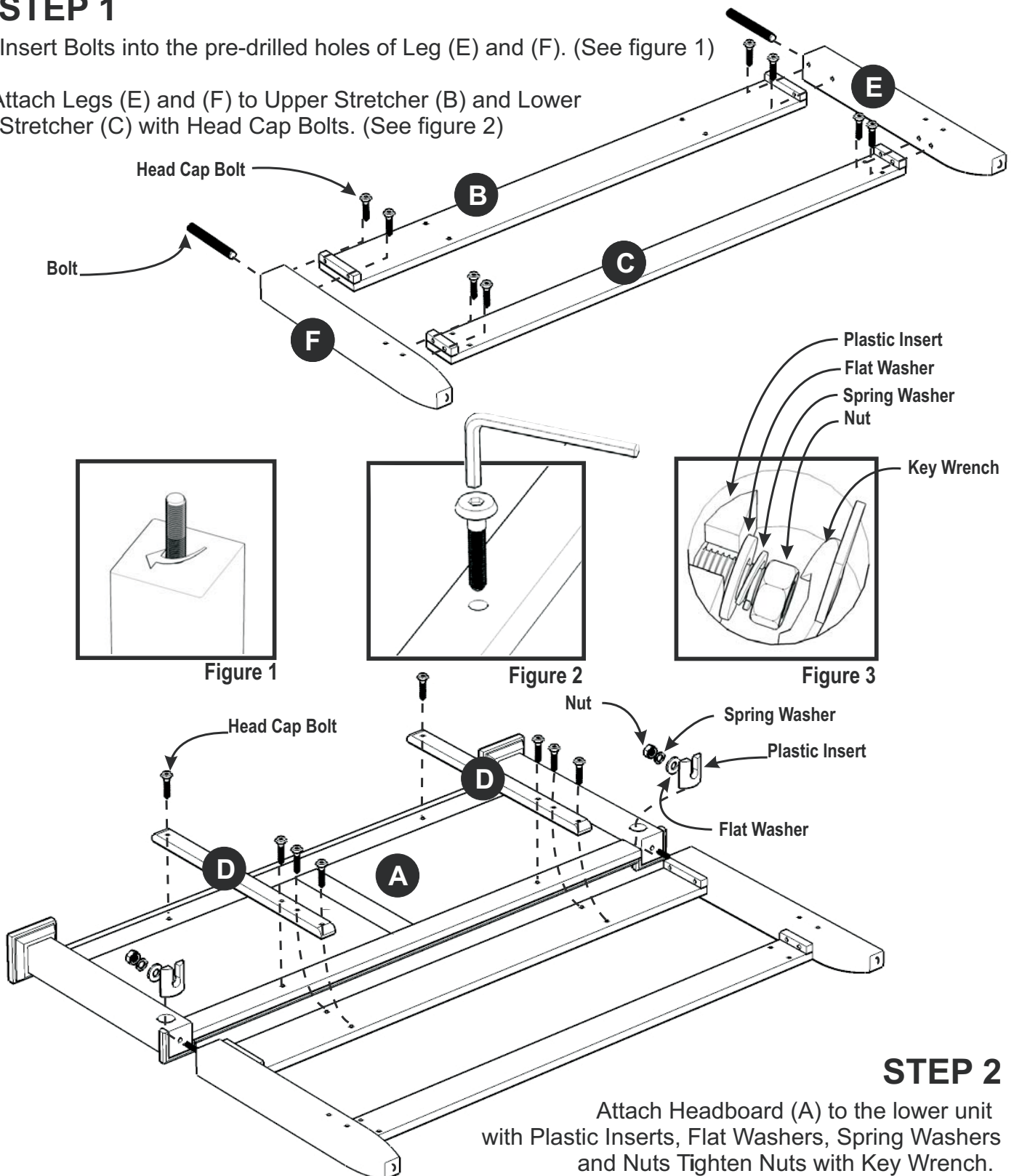
IMPORTANT

- * Do not tighten up all the screws until each part is properly assembled.
- * You should keep Hex Wrench and Key Wrench in a safe place as you may need to tighten up the Head cap Bolts and Nuts in the future.
- * After assembly item must be level to work properly Use the included adjustable levelers to level.

STEP 1

Insert Bolts into the pre-drilled holes of Leg (E) and (F). (See figure 1)

Attach Legs (E) and (F) to Upper Stretcher (B) and Lower Stretcher (C) with Head Cap Bolts. (See figure 2)



STEP 2

Attach Headboard (A) to the lower unit with Plastic Inserts, Flat Washers, Spring Washers and Nuts Tighten Nuts with Key Wrench. (See figure 3)

Attach Back Support (D) to the unit with Head Cap Bolts.

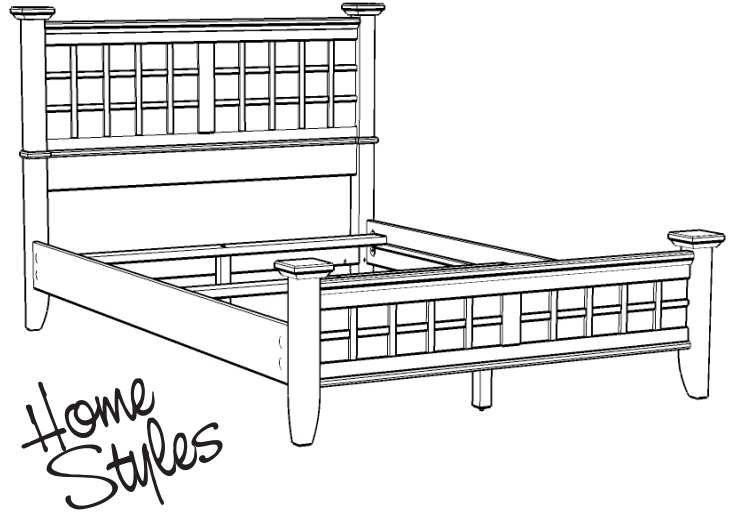
88 5180 503

Art & Crafts Queen Bed Rails Cottage Oak

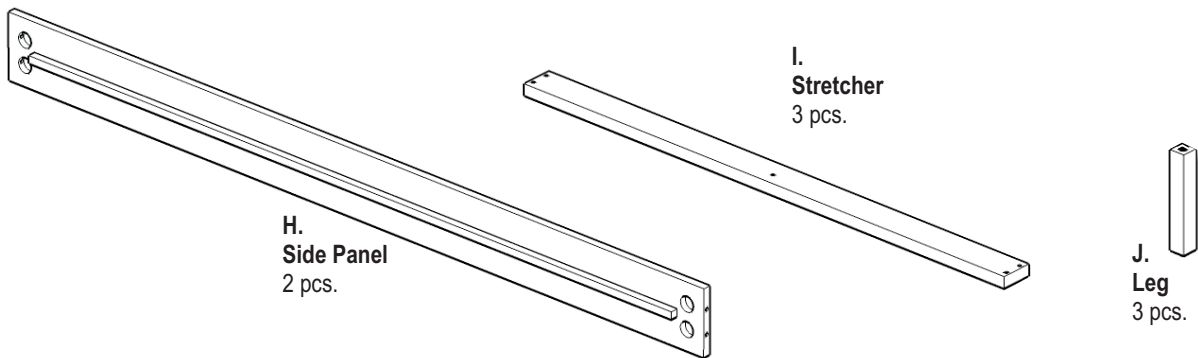
IMPORTANT NOTE

Carefully remove all the parts from the carton and put them individually on a soft cloth to prevent scratches or other damages occurring to the wood parts.

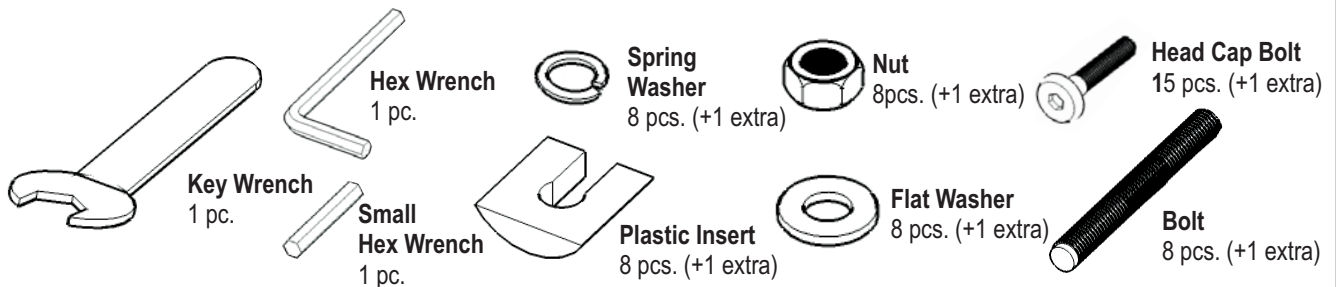
We have taken great care in the design of this product and request that you carefully and strictly follow our assembly instructions to ensure a completed product as it was designed.



Part List



Hardware List



Also need the following from carton 88 5182 502, 88 5182 5011, 88 5182 5012

Part List in carton 88 5182 502
Foot Board (G) 1 pc.

Part List in Carton 88 5182 5011
Head Board (A) 1 pc.

Part List in carton 88 5182 5012
Upper Stretcher (B) 1 pc.
Lower Stretcher (C) 1 pc.
Back Support (D) 2 pcs.
Leg (E) 1 pc.
Leg (F) 1 pc.

Hardware List in carton 88 5182 5012
Hex Wrench 1 pc.
Key Wrench 1 pc.
Small Hex Wrench 1 pc.
Plastic Insert 3 pcs.
Spring Washer 3 pcs.
Nut 3 pcs.
Flat Washer 3 pcs.
Head Cap Bolt 17 pcs.
Bolt 3 pcs.

Tools required for assembly : **Phillips** screwdriver

Tools recommended for assembly :Level

Home Styles Consumer Assistance Line 888-680-7460 and 877-831-0319
servicedesk@homestyles-furniture.com

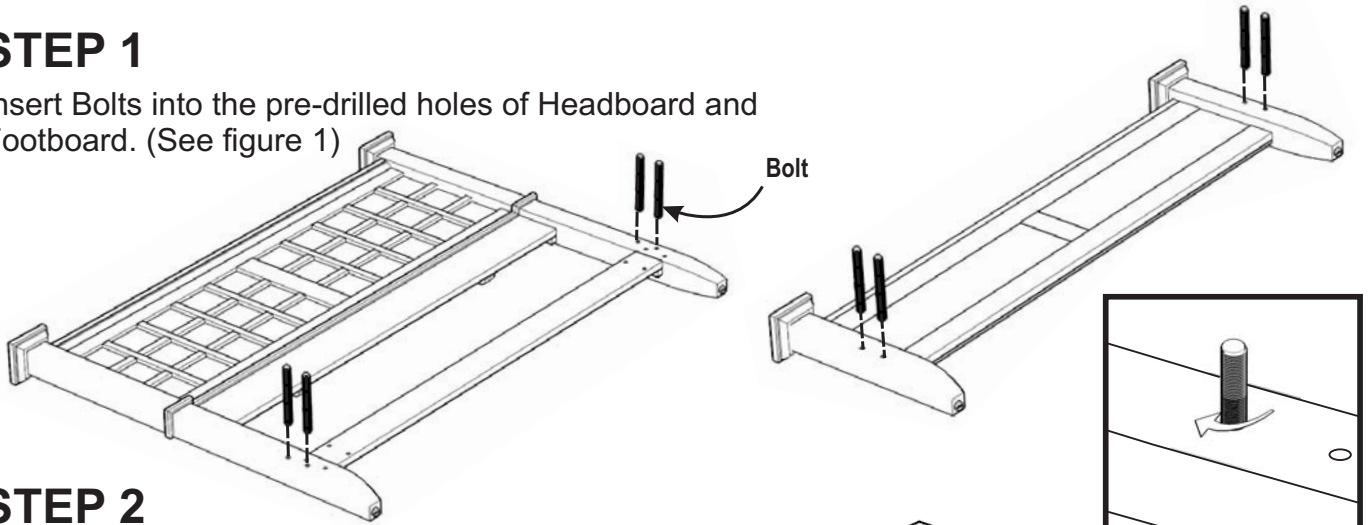
Assembly Instructions 2/2

IMPORTANT

- * Do not tighten up all the screws until each part is properly assembled.
- * You should keep Key Wrench in a safe place as you may need to tighten up the Nuts in the future.
- * After assembly item must be level to work properly. Use the included adjustable levelers to level.

STEP 1

Insert Bolts into the pre-drilled holes of Headboard and Footboard. (See figure 1)



STEP 2

Assemble Side Panels (H) to Headboard and Footboard using Plastic Inserts, Flat Washers, Spring Washers and Nuts. Tighten all the Bolts with Key wrench. (See figure 2)

Attach Legs (J) to Stretchers (I) with Head Cap Bolts.

Attach Stretchers (I) to the unit with Head Cap Bolts. (See figure 3)

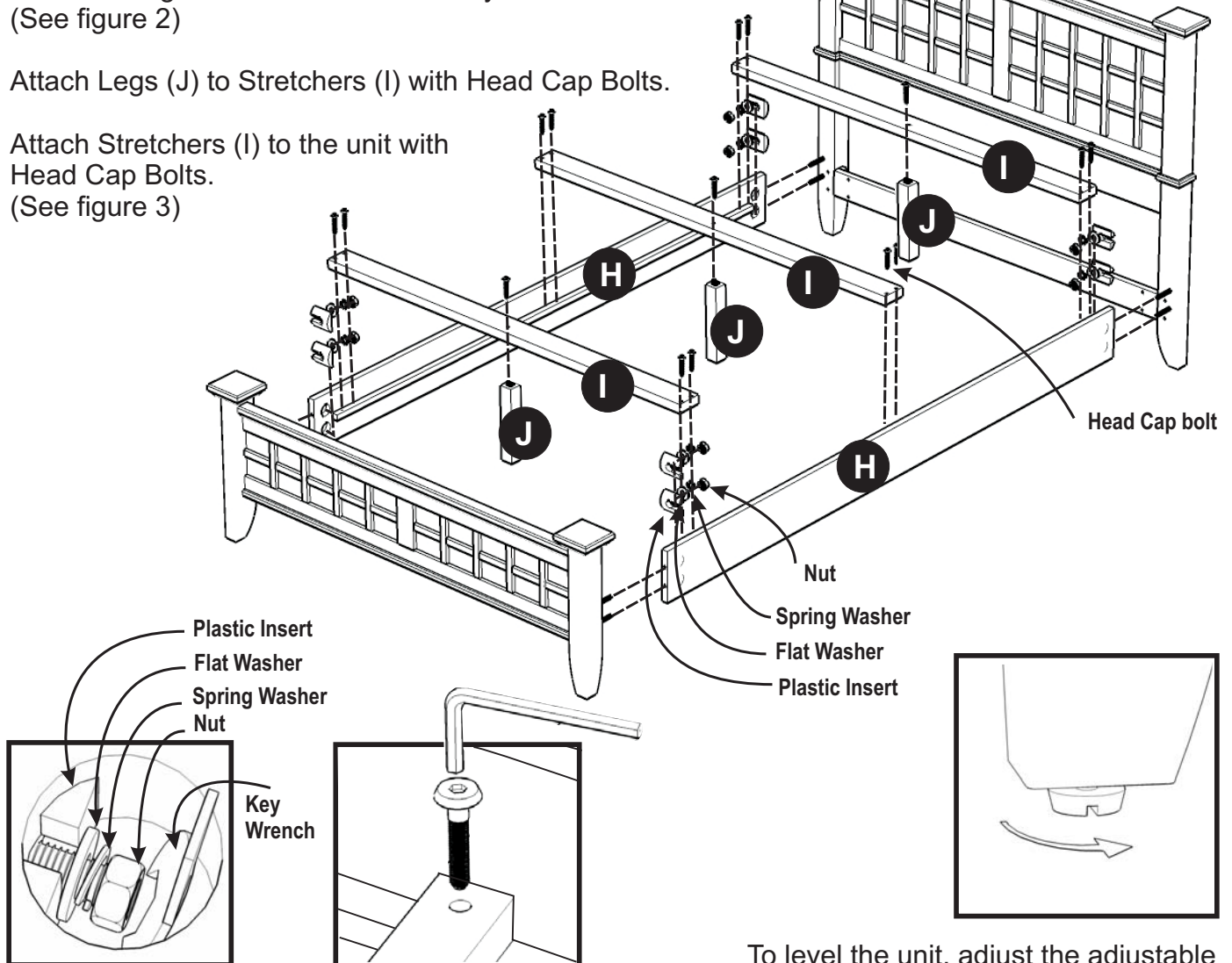


Figure 1

Figure 2

Figure 3

To level the unit, adjust the adjustable levelers on the bottom of legs.

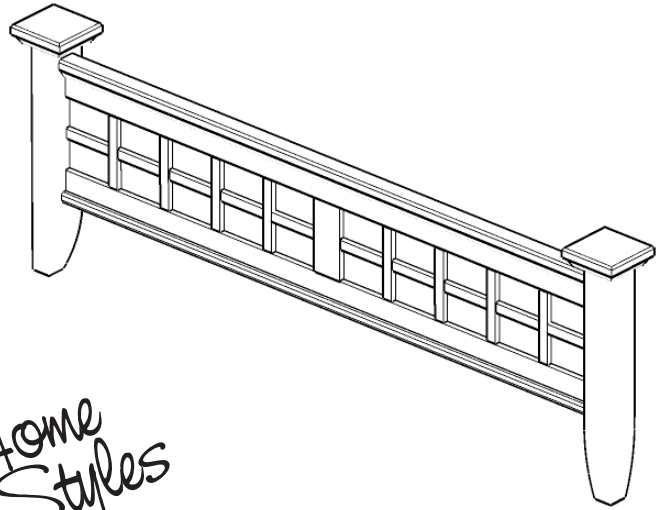
88 5180 502

**Art & Crafts Queen Footboard
Cottage Oak**

IMPORTANT NOTE

Carefully remove all the parts from the carton and put them individually on a soft cloth to prevent scratches or other damages occurring to the wood parts.

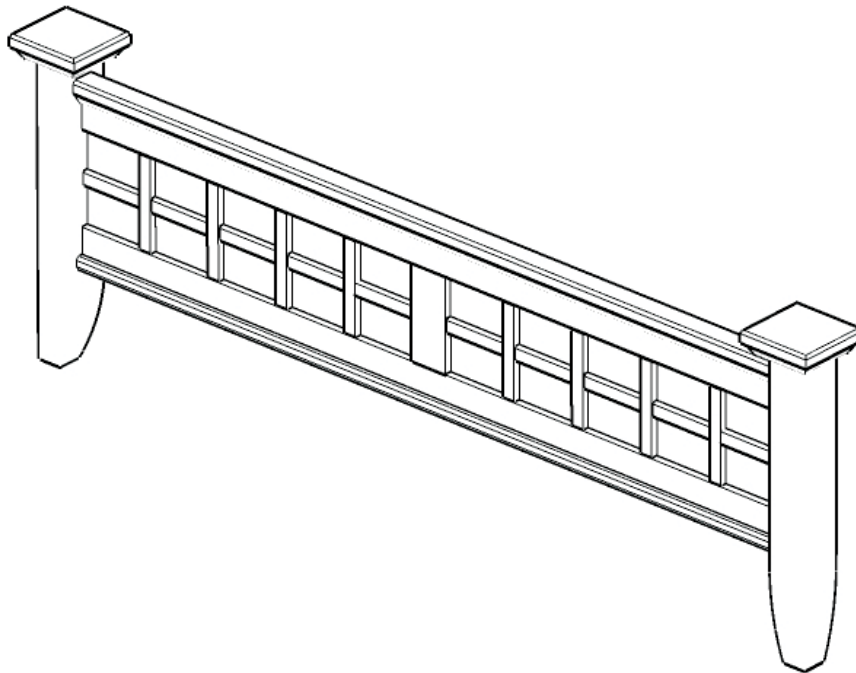
We have taken great care in the design of this product and request that you carefully and strictly follow our assembly instructions to ensure a completed product as it was designed.



*Home
Styles*

Part List

G.
Foot Board
1 pc.



For assembly see instructions in carton 88 5182 503

***Home Styles Consumer Assistance Line 888-680-7460 and 877-831-0319
servicedesk@homestyles-furniture.com***