

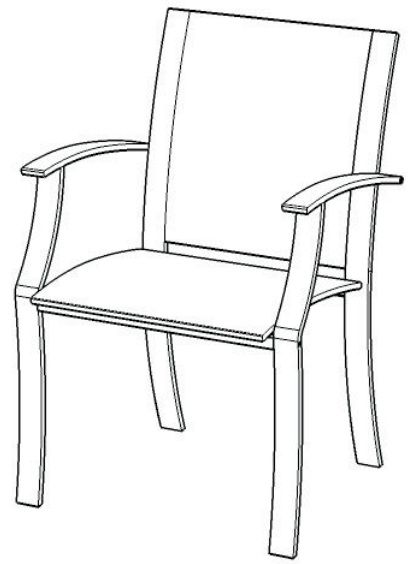
# 88 5600 81 Newport Chair (Walnut Brown Woven Vinyl)

## IMPORTANT NOTE

Carefully remove all the parts from the carton and put them individually on a soft cloth to prevent scratches or other damages occurring to the parts.

We have taken great care in the design of this product and request that you carefully and strictly follow our assembly instructions to ensure a completed product as it was designed.

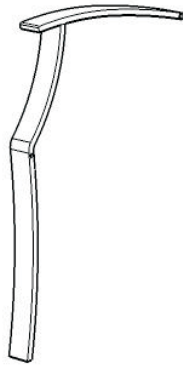
*Home  
Styles*



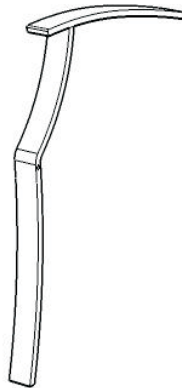
## Unit Part List



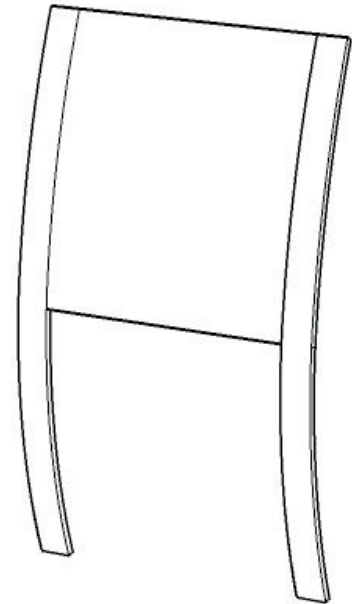
**A.**  
**Seat**  
1 pc.



**B.**  
**Leg**  
1 pc.



**C.**  
**Leg**  
1 pc.



**D.**  
**Back Frame**  
1 pc.

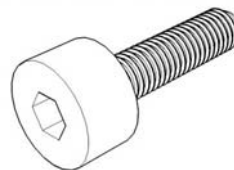
## Hardware List



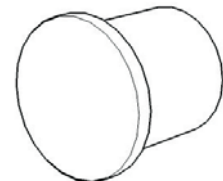
**Small  
Hex Wrench**  
1 pc.



**Hex Wrench**  
1 pc.



**Head Cap Bolt**  
6 pcs.(+1 extra)



**Plastic Cap**  
6 pcs.(+1 extra)

# Assembly Instructions

## IMPORTANT

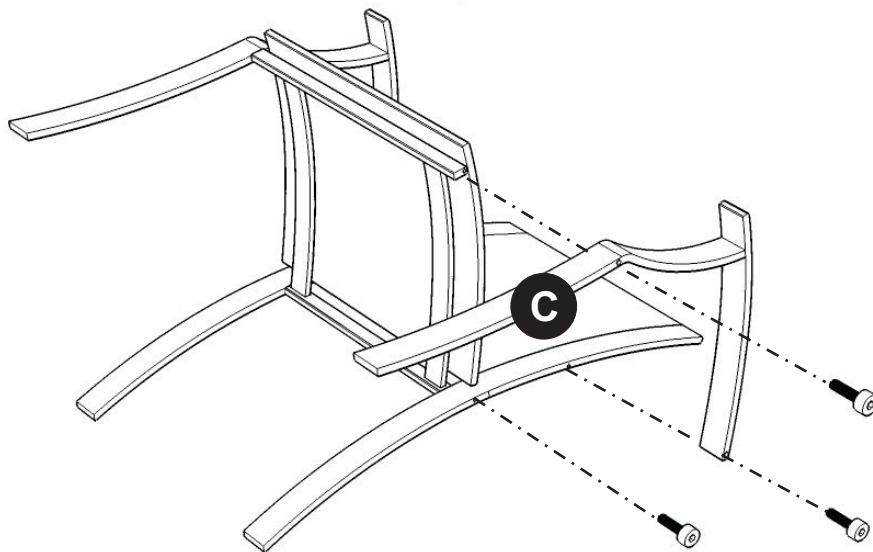
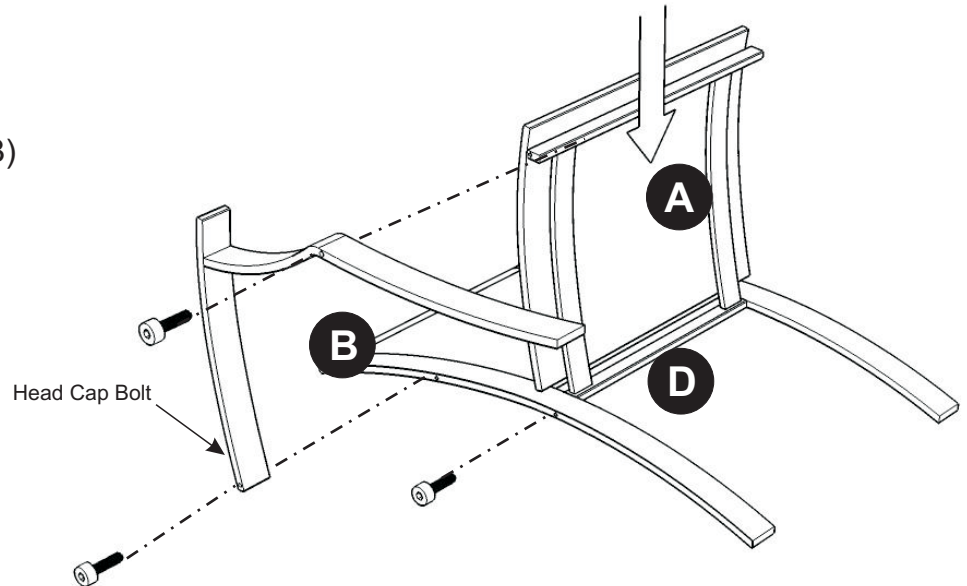
\* Do not tighten up all the screws until each part is properly assembled.

\* You should keep Hex Wrench in a safe place as you may need to tighten up the Head Cap Bolts in the future.

\* After assembly, item must be level to work properly. Use the included adjustable levelers to level.

## STEP 1

Attach Seat (A) and Leg (B) to Back Frame (D) with Head Cap Bolts.



## STEP 2

Attach Leg (C) to unit with Head Cap Bolts.

Turn the Chair to its' upright position.

## STEP 3

Cover all holes with Plastic Caps.  
(See figure 1)

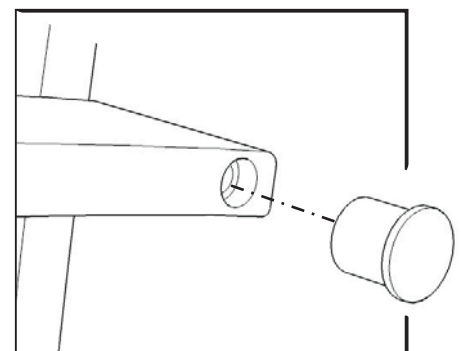


Figure 1