

88 5660 89

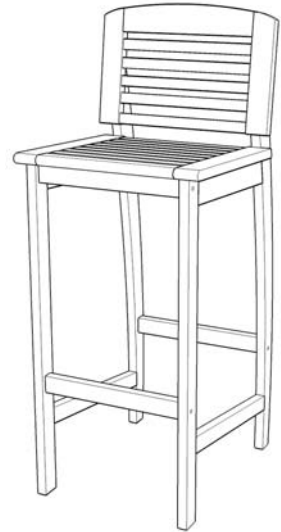
Bali Hai Bar Stool

IMPORTANT NOTE

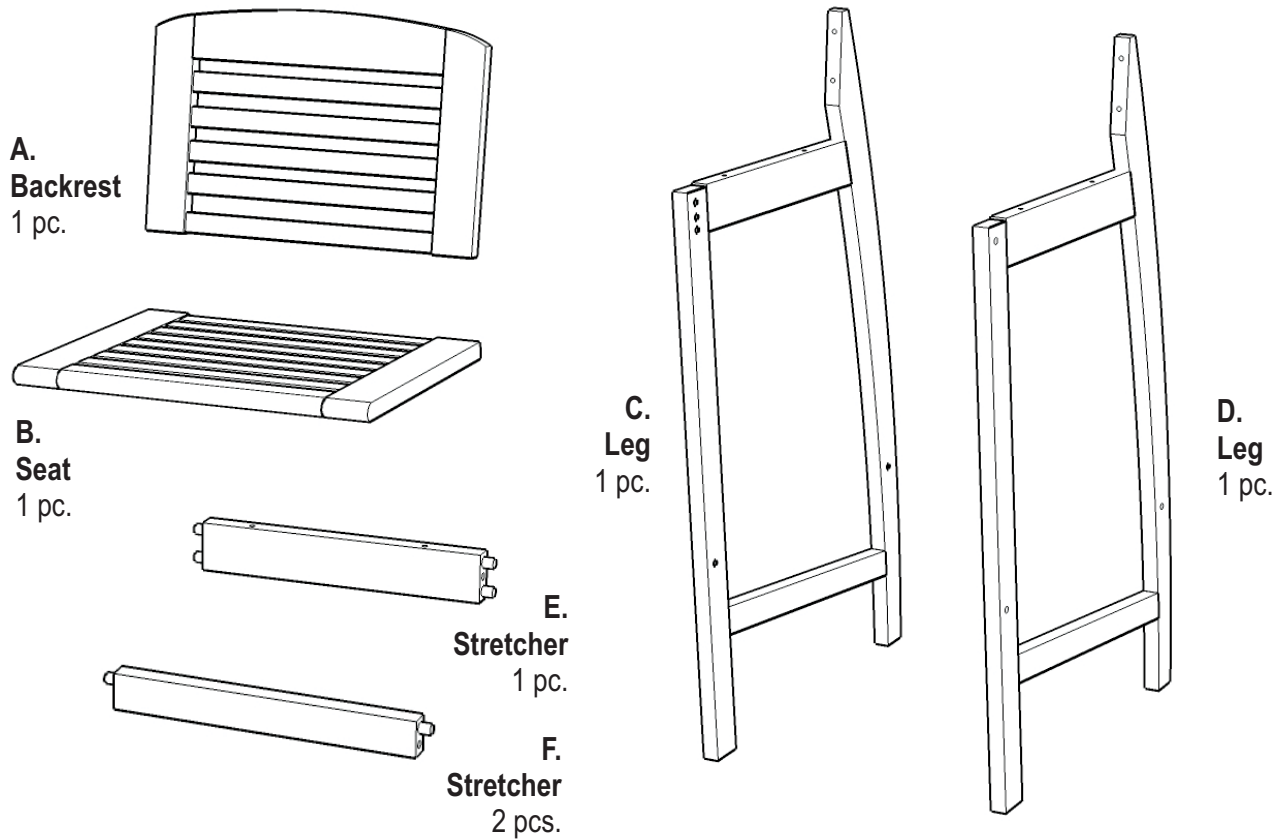
Carefully remove all the parts from the carton and put them individually on a soft cloth to prevent scratches or other damages occurring to the parts.

We have taken great care in the design of this product and request that you carefully and strictly follow our assembly instructions to ensure a completed product as it was designed.

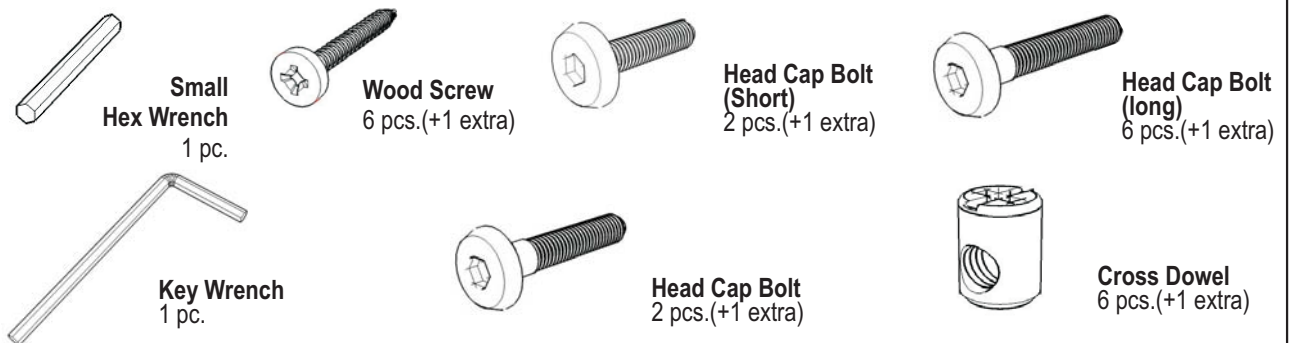
Home Styles



Part List



Hardware List



Tools required for assembly : **Phillips** screwdriver

Home Styles Consumer Assistance Line 888-680-7460 and 877-831-0319
servicedesk@homestyles-furniture.com

Assembly Instructions

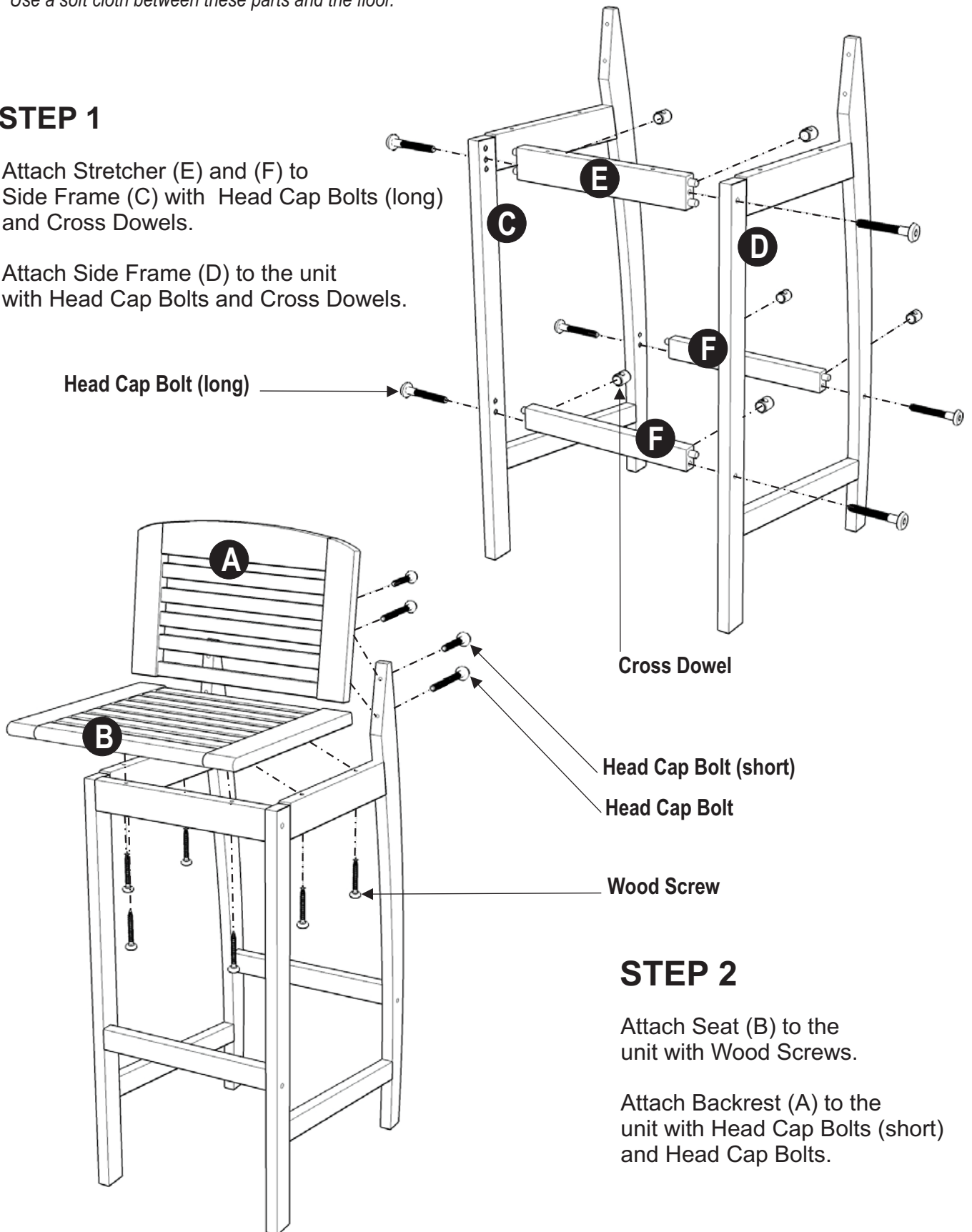
IMPORTANT

- * Do not tighten up all the screws until each part is properly assembled.
- * You should keep Hex Wrench in a safe place as you may need to tighten up the Head Cap Bolts in the future.
- * Use a soft cloth between these parts and the floor.

STEP 1

Attach Stretcher (E) and (F) to Side Frame (C) with Head Cap Bolts (long) and Cross Dowels.

Attach Side Frame (D) to the unit with Head Cap Bolts and Cross Dowels.



STEP 2

Attach Seat (B) to the unit with Wood Screws.

Attach Backrest (A) to the unit with Head Cap Bolts (short) and Head Cap Bolts.

CARE INSTRUCTIONS

**IMPORTANT – READ CAREFULLY
RETAIN THIS INFORMATION FOR FUTURE REFERENCE**

Advisory Notes

- Periodic structural checks of this furniture should be undertaken. Do not use if you have any doubts about its fitness for purpose.
- Care should be exercised so as not to trap fingers in any of the hinged parts of this furniture.
- Always use on firm level ground, ensuring that all legs remain in contact with the ground.
- Do not stand on a chair or sit or stand on any other item.
- Do not let children play with this furniture.
- This furniture should be stored under cover during prolonged periods of adverse weather (wet or cold) and also during the winter (ideally in a garden shed or garage). Always clean and dry thoroughly before storage.

Care of Outdoor Wooden Furniture

PLEASE FOLLOW THESE CARE INSTRUCTIONS IN ORDER TO MAINTAIN THE APPEARANCE AND LIFE OF THIS OUTDOOR WOODEN FURNITURE.

This furniture has been treated with linseed oil during manufacture and does not require a further application before being placed outside. If the furniture is intentionally left outside for a prolonged period of adverse weather (see advisory notes) further finish must be applied. Please refer to the maintenance instructions below for the application of linseed oil.

Due to the high density of certain hardwoods, fine surface cracks may occur over time from weathering, but these won't affect the structural integrity of the furniture.

(Please see following page for further care instructions.)

Maintenance

In order to maintain the appearance of the wood, regular coatings of linseed oil must be applied. The frequency will depend on the weather conditions experienced.

1. Ensure that you refer to the manufacturers guidelines of the linseed oil that you use.
2. Linseed oil is best applied with a clean cloth. Wipe the oil onto the wood surface straight from the container.
3. Treat all surfaces of the furniture. Ensure that any hidden surfaces, such as those exposed when the furniture is turned upside down, are adequately treated. Particular care should be given to the end grain, to all joints and to any crevices that may have been caused by damage.
4. Let the surface dry out. This can take between 4 and 12 hours depending on weather conditions.
5. Repeat the above steps with at least 2 more coats of oil. Extra coats may leave a semi-gloss sheen once the oil has dried out, but any excess oil can be wiped off with a clean cloth.

*CAUTION: **DO NOT** leave cloths used for applying linseed oil where they may constitute a fire hazard, as they are liable to spontaneous combustion, i.e. self igniting without warning. Immediately after use, saturate all cloths used for applying linseed oil with water and dispose of safely outside the home.*

Should you choose not to treat this furniture, then it will turn a greyish colour and develop cracks. Light sanding can restore the original colour after which linseed oil can be applied in accordance with the instructions above.

Tannin Exudation

Tannin is a naturally occurring substance in many wood species which may exude from the surface of the wood. While normally harmless to touch, soil, grass or other plants, this may stain the surface of hard areas such as patios or decks.

To clean the Tannin marks it may be possible to use a proprietary cleaning product or, alternatively, use a water-based wood restorer (typically containing oxalic acid). It is important that any stains are removed within 1 to 2 days of them occurring.

Care should be exercised to follow the manufacturer's guidelines for the type of cleaner used and that a test is carried out on a small area first to determine the effectiveness of the chosen product. This is especially important on wooden decking areas where the existing surface finish may be lifted due to the application of the cleaning agent. If decking has become discolored from the cleaning it can be restored with a suitable wood finish.