

88 5050 61 Oak Hill Buffet

IMPORTANT NOTE

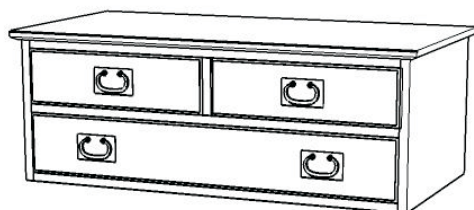
Carefully remove all the parts from the carton and put them individually on a soft cloth to prevent scratches or other damages occurring to the wood parts.

We have taken great care in the design of this product and request that you carefully and strictly follow our assembly instructions to ensure a completed product as it was designed.

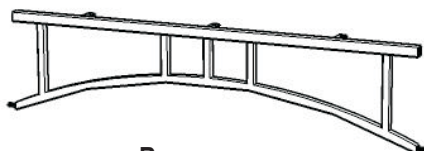


Home
Styles

Part List



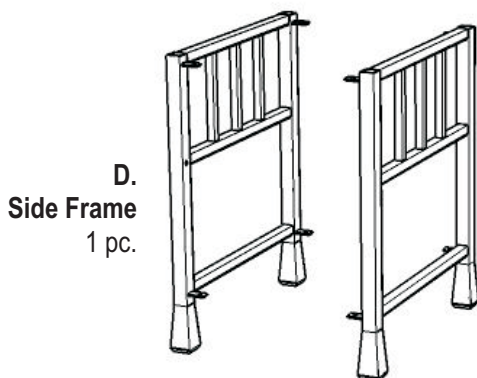
A.
Cabinet
1 pc.



B.
Front Stretcher
1 pc.

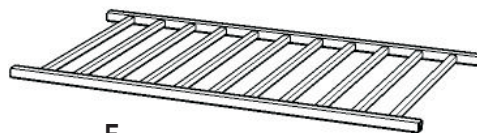


C.
Back Stretcher
1 pc.



D.
Side Frame
1 pc.

E.
Side Frame
1 pc.



F.
Shelf
1 pc.

Hardware List



Hex Wrench
1 pc.



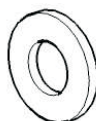
Small Hex Wrench
1 pc.



Head Cap Bolt
8 pcs. (+1 extra)



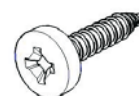
Spring Washer
8 pcs. (+1 extra)



Flat Washer
8 pcs. (+1 extra)



Wood Screw (long)
3 pcs. (+1 extra)



Wood Screw (short)
3 pcs. (+1 extra)

Tools required for assembly : **Phillips** screwdriver

Home Styles Consumer Assistance Line 888-680-7460 and 877-831-0319
servicedesk@homestyles-furniture.com

Assembly Instructions

IMPORTANT

You should keep Hex Wrench in a safe place as you may need to tighten up the Head Cap Bolts in the future.

STEP 1

Attach Front Stretcher (B) and Back Stretcher (C) to Side Frame (D) with Head Cap Bolts, Spring Washers and Flat Washers. (See figure 1)

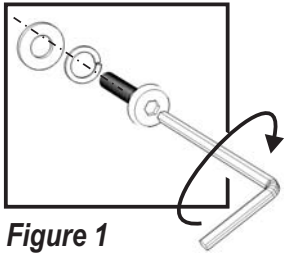
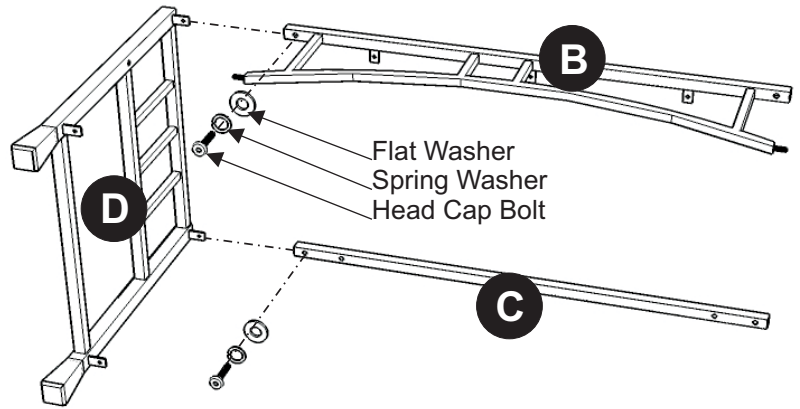


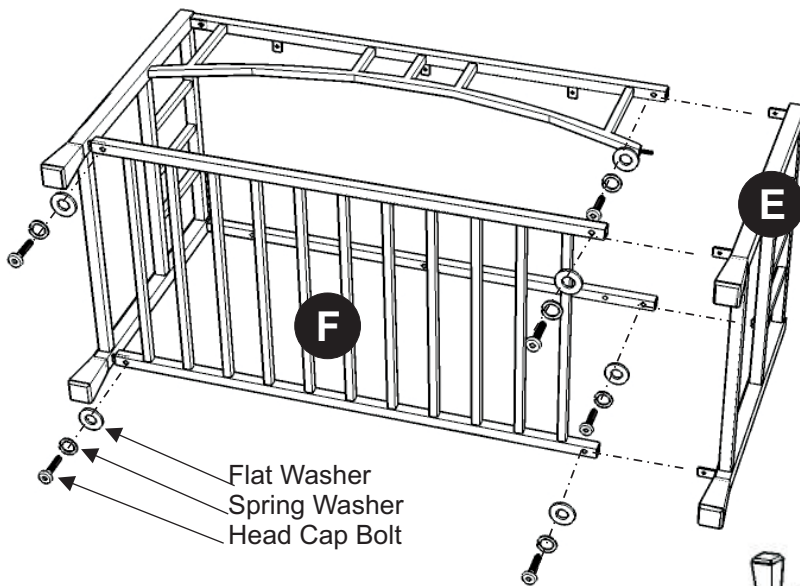
Figure 1



STEP 2

Attach Shelf (F) to unit with Head Cap Bolts, Spring Washers and Flat Washers.

Attach Side Frame (E) to unit with Head Cap Bolts, Spring Washers and Flat Washers.



Wood Screw
(short)

STEP 3

Remove all drawers, then place Cabinet (A) upside down on a soft cloth.

Attach unit onto Cabinet (A) with 3X Wood Screws (short) for Front Stretcher and 3X Wood Screws (long) for Back Stretcher.

Turn the unit to its' upright position
Slide all drawers into position.

Wood Screw
(long)

