

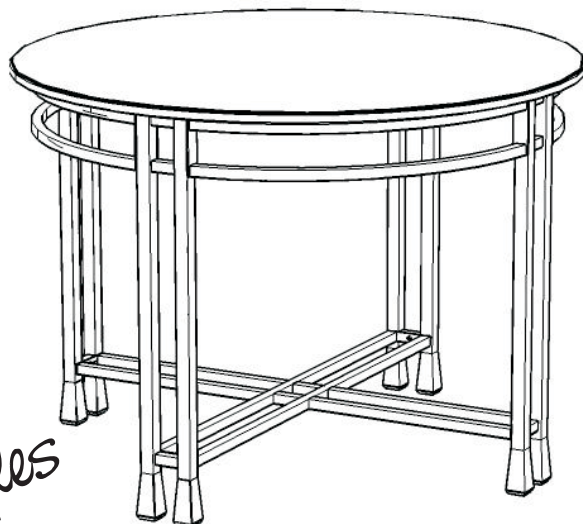
88 5050 30 Oak Hill Table

IMPORTANT NOTE

Carefully remove all the parts from the carton and put them individually on a soft cloth to prevent scratches or other damages occurring to the wood parts.

We have taken great care in the design of this product and request that you carefully and strictly follow our assembly instructions to ensure a completed product as it was designed.

Home Styles



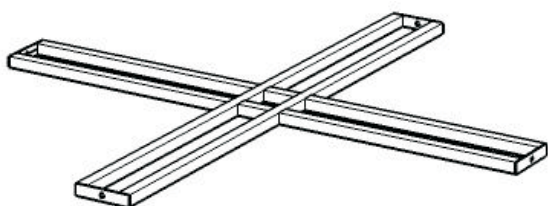
Part List



A.
Top
1 pc.



B.
Apron
4 pcs.



C.
Stretcher
1 pc.



D.
Leg
4 pcs.

Hardware List



Hex Wrench
1 pc.



Small Hex Wrench
1 pc.



Head Cap Bolt
20 pcs. (+1 extra)



Spring Washer
20 pcs. (+1 extra)



Flat Washer
20 pcs. (+1 extra)



Wood Screw
8 pcs. (+1 extra)

Tools required for assembly : **Phillips** screwdriver

Home Styles Consumer Assistance Line 888-680-7460 and 877-831-0319
servicedesk@homestyles-furniture.com

Assembly Instructions

IMPORTANT

You should keep Hex Wrench in a safe place as you may need to tighten up the Head Cap Bolts in the future.

STEP 1

Attach Legs (D) to Stretcher (C) with Head Cap Bolts, Spring Washers and Flat Washers, tighten Head Cap Bolts only half way. (See figure 1)

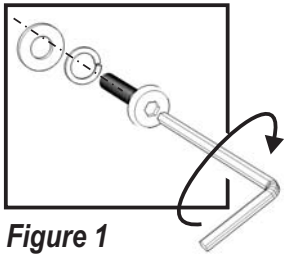
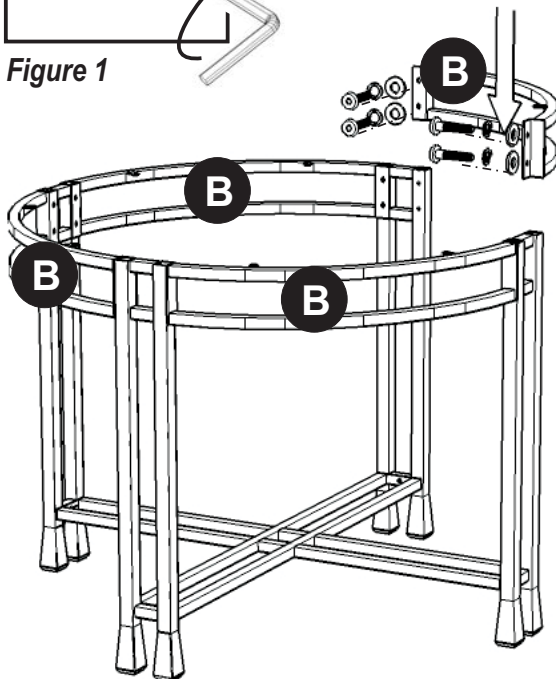
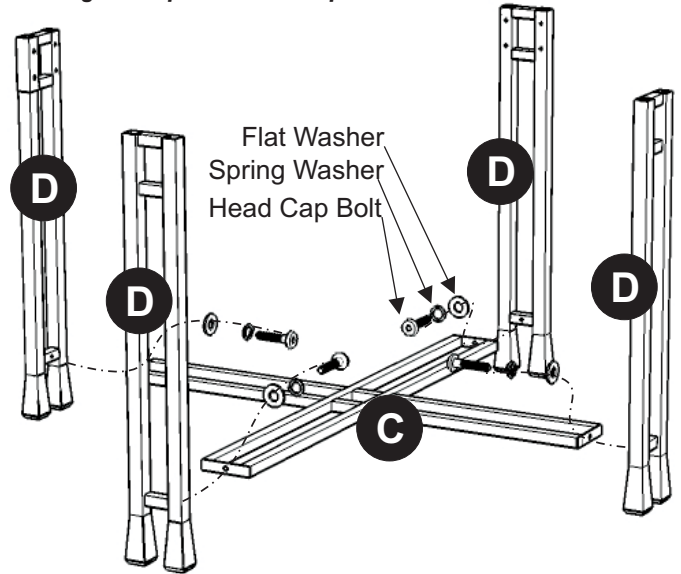


Figure 1



STEP 2

Attach Apron (B) to unit with Head Cap Bolts, Spring Washers and Flat Washers, tighten up all Head Cap Bolts.

STEP 3

Place Top (A) upside down on a soft cloth.

Align the 4 Arrow Stickers on the Top (A) with the 4 Arrow Stickers on the unit. (See Figure 2)

Attach unit onto Top (A) with 8 Wood Screws.

Turn the unit to its' upright position.

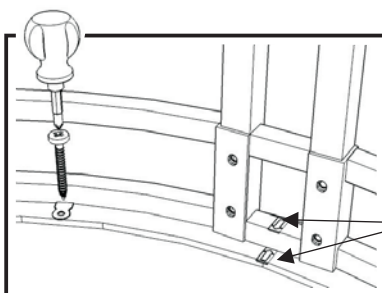


Figure 2

Wood Screw

