

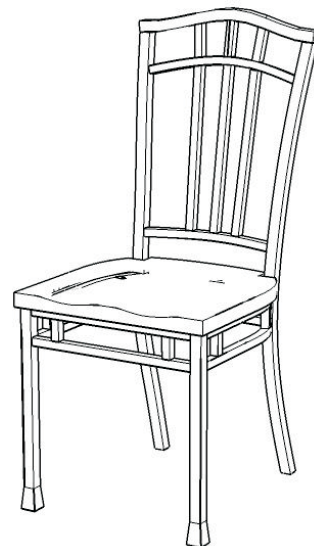
88 5050 80 Oak Hill Side Chair

IMPORTANT NOTE

Carefully remove all the parts from the carton and put them individually on a soft cloth to prevent scratches or other damages occurring to the wood parts.

We have taken great care in the design of this product and request that you carefully and strictly follow our assembly instructions to ensure a completed product as it was designed.

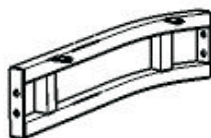
*Home
Styles*



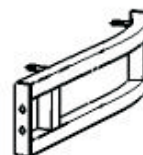
Part List



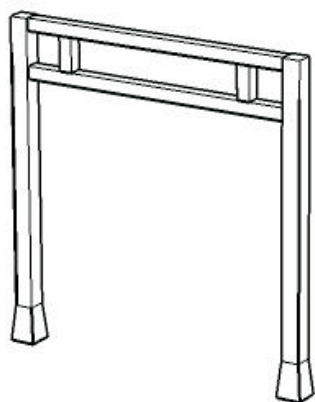
A.
Seat
1 pc.



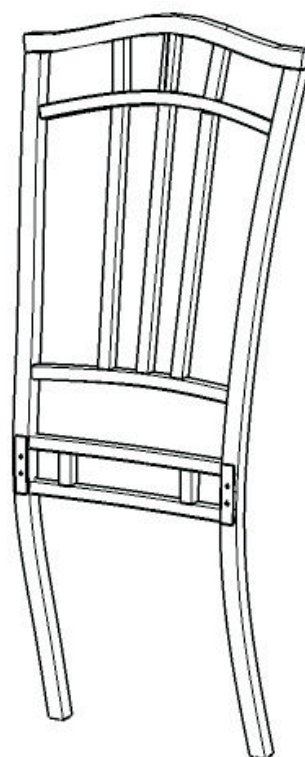
B.
Side Frame
1 pc.



C.
Side Frame
1 pc.



D.
Front Frame
1 pc.



E.
Back Frame
1 pc.

Hardware List



Hex Wrench
1 pc.



**Small
Hex Wrench**
1 pc.



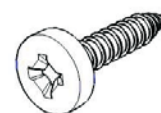
Head Cap Bolt
8 pcs. (+1 extra)



Spring Washer
8 pcs. (+1 extra)



Flat Washer
8 pcs. (+1 extra)



Wood Screw
4 pcs. (+1 extra)

Tools required for assembly : **Phillips** screwdriver

Home Styles Consumer Assistance Line 888-680-7460 and 877-831-0319
servicedesk@homestyles-furniture.com

Assembly Instructions

IMPORTANT

You should keep Hex Wrench in a safe place as you may need to tighten up the Head Cap Bolts in the future.

STEP 1

Attach Side Frame (B) and (C) to Back Frame (A) with Head Cap Bolts, Spring Washers and Flat Washers.

(See figure 1)

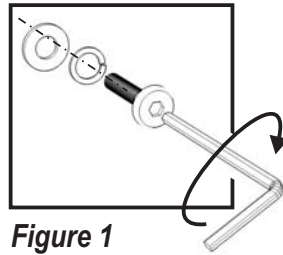
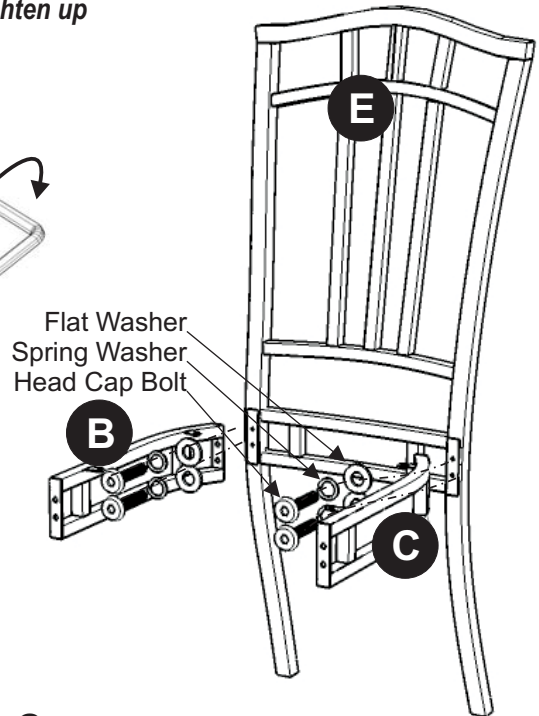
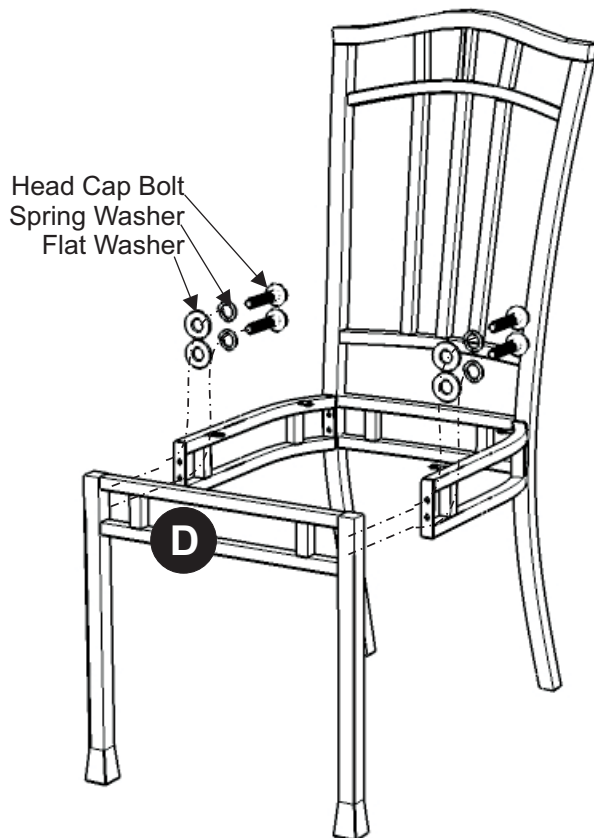
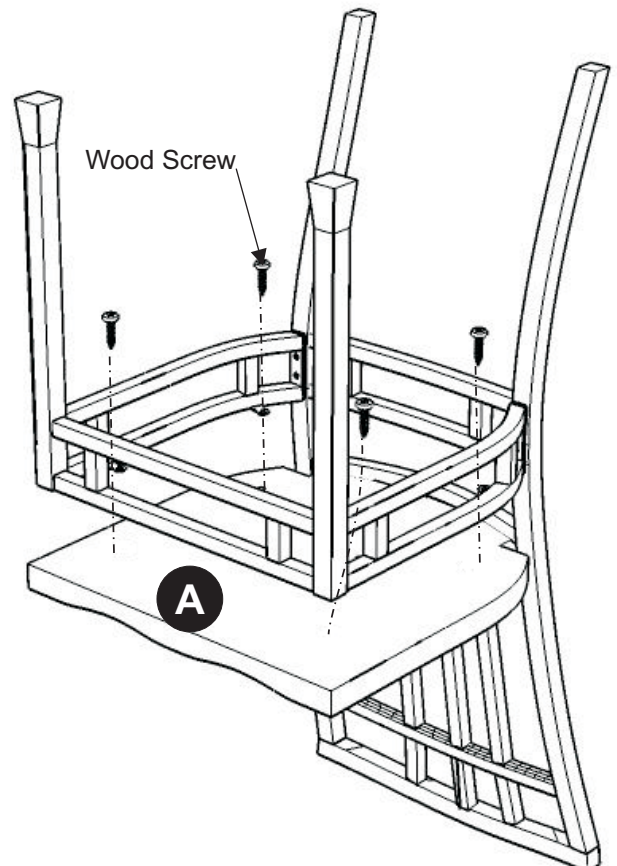


Figure 1



STEP 2

Attach Front Frame (D) to unit with Head Cap Bolts, Spring Washers and Flat Washers.



STEP 3

Place Seat (A) upside down on a soft cloth.

Attach unit onto Seat (A) with 4 Wood Screws.
(See Figure 2)

Turn the unit to its' upright position.

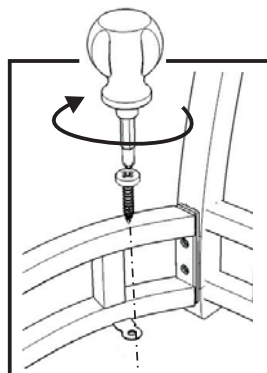


Figure 2