

# 88 5541 101 Windsor Entertainment Credenza

## IMPORTANT NOTE

Carefully remove all the parts from the carton and put them individually on a soft cloth to prevent scratches or other damages occurring to the wood parts.

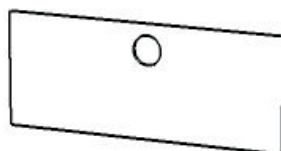
We have taken great care in the design of this product and request that you carefully and strictly follow our assembly instructions to ensure a completed product as it was designed.



## Part List



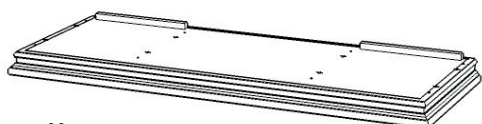
**A.**  
**Top**  
1 pc.



**G.**  
**Back Panel**  
1 pc.



**K.**  
**Back Panel**  
2 pcs.



**H.**  
**Base**  
1 pc.



**I.**  
**Leg**  
4 pcs.

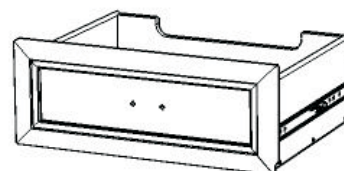


**M.**  
**Shelf**  
4 pcs.



**N.**  
**Shelf**  
1 pc.

**O.**  
**Drawer**  
1 pc.



*(Knock-Down Construction, please refer to the last page of these instructions for drawer assembly steps)*

## Hardware List



**Hex Wrench**  
1 pc.



**Small Hex Wrench**  
1 pc.



**Cam Lock Screw**  
20 pcs.(+2 extra)



**Wood Screw (short)**  
6 pcs.(+1 extra)



**Wood Screw for Back Panel**  
12 pcs.(+1 extra)



**Machine Screw**  
2 pcs.



**Head Cap Bolt**  
8 pcs. (+1 extra)



**Cam Lock**  
20 pcs.(+6 extra)



**Wood Screw (long)**  
13 pcs.(+1 extra)



**Adjustable Pin**  
20 pcs.(+1 extra)



**Pull Handle**  
1 pc.

**For assembly see instructions in carton 88 5541 102**

Tools required for assembly : Phillips screwdriver

Tools recommended for assembly : Level

**Home Styles Consumer Assistance Line 888-680-7460 and 877-831-0319  
servicedesk@homestyles-furniture.com**

# 88 5541 102 Windsor Entertainment Credenza

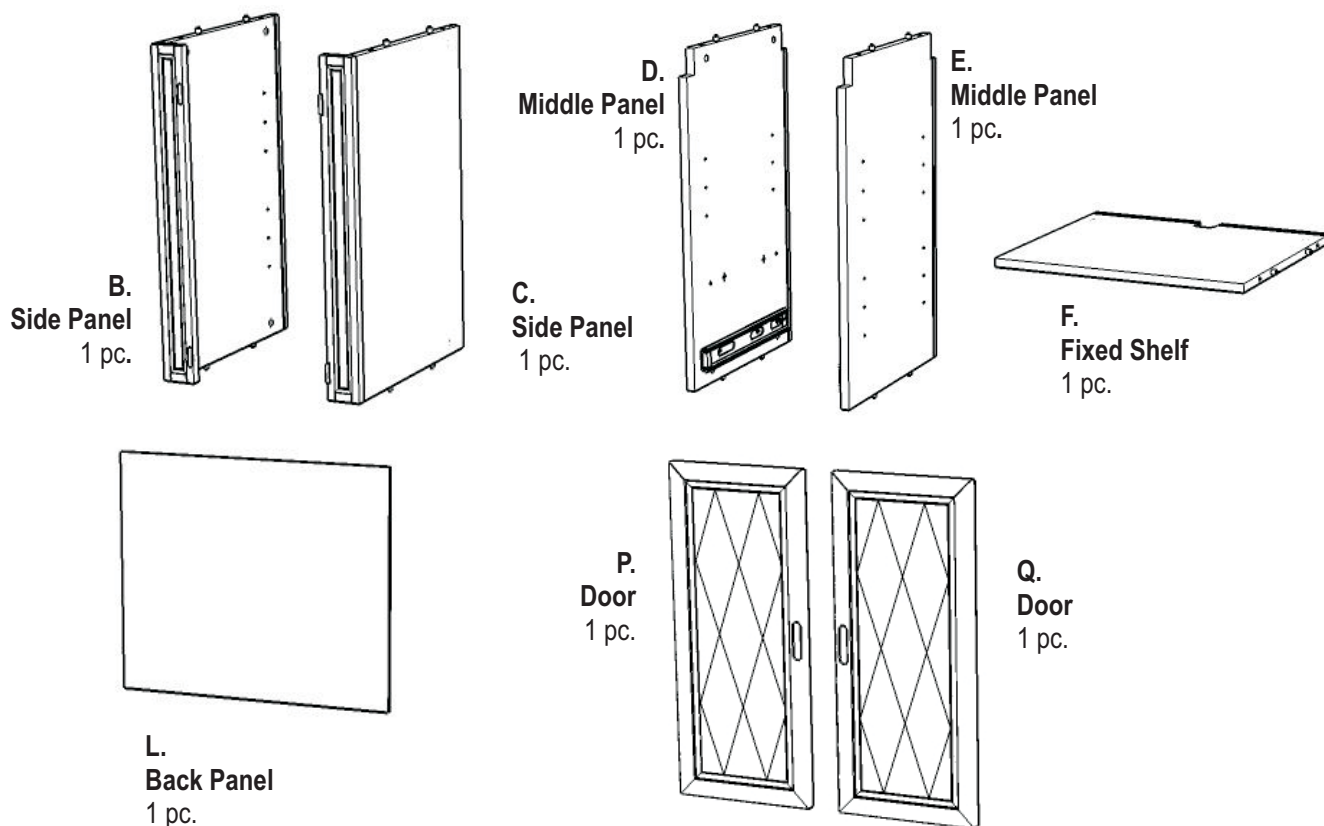
## IMPORTANT NOTE

Carefully remove all the parts from the carton and put them individually on a soft cloth to prevent scratches or other damages occurring to the wood parts.

We have taken great care in the design of this product and request that you carefully and strictly follow our assembly instructions to ensure a completed product as it was designed.



## Part List (in this carton)



## Also need the following from carton 88 5541 101 :

### Part List in carton 88 5541 101

Top (A)	1 pc.
Back Panel (G)	1 pc.
Base (H)	1 pc.
Leg (I)	4 pcs.
Back Panel (K)	1 pc.
Shelf (M)	4 pcs.
Shelf (N)	1 pc.
Drawer (O)	1 pc.

### Hardware List in carton 88 5541 101

Hex Wrench	1 pc.
Small Hex Wrench	1 pc.
Head Cap Bolt	9 pcs.
Cam Lock Screw	22 pcs.
Cam Lock	27 pcs.
Wood Screw for (long)	14 pcs.
Wood Screw for (short)	7 pcs.
Wood Screw for Back Panel	13 pcs.
Adjustable Pin	13 pcs.
Pull Handle	1 pcs.
Machine Screw	2 pcs.

Tools required for assembly : **Phillips** screwdriver

Tools recommended for assembly : Level

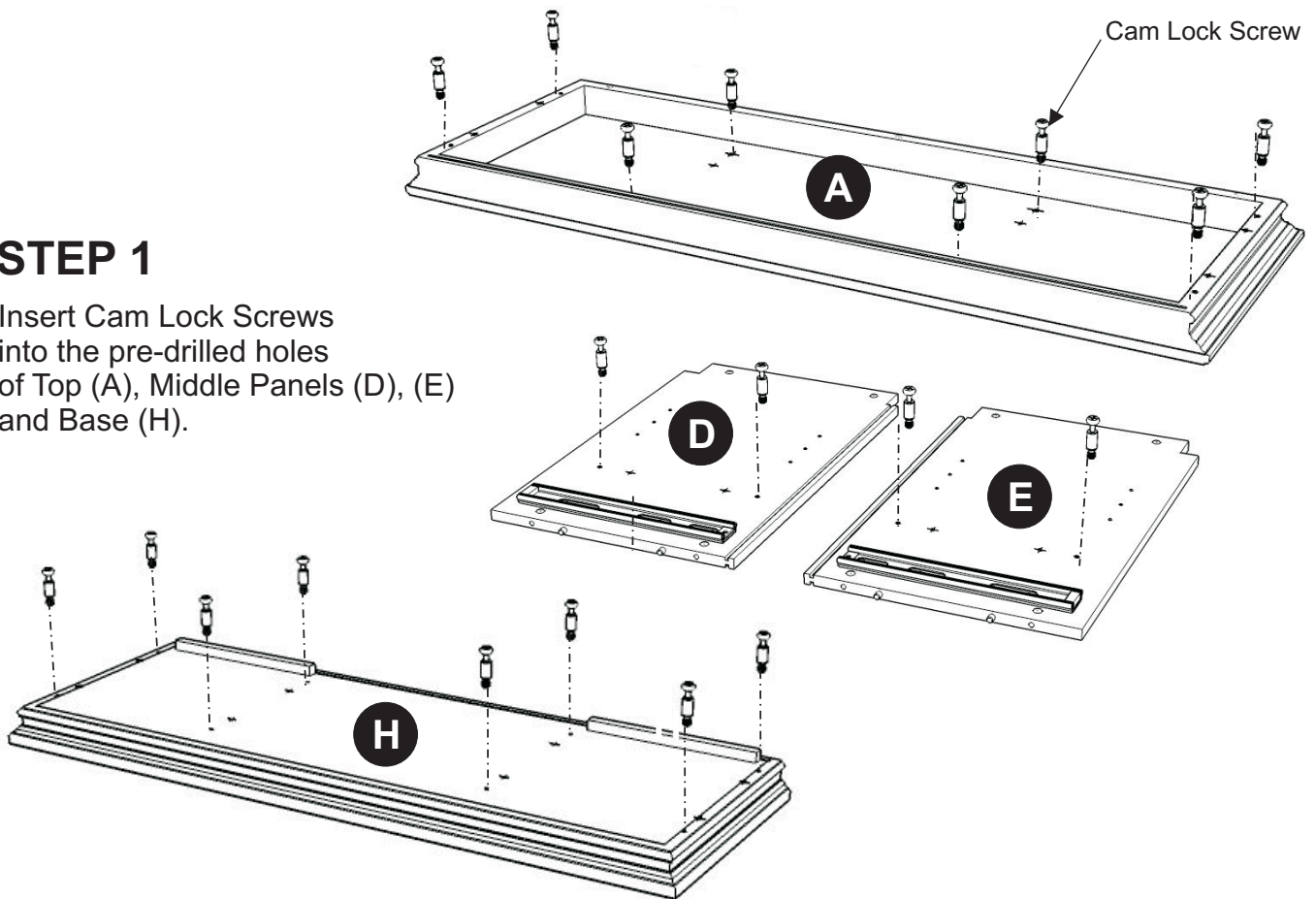
Home Styles Consumer Assistance Line 888-680-7460 and 877-831-0319  
[servicedesk@homestyles-furniture.com](mailto:servicedesk@homestyles-furniture.com)

**IMPORTANT**

- \* Do not tighten up all the screws until each part is properly assembled.
- \* You should keep Hex Wrench in a safe place as you may need to tighten up the Head Cap Bolts in the future.
- \* After assembly, item must be level to work properly. Use the included adjustable levelers to level.

## STEP 1

Insert Cam Lock Screws into the pre-drilled holes of Top (A), Middle Panels (D), (E) and Base (H).



## STEP 2

Attach Fixed Shelf (F) to Middle Panels (D) and (E) with Cam Locks. (See figure 1)

Slide Back Panel (G) into position.

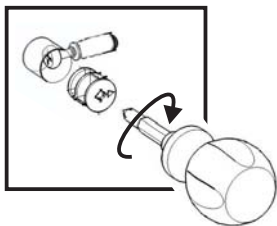
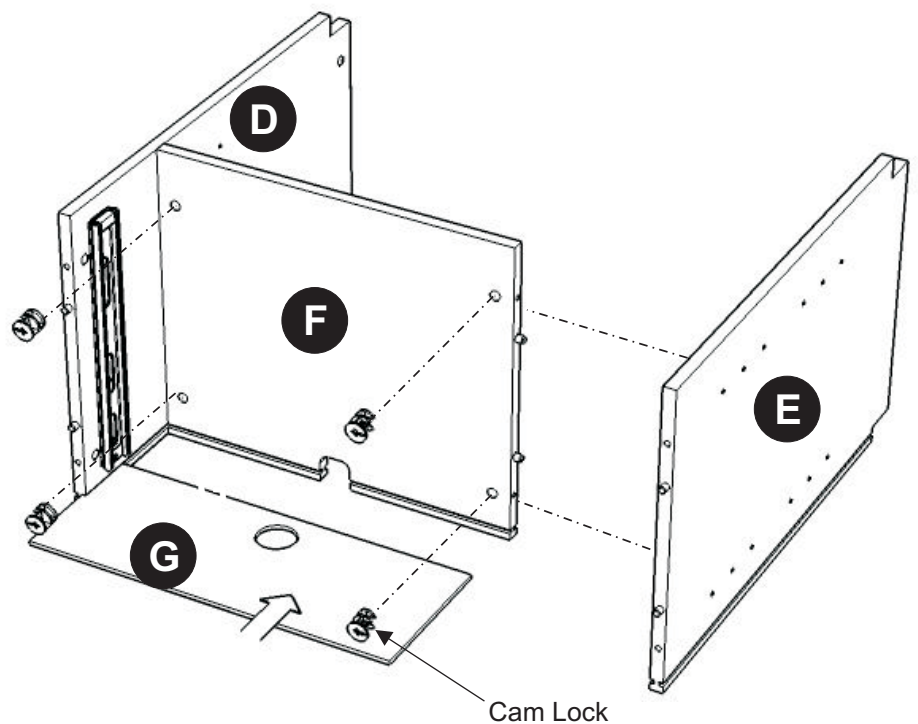


Figure 1



## STEP 3

Attach Base (H) to the unit with Cam Locks.

Attach Side Panel (B) and (C) to the unit with Cam Locks.

Attach Legs (I) to the unit with Head Cap Bolts. (see Figure 2)

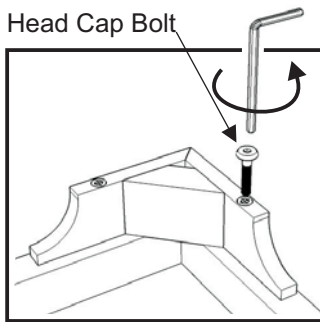
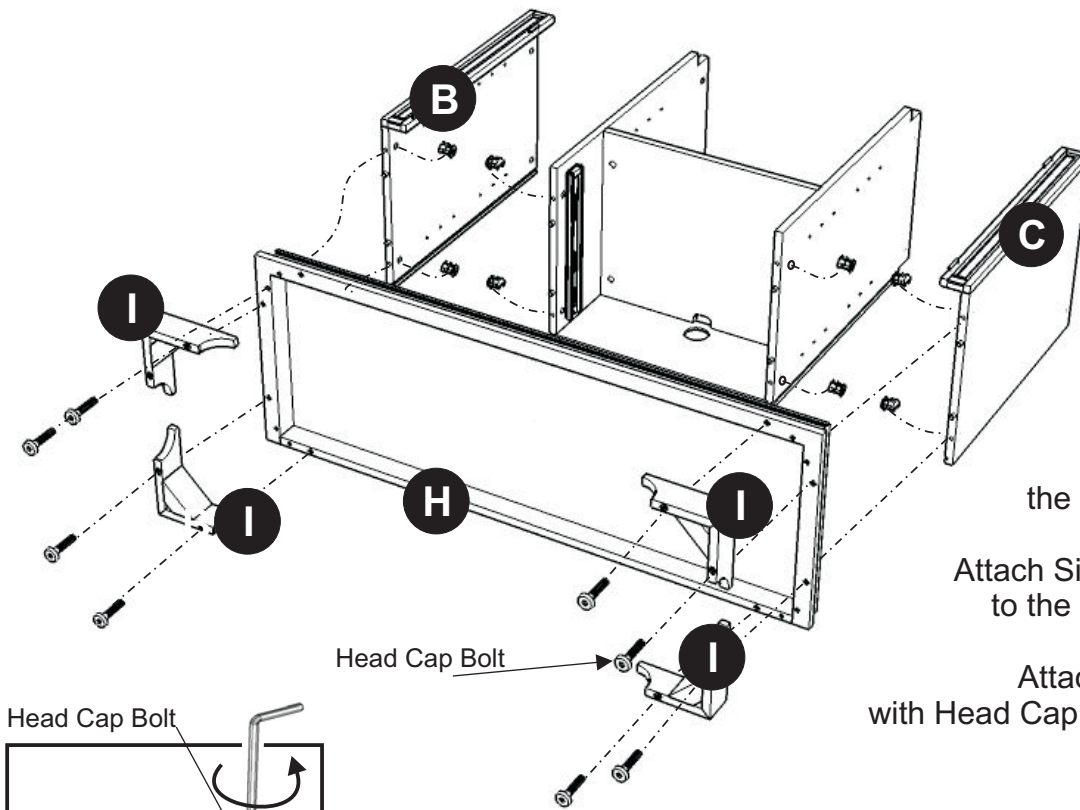


Figure 2

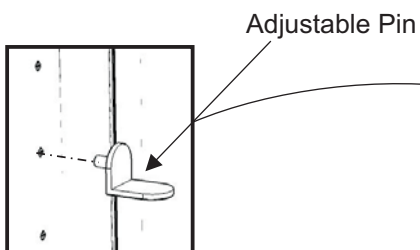


Figure 3

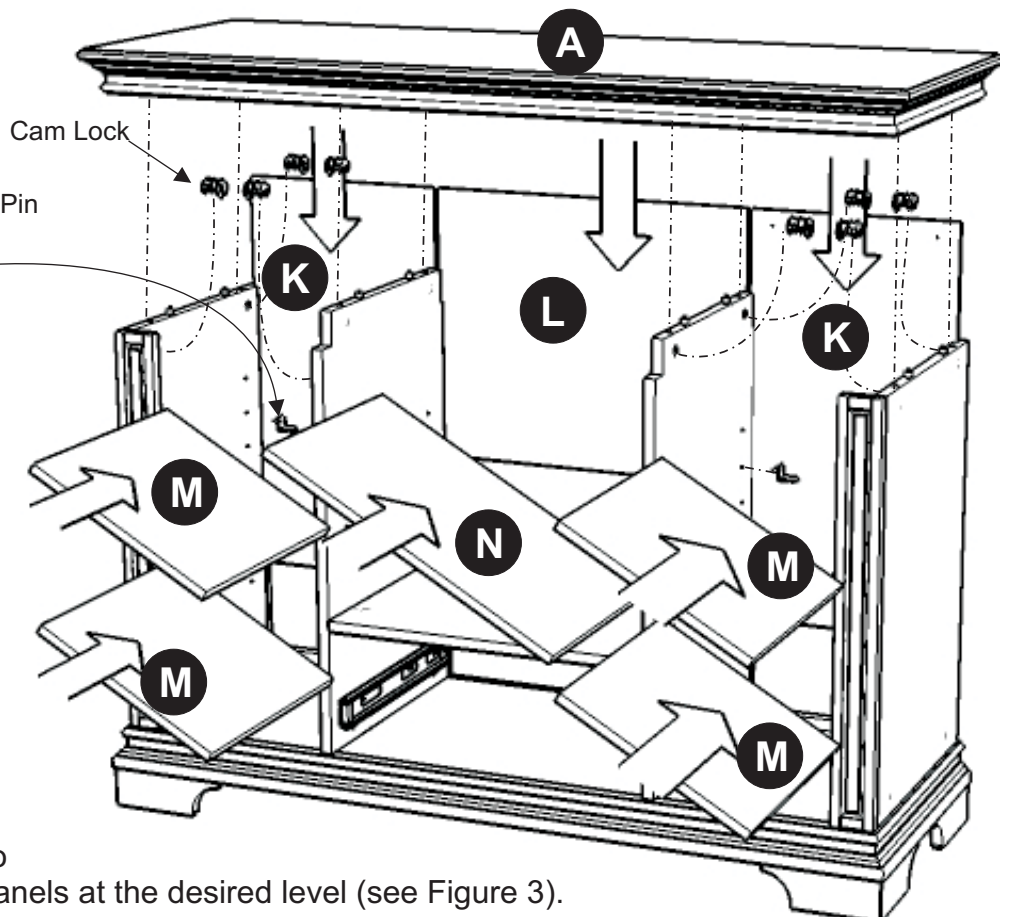
## STEP 4

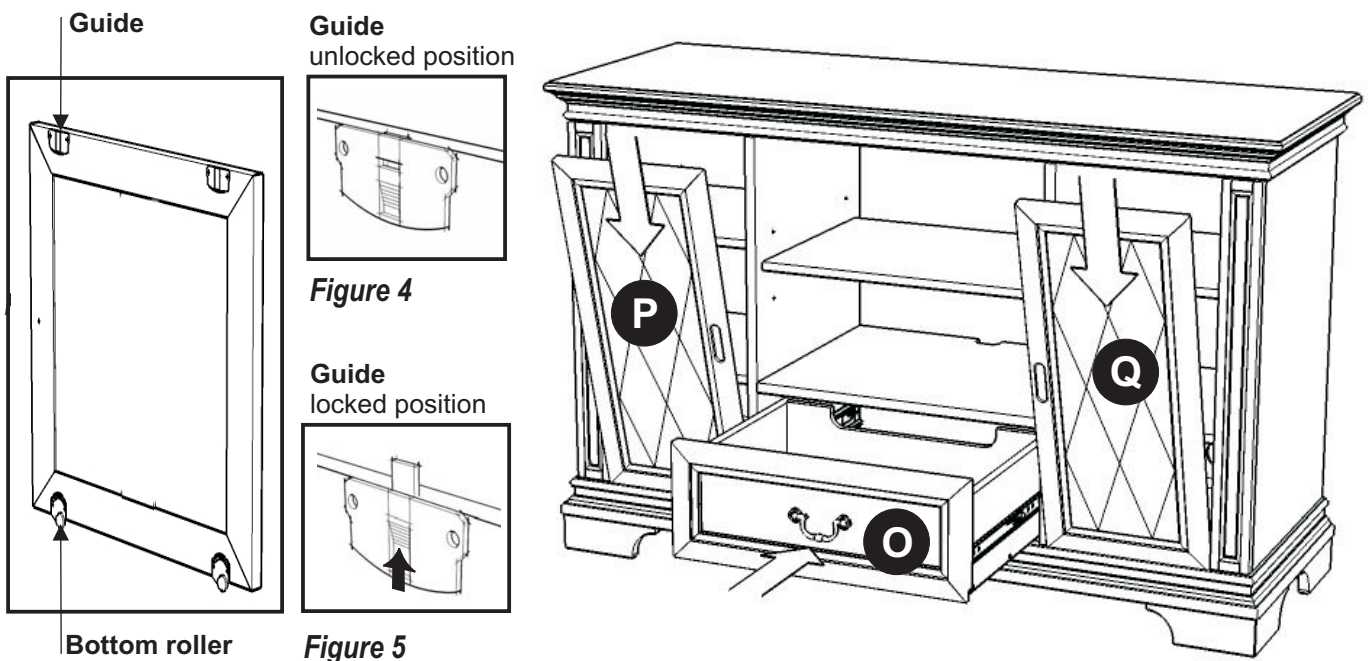
Slide Back Panels (K) and (L) into place.

Place Top (A) onto the unit, using Cam Locks.

Insert Adjustable Pins into side panels and middle panels at the desired level (see Figure 3).

Place Shelves (M) and (N) into position.





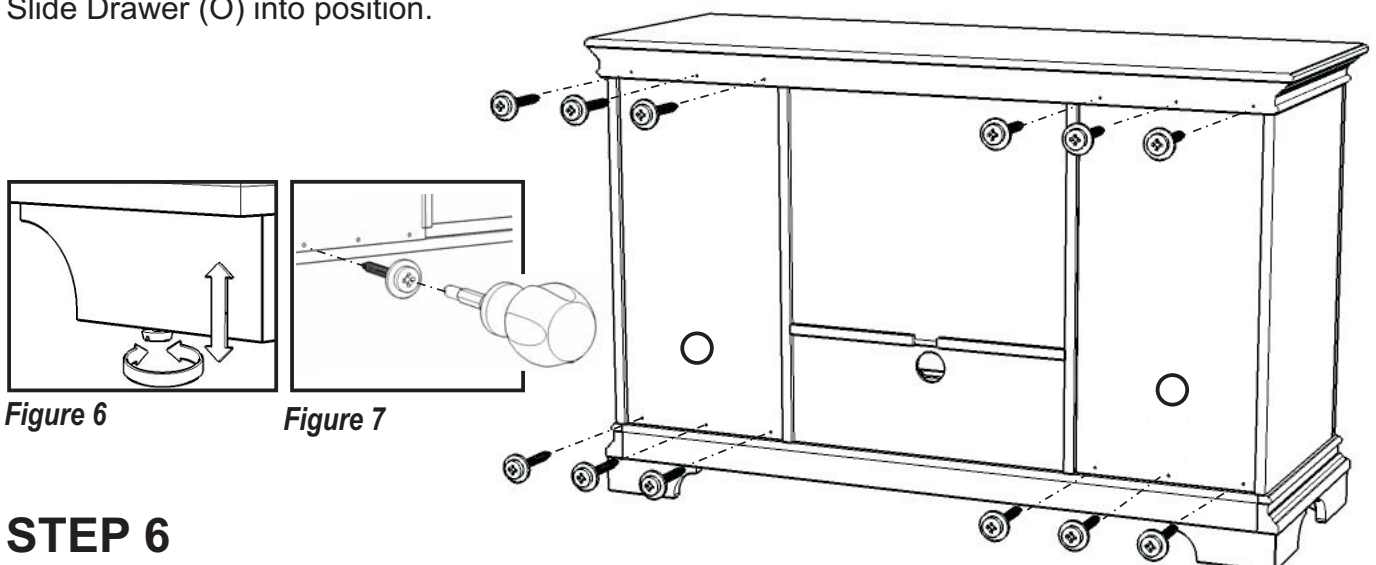
## STEP 5

Before installing the doors, make sure the door Guides are in the unlocked position. (See figure 4)

Place the bottom rollers of Door (P) in the bottom groove, then align top of the door with the upper groove and push up the lock tabs of the Guides. (See figure 5)

Place the bottom rollers of Door (Q) in the bottom groove, then align top of the door with the upper groove and push up the lock tabs of the Guides. (See figure 5)

Slide Drawer (O) into position.



## STEP 6

To level the unit, adjust the adjustable levelers on the bottom of legs. (See figure 6)

Insert 12X Wood Screws from the back of the unit, tighten up all the Wood Screws. (see Figure 7)

**Note: Please make sure unit is level before tightening these screws.**

# Drawer (O)

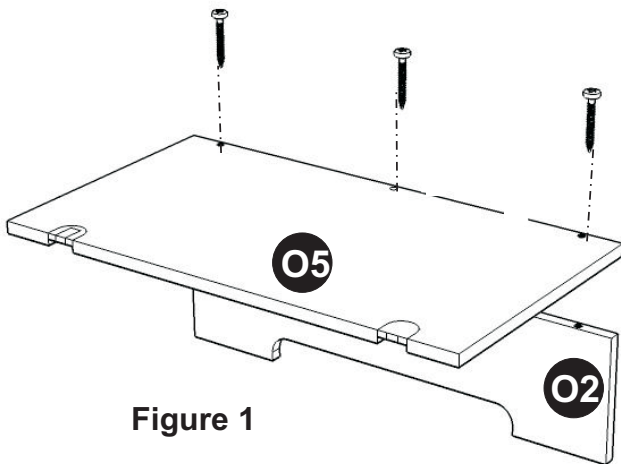
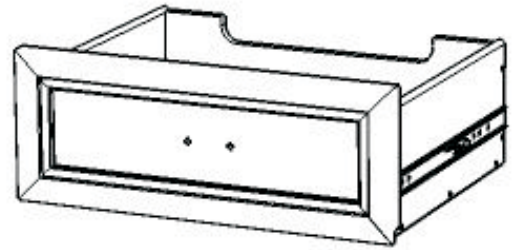


Figure 1

## STEP 1

Attach O2 to O5, using a Phillips screwdriver and long wood screws (4X), tighten halfway. (see Figure 1)

## STEP 2

Attach O3 and O4 to the unit with long wood screws (10X), tighten halfway.

Attach O1 to O5 with short wood screws (6X). (see Figure 2)

**Tighten all screws used in drawer assembly.**

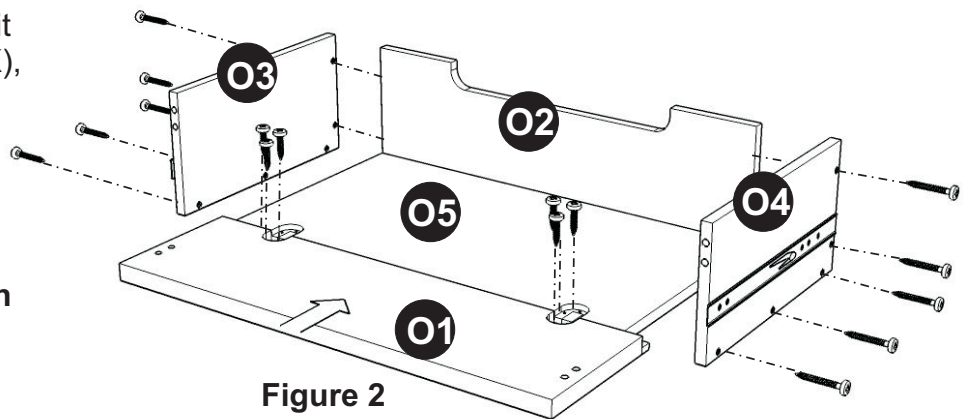


Figure 2

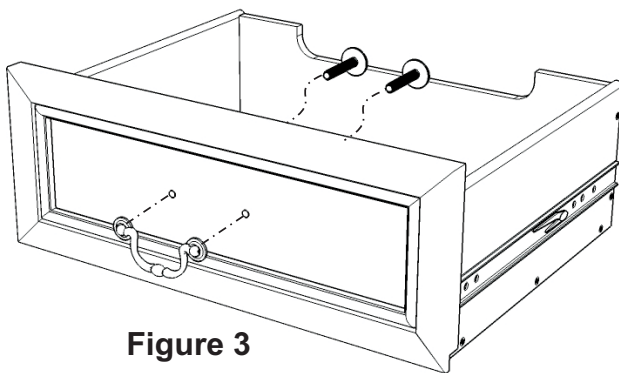


Figure 3

## STEP 3

Assemble Pull Handle with machine screws. (see Figure 3)

## Part List



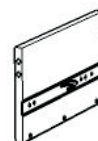
O1.  
Front Part  
1 pc.



O2.  
Back Part  
1 pc.



O3.  
Side Part  
1 pc.



O4.  
Side Part  
1 pc.



O5.  
Base Part  
1 pc.