

88 5554 32 48" Round Dining Table (Black Finish)

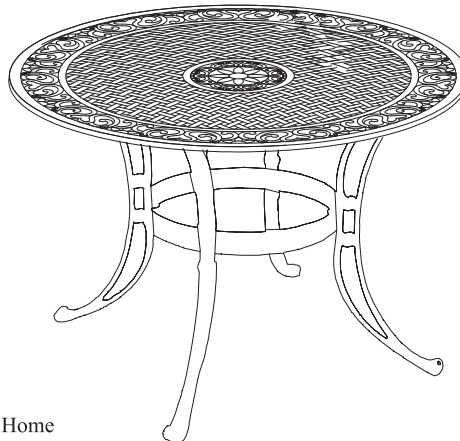
IMPORTANT NOTE

Carefully remove all the parts from the carton and put them individually on a soft cloth to prevent scratches or other damages occurring to the wood parts.



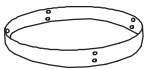





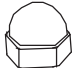
We have taken great care in the design of this product and request that you carefully and strictly follow our assembly instructions to ensure a completed product as it was designed.



Casual Attire For Today's Home



Part List Hardware List

| | |
|--|---|
|  A. Top 1 pc.  B. Leg 4 pcs.  C. Stretcher 1 pc. |  Key Wrench 1 pc.  Spring Washer 16 pcs.(+1 extra)  Nut 16 pcs.(+1 extra)  Bolt 8 pcs.(+1 extra)  Flat Washer 16 pcs.(+1 extra)  Nut Cap 16 pcs.(+1 extra) |
|--|---|

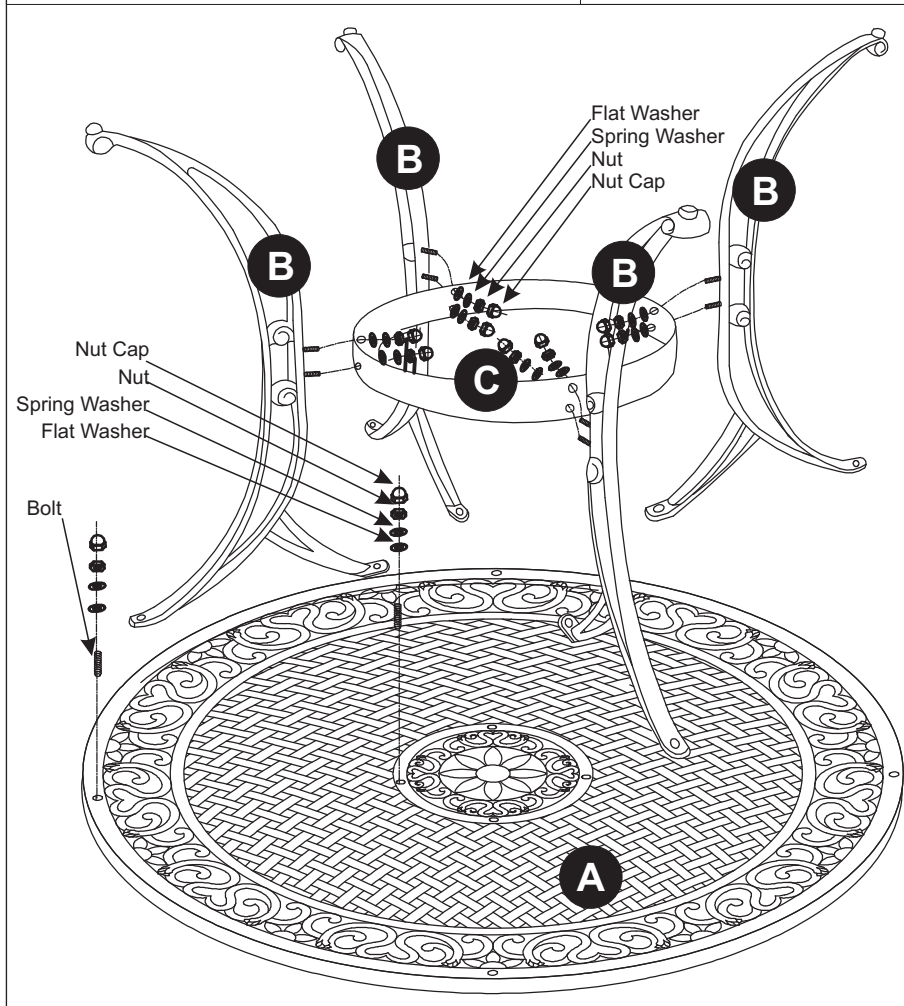


Table Assembly

Place Top (A) upside down on a soft cloth.

Insert all Bolts into the pre-drilled holes of Top (A).

Attach 2 adjacent Legs (B) to Top (A) with Flat Washers, Spring Washers, and Nuts.

Tighten all Nuts, only half way, with Key Wrench.

Attach Stretcher (C) to unit with Flat Washers, Spring Washers and Nuts, tighten half way.

Attach 2X Legs (B) to unit with Flat Washers, Spring Washers and Nuts.

Tighten all Nuts completely with Key Wrench.

Cover all Nuts with Nut Caps.

Turn the table to it's upright position.



Please keep the Key Wrench as you may need to retighten the Bolts in the future.