

88 5539 100 Omni Compact TV Credenza

IMPORTANT NOTE

Carefully remove all the parts from the carton and put them individually on a soft cloth to prevent scratches or other damages occurring to the wood parts.

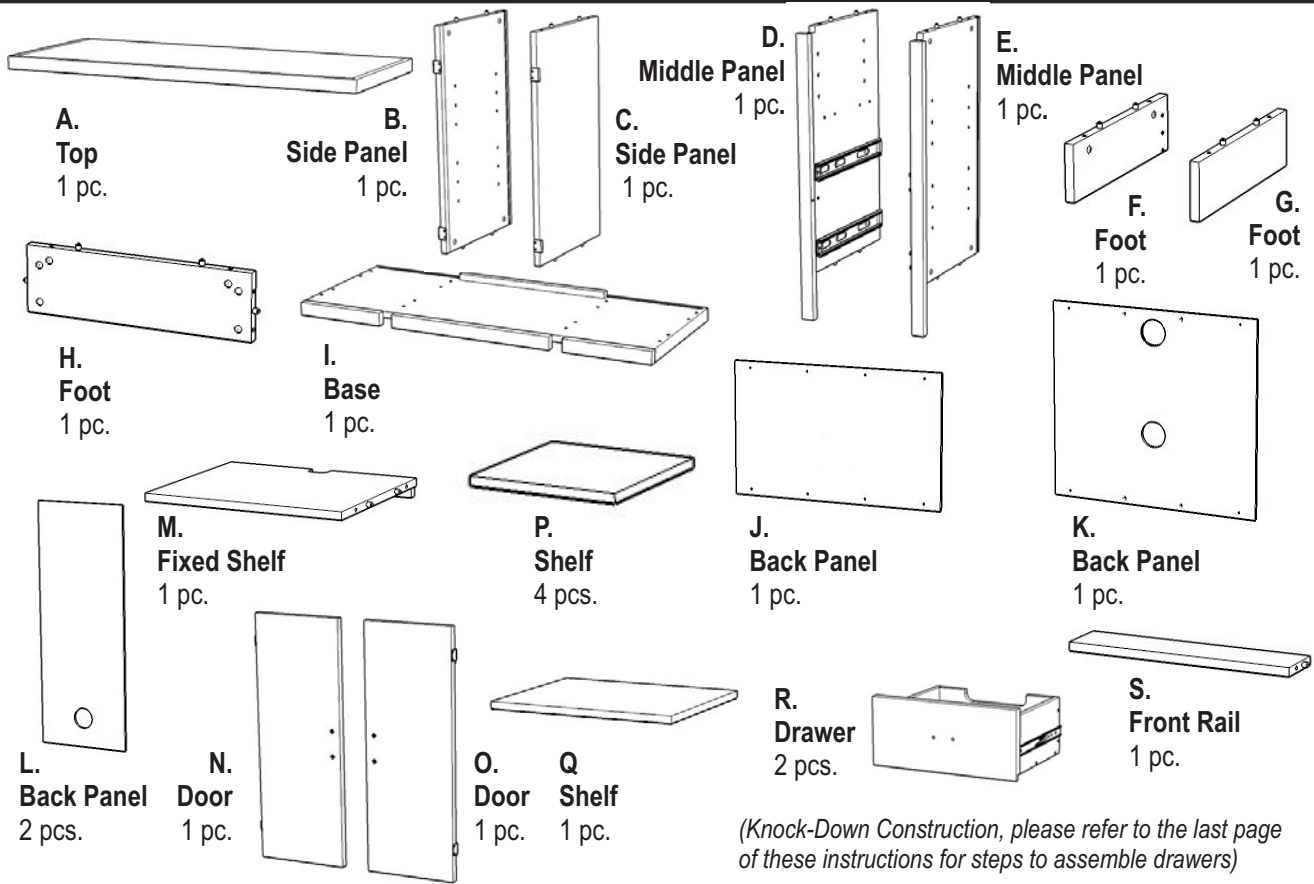
We have taken great care in the design of this product and request that you carefully and strictly follow our assembly instructions to ensure a completed product as it was designed.



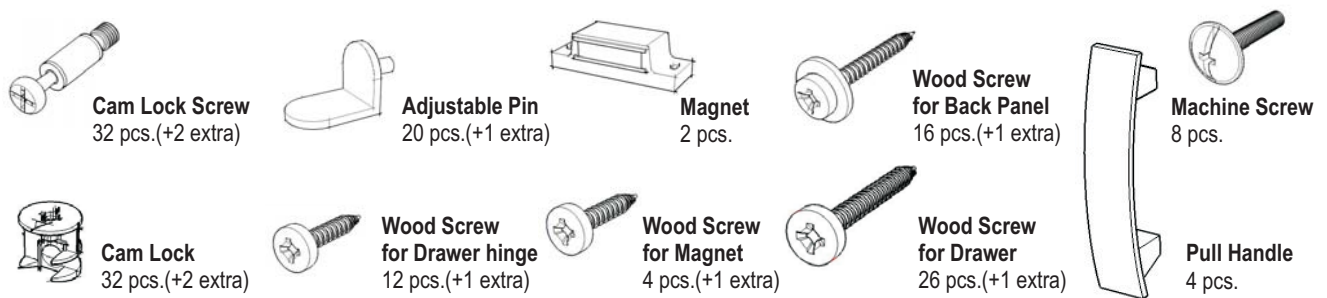
Casual Attire For Today's Home



Part List



Hardware List

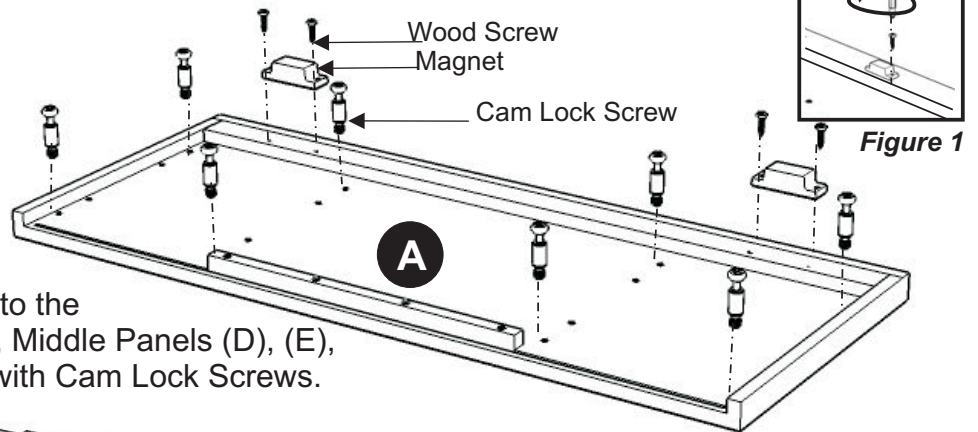


Tools required for assembly: **Phillips** screwdriver

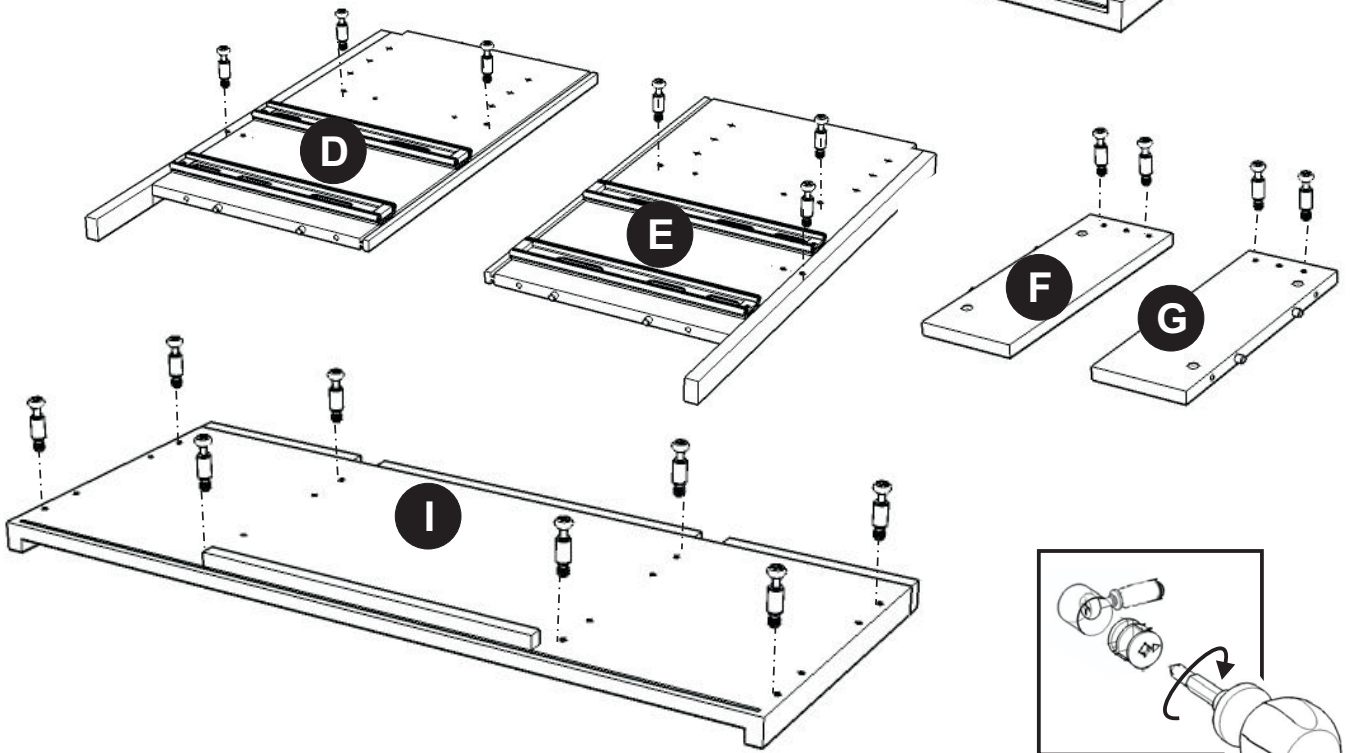
Home Styles Consumer Assistance Line 888-680-7460 and 877-831-0319
servicedesk@homestyles-furniture.com

STEP 1

Attach 2X Magnets to Top (A) by using Wood Screws in the pre-drilled holes (see Figure 1).



Insert Cam Lock Screws into the pre-drilled holes of Top (A), Middle Panels (D), (E), Feet (F), (G) and Base (I) with Cam Lock Screws.

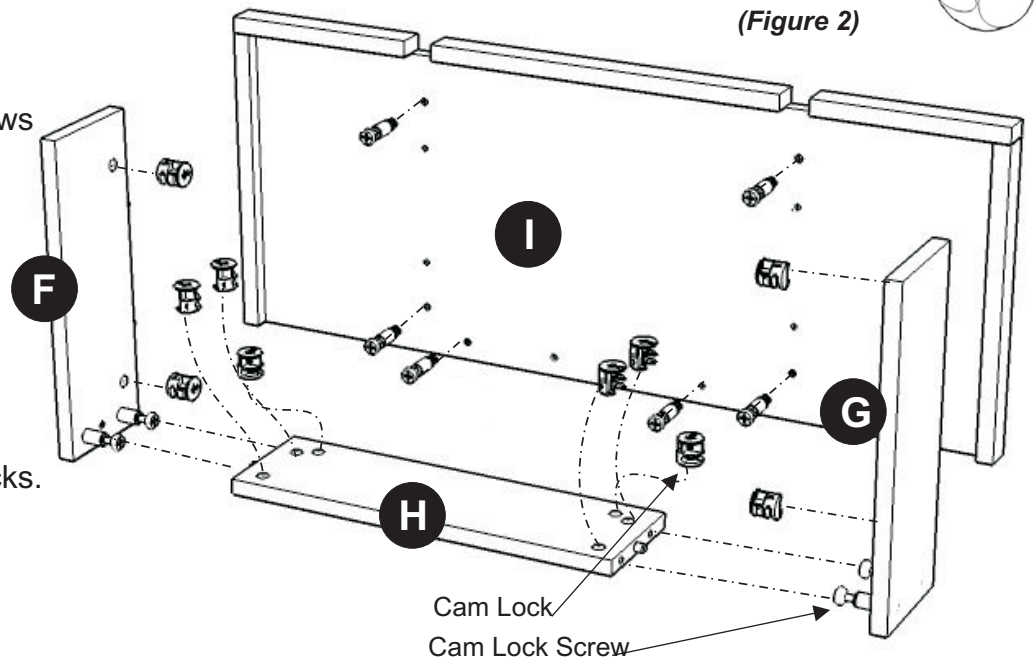


STEP 2

Insert Cam Lock Screws into the pre-drilled holes of Base (I).

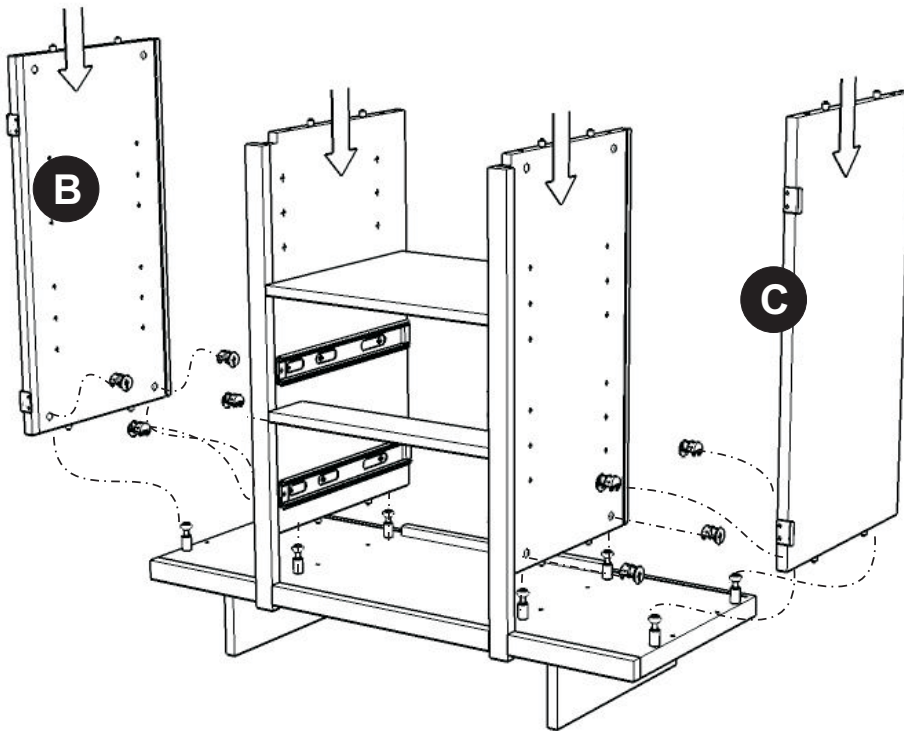
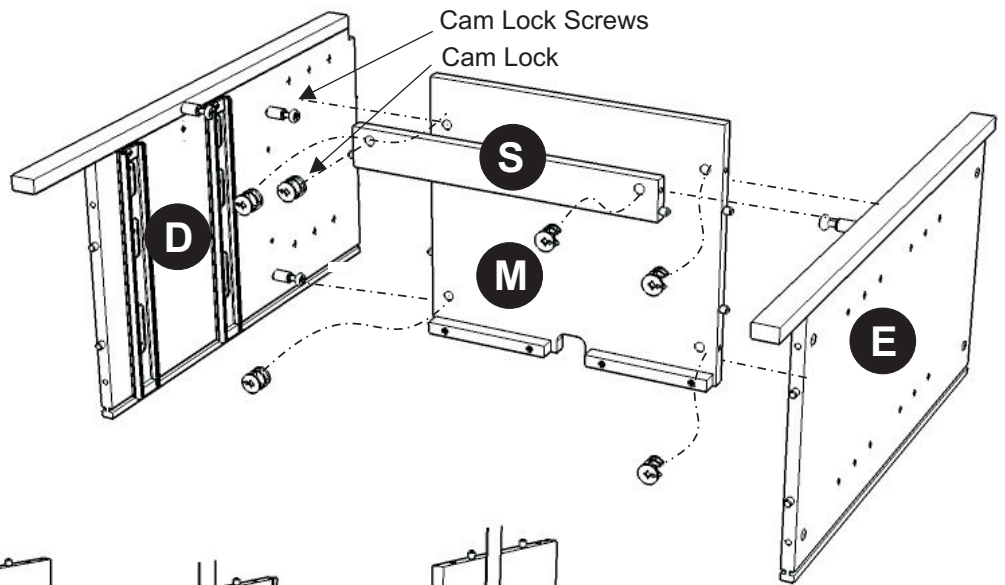
Assemble Foot (F), (G) and (H) with Cam Locks (see Figure 2).

Attach Foot unit to Base (I) with Cam Locks.



STEP 3

Assemble Middle Panels (D) and (E) with Fixed Shelf (M) and Front Rail (S), using Cam Locks.

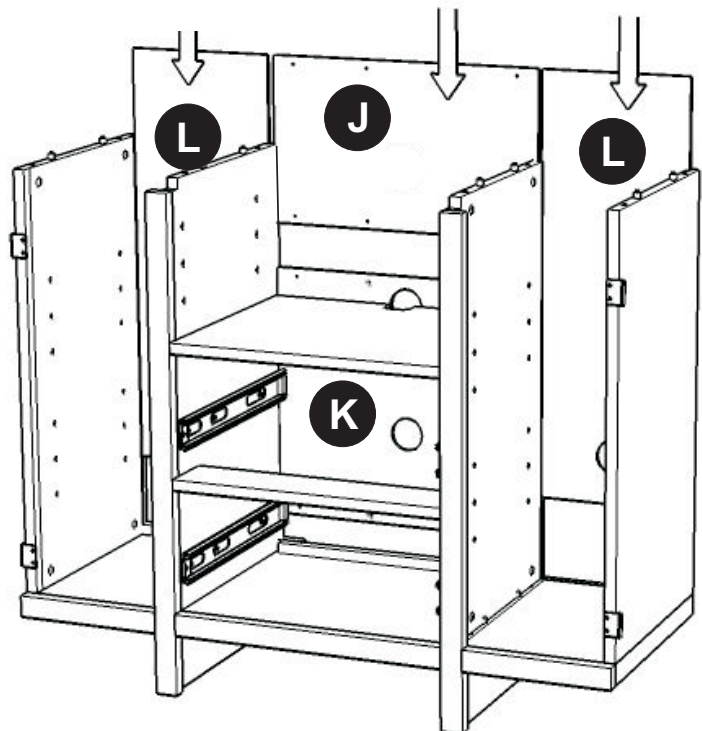


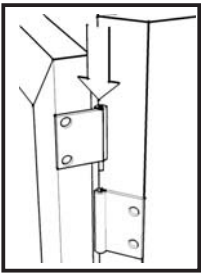
STEP 4

Attach Middle Panel unit and Side Panels (B) and (C) to base unit in Step 2 with Cam Locks.

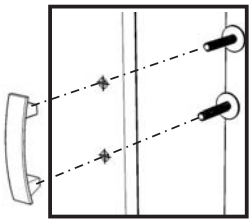
STEP 5

Slide Back Panels (J), (K) and (L) into position.

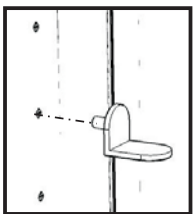




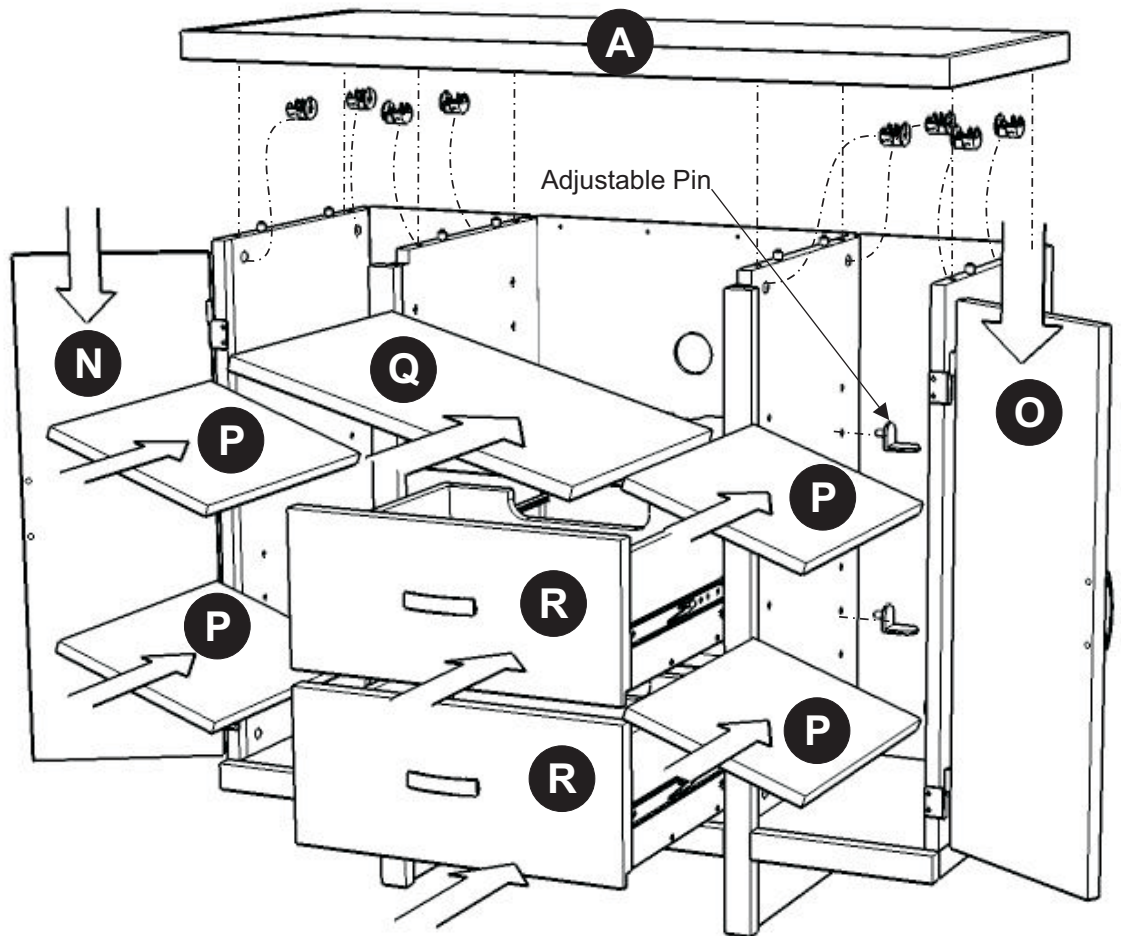
(Figure 3)



(Figure 4)



(Figure 5)



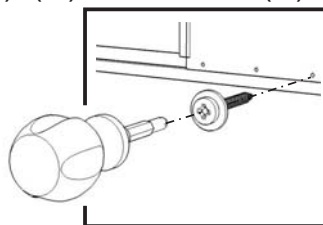
STEP 6

Attach Doors (N) and (O) by sliding the door lift hinges into the side panels lift hinges. (See figure 3)

Assemble Pull Handles to Doors with Machine Screws. (See figure 4)

Place Top (A) onto the unit with Cam Locks, then insert Adjustable Pins into side panels and middle panels at the desired level. (See figure 5)

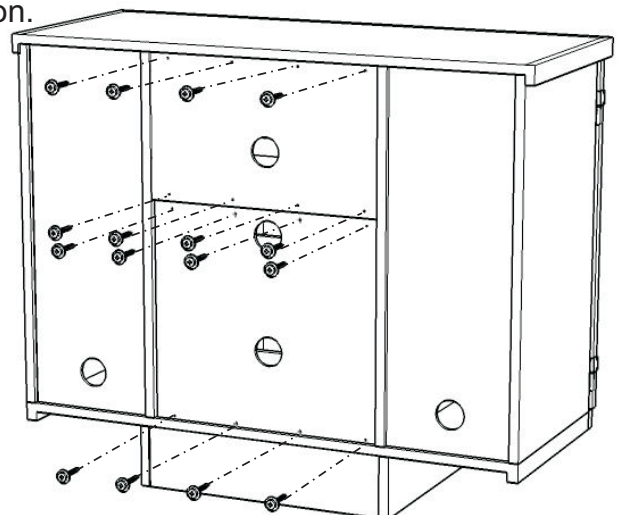
Place Shelves (P), (Q) and Drawer (R) into position.



(Figure 6)

STEP 7

Insert 16X Wood Screws from the back of the unit, tighten up all the Wood Screws. (See figure 5)



Note: Please make sure unit is level before tightening these screws.

Drawer (R)

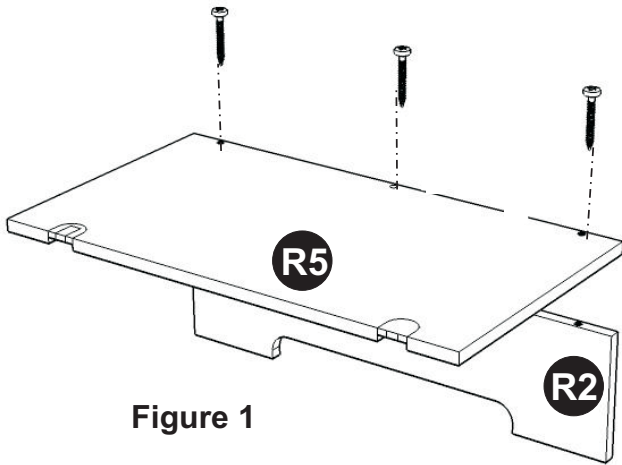
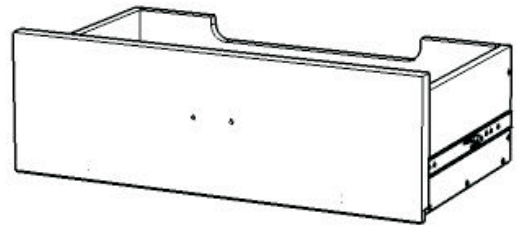


Figure 1



STEP 1

Attach R2 to R5, using a Phillips screwdriver and long wood screws (4X), tighten halfway. (see Figure 1)

STEP 2

Attach R3 and R4 to the unit with long wood screws (10X), tighten halfway.

Attach R1 to R5 with short wood screws (6X). (see Figure 2)

Tighten all screws used in drawer assembly.

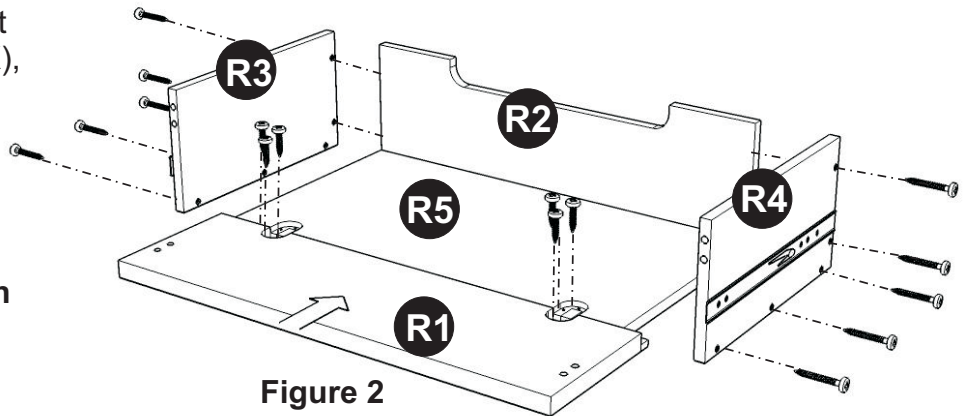


Figure 2

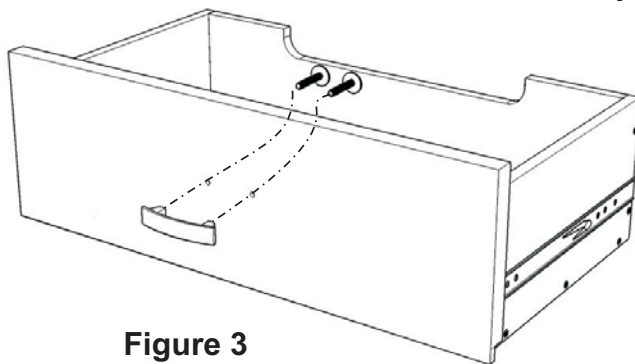


Figure 3

STEP 3

Assemble Pull Handle with machine screws. (see Figure 3)

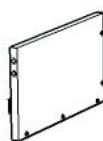
Part List



R1.
Front Part
2 pcs.



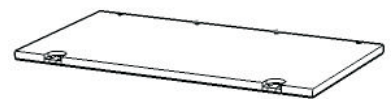
R2.
Back Part
2 pcs.



R3.
Side Part
2 pcs.



R4.
Side Part
2 pcs.



R5.
Base Part
2 pcs.