

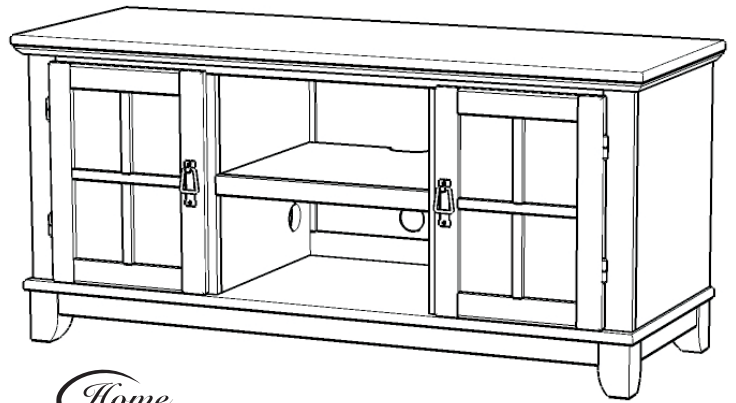
88 5180 12

Art & Crafts Center Console (Cottage Oak)

IMPORTANT NOTE

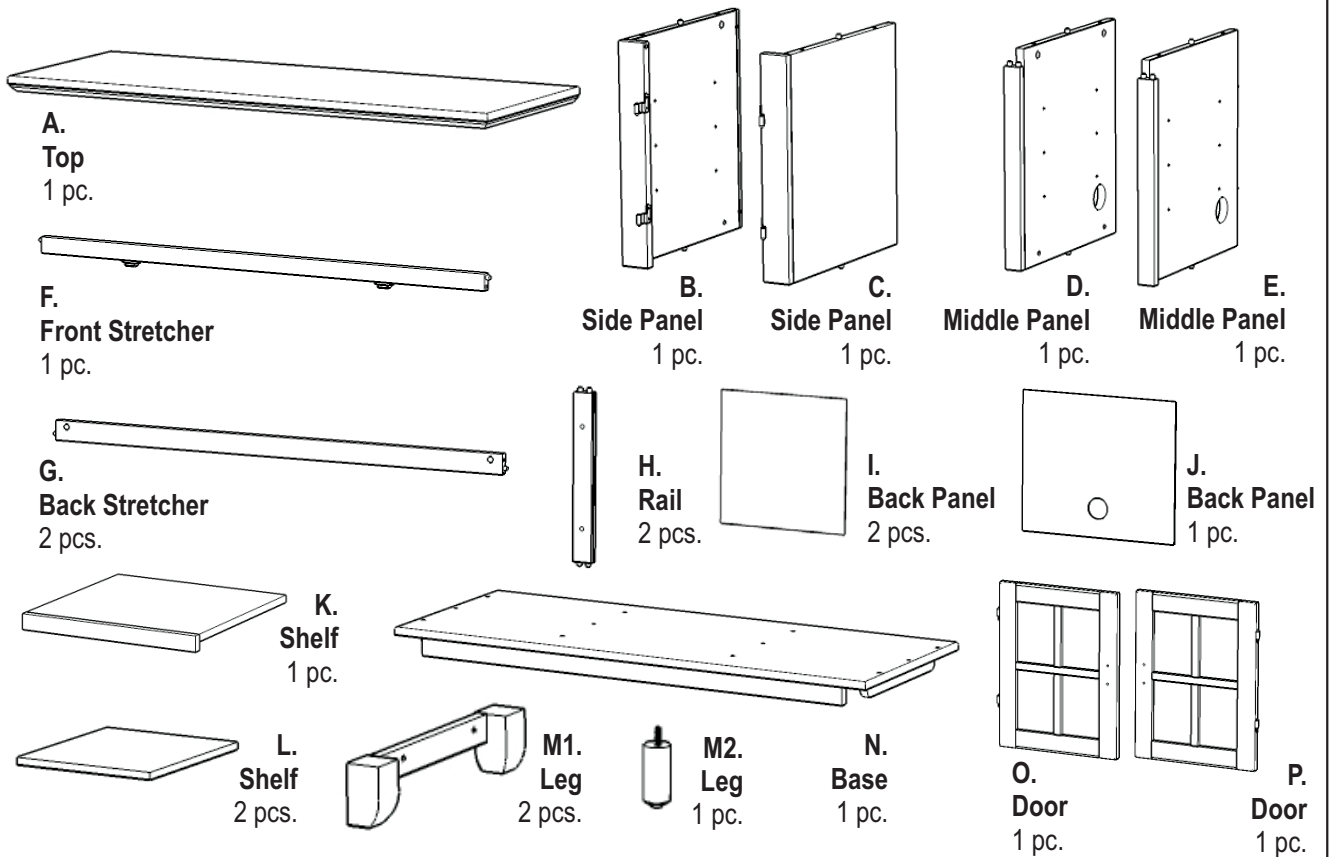
Carefully remove all the parts from the carton and put them individually on a soft cloth to prevent scratches or other damages occurring to the wood parts.

We have taken great care in the design of this product and request that you carefully and strictly follow our assembly instructions to ensure a completed product as it was designed.

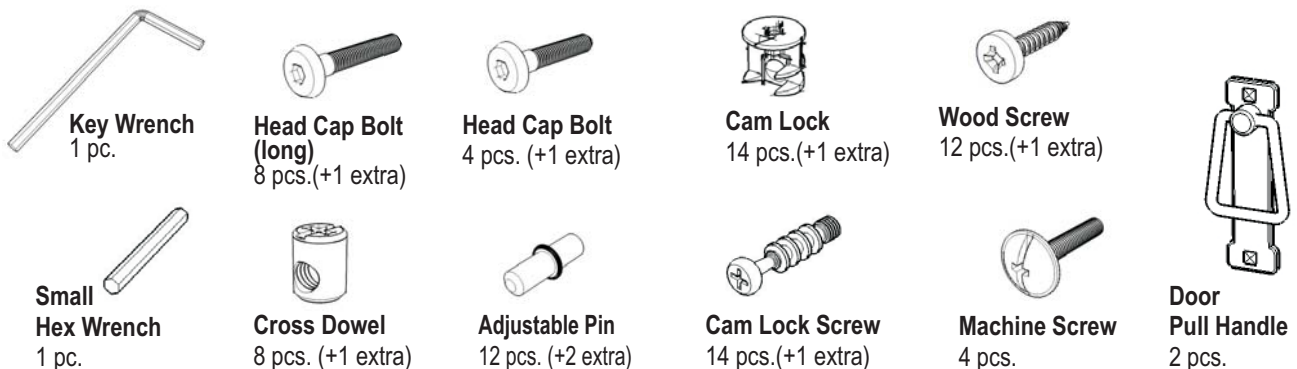


Casual Attire For Today's Home

Part List



Hardware List



Tools required for assembly : **Phillips** screwdriver

Home Styles Consumer Assistance Line 888-680-7460 and 877-831-0319
servicedesk@homestyles-furniture.com

Assembly Instructions 2/4

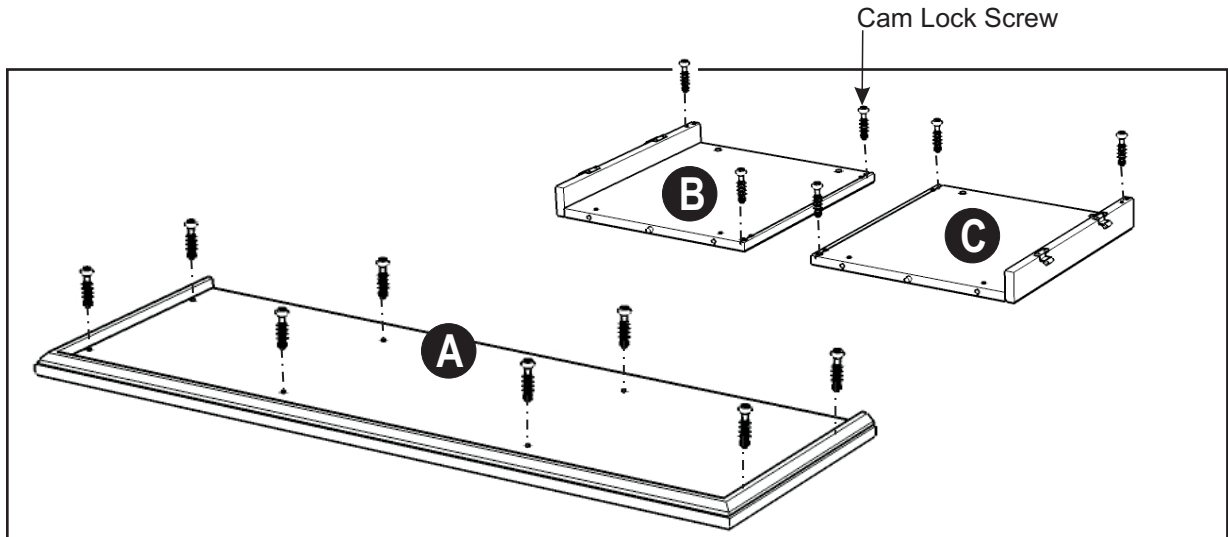
IMPORTANT

* Do not tighten up all the screws until each part is properly assembled.

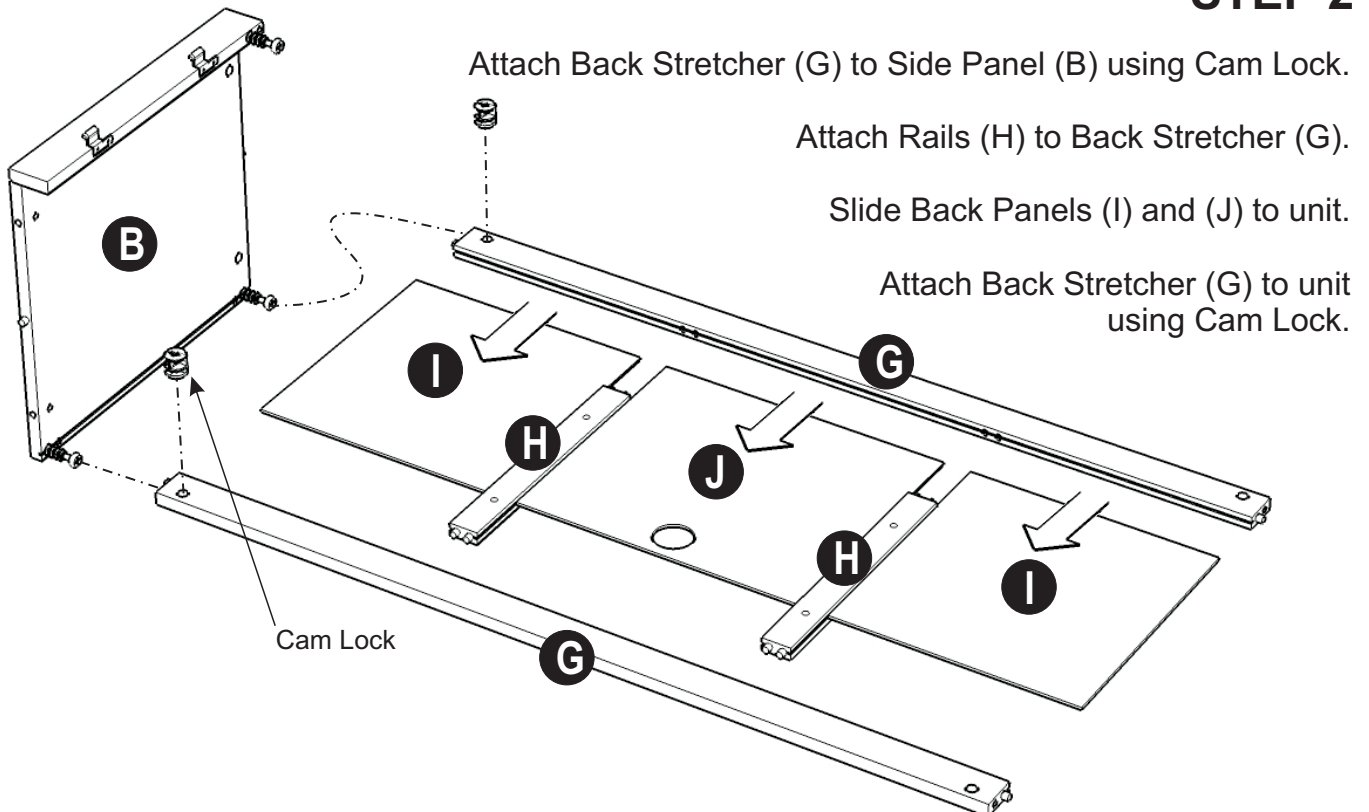
* You should keep Hex Wrench in a safe place as you may need to tighten up the Head Cap Bolts in the future.

STEP 1

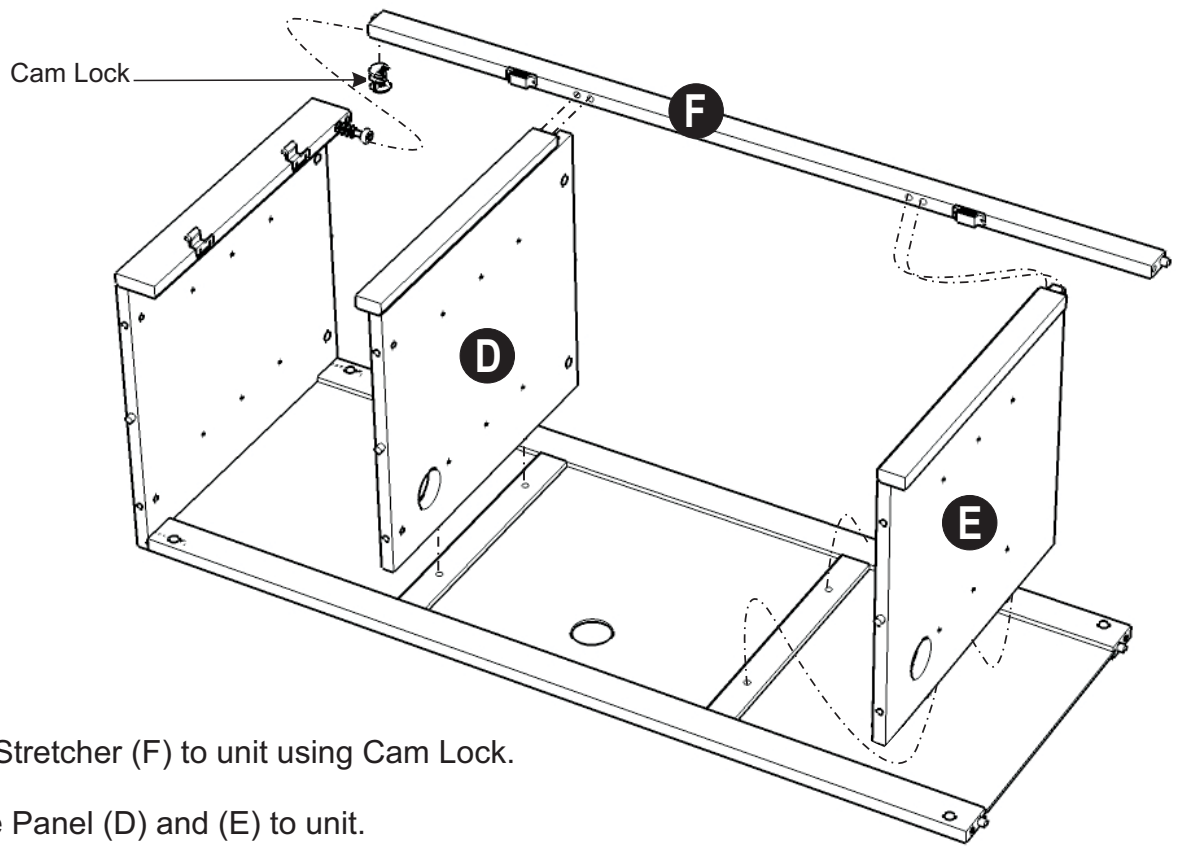
Put Cam Lock Screws into the pre-drilled holes of Top (A) Side Panel (B),(C) and tighten.



STEP 2



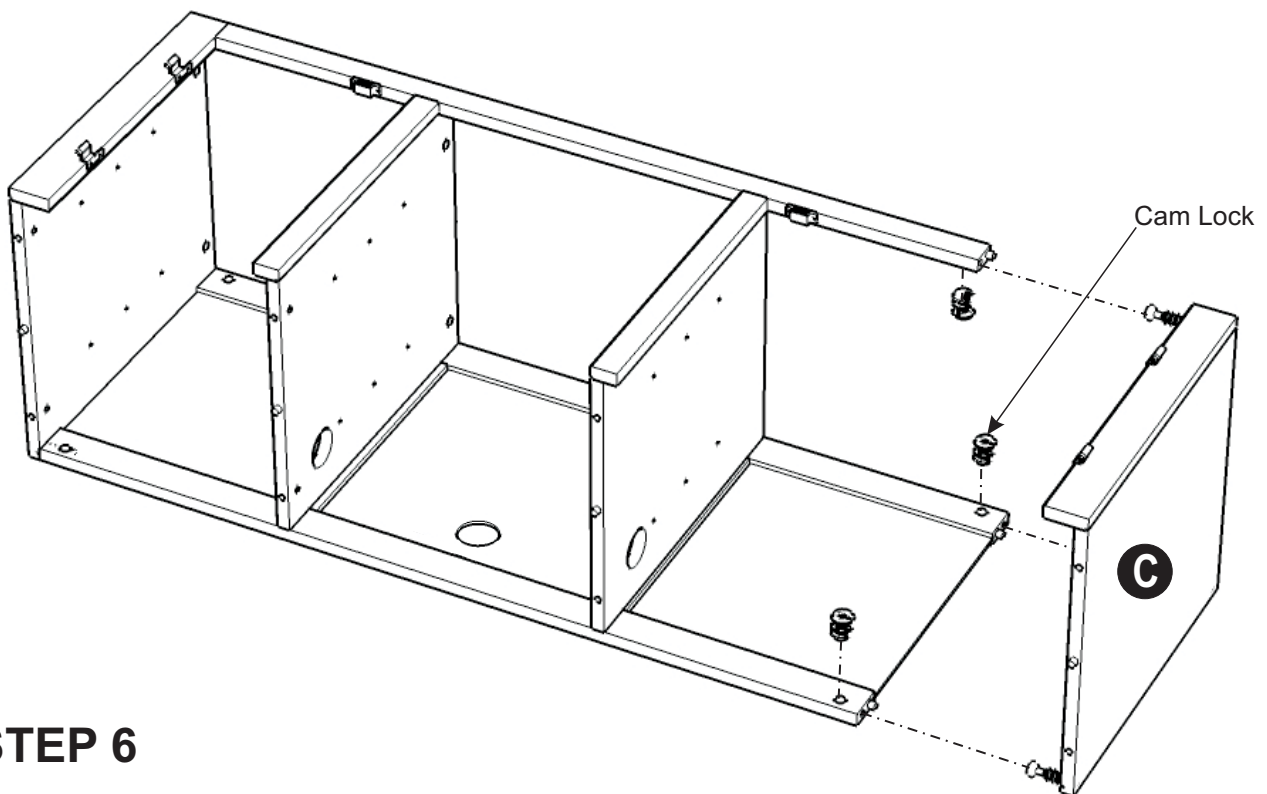
Assembly Instructions 3/4



STEP 5

Attach Front Stretcher (F) to unit using Cam Lock.

Attach Middle Panel (D) and (E) to unit.



STEP 6

Attach Side Panel (C) to unit using Cam Locks.

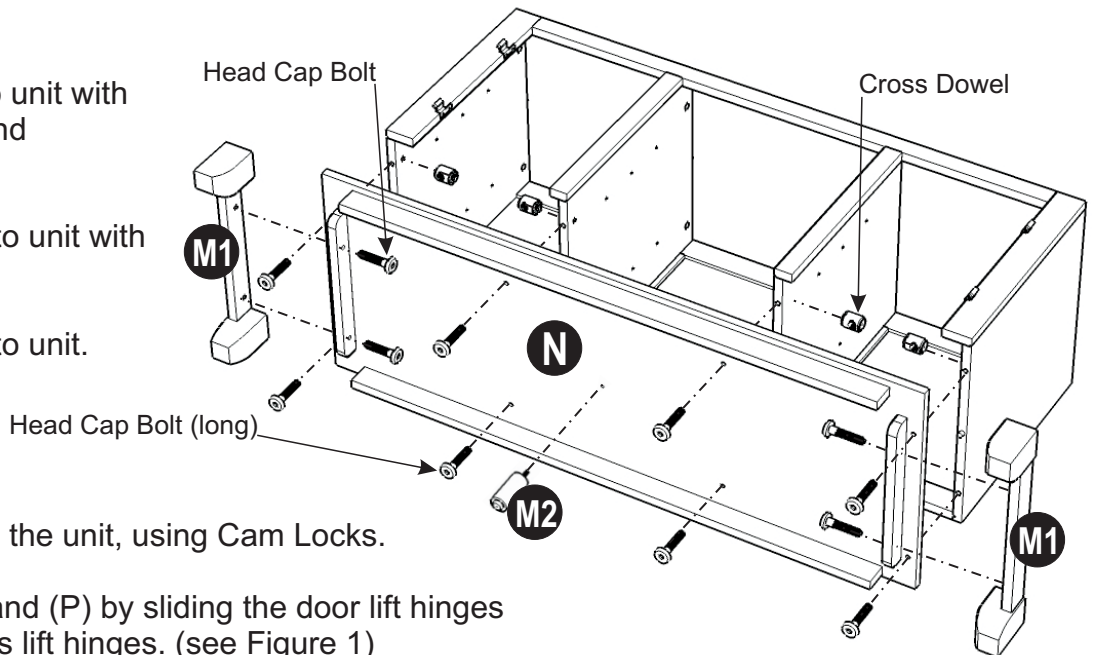
Assembly Instructions 4/4

STEP 7

Attach Base (N) to unit with Head Cap Bolts and Cross Dowels.

Attach Legs (M1) to unit with Head Cap Bolts.

Attach Legs (M2) to unit.



STEP 8

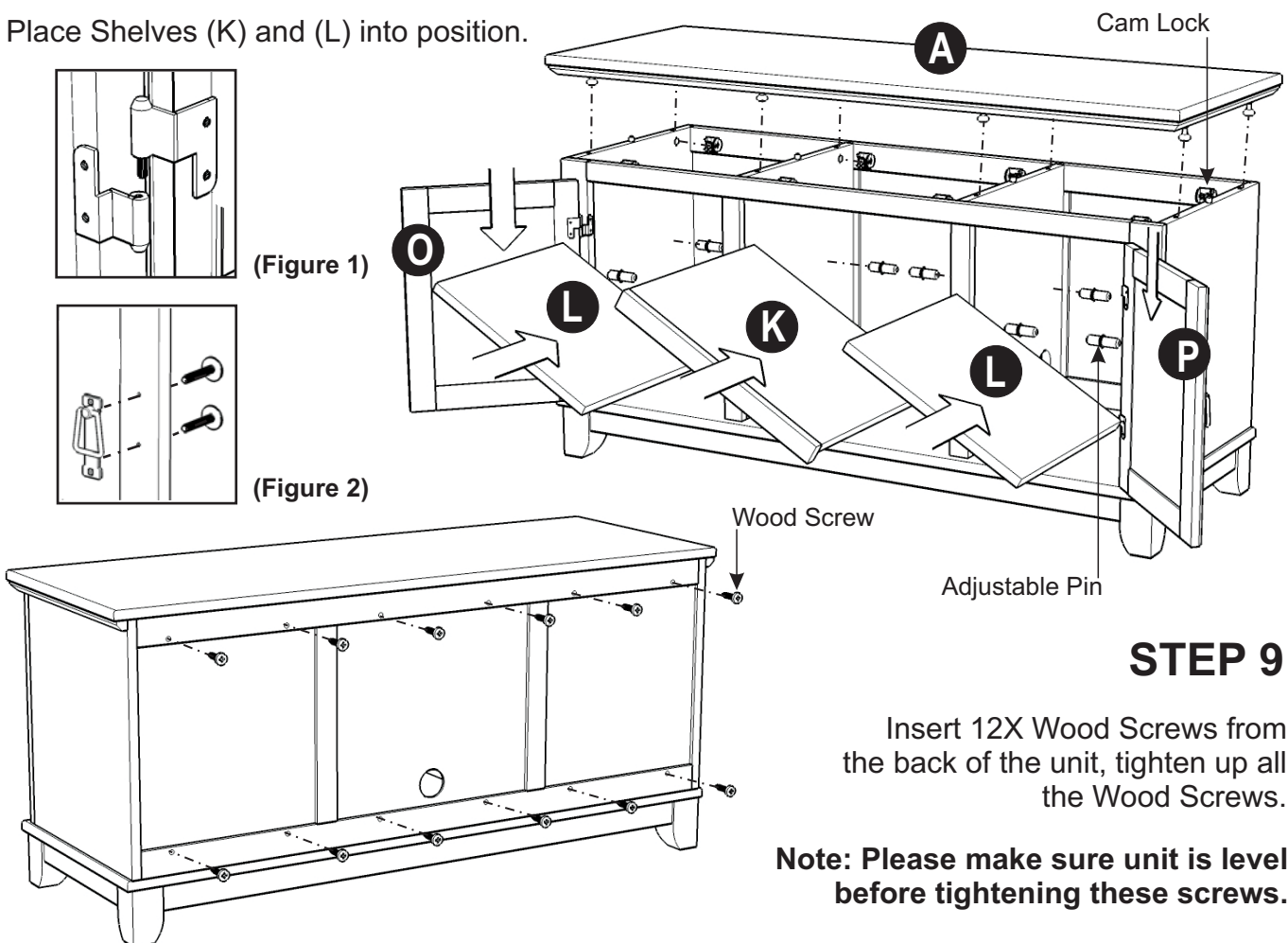
Place Top (A) onto the unit, using Cam Locks.

Attach Doors (O) and (P) by sliding the door lift hinges into the side panels lift hinges. (see Figure 1)

Assemble Pull Handles to Doors (O) and (P) with Machine Screws. (see Figure 2)

Insert Adjustable Pins into side panels and middle panels at the desired level.

Place Shelves (K) and (L) into position.



STEP 9

Insert 12X Wood Screws from the back of the unit, tighten up all the Wood Screws.

Note: Please make sure unit is level before tightening these screws.