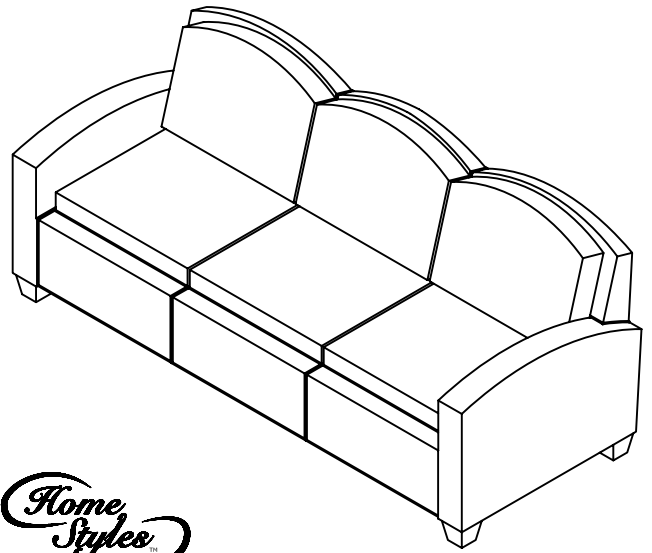


88 5401 60SBC Center Seat for Cabana Banana Seating (Honey Finish)



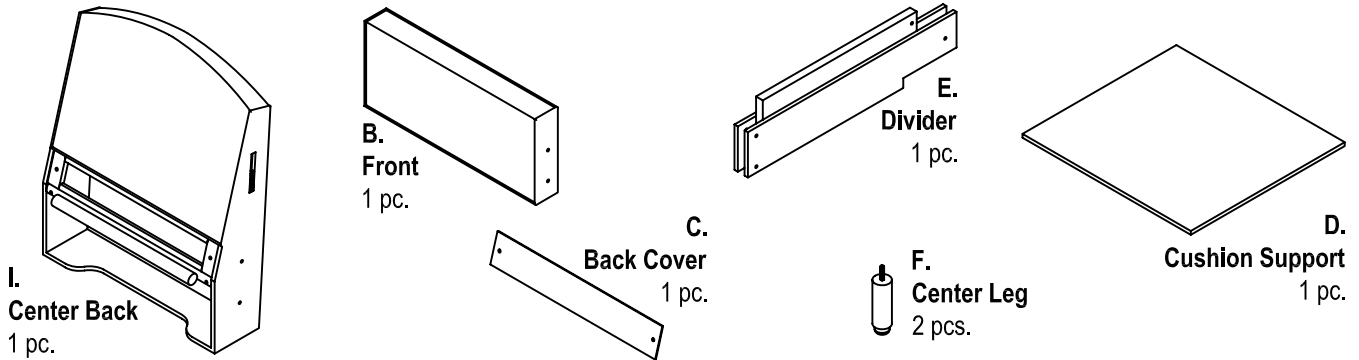
Casual Attire For Today's Home

IMPORTANT NOTE

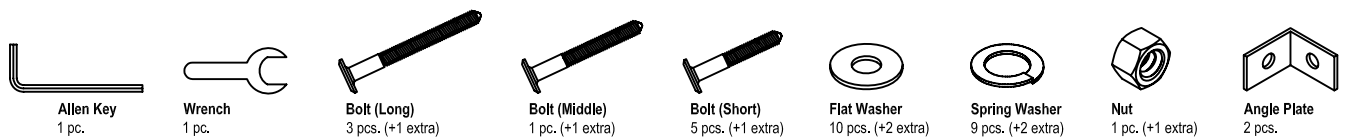
Carefully remove all the parts from the carton and put them individually on a soft cloth to prevent scratches or other damages occurring to the wood parts.

We have taken great care in the design of this product and request that you carefully and strictly follow our assembly instructions to ensure a completed product as it was designed.

Part List



Hardware List



For assembly also need the following:

88 5401 ARM Arm Carton Carton quantity: 1	88 5401 60LSB Left Side carton Carton quantity: 1
<p>Left Arm 1 pc.</p> <p>Right Arm 1 pc.</p>	<p>B. Front 1 pc.</p> <p>C. Back Cover 1 pc.</p> <p>D. Cushion Support 1 pc.</p> <p>G. Left Back 1 pc.</p>
88 5400 CUS Cushion Carton Carton quantity: 3	88 5401 60RSB Right Side carton Carton quantity: 1
<p>Back Cushion 2 pcs.</p> <p>Seat Cushion 2 pcs.</p>	<p>B. Front 1 pc.</p> <p>C. Back Cover 1 pc.</p> <p>E. Divider 1 pc.</p> <p>D. Cushion Support 1 pc.</p> <p>F. Center Leg 2 pcs.</p> <p>H. Right Back 1 pc.</p>

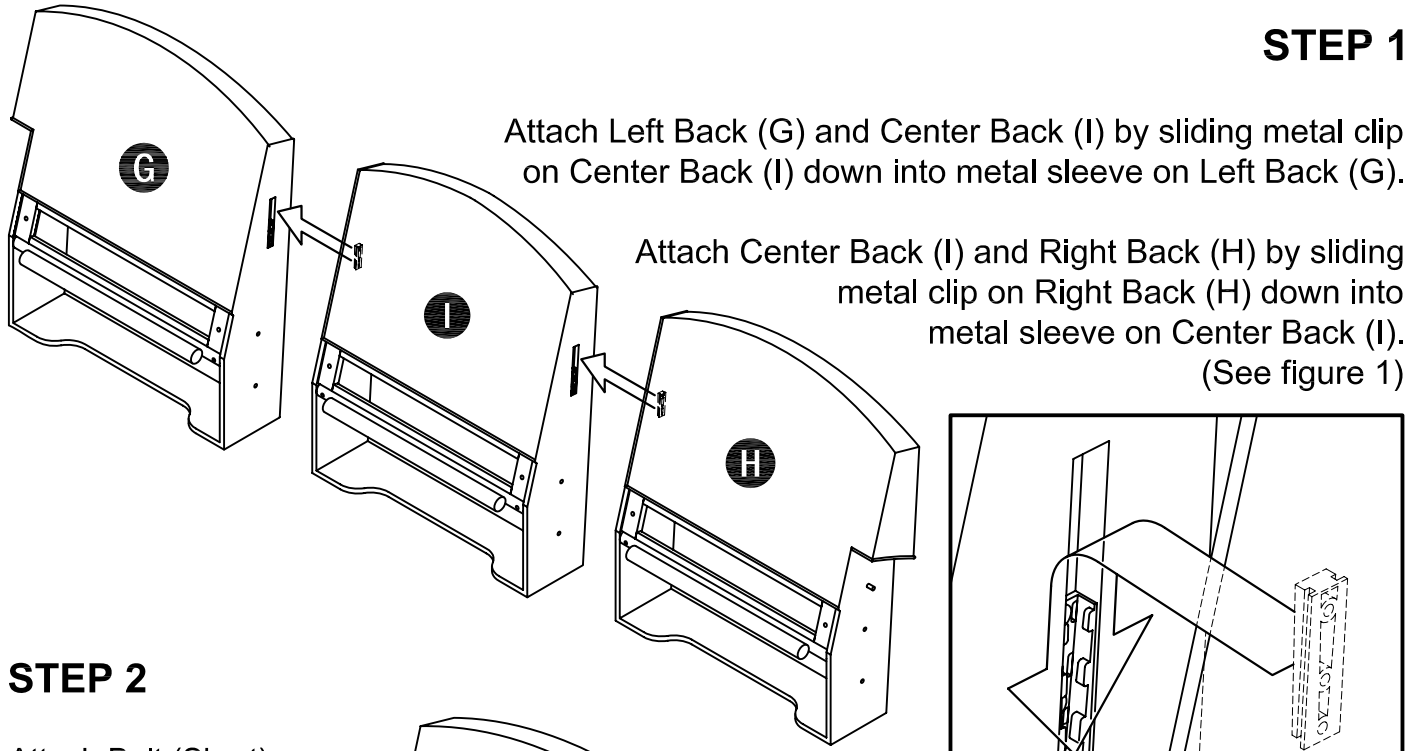
Home Styles Consumer Assistance Line 888-680-7460 and 877-831-0319
servicedesk@homestyles-furniture.com

Assembly Instructions 2/6

IMPORTANT

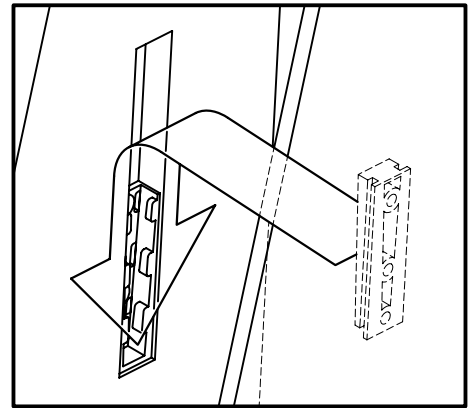
- * Do not tighten up all the bolts until each part is properly assembled.
- * You should keep Allen Key and Wrench in a safe place as you may need to tighten up the bolts in the future.

STEP 1



Attach Left Back (G) and Center Back (I) by sliding metal clip on Center Back (I) down into metal sleeve on Left Back (G).

Attach Center Back (I) and Right Back (H) by sliding metal clip on Right Back (H) down into metal sleeve on Center Back (I).
(See figure 1)

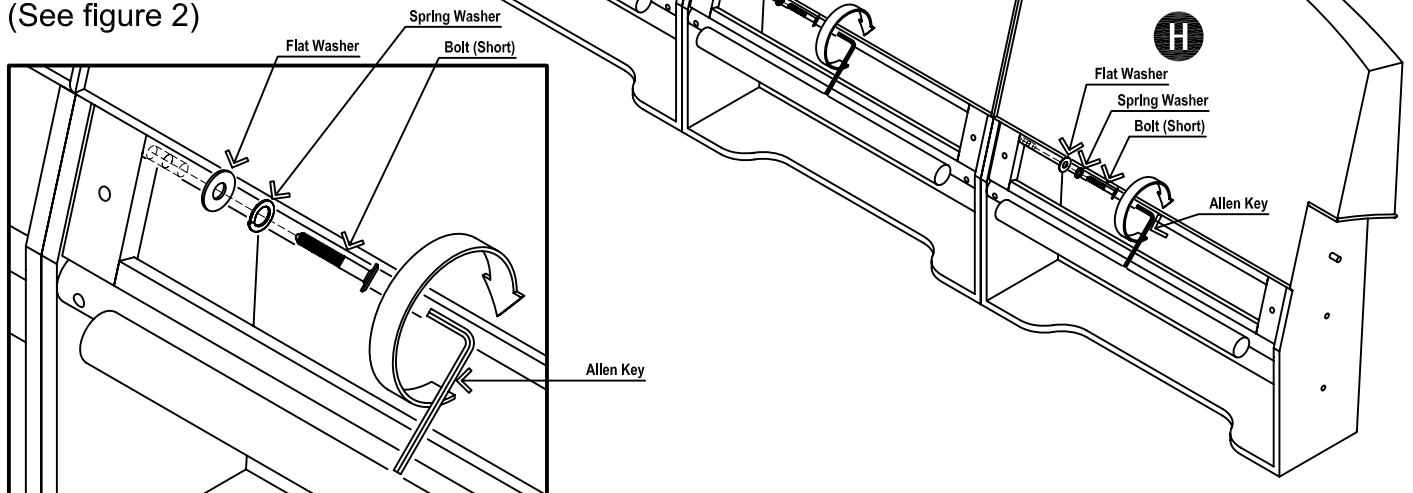


(Figure 1)

STEP 2

Attach Bolt (Short) through Spring Washer, Flat Washer and Right Back (H) to Center Back (I). Tighten Bolt
(See figure 2)

Attach Bolt (Short) through Spring Washer, Flat Washer and Center Back (I) to Left Back (G). Tighten Bolt.
(See figure 2)



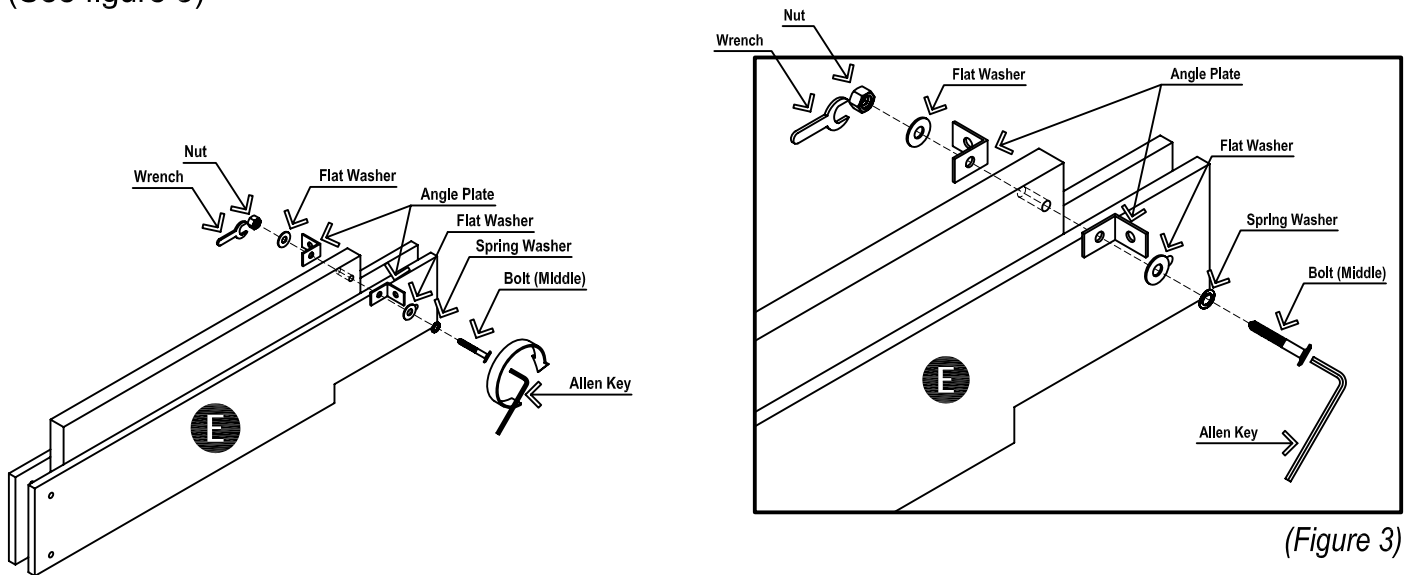
(Figure 2)

Assembly Instructions 3/6

STEP 3

Attach Angle Plates to Dividers (E) using Bolt (Middle), Spring Washer, Flat Washers and Nut.

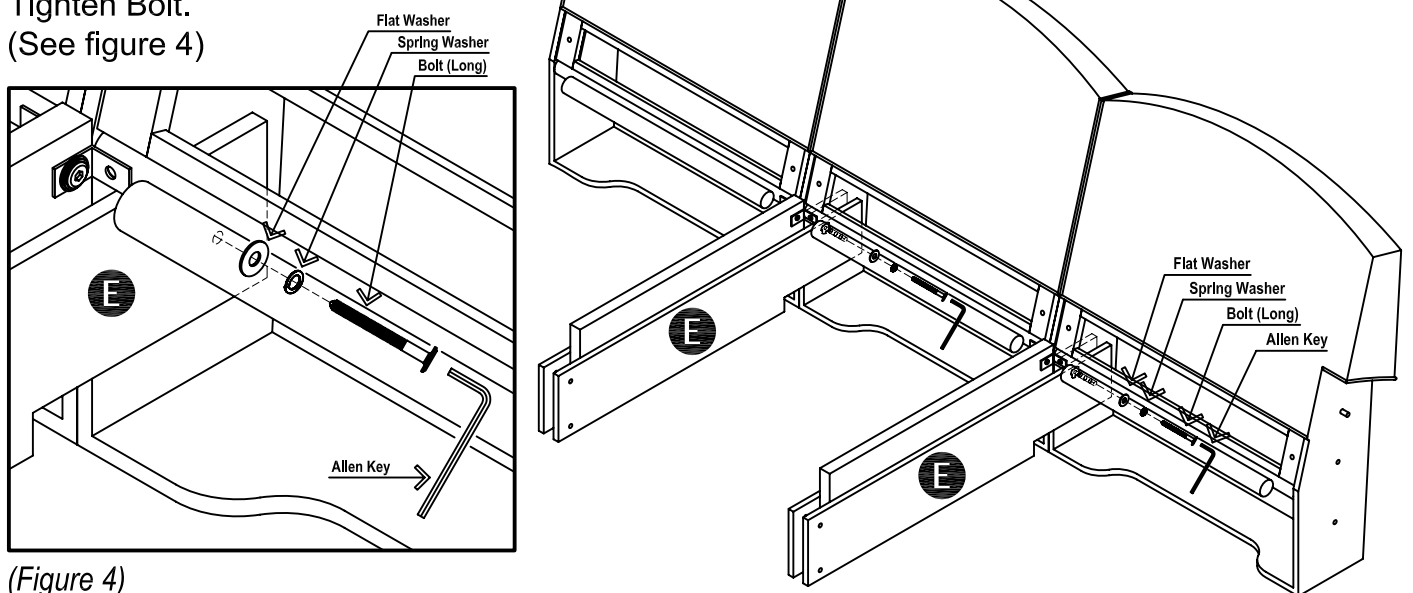
Turn Bolt clockwise using Allen Key and turn Nut clockwise using Wrench.
(See figure 3)



STEP 4

Attach Dividers (E) to unit using Bolt (Long), Spring Washer and Flat Washer.

Tighten Bolt.
(See figure 4)



Assembly Instructions 4/6

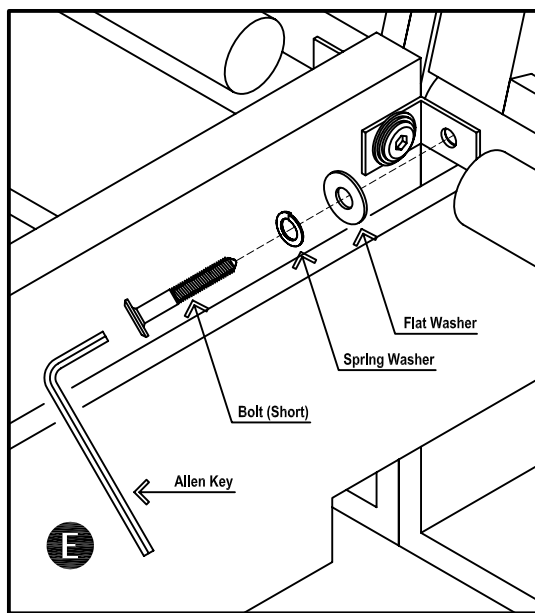
STEP 5

Attach Angle Plates to Left Back (G) and Right Back (H) using Bolts (Short), Spring Washers and Flat Washers.

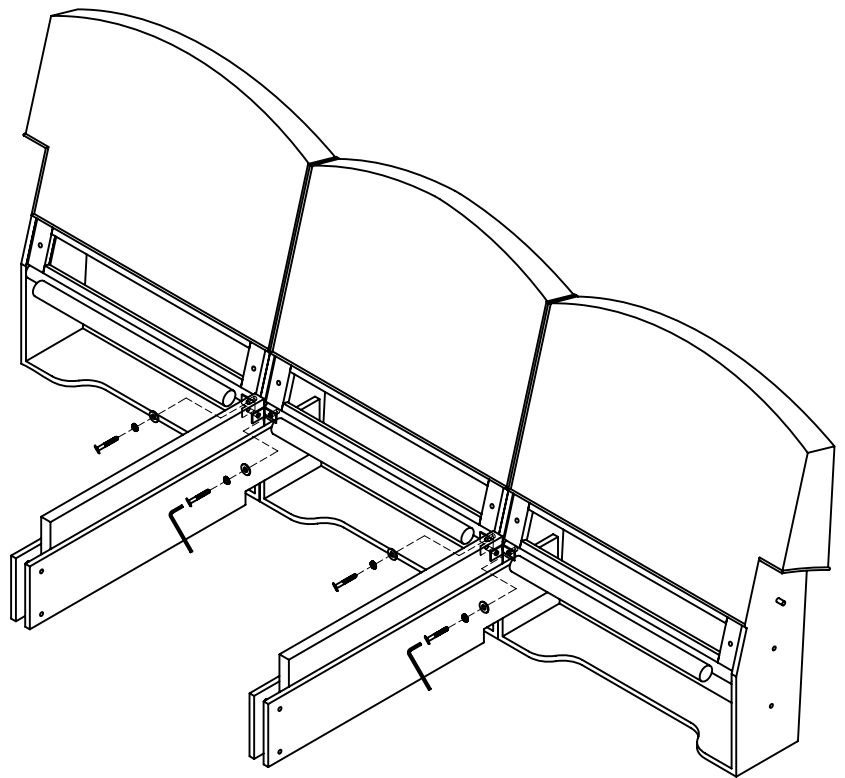
Tighten Bolts.

Important: Please make sure these bolts are attached very tightly.

(See figure 5)



(Figure 5)

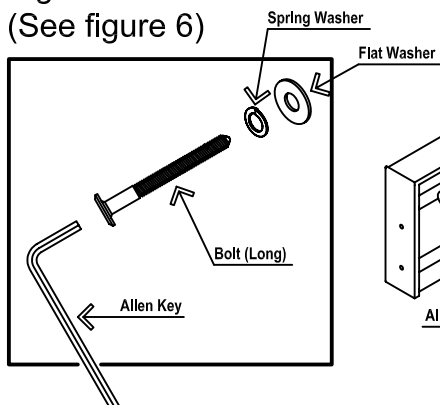


STEP 6

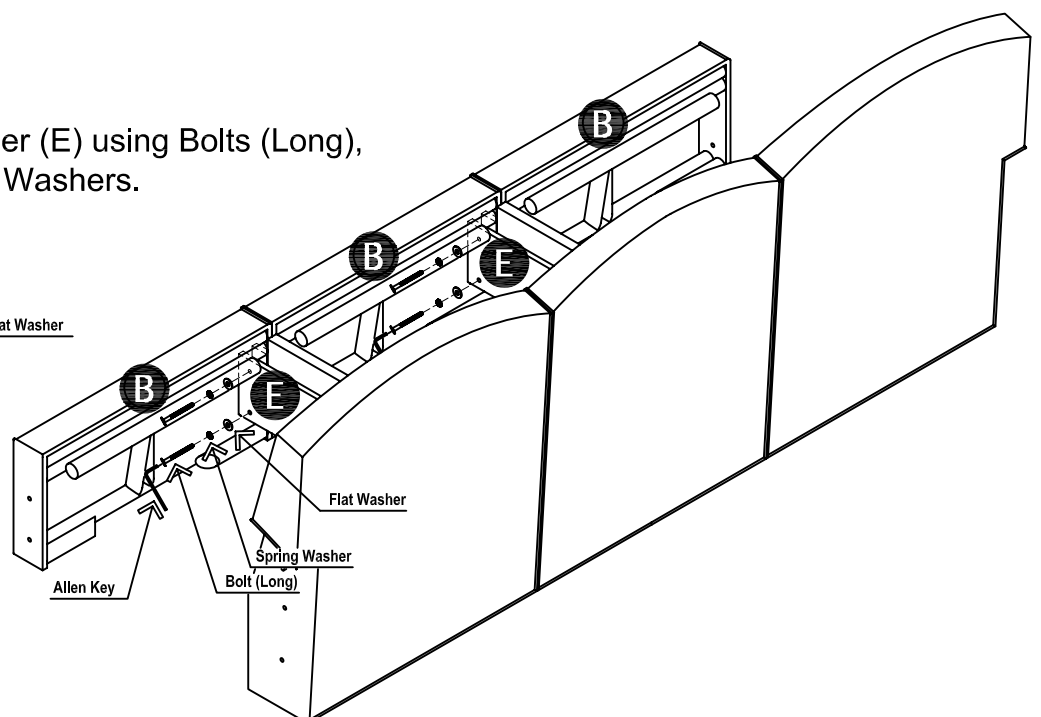
Attach Fronts (B) to Divider (E) using Bolts (Long), Spring Washers and Flat Washers.

Tighten Bolts.

(See figure 6)



(Figure 6)



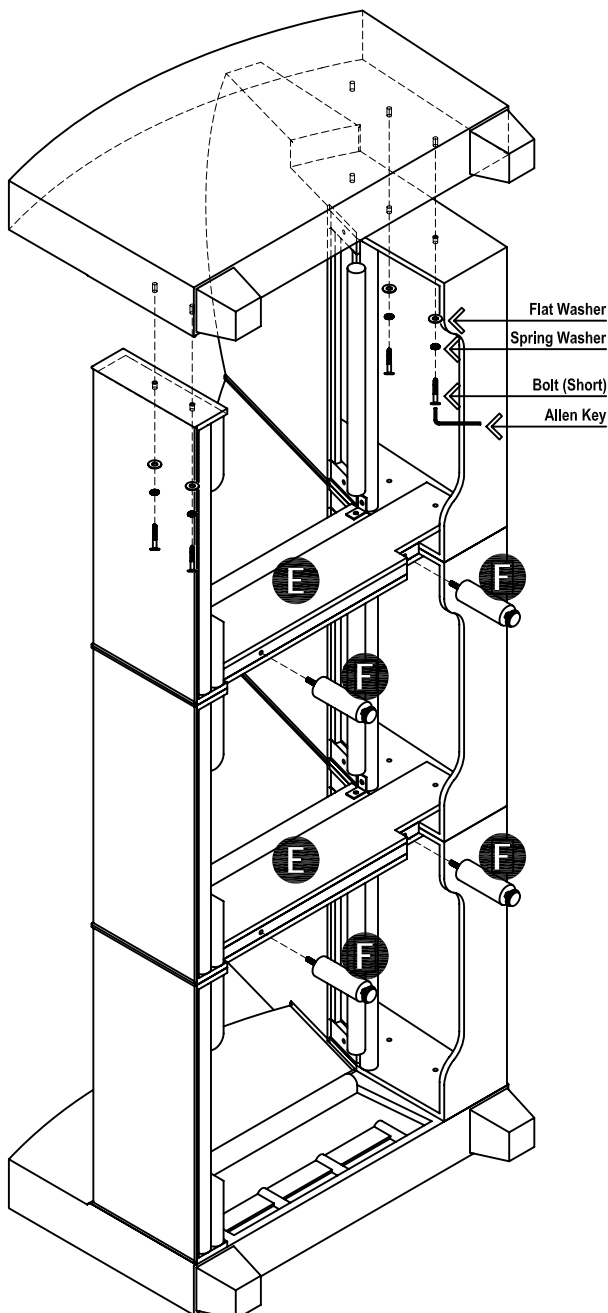
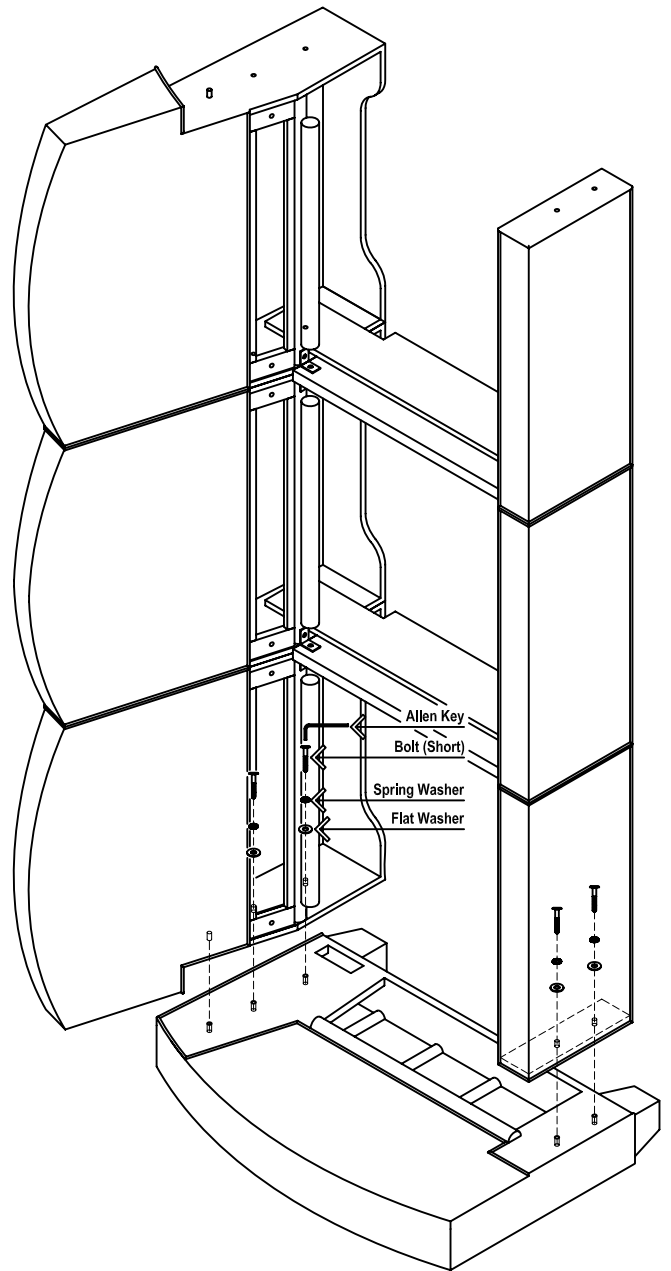
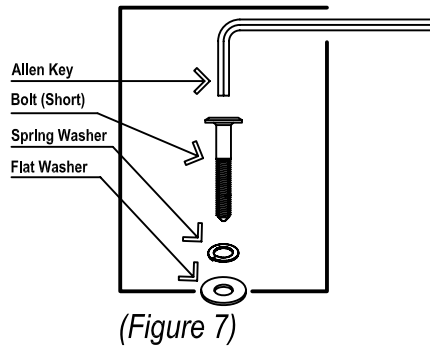
Assembly Instructions 5/6

STEP 7

Place Left Arm on a soft cloth.

Attach Left Arm to unit using Bolts (Short), Spring Washers and Flat Washers.

Tighten Bolts.
(See figure 7)



STEP 8

Attach Right Arm to unit using Bolts (Short), Spring Washers and Flat Washers.

Tighten Bolts.
(See figure 7)

Attach Center Legs (F) to bottom of Divider (E) and tighten completely.

Assembly Instructions 6/6

STEP 9

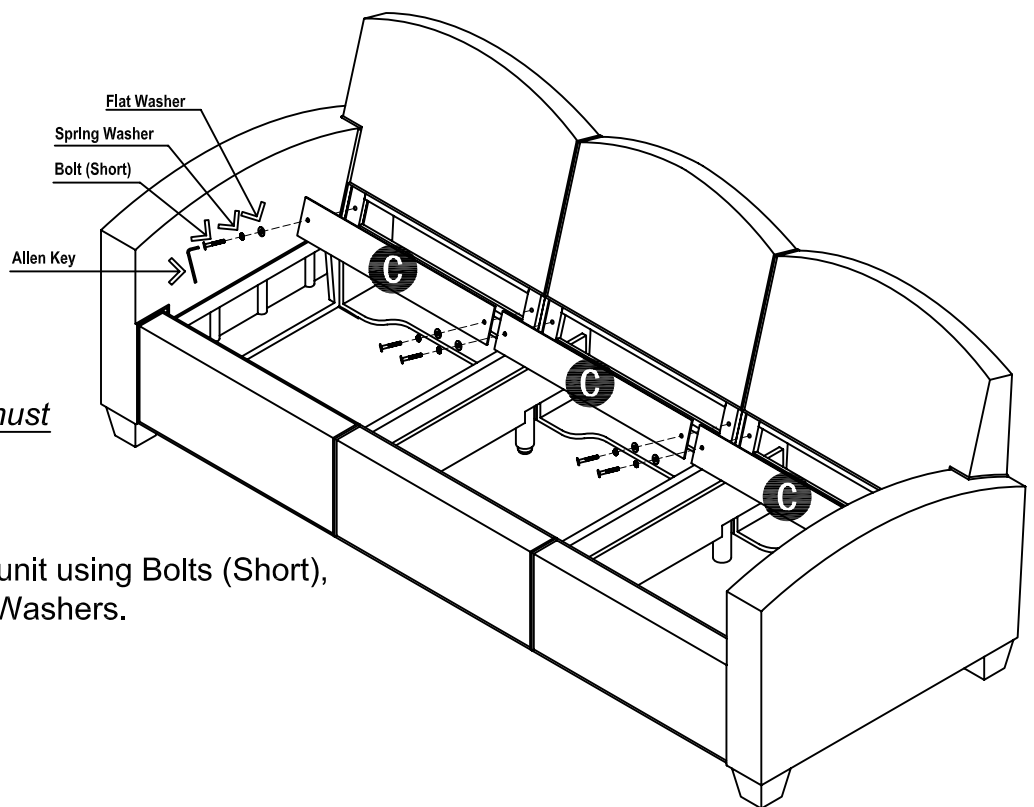
Place unit in desired location in room.

Lower the adjustable levelers on the bottom of Center Leg (F) until the leveler is on the floor.

Important: Each Leveler must rest firmly on the floor.
(See figure 8)

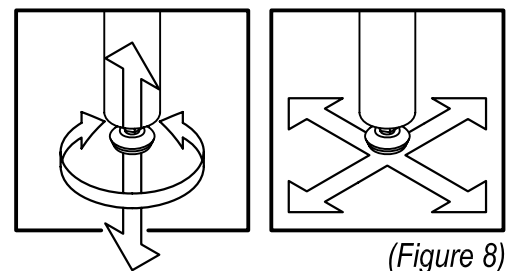
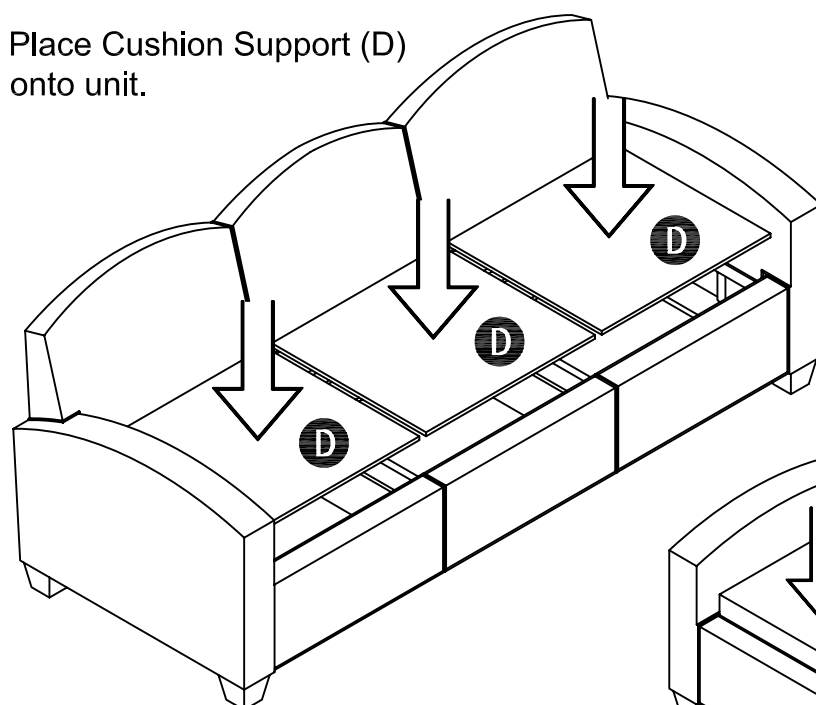
Attach Back Cover (C) to unit using Bolts (Short), Spring Washers and Flat Washers.

Tighten Bolts.



STEP 10

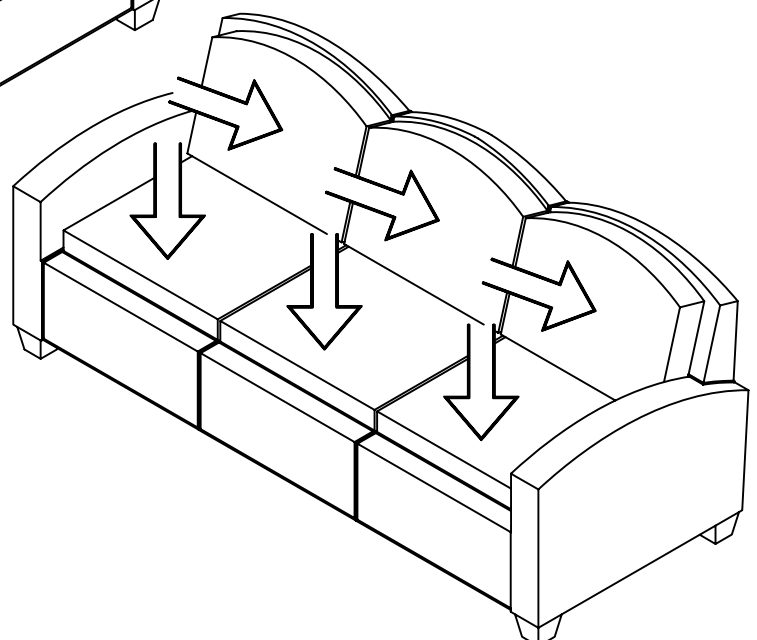
Place Cushion Support (D) onto unit.



(Figure 8)

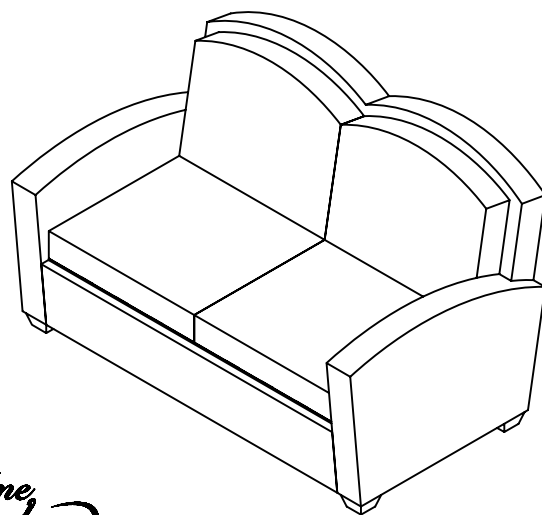
STEP 11

Place Seat Cushion onto seat of unit.
Place Back Cushion onto back of unit.



88 5401 60SB

Seat and Back for Cabana Banana Love Seat (Honey Finish)



IMPORTANT NOTE

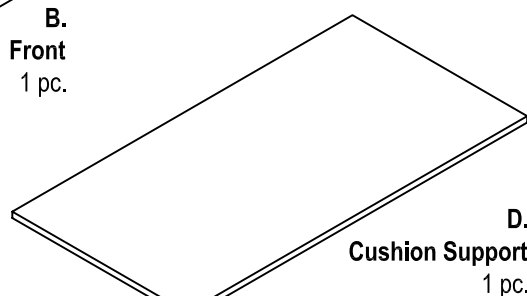
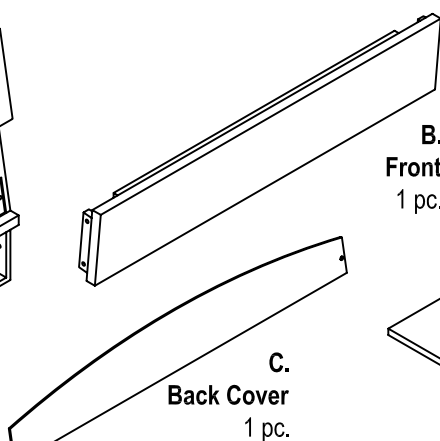
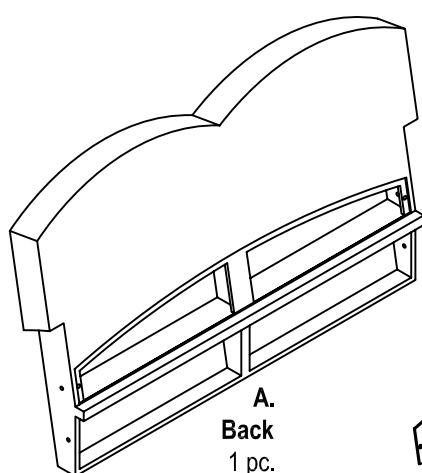
Carefully remove all the parts from the carton and put them individually on a soft cloth to prevent scratches or other damages occurring to the wood parts.

We have taken great care in the design of this product and request that you carefully and strictly follow our assembly instructions to ensure a completed product as it was designed.

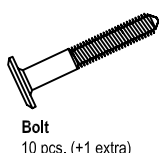
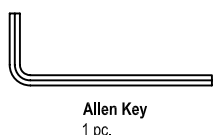


Casual Attire For Today's Home

Part List



Hardware List



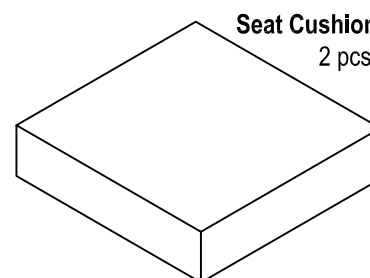
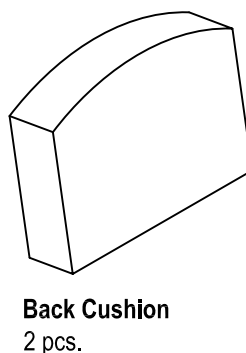
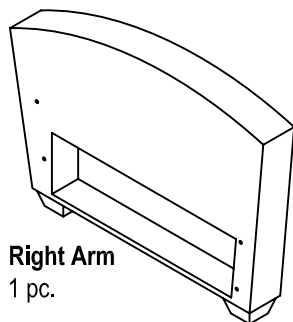
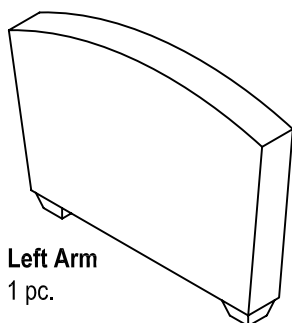
For assembly also need the following:

88 5401 ARM Arm Carton

Carton quantity: 1

88 5400 CUS Cushion Carton

Carton quantity: 2



Home Styles Consumer Assistance Line 888-680-7460 and 877-831-0319
servicedesk@homestyles-furniture.com

Assembly Instructions 2/3

IMPORTANT

* Do not tighten up all the bolts until each part is properly assembled.

* You should keep Allen Key in a safe place as you may need to tighten up the bolts in the future.

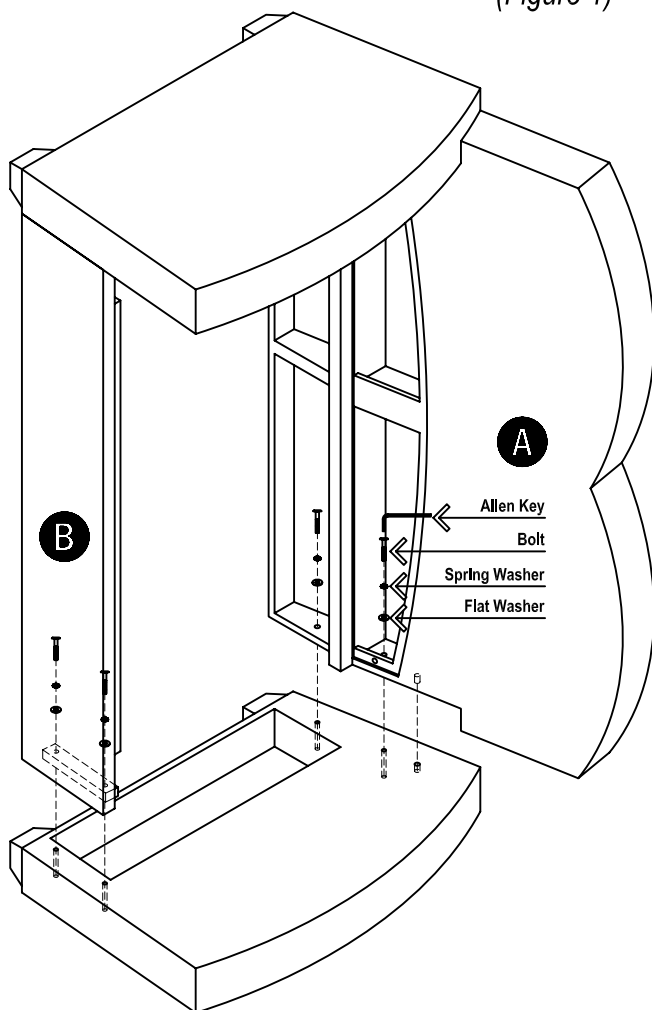
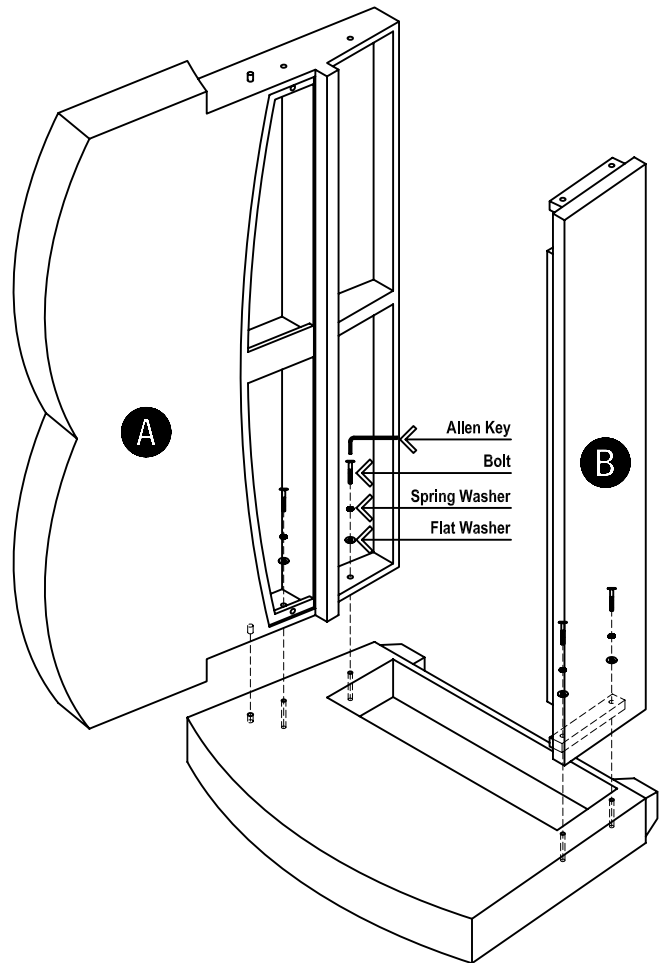
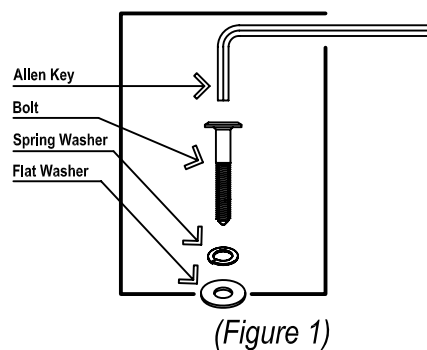
STEP 1

Place Left Arm on a soft cloth.

Attach Back (A) and Front (B) to Left Arm using Bolts, Spring Washers and Flat Washers.

To tighten Bolts, turn clockwise using Allen Key.

(See figure 1).



STEP 2

Attach Back (A) and Front (B) to Right Arm using Bolts, Spring Washers and Flat Washers.

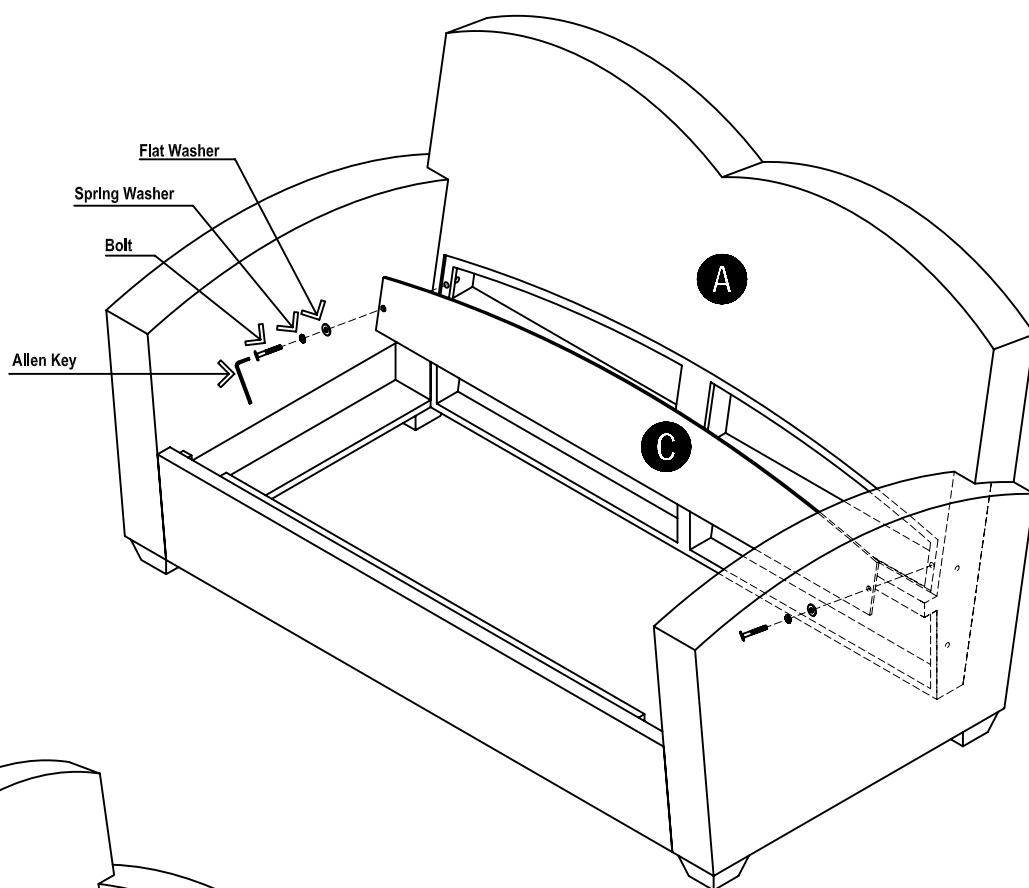
Tighten Bolts.

Assembly Instructions 3/3

STEP 3

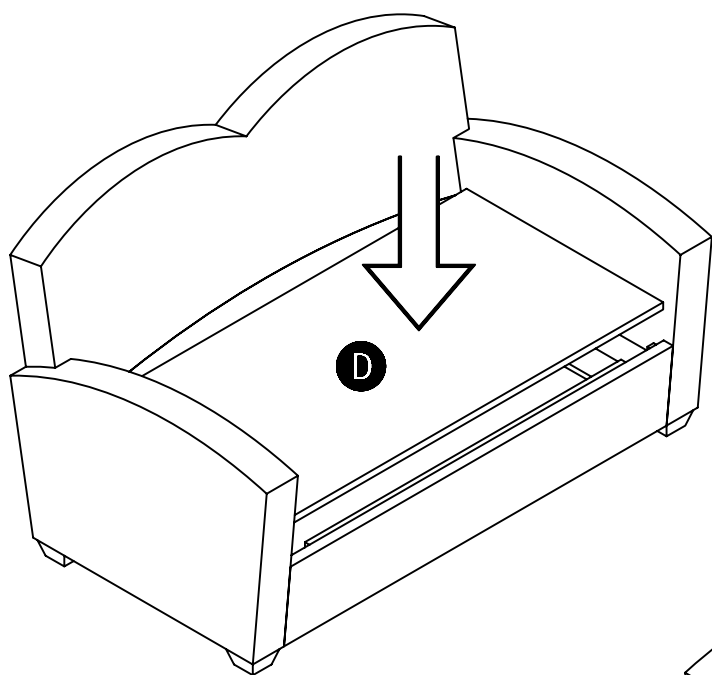
Attach Back Cover (C) to Back (A) using Bolts, Spring Washers and Flat Washers.

Tighten Bolts.



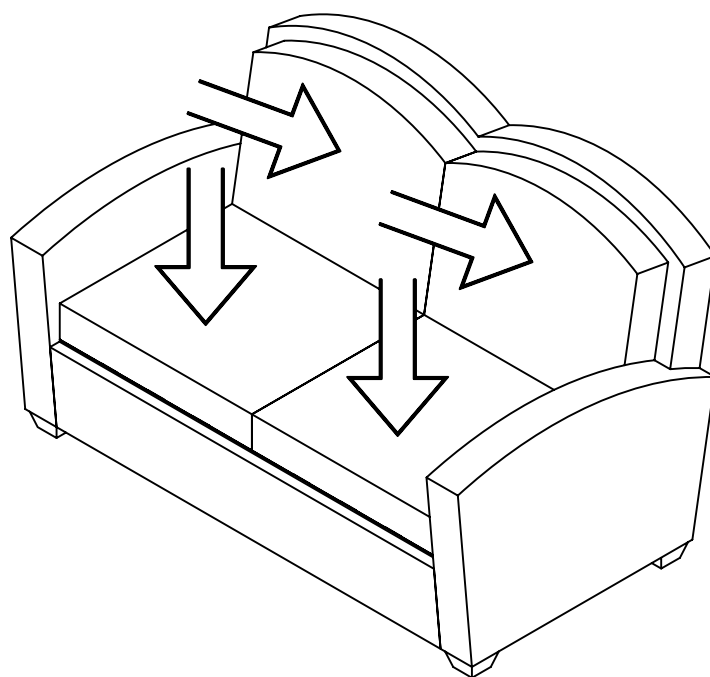
STEP 4

Place Cushion Support (D) onto unit.



STEP 5

Place Seat Cushion onto seat of unit.
Place Back Cushion onto back of unit.



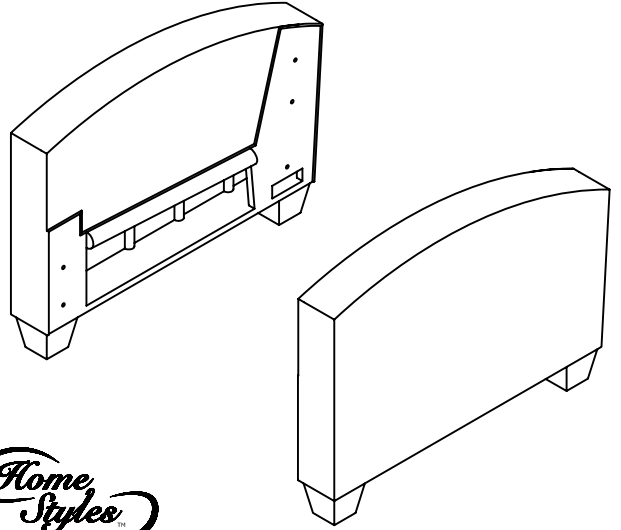
88 5401 ARM

Left and Right Arm for Cabana Banana Seating (Honey Finish)

IMPORTANT NOTE

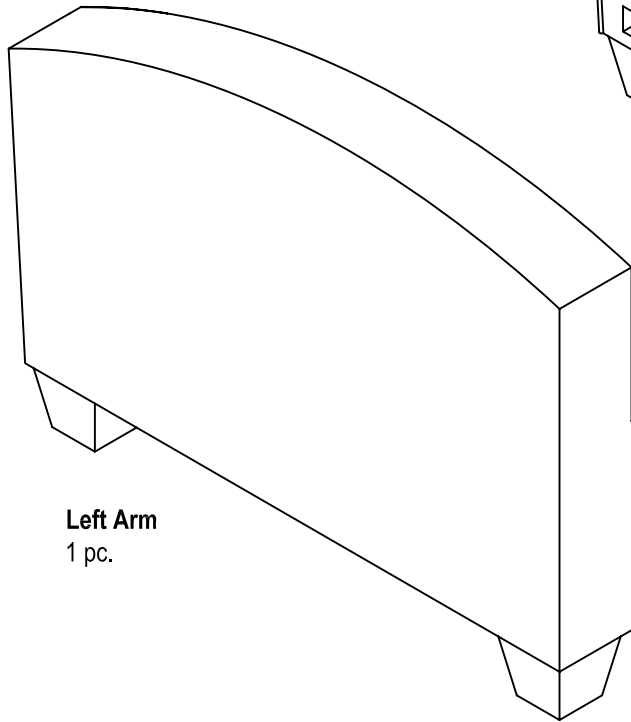
Carefully remove all the parts from the carton and put them individually on a soft cloth to prevent scratches or other damages occurring to the wood parts.

We have taken great care in the design of this product and request that you carefully and strictly follow our assembly instructions to ensure a completed product as it was designed.

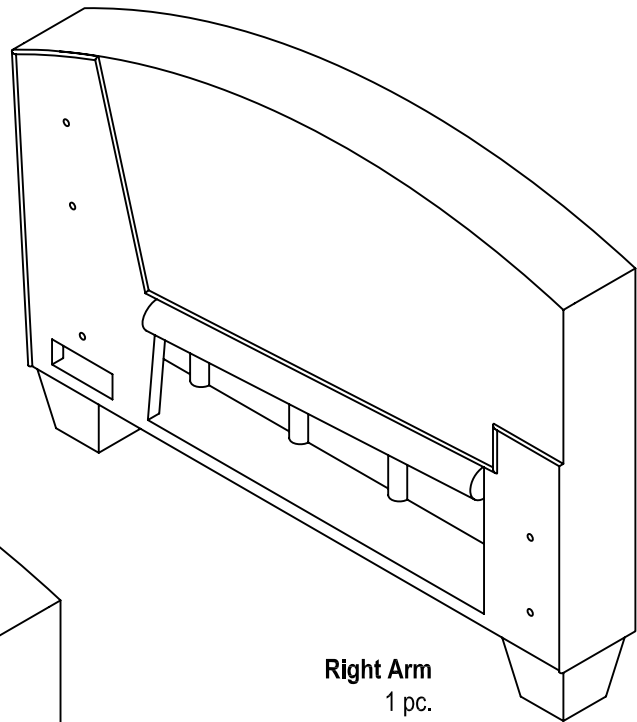


Casual Attire For Today's Home

Part List



Left Arm
1 pc.



Right Arm
1 pc.

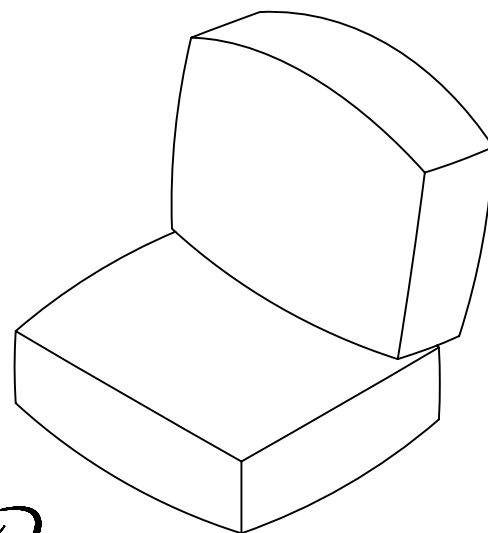
88 5400 CUS

Seat and Back Cushions for Cabana Banana Seating

IMPORTANT NOTE

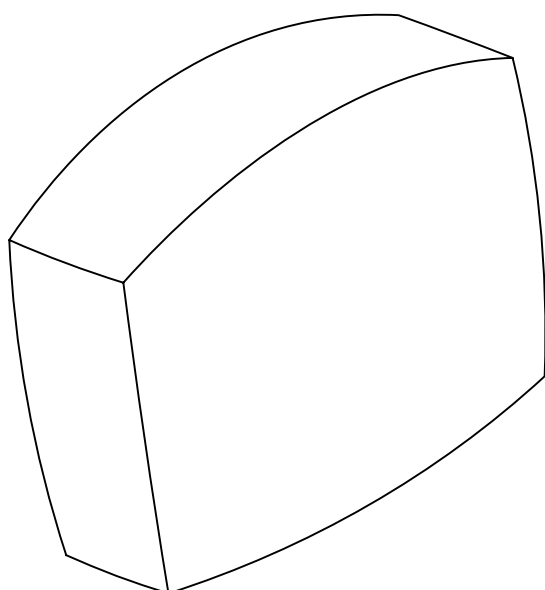
Carefully remove all the parts from the carton and put them individually on a soft cloth to prevent scratches or other damages occurring to the wood parts.

We have taken great care in the design of this product and request that you carefully and strictly follow our assembly instructions to ensure a completed product as it was designed.

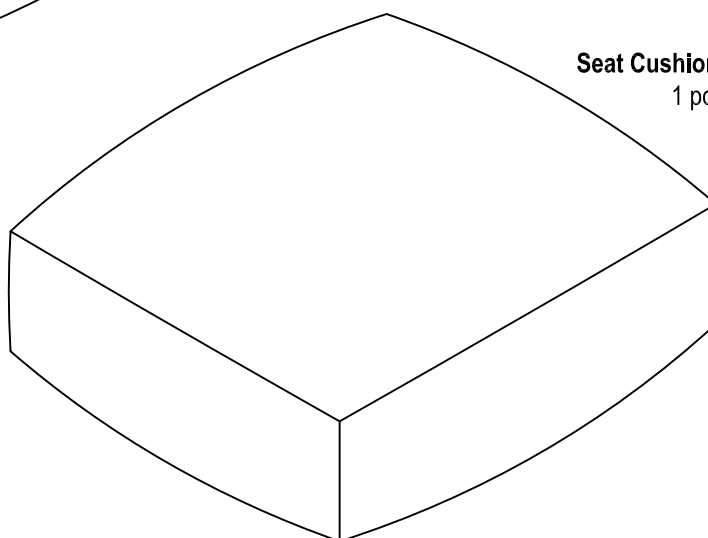


Casual Attire For Today's Home

Part List



Back Cushion
1 pc.



Seat Cushion
1 pc.