

88 5530 09

Naples

Entertainment Stand

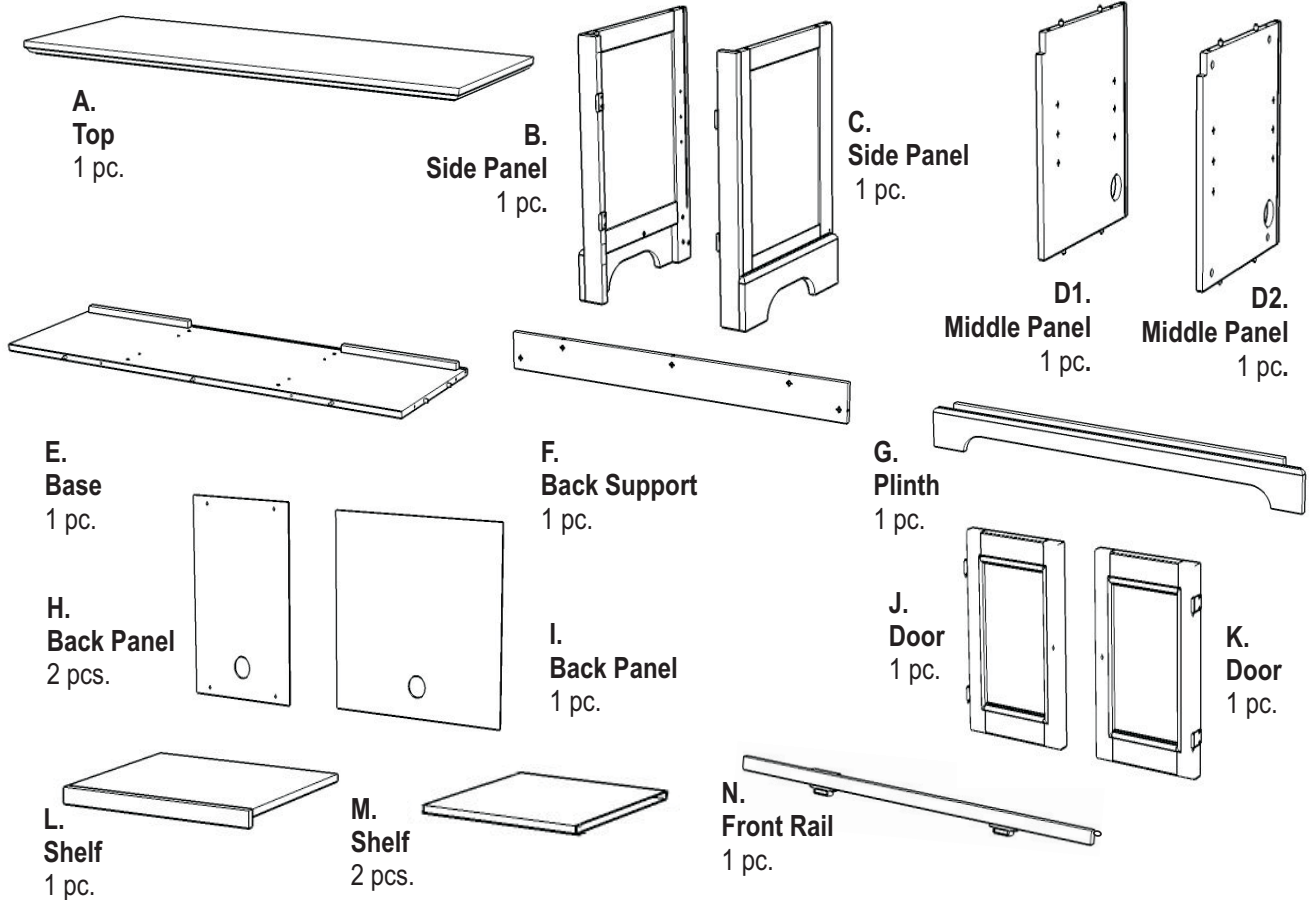
IMPORTANT NOTE

Carefully remove all the parts from the carton and put them individually on a soft cloth to prevent scratches or other damages occurring to the parts.

We have taken great care in the design of this product and request that you carefully and strictly follow our assembly instructions to ensure a completed product as it was designed.



Part List



Hardware List



Cam Lock Screw
29 pcs.(+2 extra)



Cam Lock
29 pcs.(+6 extra)



Adjustable Pin
12 pcs.(+1 extra)



Wood Screw
for Plinth
2 pcs.(+1 extra)



Wood Screw
for Back Panel
8 pcs.(+1 extra)



Pull Handle
2 pcs.



Machine Screw
2 pcs.

Tools required for assembly : **Phillips** screwdriver

Home Styles Consumer Assistance Line 888-680-7460 and 877-831-0319

servicedesk@homestyles-furniture.com

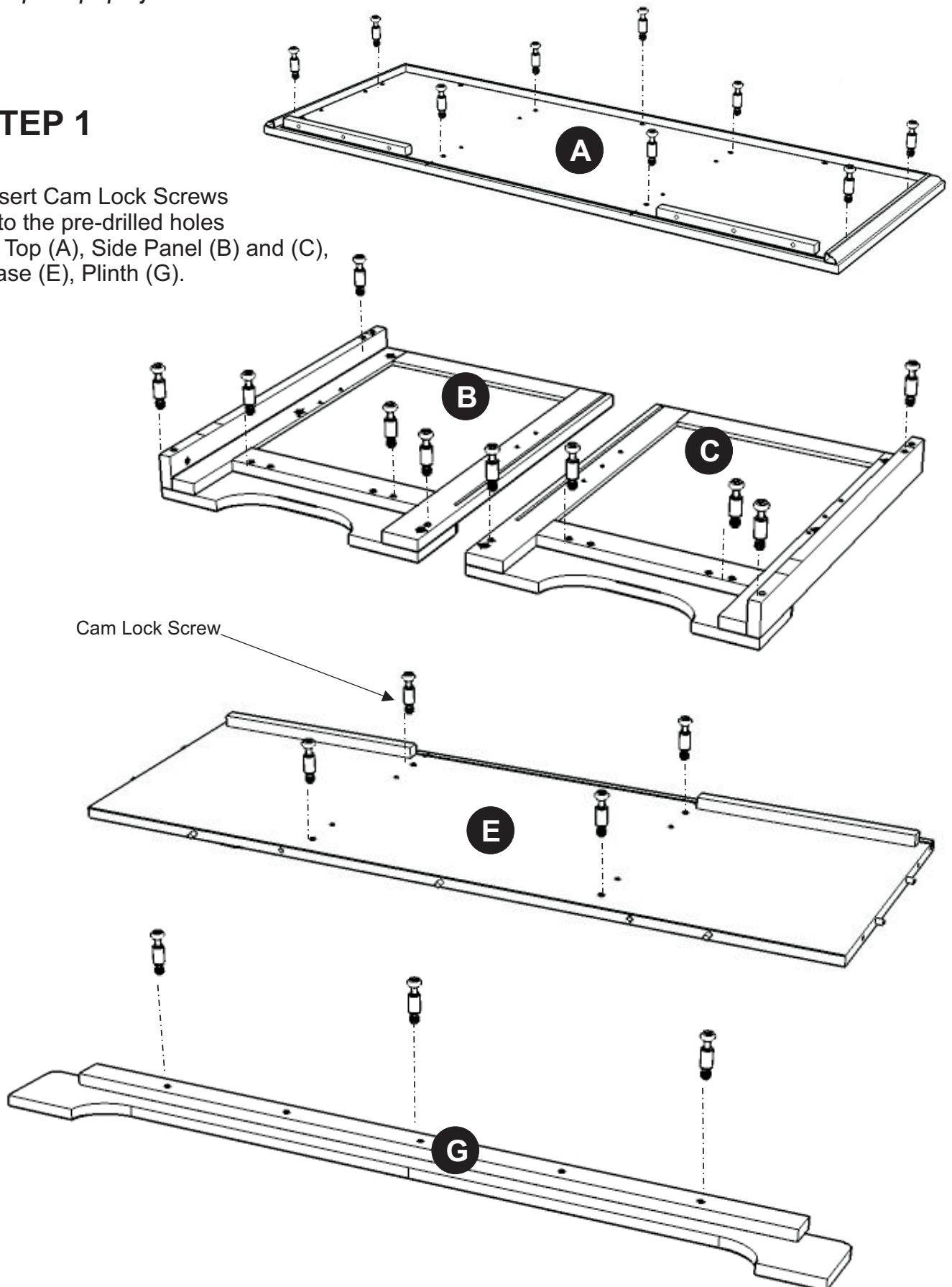
Revised date : 24Mar2011

IMPORTANT

Do not tighten up all the screws until each part is properly assembled.

STEP 1

Insert Cam Lock Screws into the pre-drilled holes of Top (A), Side Panel (B) and (C), Base (E), Plinth (G).



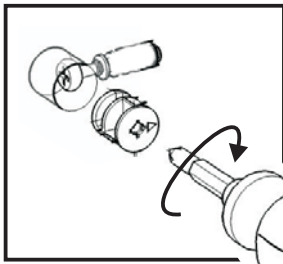
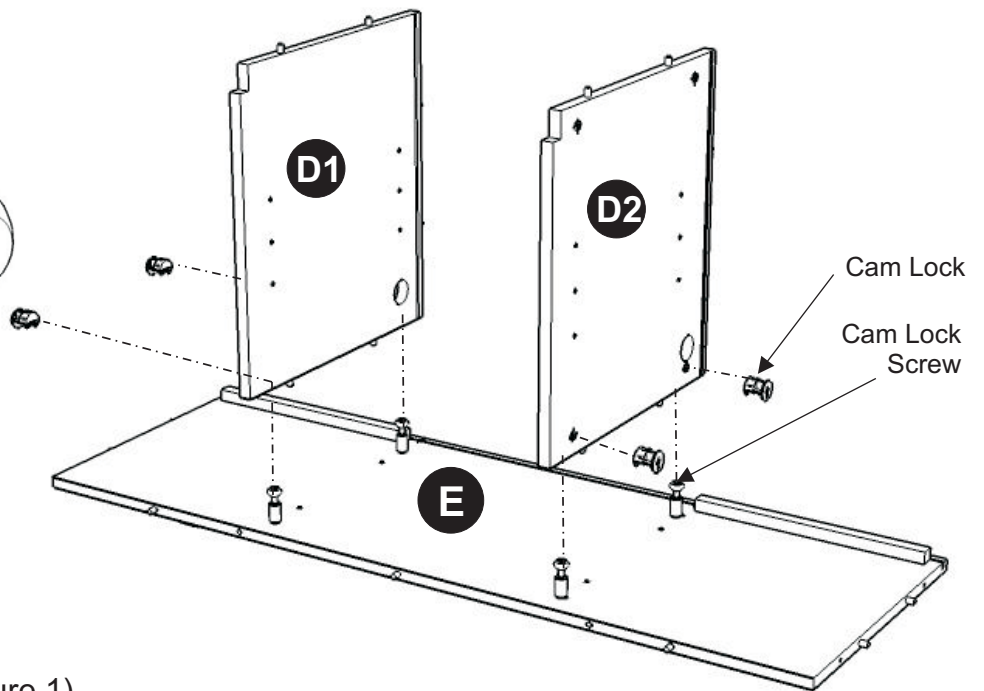
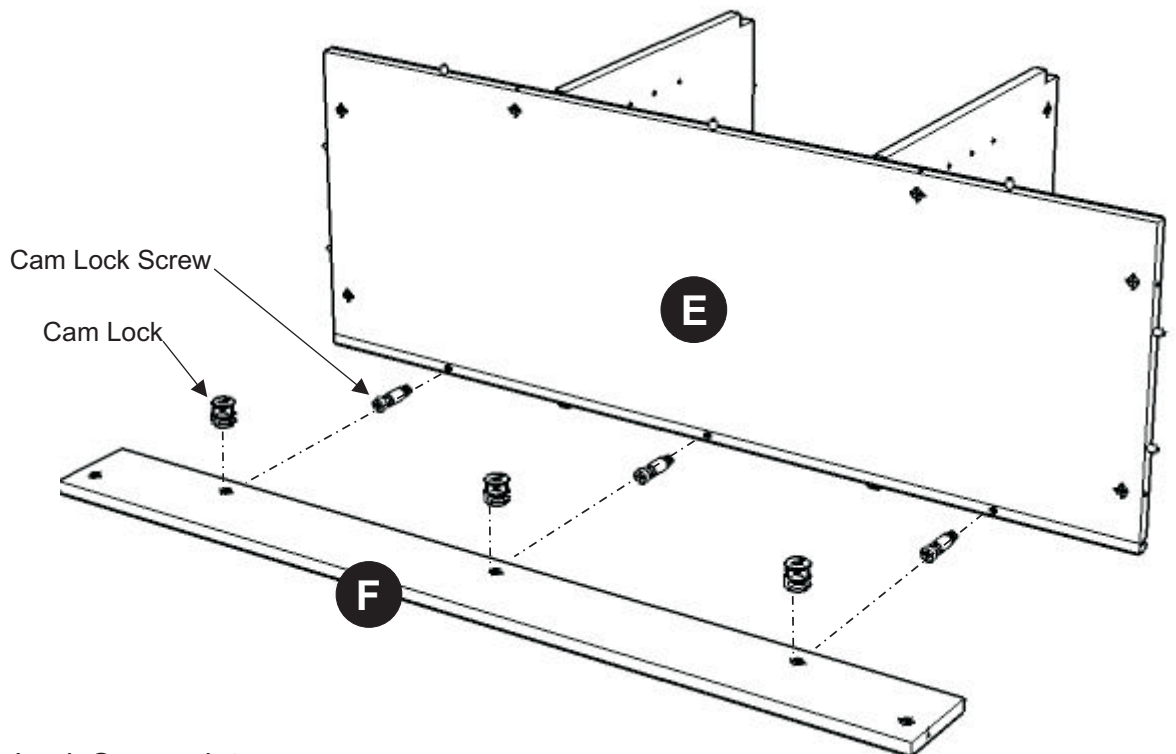


Figure 1



STEP 2

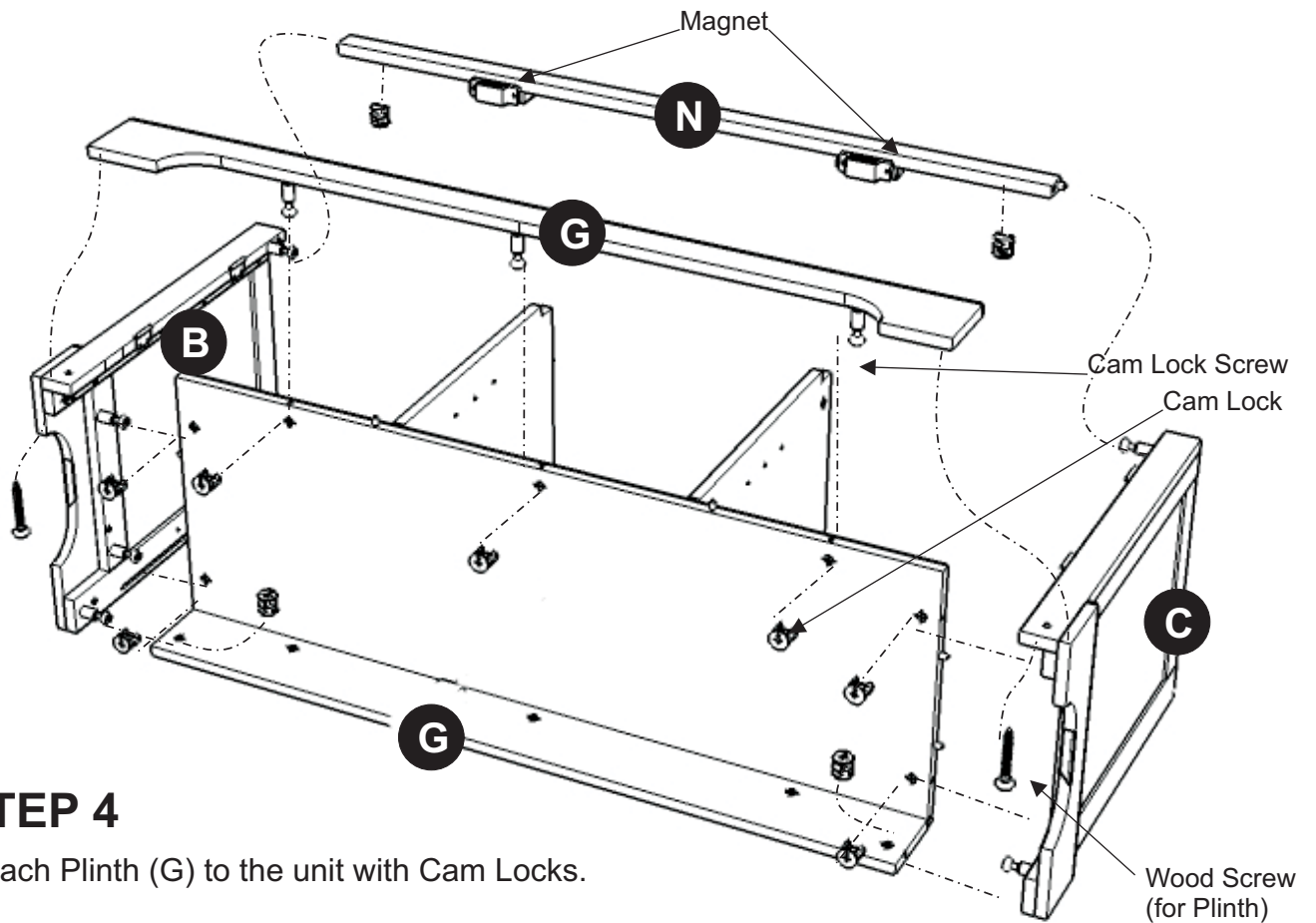
Attach Middle Panel (D1) and (D2) onto Base (E) with Cam Locks. (see Figure 1)



STEP 3

Put the Cam Lock Screws into the pre-drilled holes at the underside of Base (E).

Attach Back Support (F) to the unit with Cam Locks.



STEP 4

Attach Plinth (G) to the unit with Cam Locks.

Attach Side Panel (B) and Front Rail (N) to the unit with Cam Locks, then attach Side Panel (C) to the unit with Cam Locks.

Tighten up 2X Wood Screws for Plinth

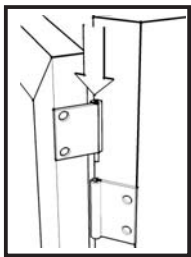


Figure 2

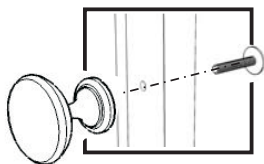
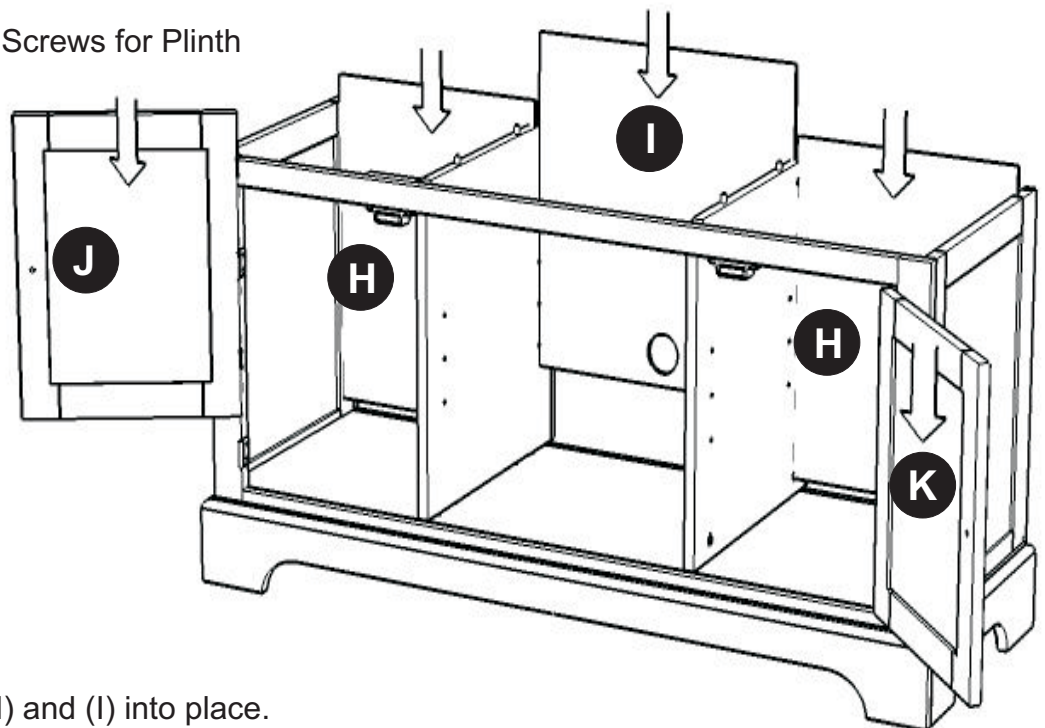


Figure 3

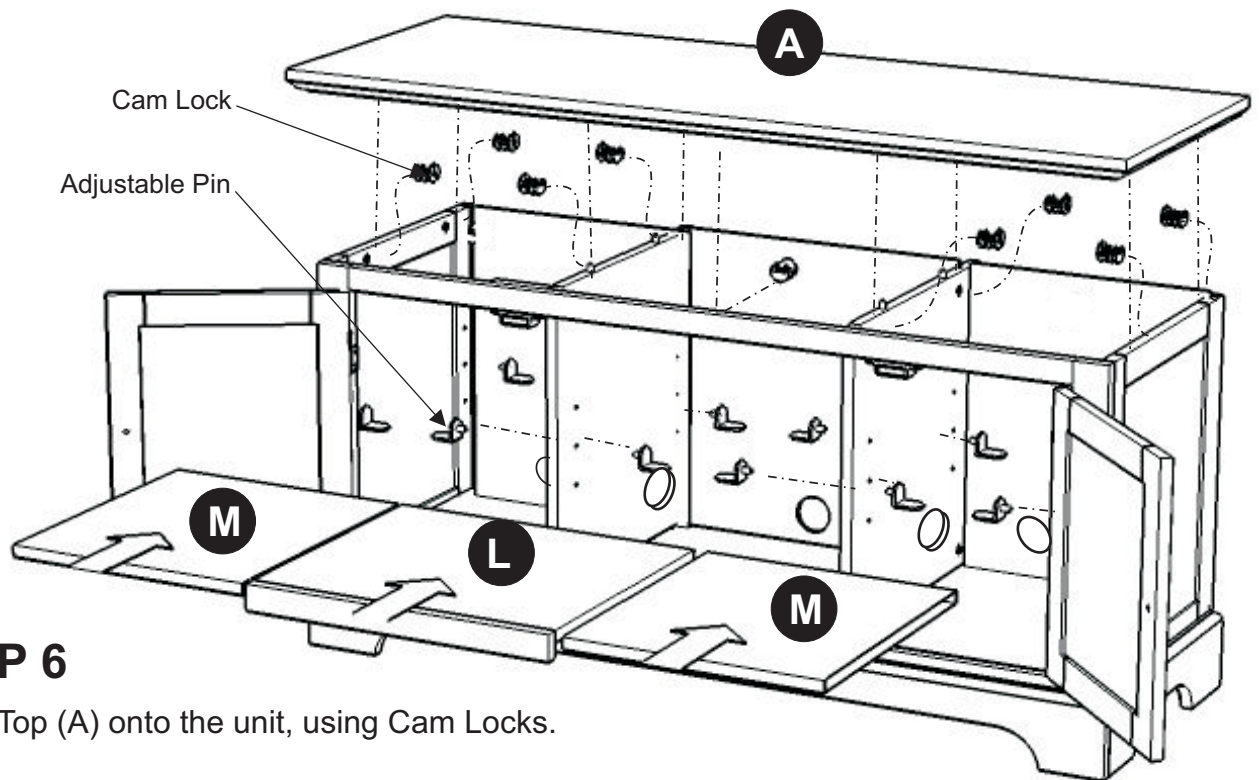


STEP 5

Slide Back Panels (H) and (I) into place.

Attach Doors (J) and (K) by sliding the door lift hinges into the side panels lift hinges. (see Figure 2)

Assemble Pull Handles to Doors (J) and (K) with Machine Screws. (see Figure 3)

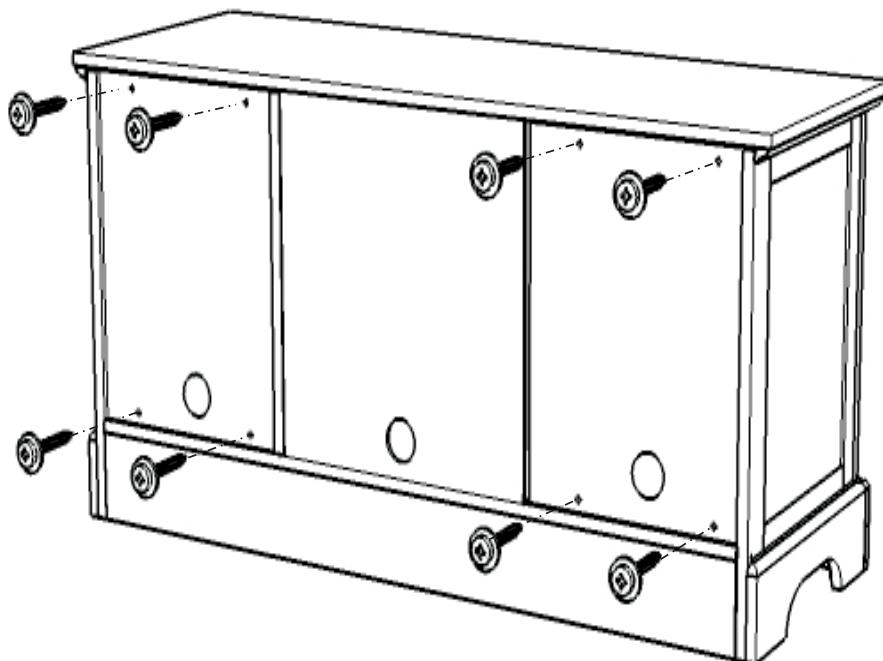


STEP 6

Place Top (A) onto the unit, using Cam Locks.

Insert Adjustable Pins into side panels and middle panels at the desired level.

Place Shelves (L) and (M) into position.



STEP 7

Insert 8X Wood Screws from the back of the unit, tighten up all the Wood Screws. (See figure 4)

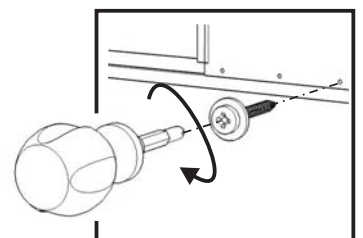


Figure 4

Note: Please make sure unit is level before tightening these screws.