

88 5530 131

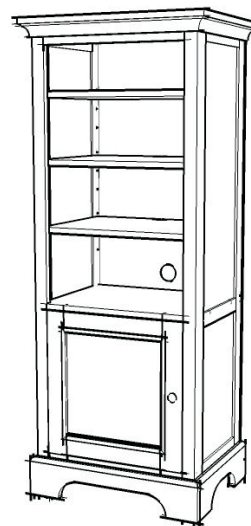
# Naples Pier Unit (White Finish)

## IMPORTANT NOTE

Carefully remove all the parts from the carton and put them individually on a soft cloth to prevent scratches or other damages occurring to the wood parts.

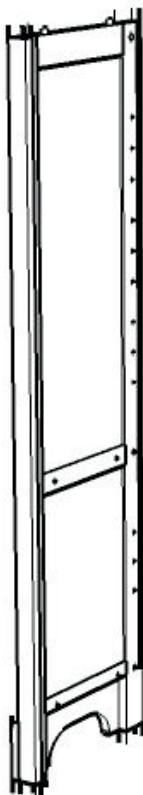
We have taken great care in the design of this product and request that you carefully and strictly follow our assembly instructions to ensure a completed product as it was designed.

Home  
Styles

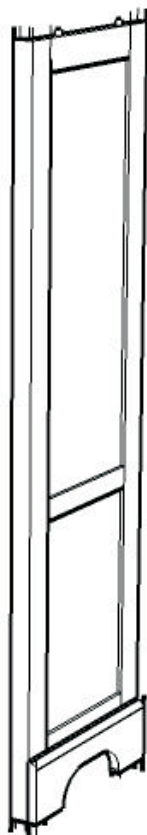


## Part List

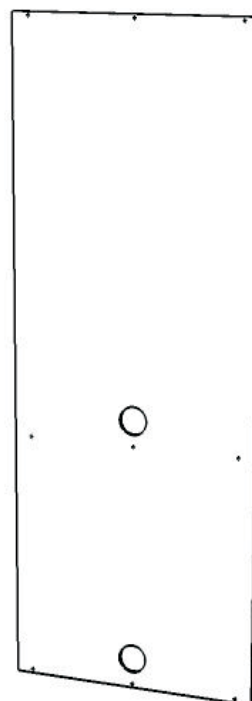
B.  
Side Panel  
1 pc.



C.  
Side Panel  
1 pc.



D.  
Back Panel  
1 pc.



## Hardware List



Cam Lock Screw  
18 pcs.(+1 extra)



Wood Screw  
for hinge  
4 pcs.(+1 extra)



Wood Screw  
for back panel  
9 pcs.(+1 extra)



Machine Screw  
1 pc.



Cam Lock  
18 pcs.(+4 extra)



Adjustable Pin  
16 pcs.(+1 extra)



Wood Screw  
for Plinth  
2 pcs.(+1 extra)



Pull Handle  
1 pc.

**For assembly see instructions in carton 88 5530 132**

Tools required for assembly : Phillips screwdriver

Home Styles Consumer Assistance Line 888-680-7460 and 877-831-0319  
servicedesk@homestyles-furniture.com

88 5530 132

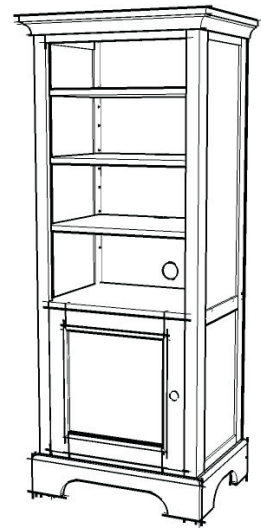
# Naples Pier Unit (White Finish)

## IMPORTANT NOTE

Carefully remove all the parts from the carton and put them individually on a soft cloth to prevent scratches or other damages occurring to the wood parts.

We have taken great care in the design of this product and request that you carefully and strictly follow our assembly instructions to ensure a completed product as it was designed.

*Home  
Styles*



## Part List



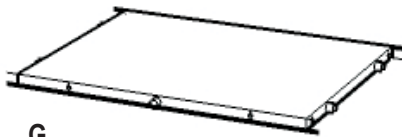
**A.**  
Top  
1 pc.



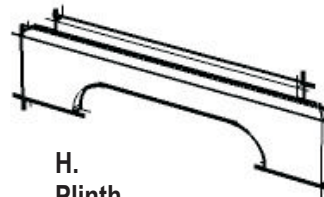
**E.**  
Front Piece  
1 pc.



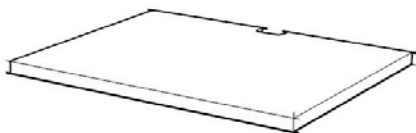
**F.**  
Fixed Shelf  
1 pc.



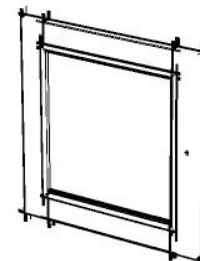
**G.**  
Base  
1 pc.



**H.**  
Plinth  
1 pc.



**I.**  
Shelf  
4 pcs.



**J.**  
Door  
1 pc.

***Also need the following from carton 88 5530 131 :***

### Part List in carton 88 5530 131

Side Panel (B)	1 pc.
Side Panel (C)	1 pc.
Back Panel (D)	1 pc.

### Hardware List in carton 88 5530 131

Cam Lock Screw	19 pcs.
Cam Lock	22 pcs.
Wood Screw for hinge	5 pcs.
Wood Screw for Back Panel	10 pcs.
Wood Screw for Back Plinth	3 pcs.
Adjustable Pin	17 pcs.
Pull Handle	1 pcs.
Machine Screw for Pull Handle	1 pc.

Tools required for assembly : **Phillips** screwdriver

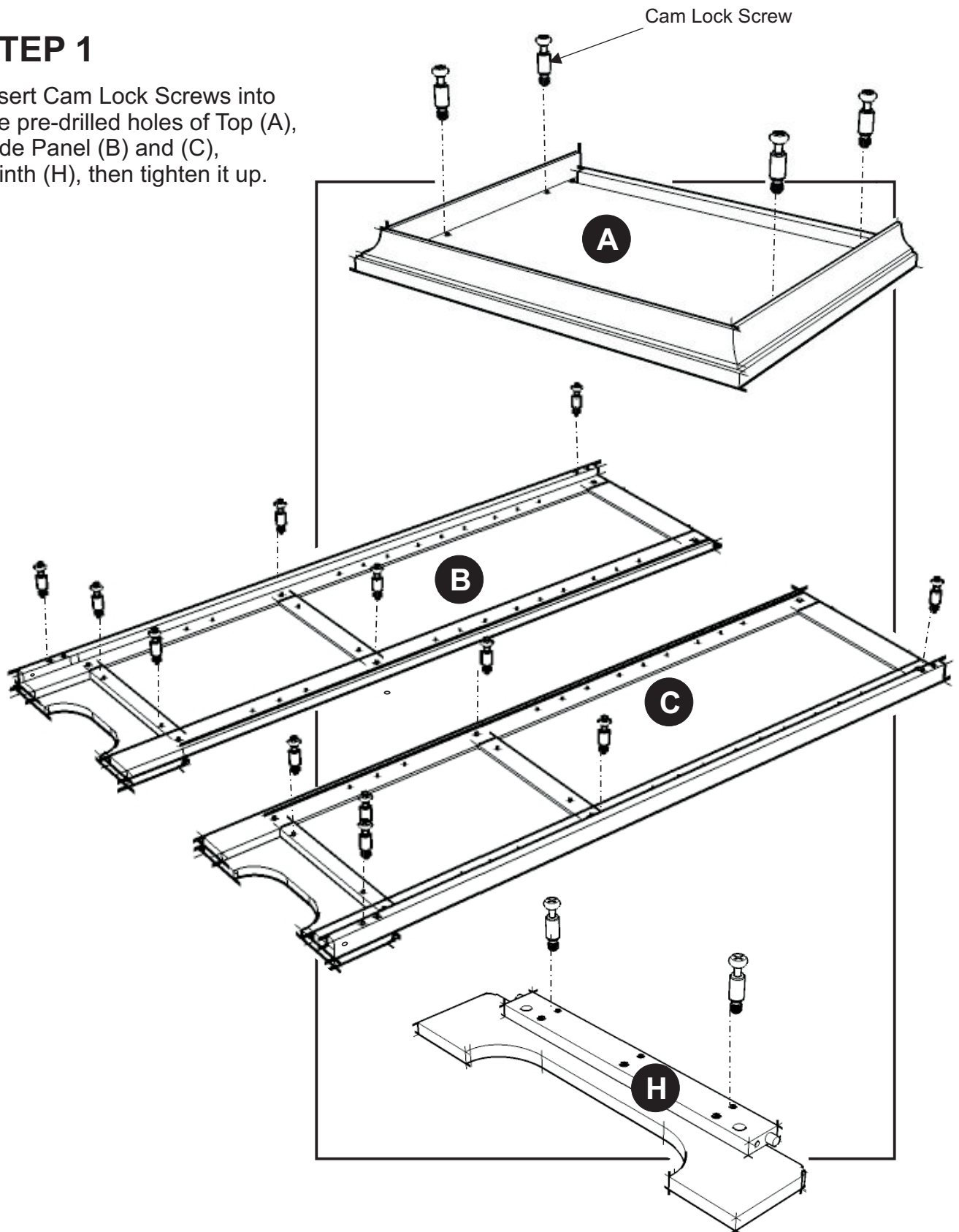
**Home Styles Consumer Assistance Line 888-680-7460 and 877-831-0319**  
**[servicedesk@homestyles-furniture.com](mailto:servicedesk@homestyles-furniture.com)**

**IMPORTANT**

*Do not tighten up all the screws until each part is properly assembled.*

## STEP 1

Insert Cam Lock Screws into the pre-drilled holes of Top (A), Side Panel (B) and (C), Plinth (H), then tighten it up.



## STEP 2

Attach Plinth (H) to Base (G) with Cam Locks.

Attach Front Piece (E), Fixed Shelf (F), and Base (G) to Side Panel (B) with Cam Locks. (See figure 1)

Slide Back Panel (D) into place.

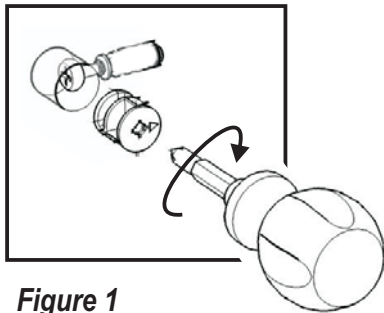
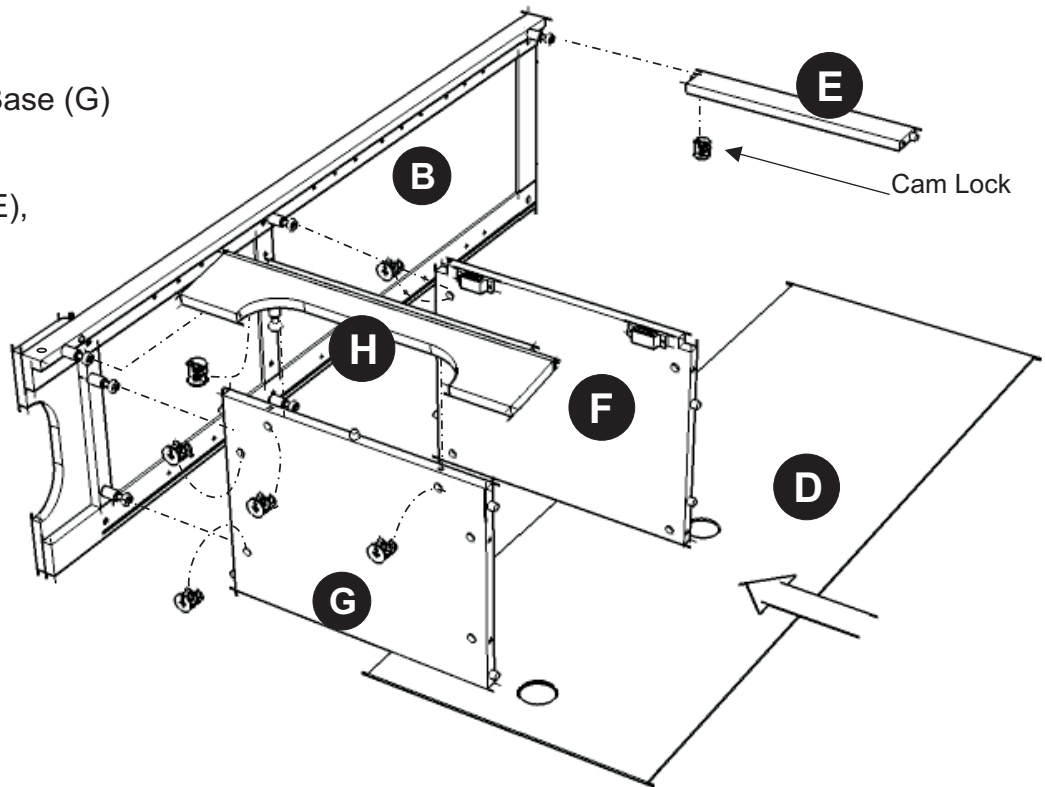
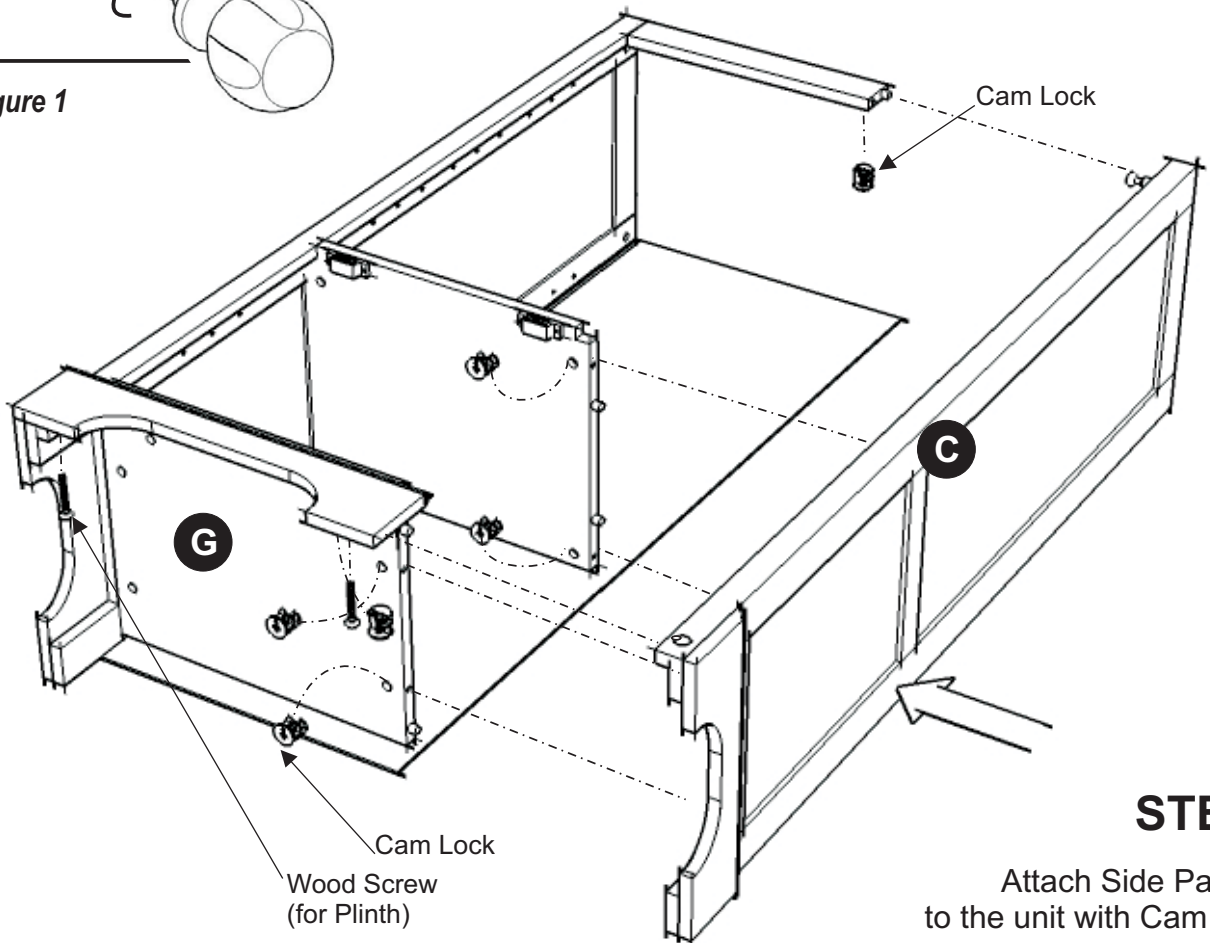


Figure 1



## STEP 3

Attach Side Panel (C) to the unit with Cam Locks.

Tighten up 2X Wood Screws for Plinth.

## STEP 4

Turn the unit to its upright position.

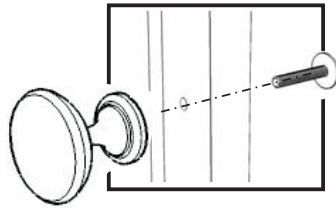


Figure 2

Place Top (A) onto the unit with Cam Locks.

Attach Pull Handle to the door, using Machine Screw. (See figure 2)

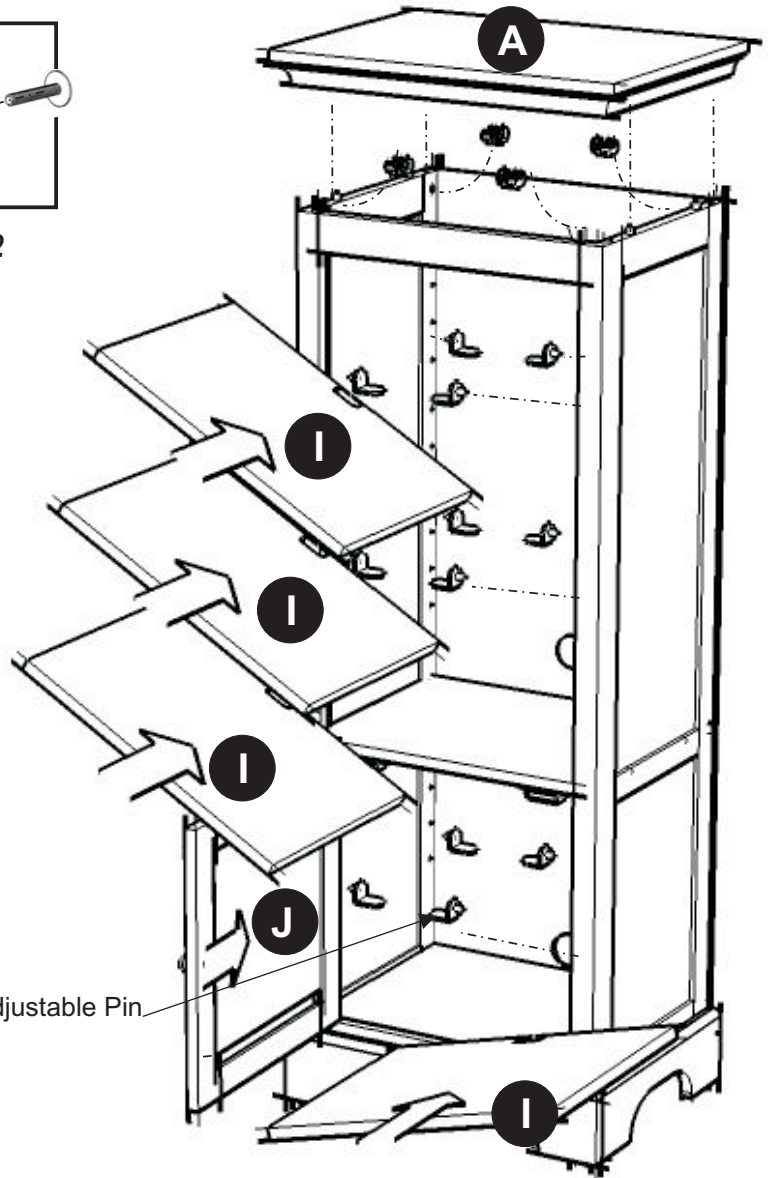
Attach Door (J) to the unit by attaching the hinges to the side panel with Wood Screws (See figure 3).

Customer Option:

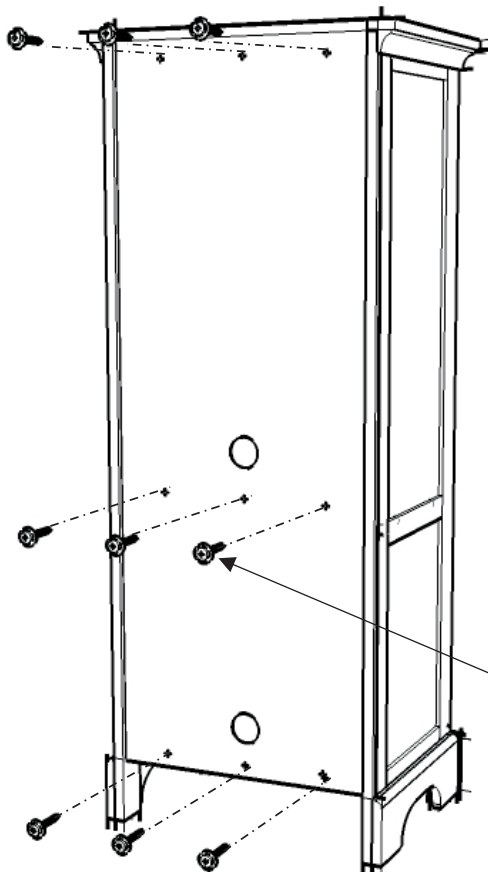
The door can be attached on the unit so that it opens either to the left or to the right.

Insert Adjustable Pins into side panels at the desired level.

Place Shelves (I) into position.



Adjustable Pin



Wood Screw (for back panel)

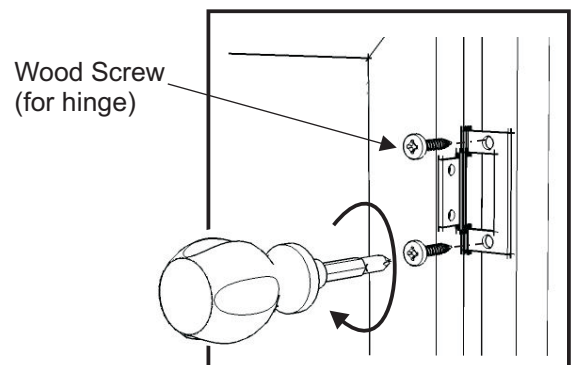


Figure 3

## STEP 5

Insert 9X Wood Screws into the pre-drilled holes of back panel.