

88 5532 16

The Hanover Student Desk

IMPORTANT NOTE

Carefully remove all the parts from the carton and put them individually on a soft cloth to prevent scratches or other damages occurring to the wood parts.

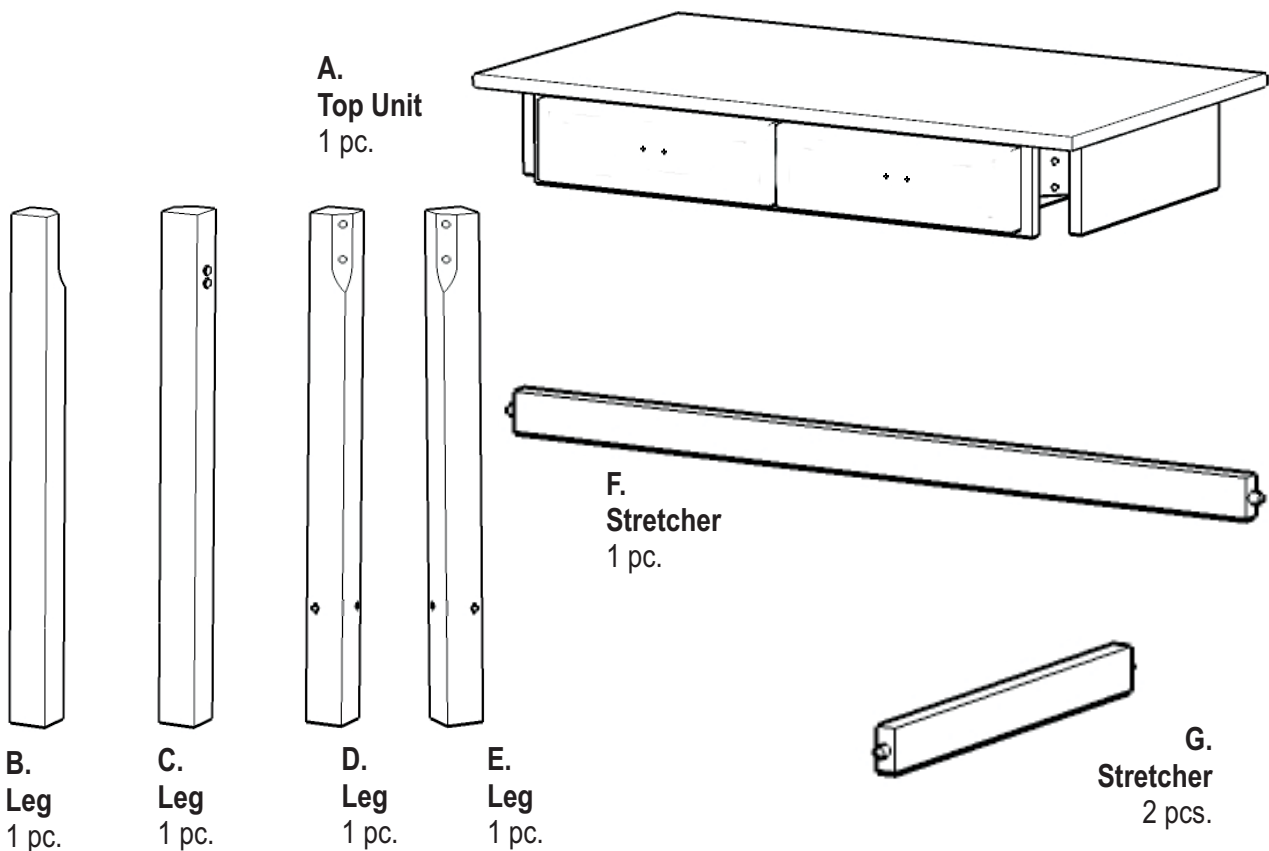
We have taken great care in the design of this product and request that you carefully and strictly follow our assembly instructions to ensure a completed product as it was designed.



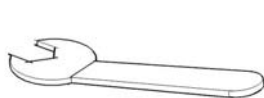
Casual Attire For Today's Home



PART LIST



HARDWARE LIST



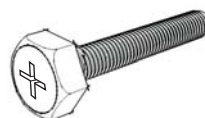
Key Wrench
1 pc.



Spring Washer
8 pcs. (+1 extra)



Flat Washer
8 pcs. (+1 extra)



Bolt
8 pcs. (+1 extra)



Wood Screw
6 pcs.

Tools Required For Assembly : Phillips screwdriver

Home Styles Consumer Assistance Line 888-680-7460 and 877-831-0319
servicedesk@homestyles-furniture.com

Assembly Instructions

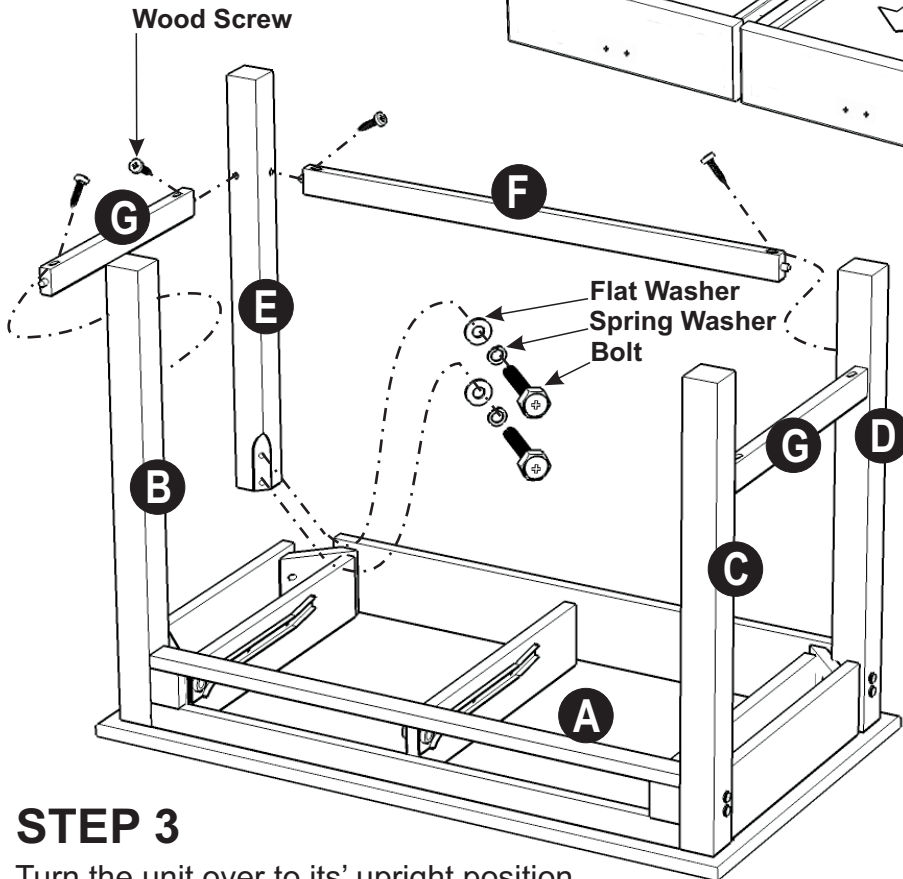
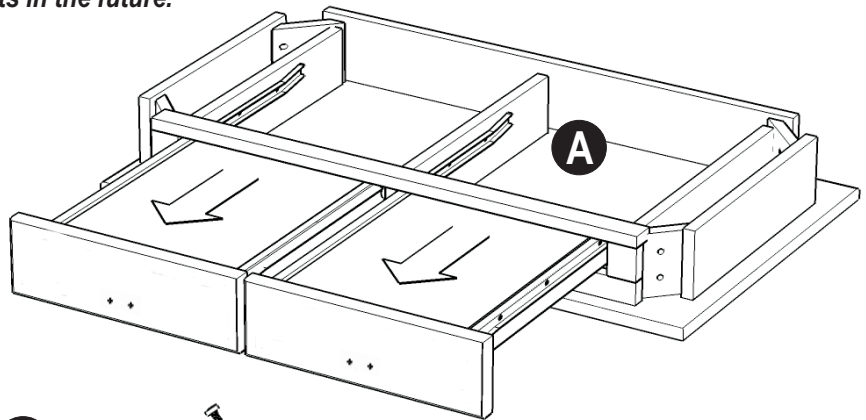
IMPORTANT

Do not tighten up all the screws until each part is properly assembled. You should keep Key Wrench in a safe place as you may need to tighten up the Head Cap Bolts in the future.

STEP 1

Turn the Top (A) upside down and place it on a soft cloth.

Remove all the drawers.



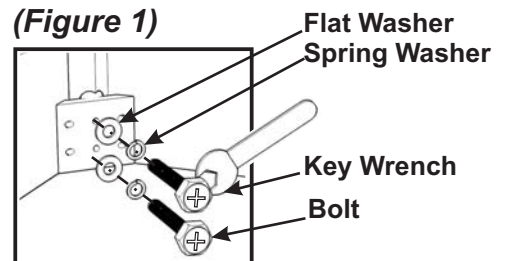
STEP 2

Attach Legs (B), (C), (D) and (E) to Top (A) with Flat Washers, Spring Washers and Bolts. (See figure 1)

Attach Stretcher (F) and (G) to the unit with Wood Screws.

Tighten all bolts.

(Figure 1)

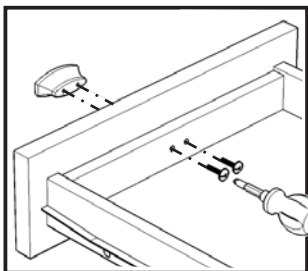


STEP 3

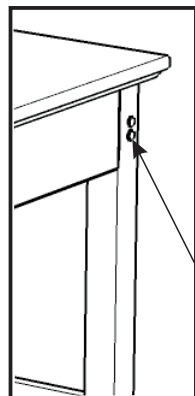
Turn the unit over to its' upright position.

Remove the Pull Handles that are installed on the inside of the drawers and re-install them on the outside of the drawer. (See figure 2)

Slide the drawers into position.



(Figure 2)



Note:
The holes are for use with the Student Desk Shelf.
The Student Desk Shelf is sold separately.

