

88 4528 95 Wood Top Kitchen Cart (Black Finish)

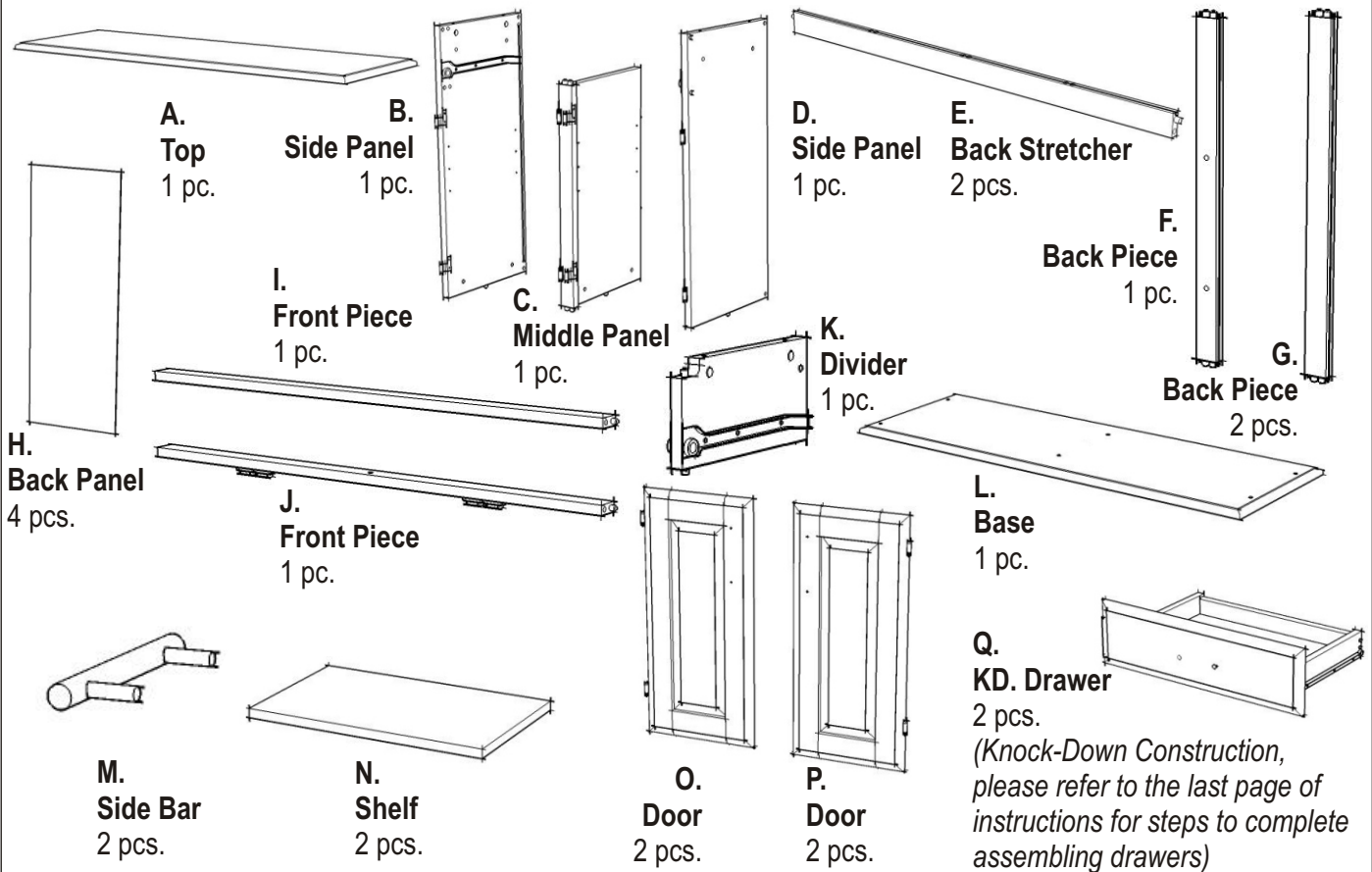


IMPORTANT NOTE

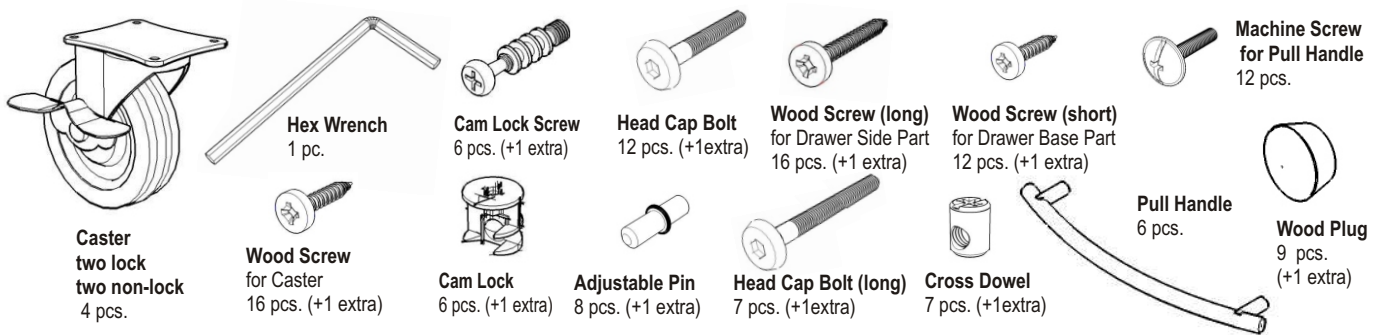
Carefully remove all the parts from the carton and put them individually on a soft cloth to prevent scratches or other damages occurring to the wood parts.

We have taken great care in the design of this product and request that you carefully and strictly follow our assembly instructions to ensure a completed product as it was designed.

PART LIST



HARDWARE LIST



Tools Required For Assembly : Phillips screwdriver

Home Styles Consumer Assistance Line 888-680-7460 and 877-831-0319
servicedesk@homestyles-furniture.com

Assembly Instructions 2/5

IMPORTANT

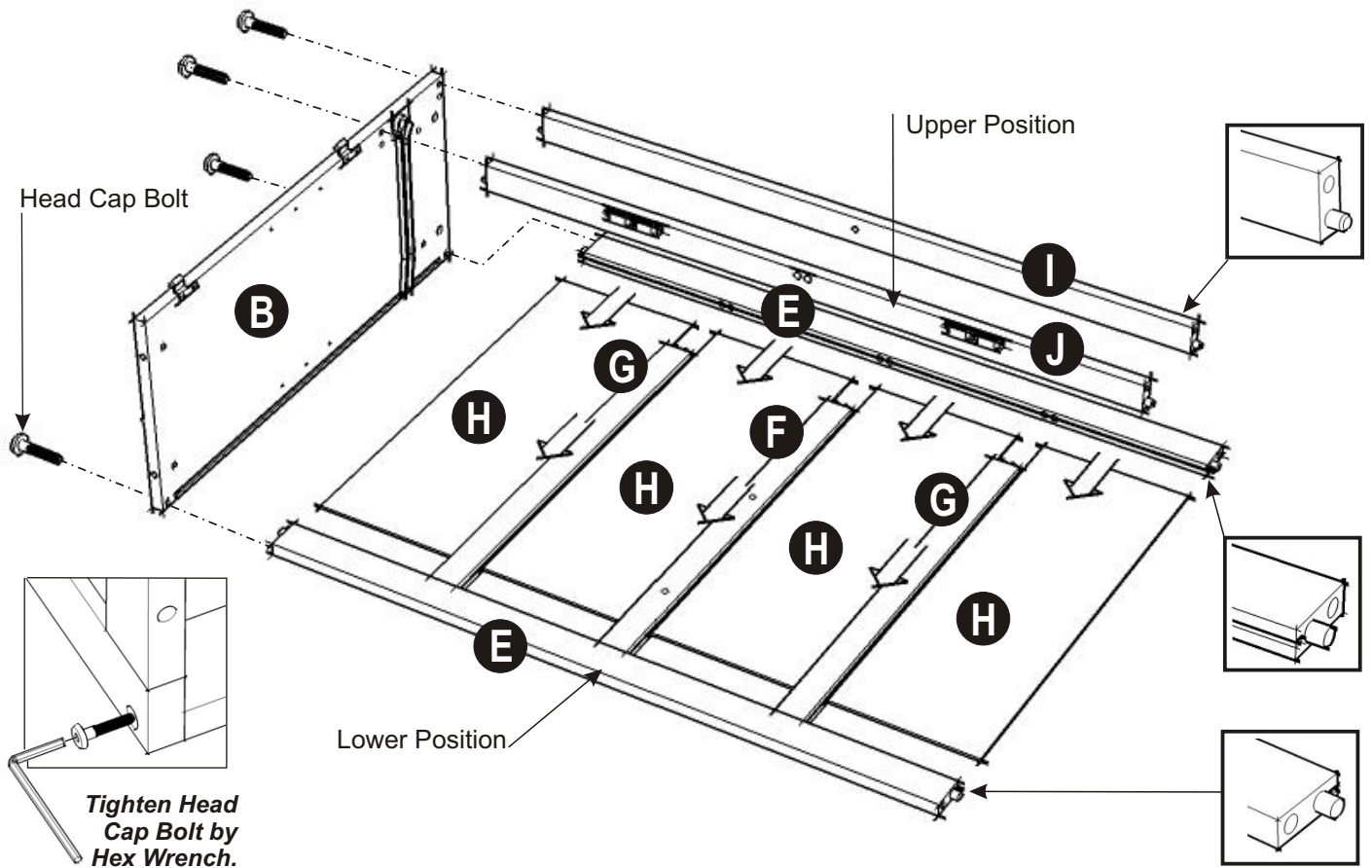
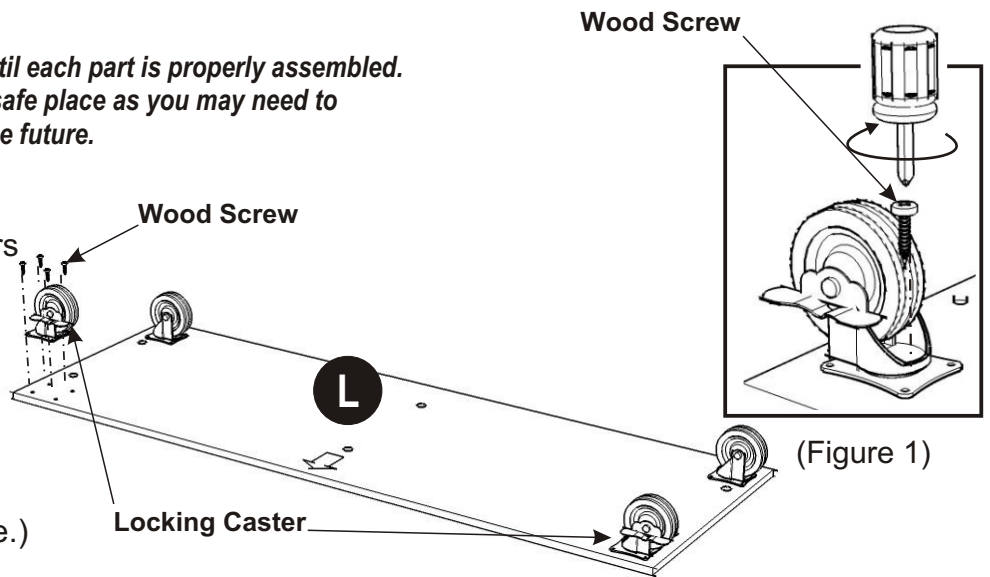
Do not tighten up all the screws until each part is properly assembled.
You should keep Hex Wrench in a safe place as you may need to tighten up the Head Cap Bolts in the future.

STEP 1

Attach the two locking Casters to the front of the Base (L).

Attach the two non-locking casters to the back of the Base (L). (See figure 1)

(Note : The 'Arrow' sticker indicates the front of the base.)



STEP 2

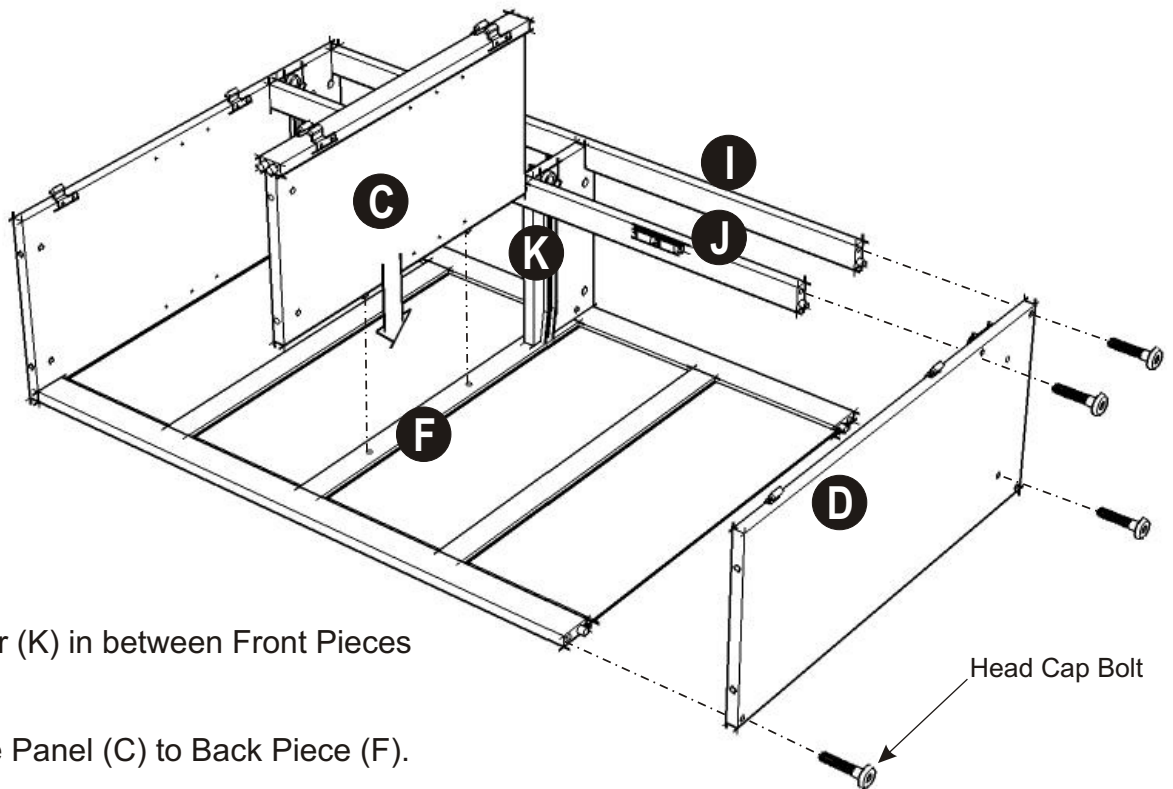
Attach Back Stretcher (E) to Side Panel (B) at the lower position with Head Cap Bolt.

Attach Back Pieces (F) and (G) to the Back Stretcher (E), then slide Back Panels (H) in place.

Attach Back Stretcher (E) to the unit at upper position.

Tighten the Head Cap Bolt.

Attach Front Pieces (I) and (J) to the unit with Head Cap Bolts.

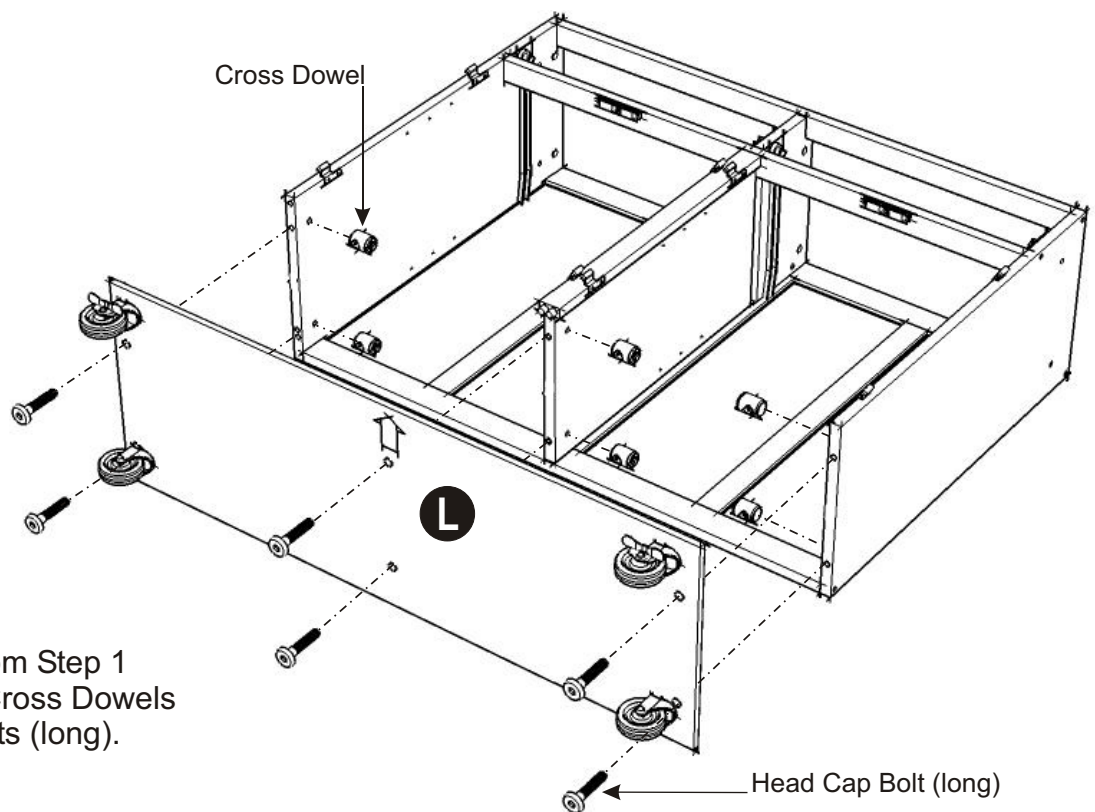


STEP 3

Attach Divider (K) in between Front Pieces (I) and (J).

Attach Middle Panel (C) to Back Piece (F).

Attach Side Panel (D) to the unit with Head Cap Bolts.



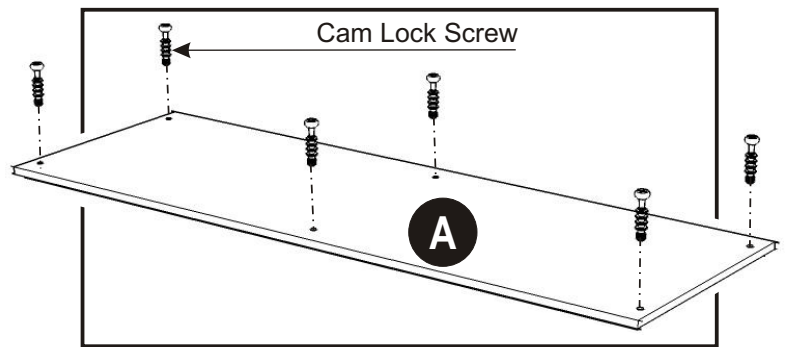
STEP 4

Attach Base (L) from Step 1 to the unit, using Cross Dowels and Head Cap Bolts (long).

Assembly Instructions 4/5

STEP 5

Put Cam Lock Screws into the pre-drilled holes in Top (A).



STEP 6

Attach Side Bar (M) to the unit with Head Cap Bolts.

Insert the Cross Dowel into the hole of Divider (K) and tighten Head Cap Bolt (long) from the back of unit.

Place Top (A) onto the unit, using Cam Locks.

Insert Adjustable Pins into the side panels and middle panel at the desired level.

Place Shelves (N) into position.

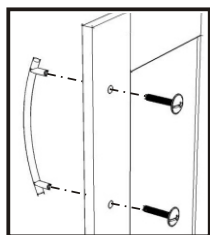
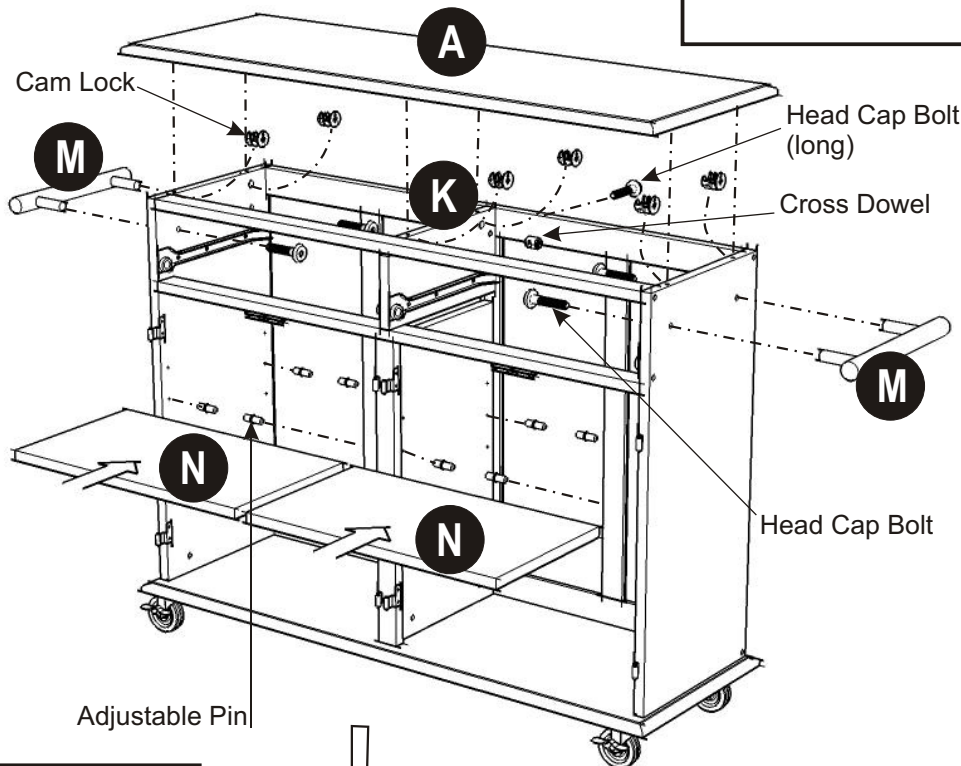


Figure 1

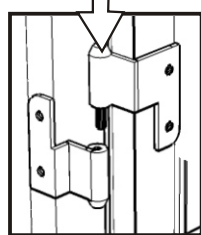


Figure 2

STEP 7

Attach Pull Handles to the Doors (O) and (P) using Machine Screws. (See figure 1)

Attach the Doors (O) and (P) to the side panels and middle panel slide the door lift hinges into the side panel and middle panel lift hinges. (See figure 2)

Slide the Drawers (Q) into place.

Cover up all holes with Wood Plug. (See figure 3)

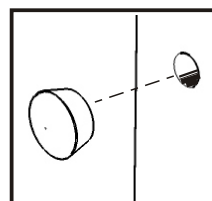
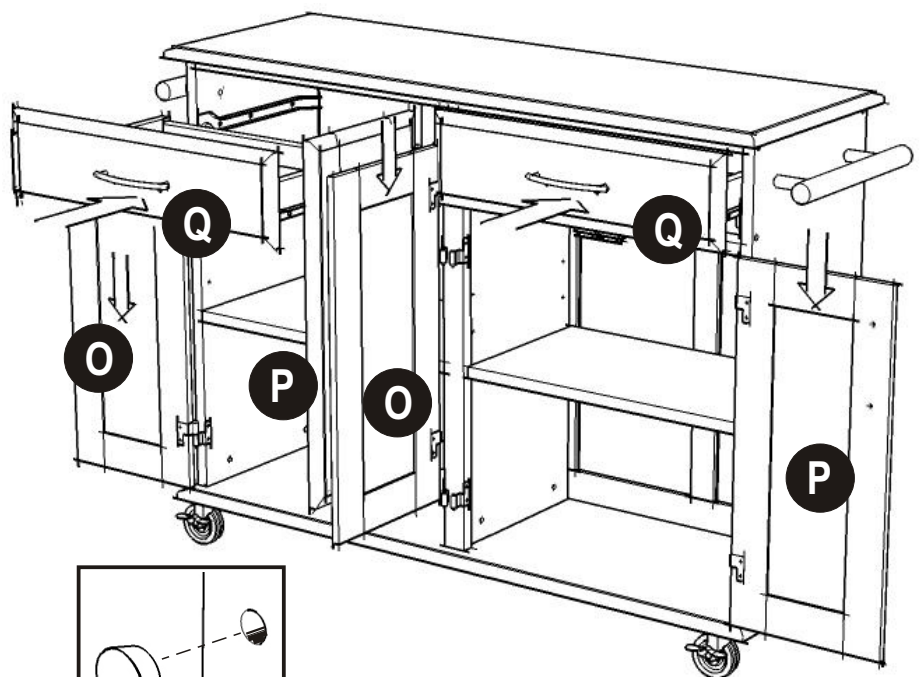
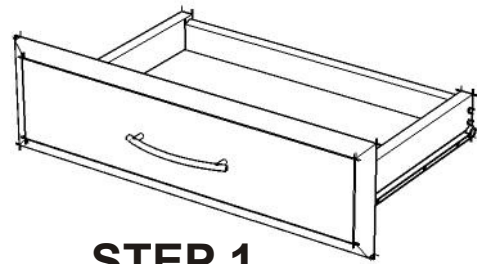


Figure 3

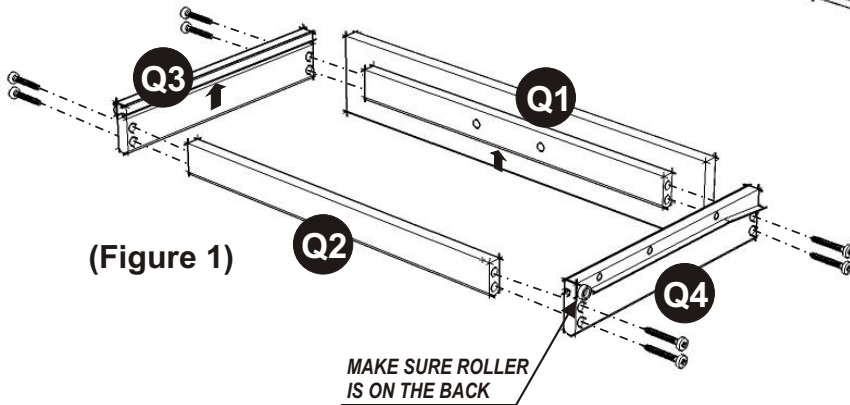
Drawer



STEP 1

Attach Q1 to Q3 and Q4, using a Phillips screwdriver and the long wood screws (4X), tighten halfway.

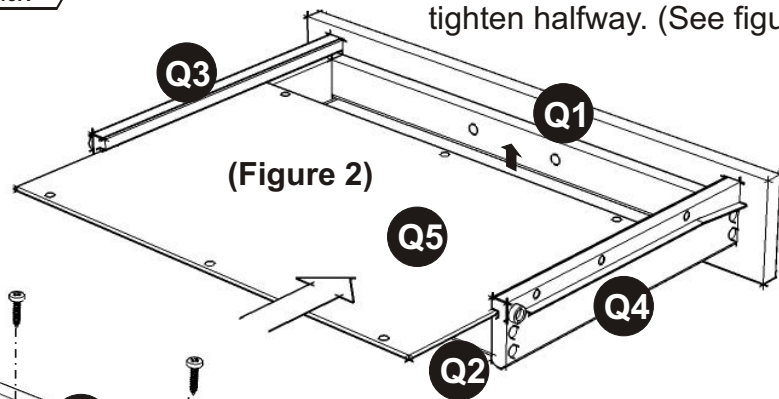
Attach Q2 to Q3 and Q4 using the long wood screws (4X), tighten halfway. (See figure 1)



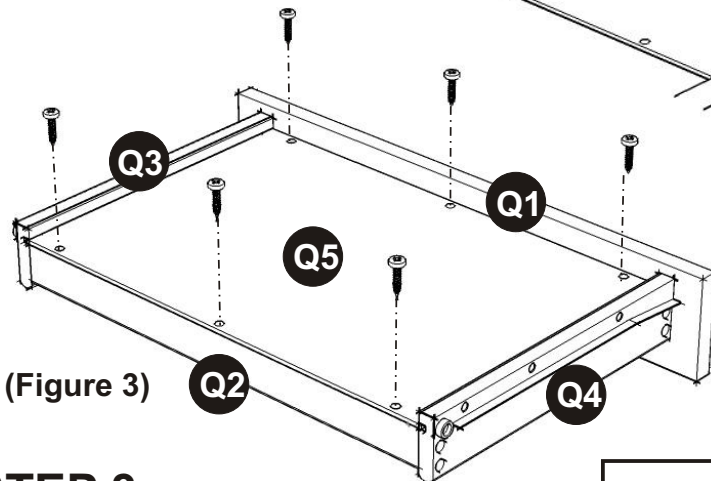
(Figure 1)

STEP 2

Slide Q5 into the grooves in Q3 and Q4. Be sure to push the Q5 all the way forward so it meets the Q1. (See figure 2)



(Figure 2)



(Figure 3)

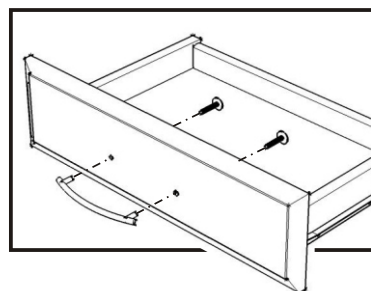
(Figure 4)

* If you are missing any of these parts, please contact our DMI Customer Service Department at 1-877-831-0319 or fax us at 1-800-755-2878.

STEP 3

Insert the short wood screws (6X) into the pre-drilled holes in Q5, tighten screws. (See figure 3)

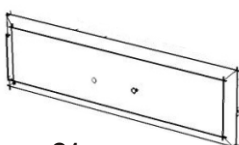
Tighten all screws used in drawer assembly.



STEP 4

Attach hardware pulls with machine screws. (See figure 4)

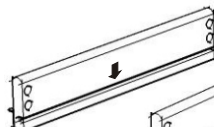
Part List



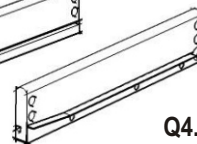
Q1.
Front Part
2 pcs.



Q2.
Back Part
2 pcs.



Q3.
Side Part
2 pcs.



Q4.
Side Part
2 pcs.



Q5.
Base Part
2 pcs.