

Top Assembly Instructions

88 9100 101 C
Solid Wood Top



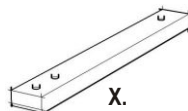
9100 Series

PART LIST

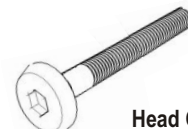


W1.
Top
1 pc.

HARDWARE LIST



X.
Top Support
2 pcs.

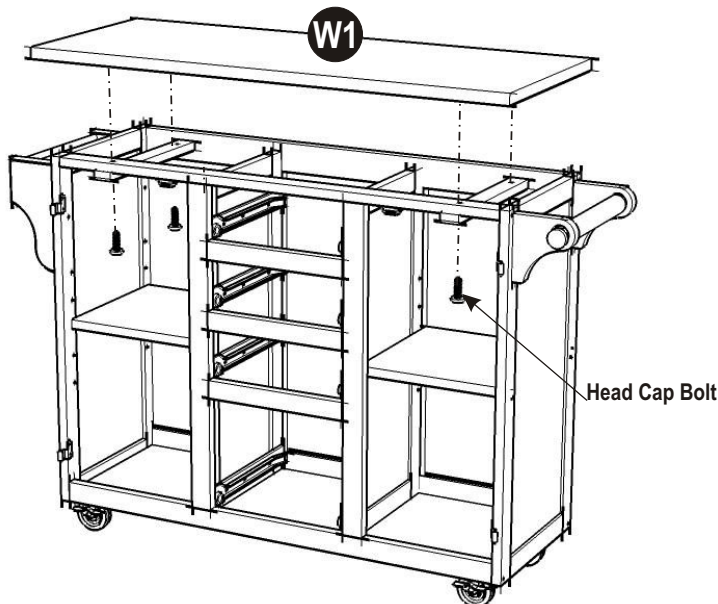
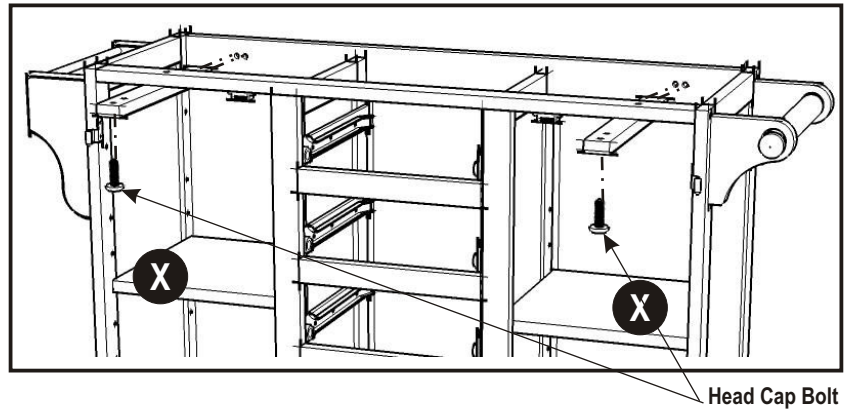


Head Cap Bolt
6 pcs. (+1 extra)

9100 Series Top Assembly Instructions

STEP 1

Put Top Support (X) into the pre-drilled holes, using Head Cap Bolts to attach it to the unit.



STEP 2

Place Top (W1) onto the unit, then tighten up all Head Cap Bolts.

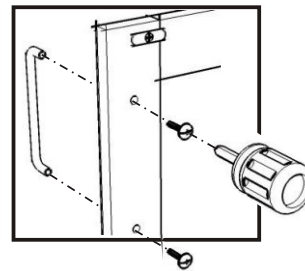


Figure 1

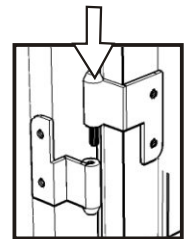


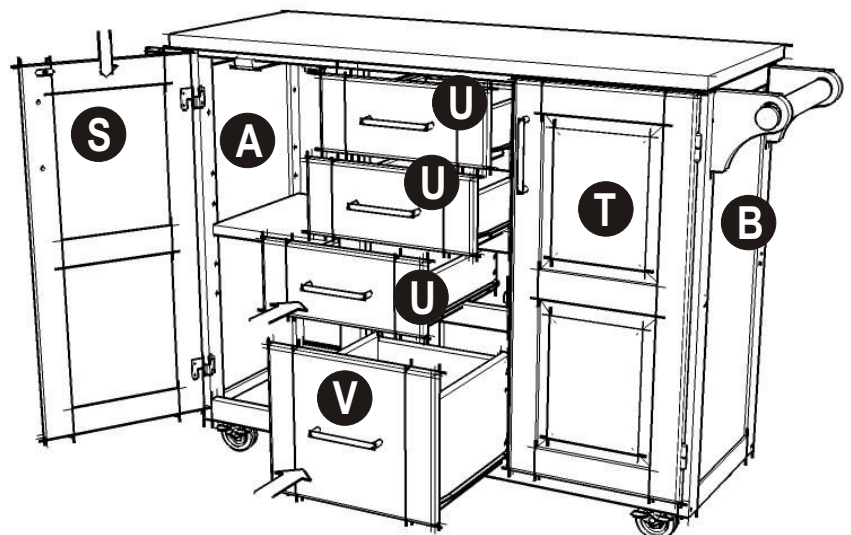
Figure 2

STEP 3

Attach Pull Handles to Door (S) and (T), using Machine Screws. (See figure 1)

Attach Door (S) and (T) to Side Panel (A) and (B), slide the door lift hinges into the side panel lift hinges. (See figure 2)

Slide Drawers (U) and (V) into place.



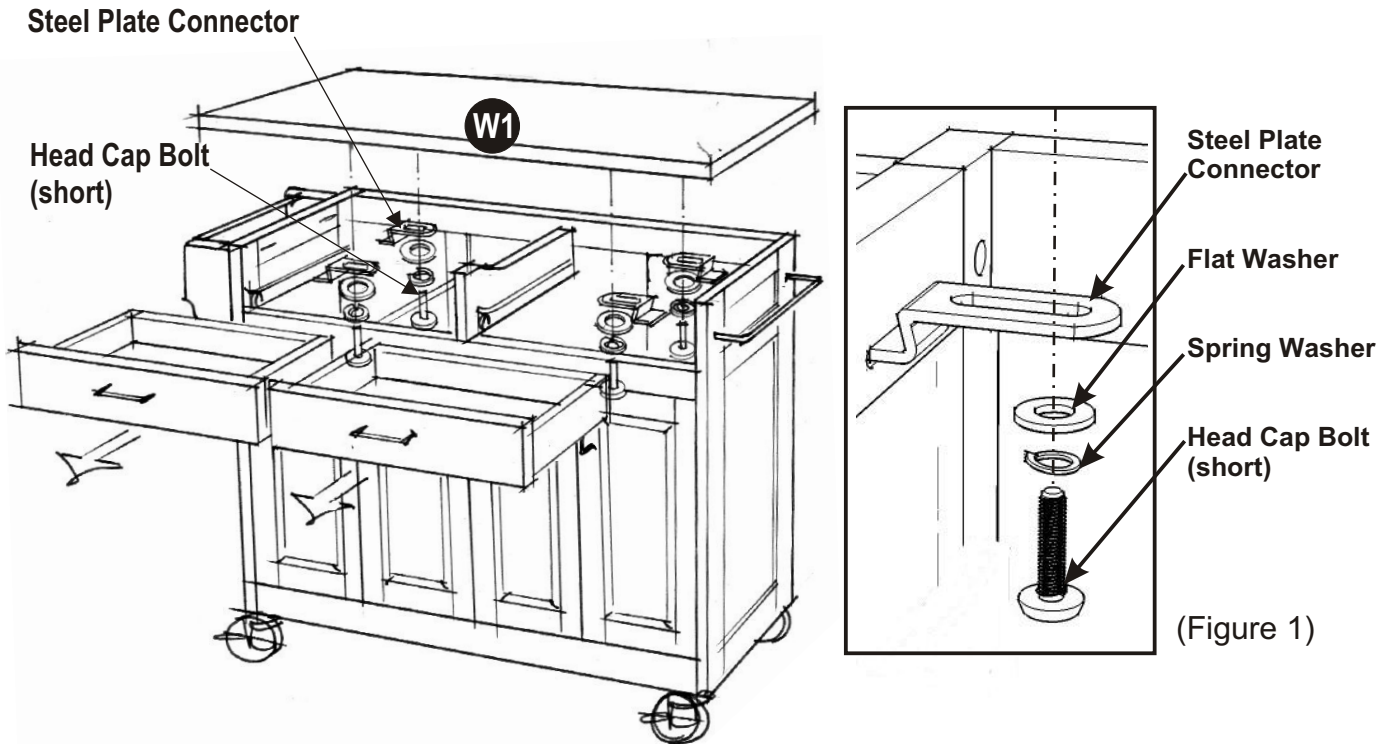
Top Assembly Instructions

88 9100 101 C
Solid Wood Top



9200 Series

9200 Series Top Assembly Instructions



STEP 1

Remove Drawers from the unit.

Place the selected 'Top' on the unit, attach it to the body with the Steel Plate Connectors, Flat Washers, Spring Washers and Head Cap Bolts. (See figure 1)

Slide the Drawers into place.

