

88 5516 06

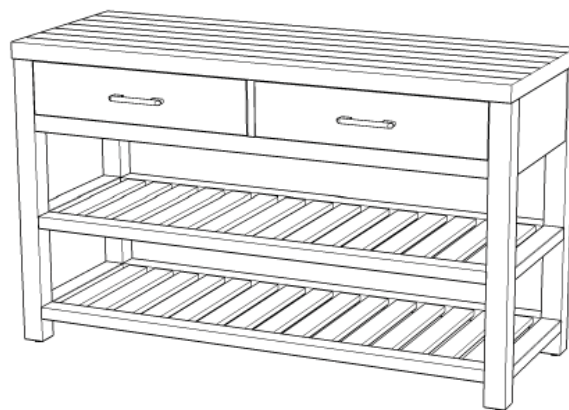
Barnside TV Console

IMPORTANT NOTE

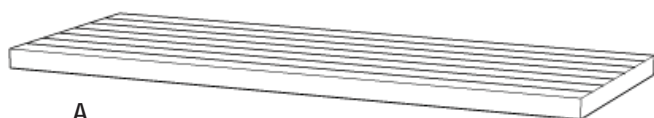
Carefully remove all the parts from the carton and put them individually on a soft cloth to prevent scratches or other damages occurring to the parts.

We have taken great care in the design of this product and request that you carefully and strictly follow our assembly instructions to ensure a completed product as it was designed.

Home
Styles



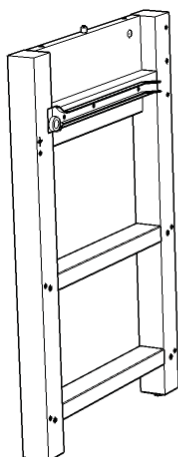
Part List



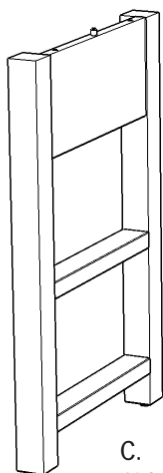
A.
Top
1 Pc.



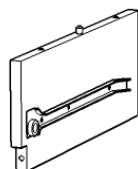
D.
Front Rail
1 Pc.



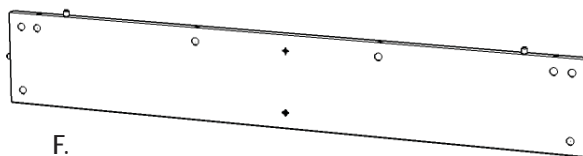
B.
Side Frame
1 Pc.



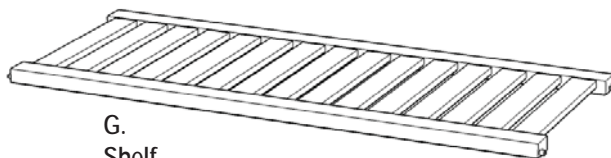
C.
Side Frame
1 Pc.



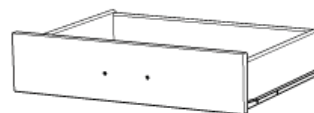
E.
Divider
1 Pc.



F.
Back Stretcher
1 Pc.



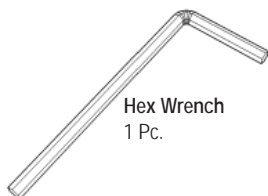
G.
Shelf
2 Pcs.



H.
Drawer
2 Pcs.

(Knock-Down Construction, please refer to the last page of instructions for steps to complete assembly)

Hardware List



Hex Wrench
1 Pc.



Cam Lock Screw
18 Pcs.(+1 extra)



Wood Screw (long)
for Side Drawer
16 Pcs.(+1 extra)



Wood Screw (short)
for Bottom Drawer
12 Pcs.(+1 extra)



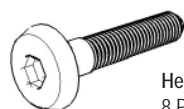
Machine Screw
4 Pcs.



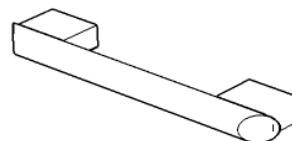
Small Hex Wrench
1 Pc.



Cam Lock
18 Pcs.(+4 extra)



Head Cap Bolt
8 Pcs.(+1 extra)



Pull Handle
2 Pcs.

Tools required for assembly : Phillips screwdriver

Tools recommended for assembly : Level

Home Styles Consumer Assistance: www.homestyles-furniture.com,
servicedesk@homestyles-furniture.com, 888-680-7460, 877-831-0319

Assembly Instructions 2/4

IMPORTANT

- * Please keep Hex Wrench in a safe place as you may need to tighten up the Head Cap Bolts in the future.
- * Do not tighten up all the screws until each part is properly assembled.
- * Use a soft cloth between these parts and the floor.
- * After assembly, item must be level to work properly. Use the included adjustable levelers to level.

STEP 1

Insert Cam Lock Screws into the pre-drilled holes of Top (A) and Side Frames (B) and (C). (see Figure 1)

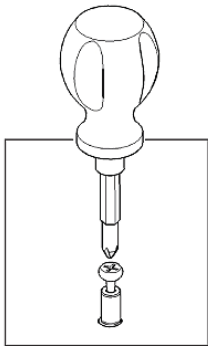
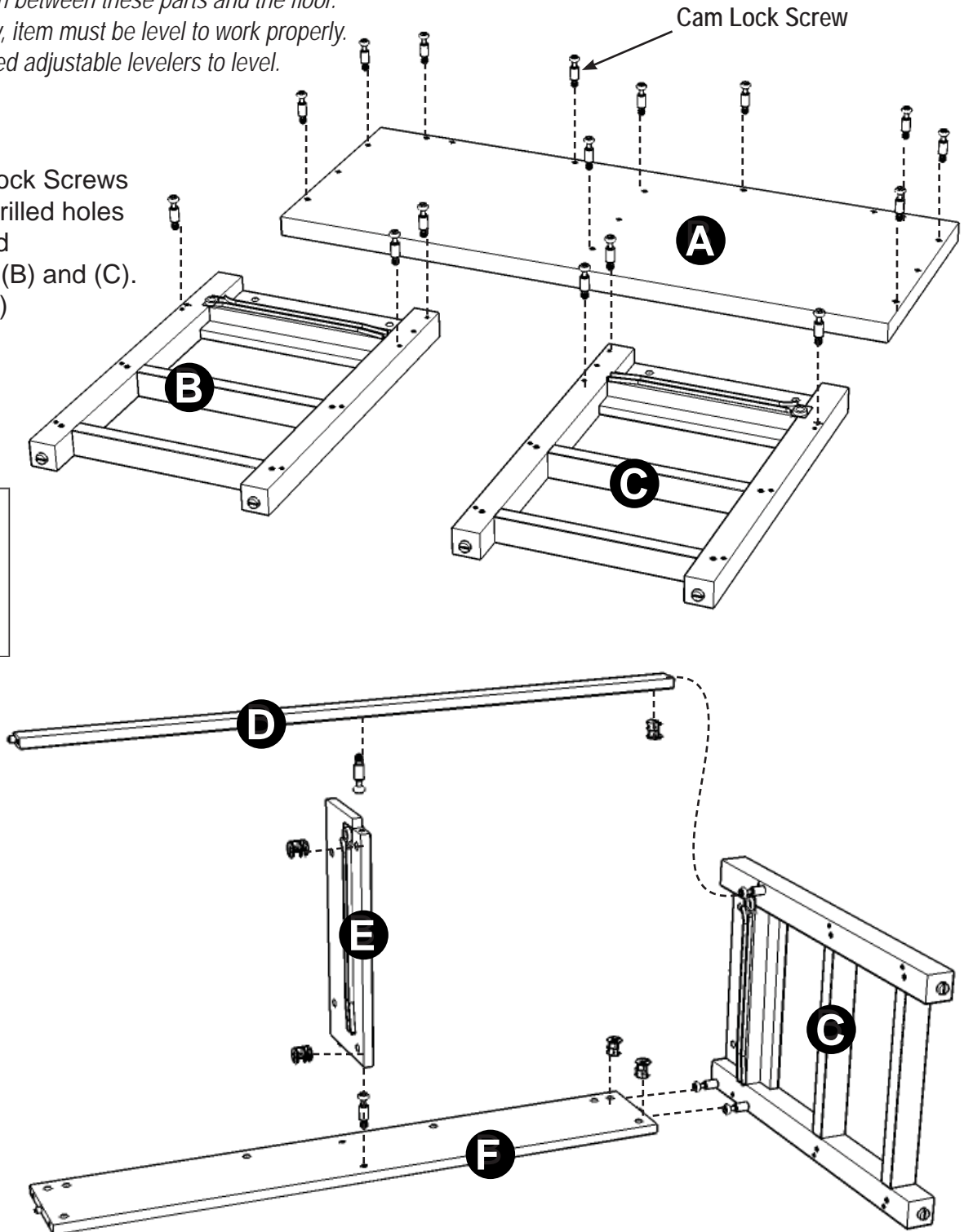


Figure 1



STEP 2

Attach Front Rail (D) and Back Stretcher (F) to Divider (E) with Cam Locks. (see Figure 2)

Attach Side Frame (C) to unit with Cam Locks.

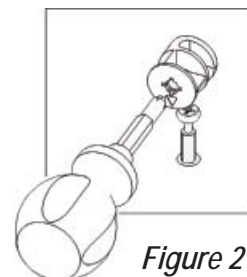
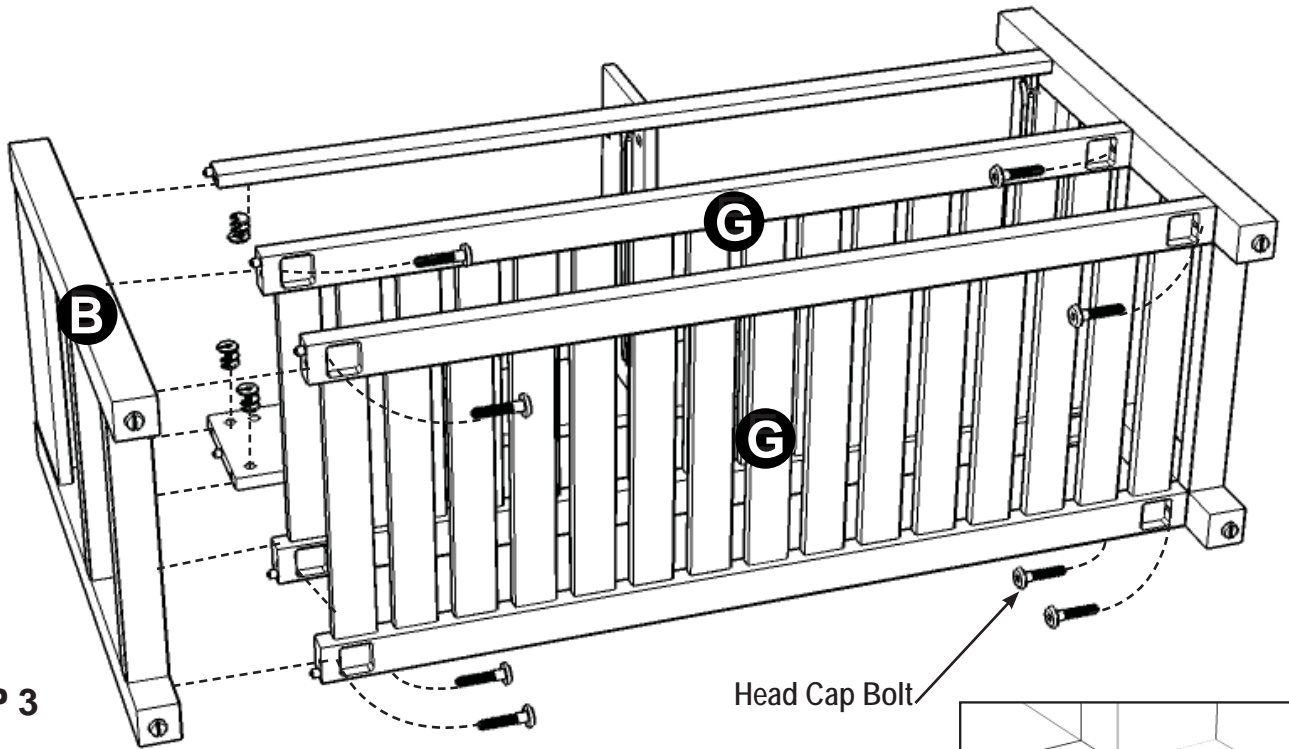


Figure 2



STEP 3

Attach Shelves (G) to unit with Head Cap Bolts. (see Figure 3)

Attach Side Frame (B) to unit with Cam Locks and Head Cap Bolts.

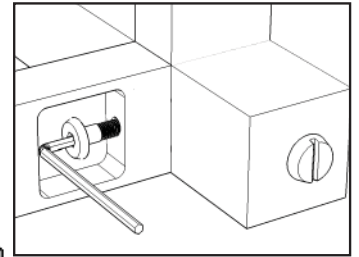
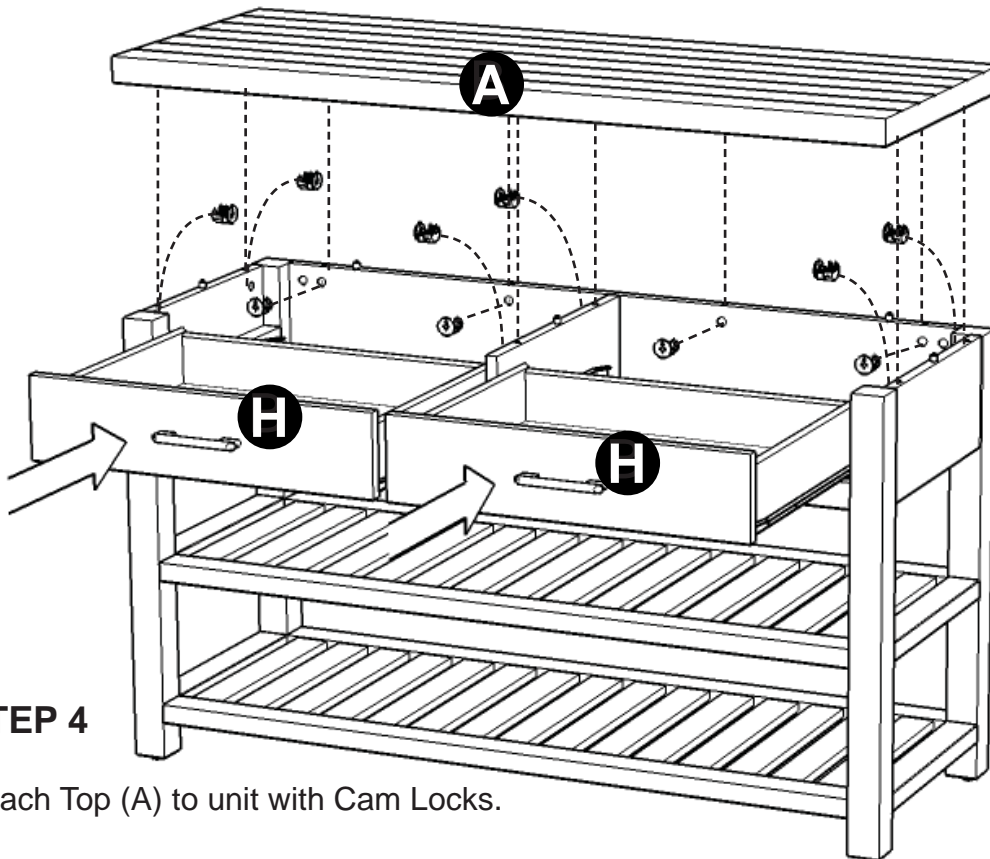


Figure 3



STEP 4

Attach Top (A) to unit with Cam Locks.

Slide Drawers (H) into position.

To level the unit, adjust the adjustable levelers on the bottom of the legs. (See figure 4)

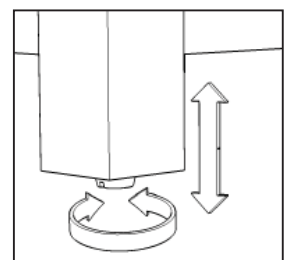
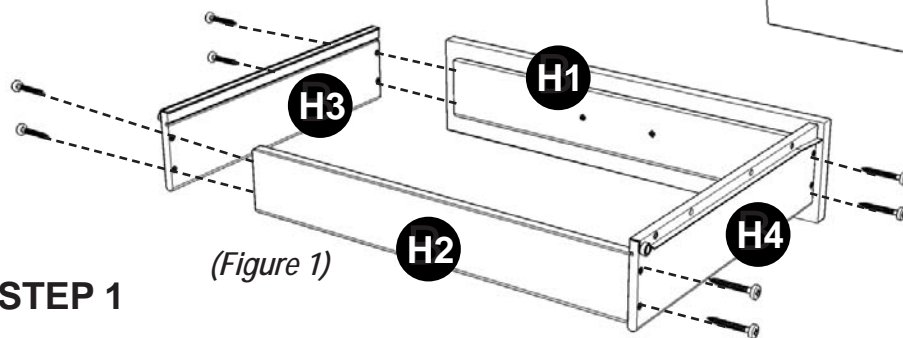


Figure 4

Note: Unit must be level to work properly.

Drawer (H)

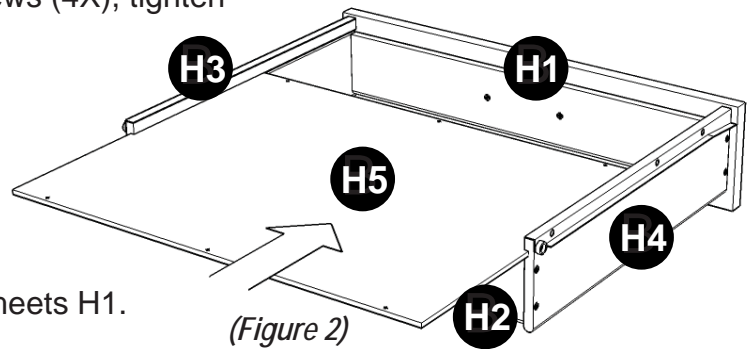


(Figure 1)

STEP 1

Attach H1 to H3 and H4, using a Phillips screwdriver and long wood screws (4X), tighten halfway.

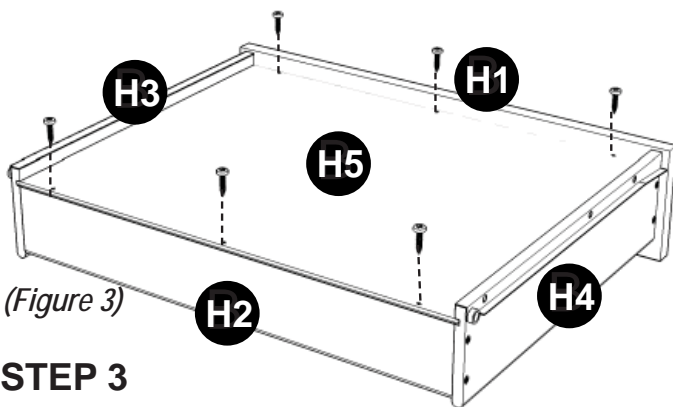
Attach H2 to H3 and H4 using long wood screws (4X), tighten halfway. (see Figure 1)



(Figure 2)

STEP 2

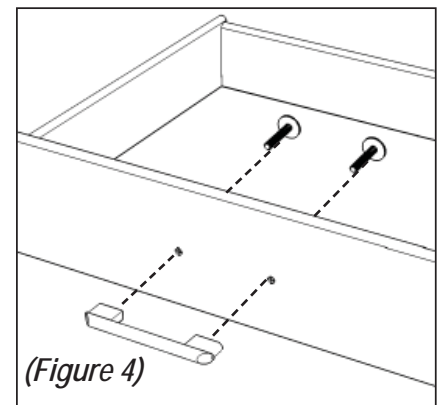
Slide H5 into the grooves in H3 and H4. Be sure to push H5 all the way forward so it meets H1. (see Figure 2)



(Figure 3)

STEP 3

Insert short wood screws (4X) into the pre-drilled holes in H5 and tighten. (see Figure 3)



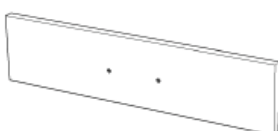
(Figure 4)

STEP 4

Assemble Pull Handle with machine screws. (see Figure 4)

Tighten all screws used in drawer assembly.

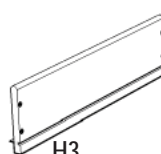
Part List



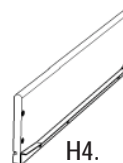
H1.
Front Part
2 Pcs.



H2.
Back Part
2 Pcs.



H3.
Side Part
2 Pcs.



H4.
Side Part
2 Pcs.



H5.
Side Part
2 Pcs.