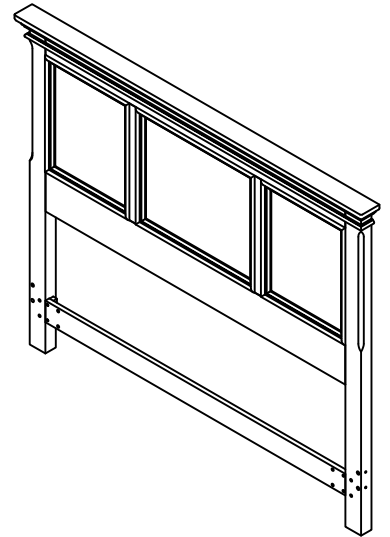


# 88 5528 501

## Colonial Classic

### Queen Headboard



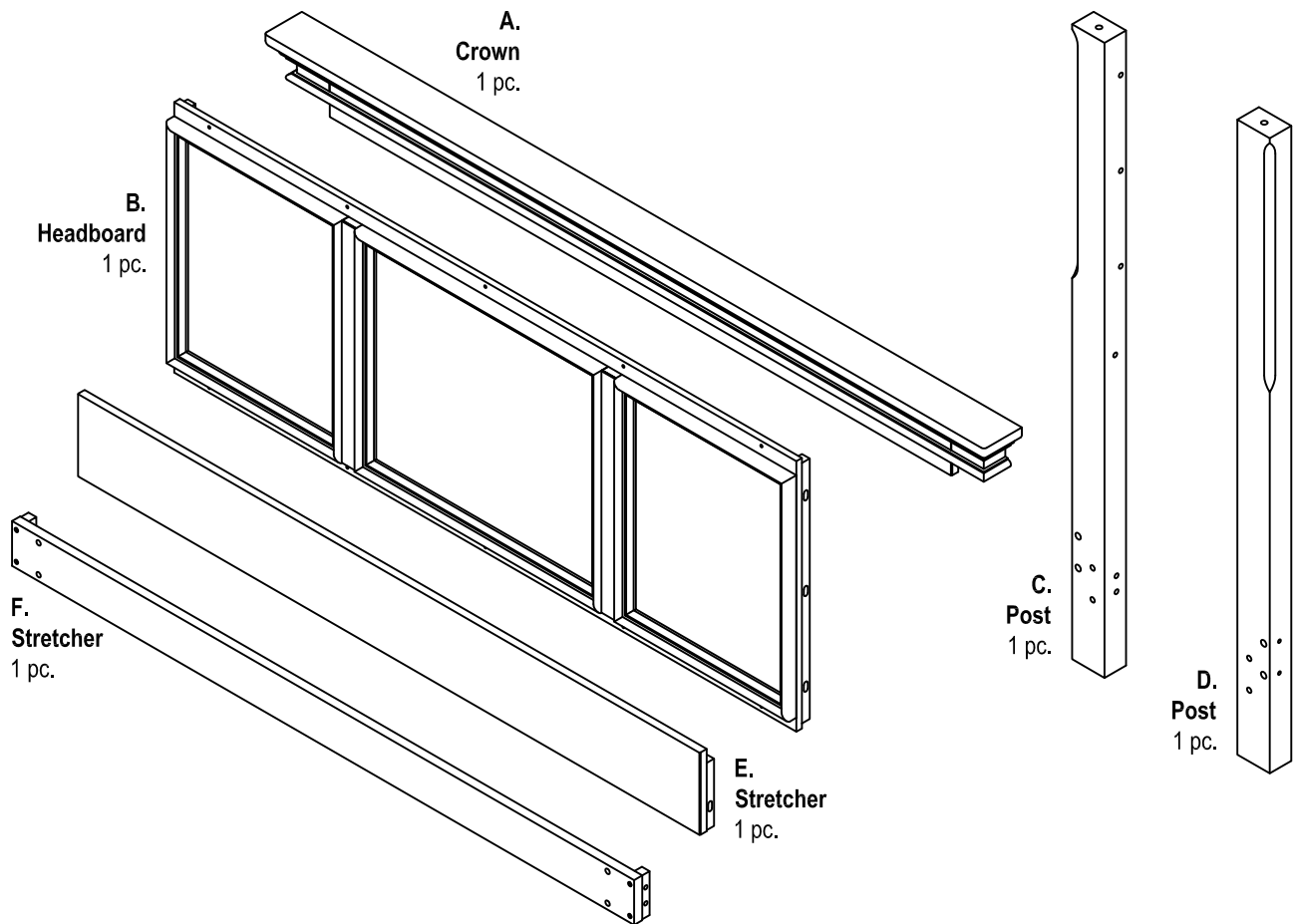
#### IMPORTANT NOTE

Carefully remove all the parts from the carton and put them individually on a soft cloth to prevent scratches or other damages occurring to the parts.

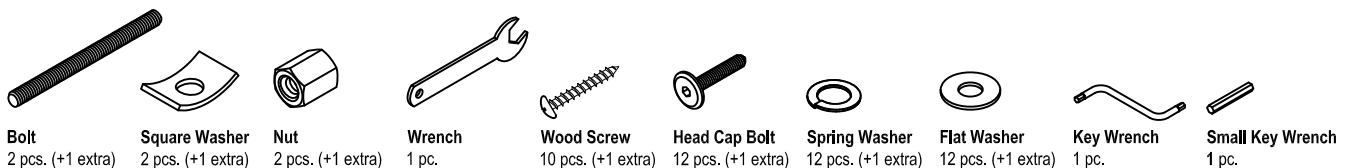
We have taken great care in the design of this product and request that you carefully and strictly follow our assembly instructions to ensure a completed product as it was designed.

*Home Styles*

## Part List



## Hardware List



**Tools Required For Assembly :** Phillips screwdriver

**Home Styles Consumer Assistance:** [www.homestyles-furniture.com](http://www.homestyles-furniture.com),  
[servicedesk@homestyles-furniture.com](mailto:servicedesk@homestyles-furniture.com), 888-680-7460, 877-831-0319

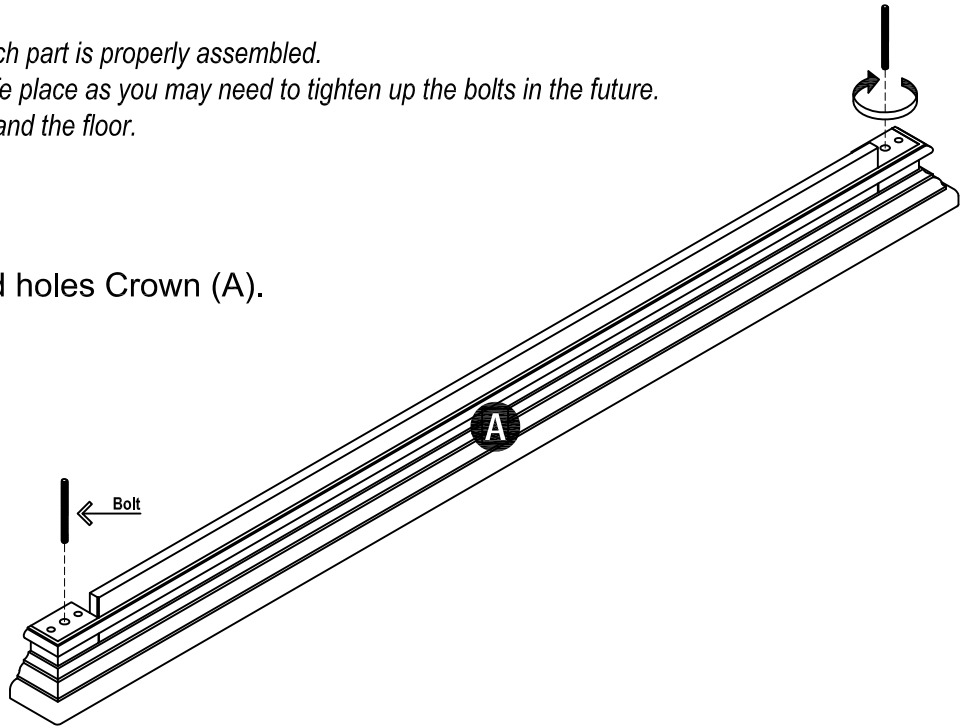
## Assembly Instructions 2/4

### IMPORTANT

- \* Do not tighten up all the bolts until each part is properly assembled.
- \* You should keep Key Wrench in a safe place as you may need to tighten up the bolts in the future.
- \* Use a soft cloth between these parts and the floor.

### STEP 1

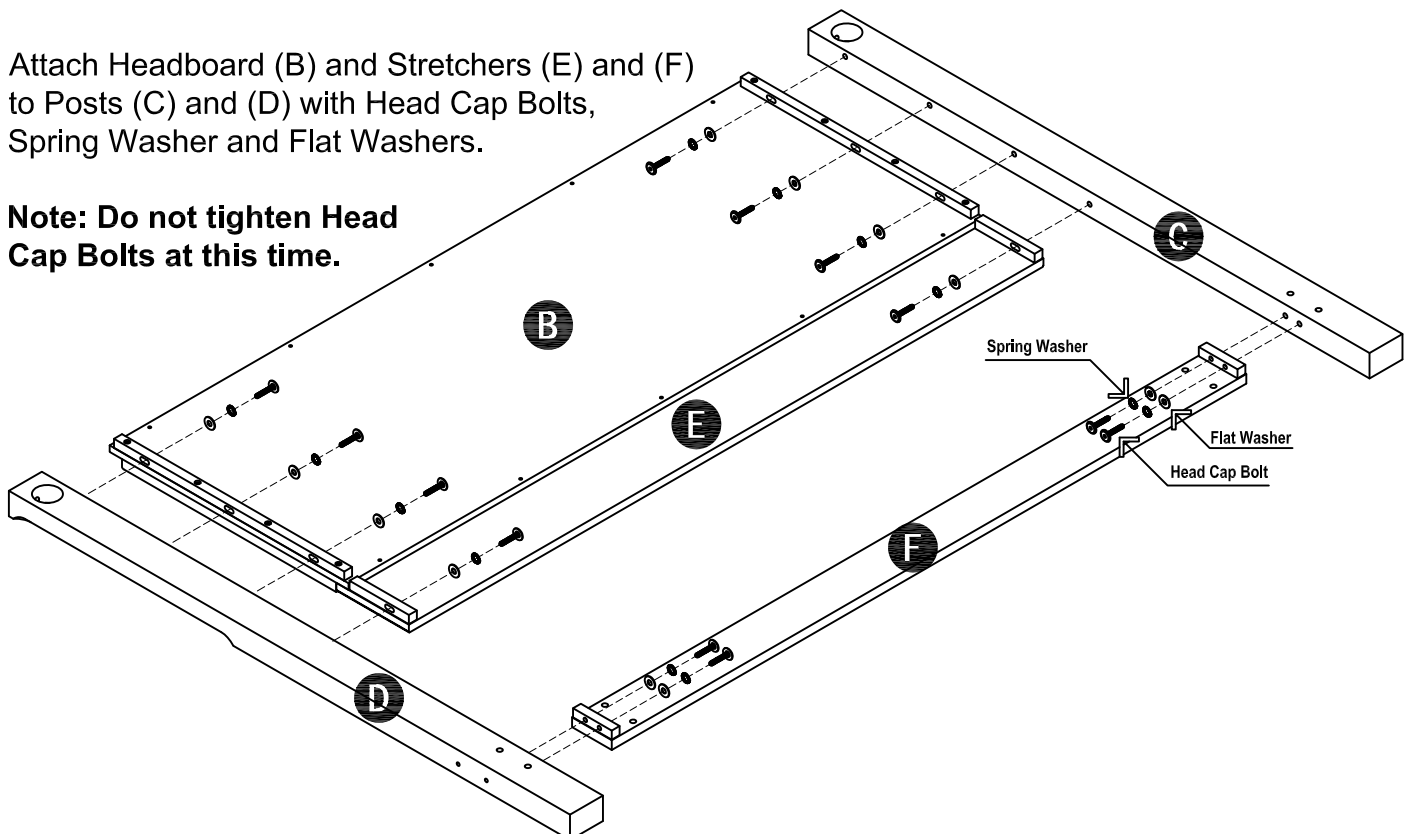
Insert Bolts into the pre-drilled holes Crown (A).



### STEP 2

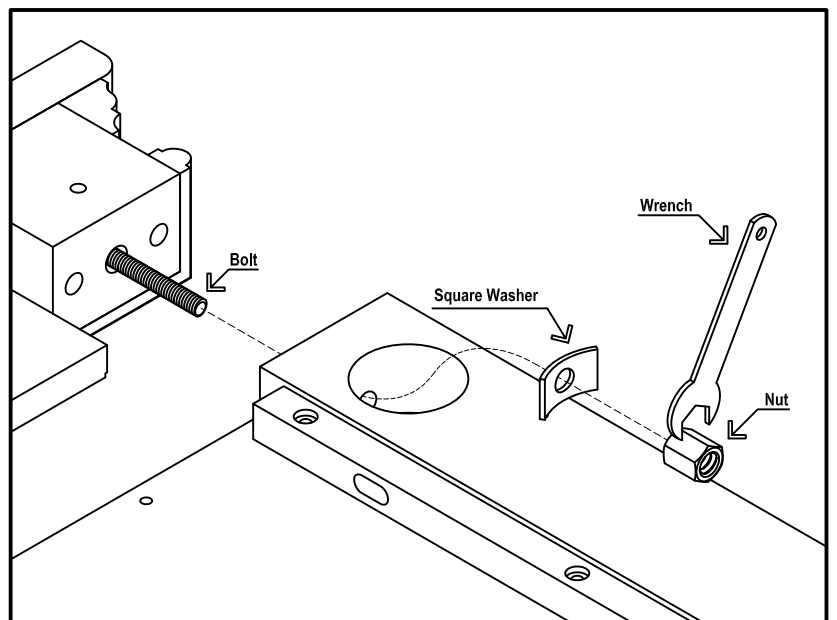
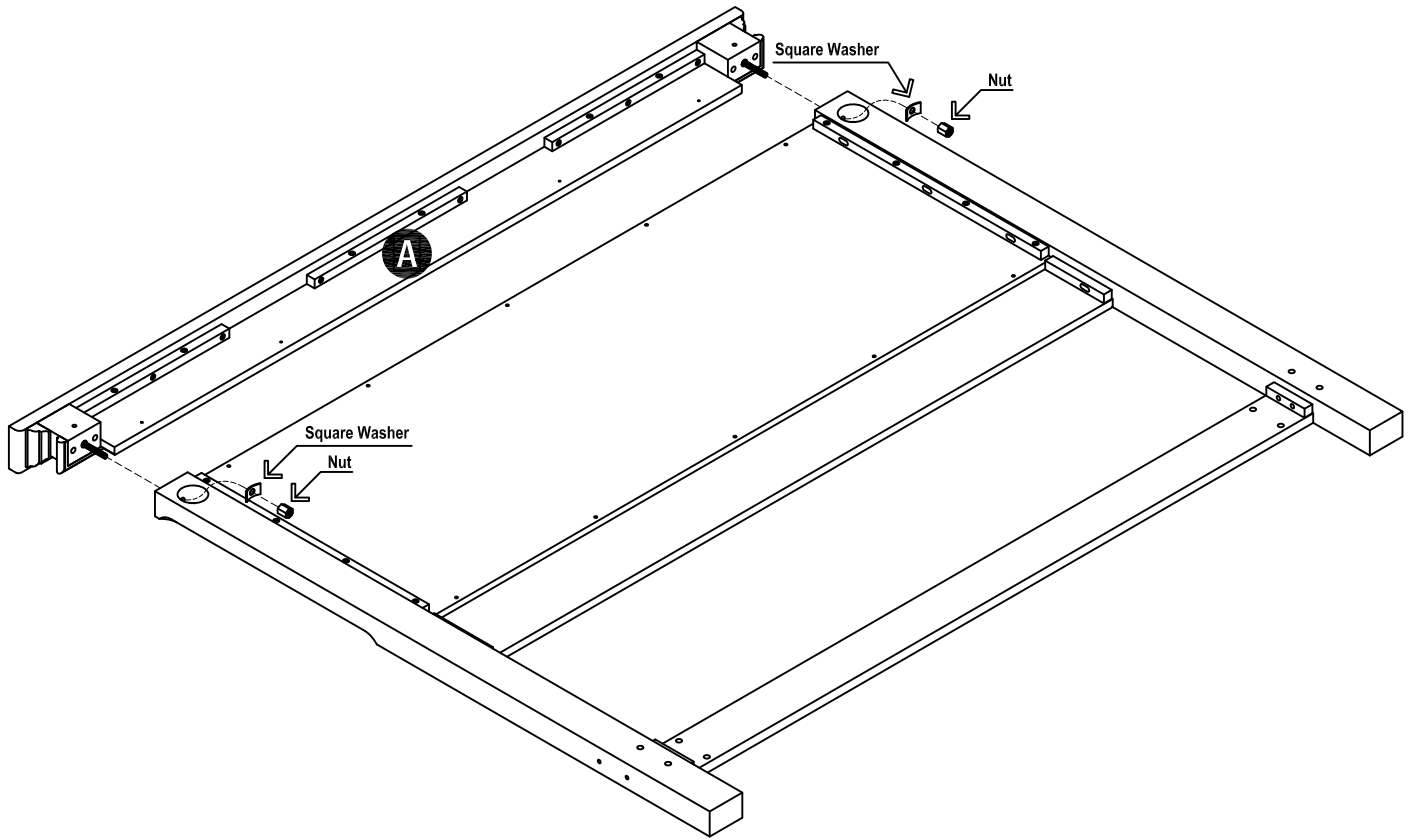
Attach Headboard (B) and Stretchers (E) and (F) to Posts (C) and (D) with Head Cap Bolts, Spring Washer and Flat Washers.

**Note: Do not tighten Head Cap Bolts at this time.**



**STEP 3**

Attach Crown (A) to unit with Square Washers and Nuts.  
Tighten all the Nuts with Wrench.  
(see Figure 1)



**Figure 1**

## STEP 4

Push Headboard (B) and Stretcher (E) firmly towards Crown (A) and hold in place.

Attach Wood Screws to unit.

Tighten the Head Cap Bolts from Step 2 completely with Key Wrench as shown. (see Figure 2)

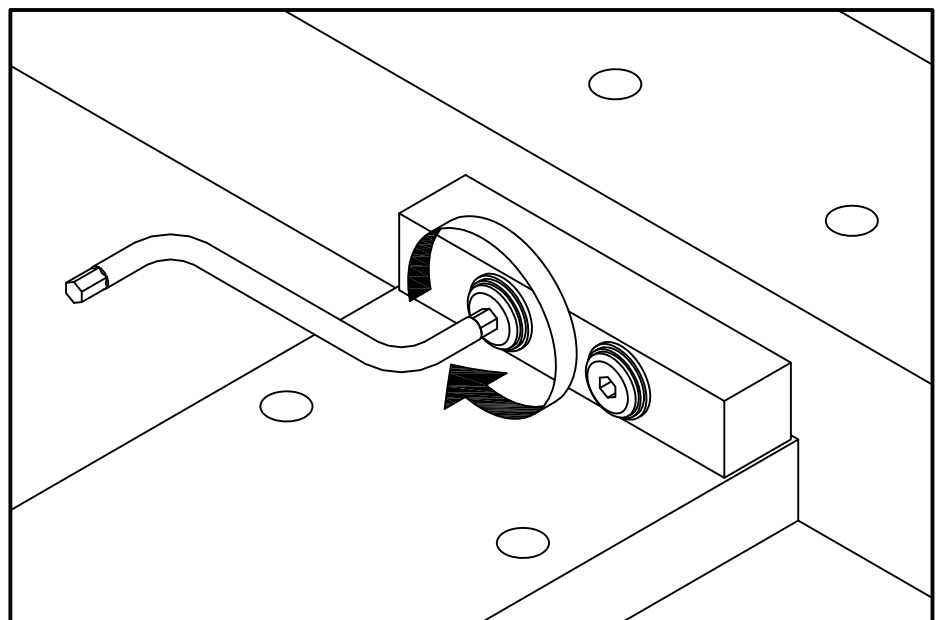
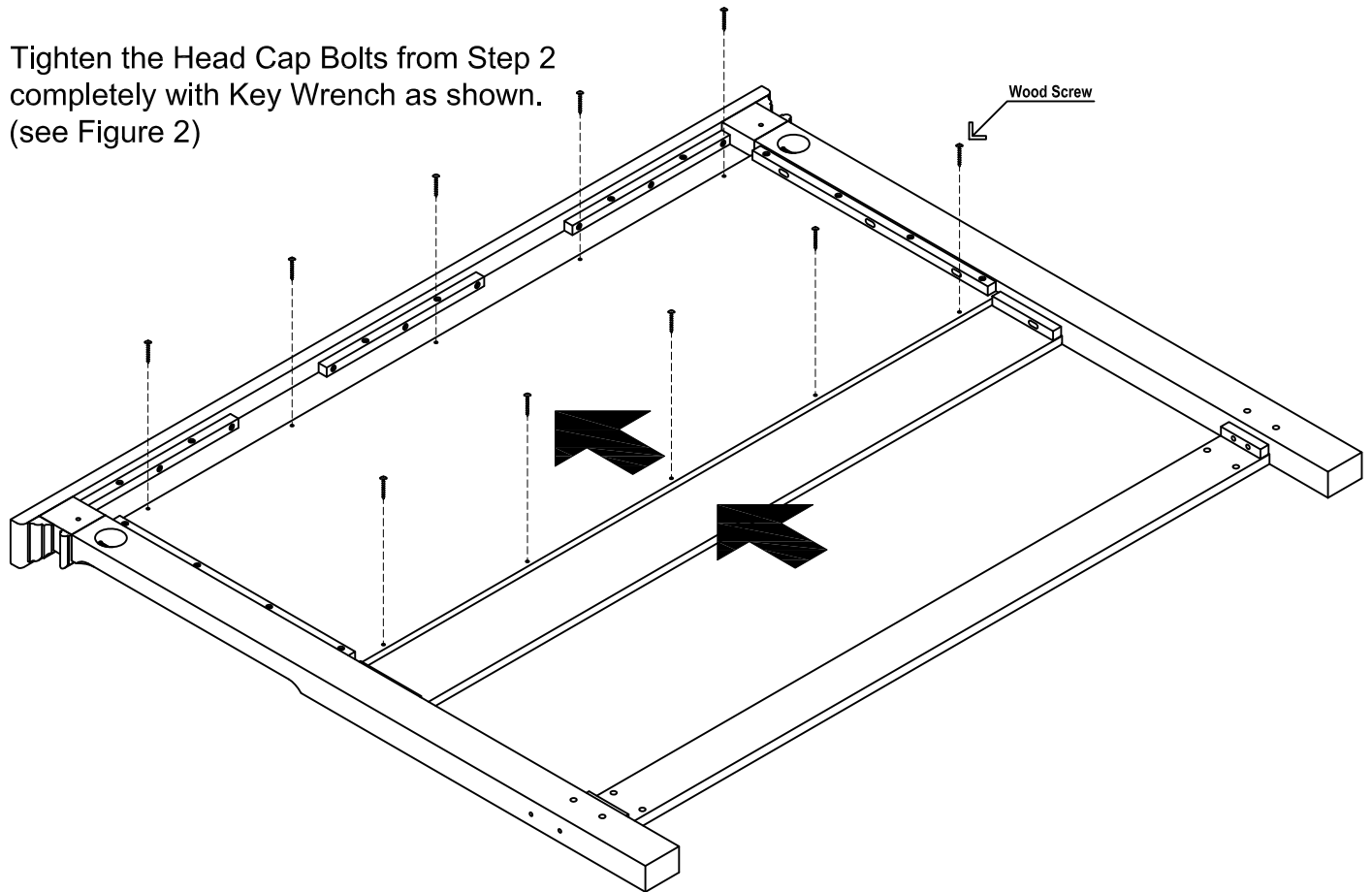


Figure 2

# VERY IMPORTANT !!

## CARE INSTRUCTIONS

### NEVER

USE GLASS CLEANERS ON FINISHED FURNITURE. AMMONIA WILL CHEMICALLY ATTACK THE LACQUER.

### NEVER

ALLOW LIQUIDS OF ANY KIND TO REMAIN ON THE FURNITURE. ABSORPTION CAUSES WOOD TO WARP AND SPLIT AND FINISHES TO DELAMINATE.

DO NOT WRITE DIRECTLY ON SURFACE.



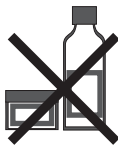
**PREVENT MARKING**

DO NOT PLACE IN DIRECT SUNLIGHT.



**PREVENT FADING**

DO NOT USE COMMERCIAL WAXES AND POLISHES.



**PREVENT YELLOWING**

DO NOT PLACE HOT OBJECTS ON SURFACE.



**PREVENT FINISH DAMAGE**

DO NOT USE RUBBER BASED PLACE MATS.



**PREVENT DISCOLORING**

## TO CLEAN

USE A SOFT CLOTH MOISTENED IN LEMON OIL POLISH OR LUKEWARM SOAP AND WATER, THEN BUFF WITH A DRY CLEAN CLOTH.



Home Styles will provide replacements free of charge for missing or damaged hardware or parts within 30 days of purchase. Digital images of the defective parts may be required. If this product was not purchased from an authorized retail affiliate, Home Styles is under no obligation to provide replacement parts. Parts are not available for fully assembled items nor are parts available for sale. Replacements for missing or damaged hardware or parts may be requested at:

[www.homestyles-furniture.com/customer\\_service](http://www.homestyles-furniture.com/customer_service)

**Home Styles Consumer Assistance:** [www.homestyles-furniture.com](http://www.homestyles-furniture.com),  
[servicedesk@homestyles-furniture.com](mailto:servicedesk@homestyles-furniture.com), 888-680-7460, 877-831-0319