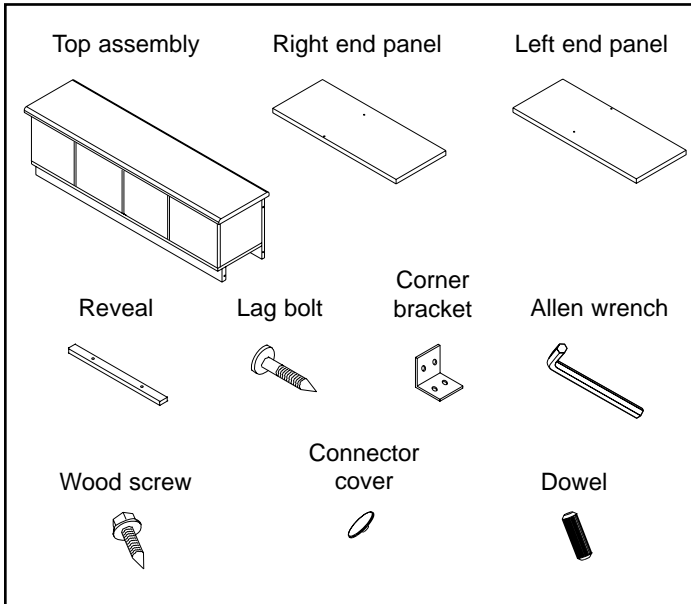


# 10534 STACK-ON UNITS

# INSTALLATION INSTRUCTIONS

**Illustration 1**



Read all instructions and review illustrations before installing.

Tools required for assembly:

- |                             |               |
|-----------------------------|---------------|
| 1/4" power nutdriver        | Drill         |
| Tape measure                | Masking tape  |
| Safety glasses              | Rubber mallet |
| 4mm Allen wrench (supplied) |               |

This assembly includes (Illustration 1):

- |                     |                      |
|---------------------|----------------------|
| (1) Top assembly    | (4) Lag bolt         |
| (1) Right end panel | (8) Dowel            |
| (1) Left end panel  | (2) Reveal           |
| (4) Corner bracket  | (1) Allen wrench     |
| (16) Wood screw     | (10) Connector cover |

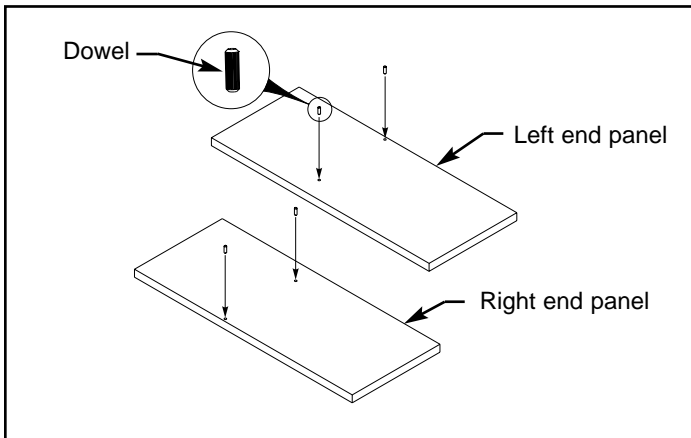
## WARNING

Wood products are heavier than they appear and may be hard to control when moving. Use two or more people when moving wood products or severe personal injury may result.

Heavy panels can pinch or crush fingers. Do not place fingers between or under panels during assembly.

To prevent the possibility of serious eye injury, always wear eye protection when hammering and using power tools.

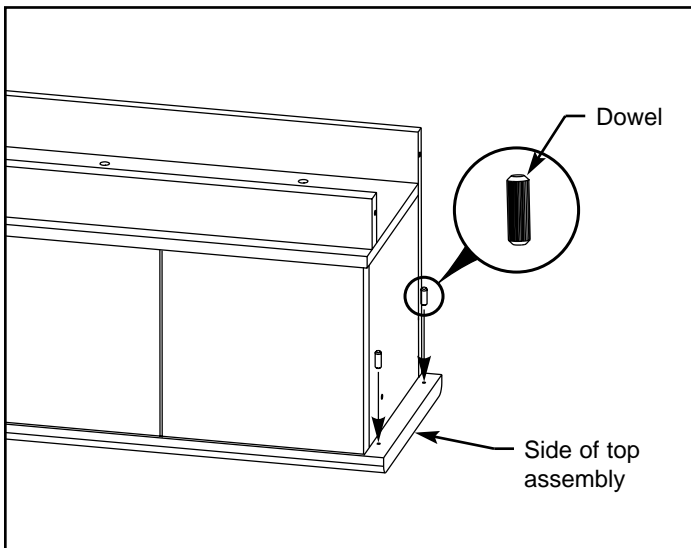
**Illustration 2**



**Assembly:**

1. Refer to Illustration 2. Lay right end panel, with holes up, on cardboard or a carpeted surface. Use the rubber mallet to install two dowels (from hardware pack) into locations shown. Repeat this procedure for left end panel.

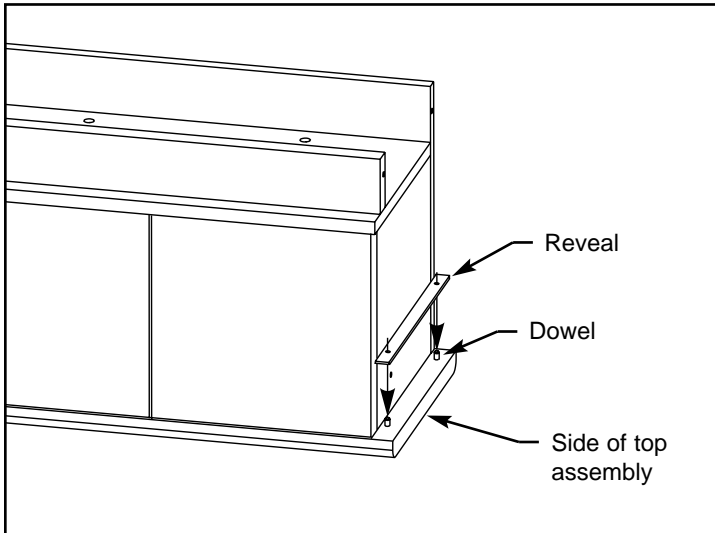
**Illustration 3**



2. Refer to Illustration 3. Lay top assembly upside down on cardboard or a carpeted surface. Use the rubber mallet to install dowels (from hardware pack) into two holes along each side of top assembly.

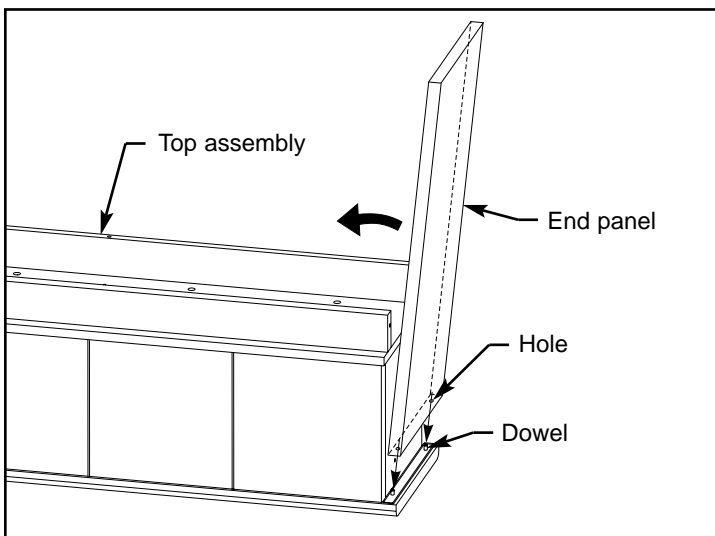
# 10534 STACK-ON UNITS

Illustration 4



3. Refer to Illustration 4. Install reveals (taped to end panels) onto two dowels along each side of top assembly.

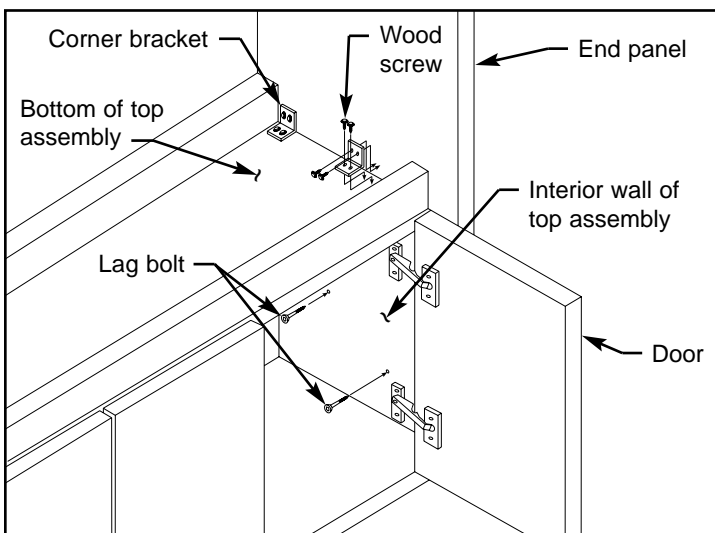
Illustration 5



4. Refer to Illustration 5. With dowels facing top assembly, install end panels by inserting ends of dowels, installed in top assembly, into holes drilled along top edges of end panels.

Pivot end panels toward top assembly and insert dowels, in end panels, into holes drilled into sides of top assembly.

Illustration 6



5. Refer to Illustration 6. Open top assembly doors and use the 4mm Allen wrench (from hardware pack) to install lag bolts (from hardware pack) through holes in side walls of top assembly and into end panels. Fully tighten lag bolts.

6. Refer to Illustration 6. Position two corner brackets (from hardware pack) against the bottom of top assembly and against each end panel as shown.

Always wear eye protection when using power tools. Use the drill and 1/4" power nutdriver to install four wood screws (from hardware pack) through each corner bracket and into end panels and top assembly. Fully tighten wood screws.

# 10534 STACK-ON UNITS

Illustration 7

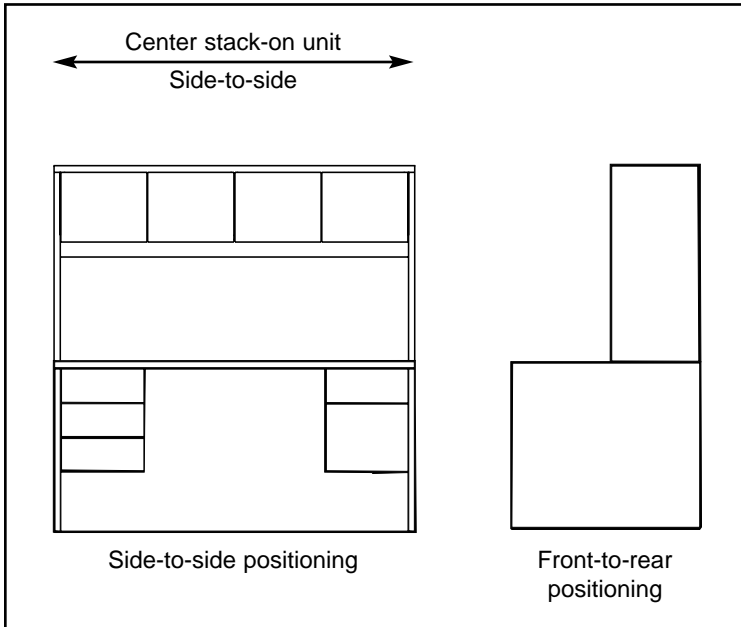
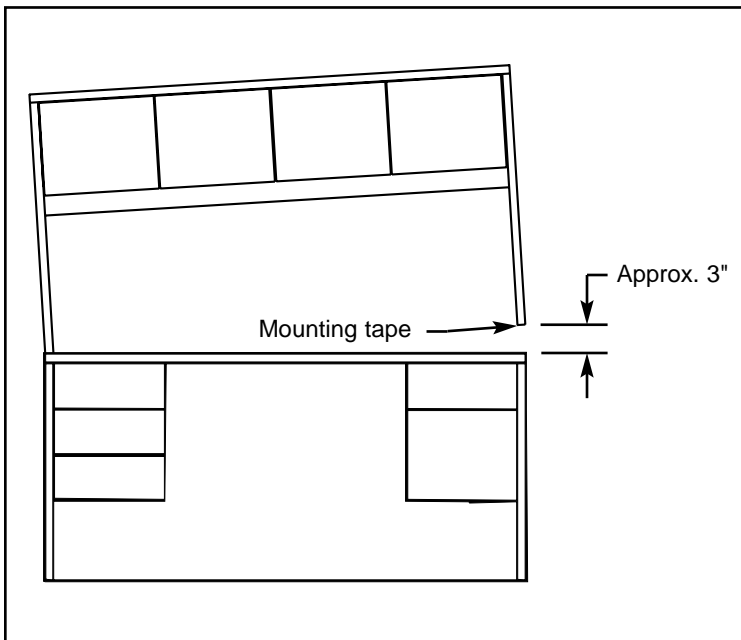


Illustration 8



## IMPORTANT

This stack-on unit is designed to be installed on top of a 72" long desk or credenza.

Ensure all assembly requirements have been properly completed. Read all of the following instructions before proceeding. Mounting surface of shell desk must be clean and free of any wax or oil residue.

Do not remove protective cover on mounting tape until instructed to.

1. Refer to Illustration 7. Use two or more people to position stack-on unit onto desk/credenza. Unit should be flush at rear and be centered from side-to-side. **DO NOT remove protective cover from mounting tape on bottom edge of end panels.**
2. After aligning stack-on unit, place masking tape on top of desk/credenza to mark each end panel position.

## IMPORTANT

Mounting tape used to secure stack-on unit is extremely sensitive and is designed to be a permanent installation. Attempting to remove stack-on unit will cause severe damage to surface of desk/credenza.

3. Refer to Illustration 8. Lift one end of stack-on unit up approximately 3". Be especially careful not to apply any pressure which may cause the opposite end of stack-on unit to slip off desk/credenza.
4. While stack-on unit is raised, remove protective cover from mounting tape. While maintaining alignment, carefully lower stack-on unit and realign end panel with masking tape. Repeat this procedure for remaining end panel.

## ⚠ WARNING

**Do not lean on, bump, or load storage shelf of this stack-on unit for a period of 12 hours minimum after the mounting tape has been in contact with desk/credenza. Do not use unit without the mounting tape. Failure to follow this warning can cause the stack-on unit to tip and fall, resulting in severe injury to yourself or others.**