

94291 STORAGE CABINET

Illustration 1

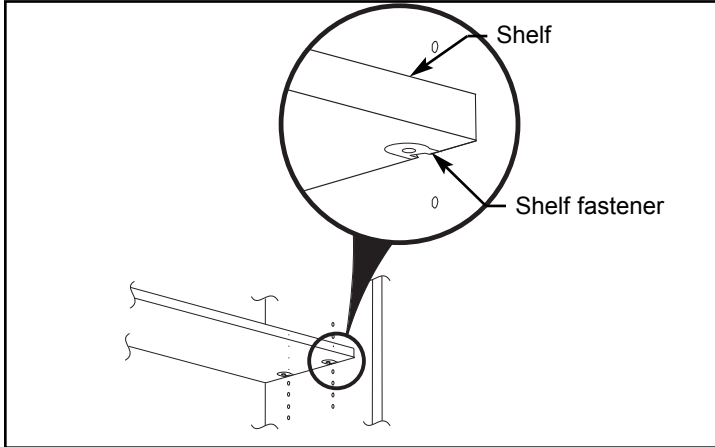
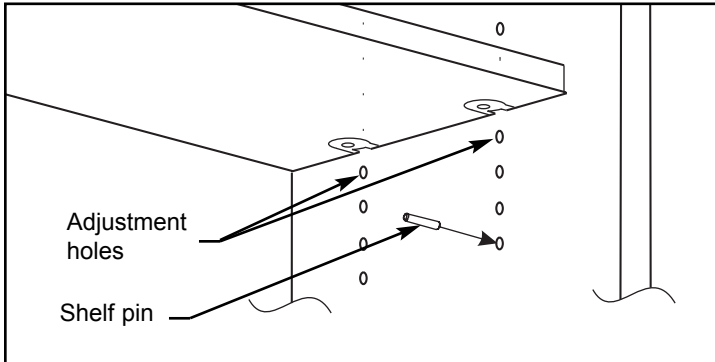


Illustration 2



Read all instructions and review illustrations before installing.

Tools required for assembly:
Phillips screwdriver

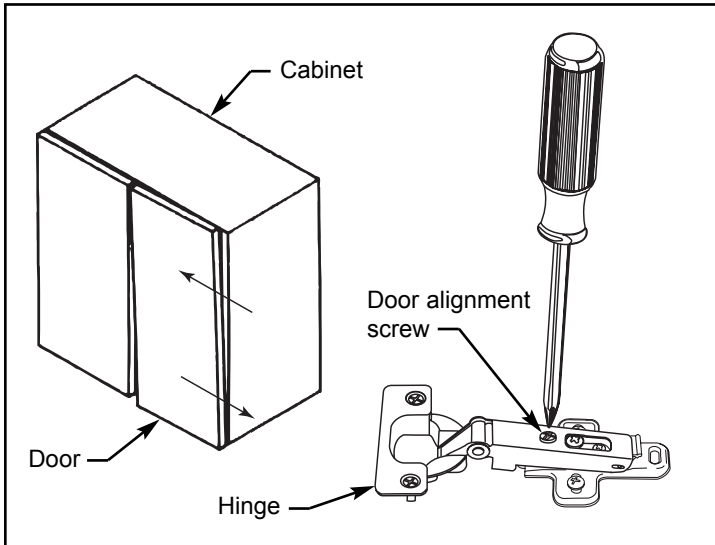
Shelf Adjustment:

1. Fully open cabinet doors.
2. Refer to Illustration 1. Using Phillips screwdriver, loosen shelf by turning shelf fasteners 1/2 turn counter-clockwise or until loose.
3. Lift shelf off fastener pins and set aside.
4. Refer to Illustrations 1 and 2. Remove fastener pins from holes and insert at desired position. Ensure all four pins are installed at same height.
5. With notches down, position the shelf onto the fastener pins. Ensure fastener pins are seated into the shelf fasteners in bottom of adjustable shelf.
6. Using Phillips screwdriver, tighten shelf by turning shelf fasteners 1/2 turn clockwise or until fully locked on pins.

INSTALLATION INSTRUCTIONS

94291 STORAGE CABINET

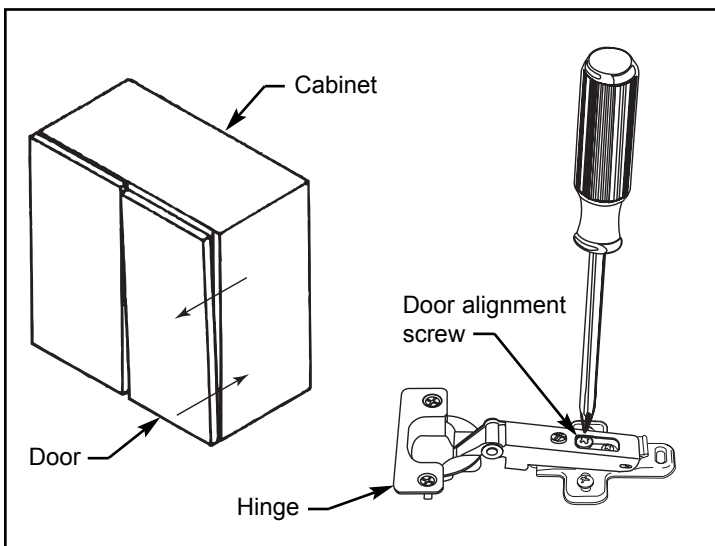
Illustration 3



Side-To-Side Door Hinge Adjustment Instructions (refer to Illustration 3):

1. Fully open cabinet door.
2. Locate door alignment screw on door hinge assembly.
3. Use the Phillips screwdriver to adjust door alignment screw.
4. Turn door alignment screw clockwise to adjust door out or counterclockwise to adjust door in.

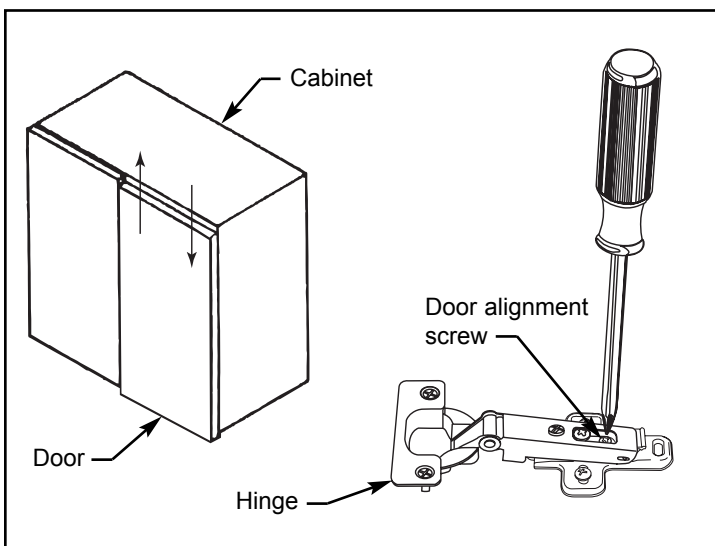
Illustration 4



Front-To-Back Door Hinge Adjustment Instructions (refer to Illustration 4):

1. Fully open cabinet door.
2. Locate hinge mounting screw on door hinge assembly.
3. Use the Phillips screwdriver to loosen (but do not remove) the hinge mounting screw.
4. Adjust alignment of door and retighten hinge mounting screw.

Illustration 5



Up-Or-Down Door Hinge Adjustment Instructions (refer to Illustration 5):

1. Fully open cabinet door.
2. Locate door alignment screw on door hinge assembly.
3. Use the Phillips screwdriver to adjust door alignment screw.
4. Turn door alignment screw clockwise to adjust door down or counterclockwise to adjust door up.