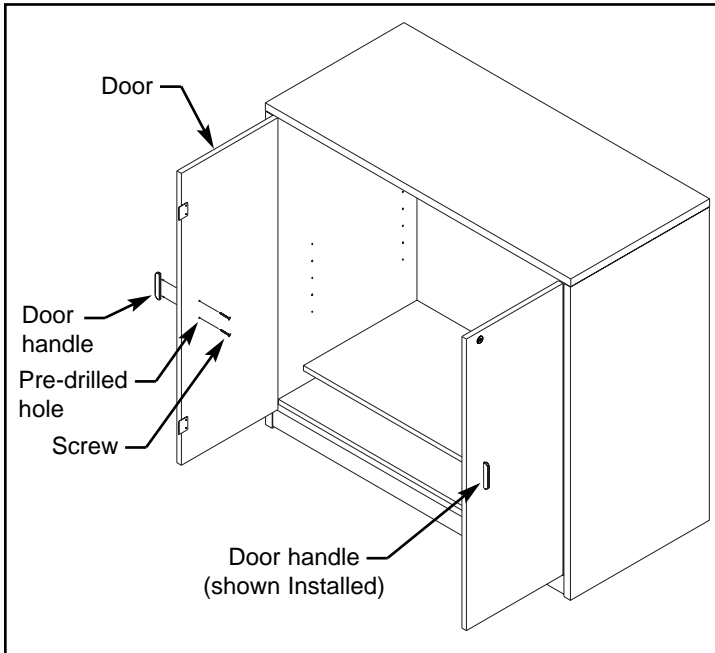


DOOR CABINET

INSTALLATION INSTRUCTIONS

Illustration 1



Read all instructions and review illustrations before installing.

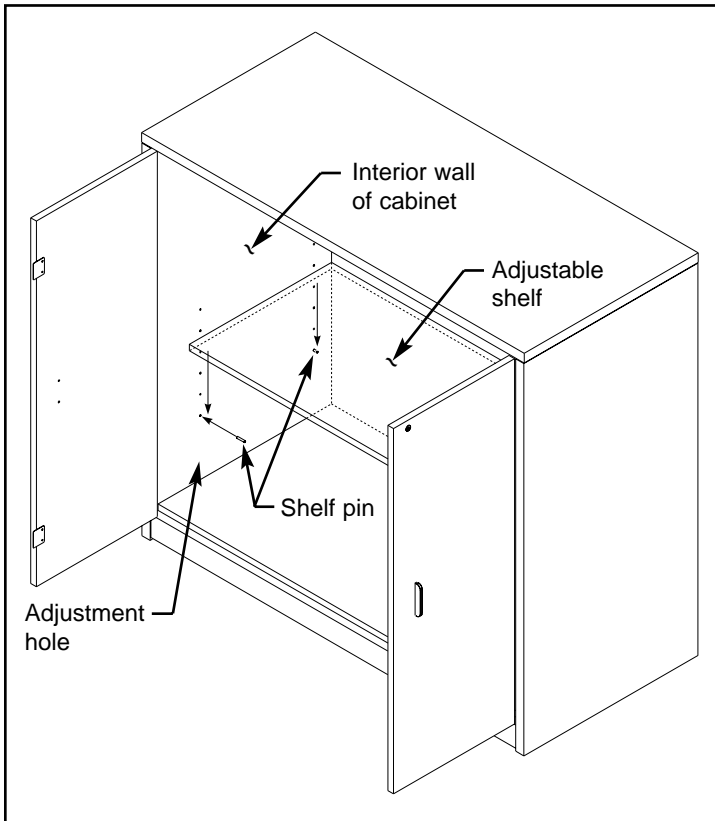
Tools required for assembly:
Phillips screwdriver

Hardware pack includes:
(2) Door handle (4) Screw

Door Handle Installation (refer to Illustration 1):

1. Fully open cabinet doors.
2. Locate pre-drilled holes along inside edge of each door.
3. On the outside of one door, align holes in rear of door handle with pre-drilled holes in door.
4. Use the Phillips screwdriver to install two screws (from hardware pack) through pre-drilled holes in door and into holes in rear of door handle.
5. Repeat Steps 3 and 4 for remaining door.

Illustration 2

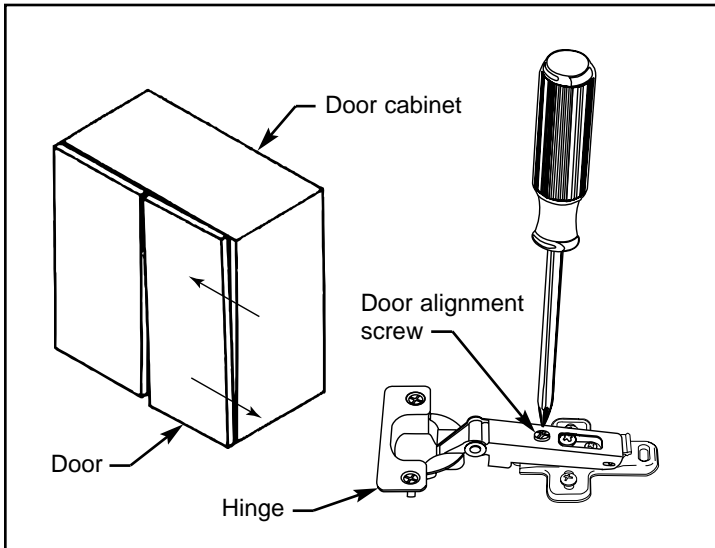


Shelf Adjustment (refer to Illustration 2):

1. Fully open cabinet doors.
2. Locate shelf adjustment holes on interior walls of cabinet.
3. Insert shelf pins, at desired location, into shelf adjustment holes. Insert four pins and ensure pins are installed at the same height.
4. With notches down, position adjustable shelf onto shelf pins. Ensure shelf pins are seated into notches in bottom of adjustable shelf.

DOOR CABINET

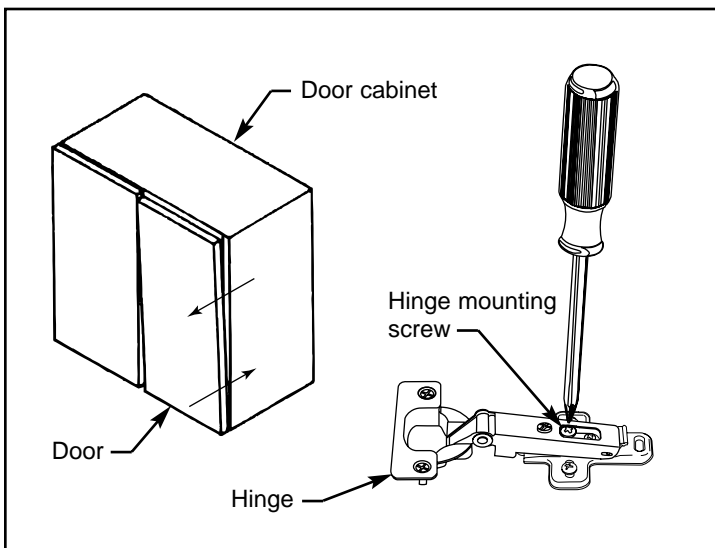
Illustration 3



Side-To-Side Door Hinge Adjustment Instructions (refer to Illustration 3):

1. Fully open cabinet doors.
2. Locate door alignment screw on door hinge assembly.
3. Use the Phillips screwdriver to adjust door alignment screw.
4. Turn door alignment screw clockwise to adjust door out or counterclockwise to adjust door in.

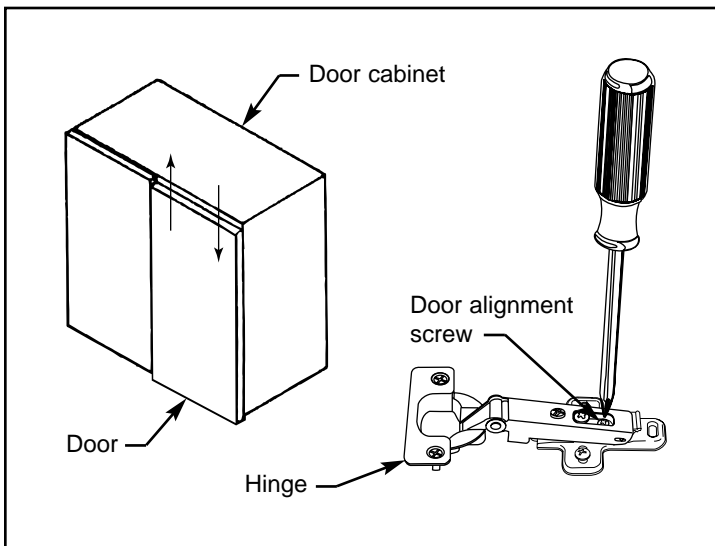
Illustration 4



Front-To-Back Door Hinge Adjustment Instructions (refer to Illustration 4):

1. Fully open cabinet doors.
2. Locate hinge mounting screw on door hinge assembly.
3. Use the Phillips screwdriver to loosen (but do not remove) the hinge mounting screw.
4. Adjust alignment of door and retighten hinge mounting screw.

Illustration 5



Up-Or-Down Door Hinge Adjustment Instructions (refer to Illustration 5):

1. Fully open cabinet doors.
2. Locate door alignment screw on door hinge assembly.
3. Use the Phillips screwdriver to adjust door alignment screw.
4. Turn door alignment screw clockwise to adjust door down or counterclockwise to adjust door up.