

94000 SERIES DESK/CREDENZA

Read all instructions and review illustrations before installing.

Tools required for assembly:

Phillips screwdriver Level

Assembly hardware pack includes:

(3 or 4) Glide

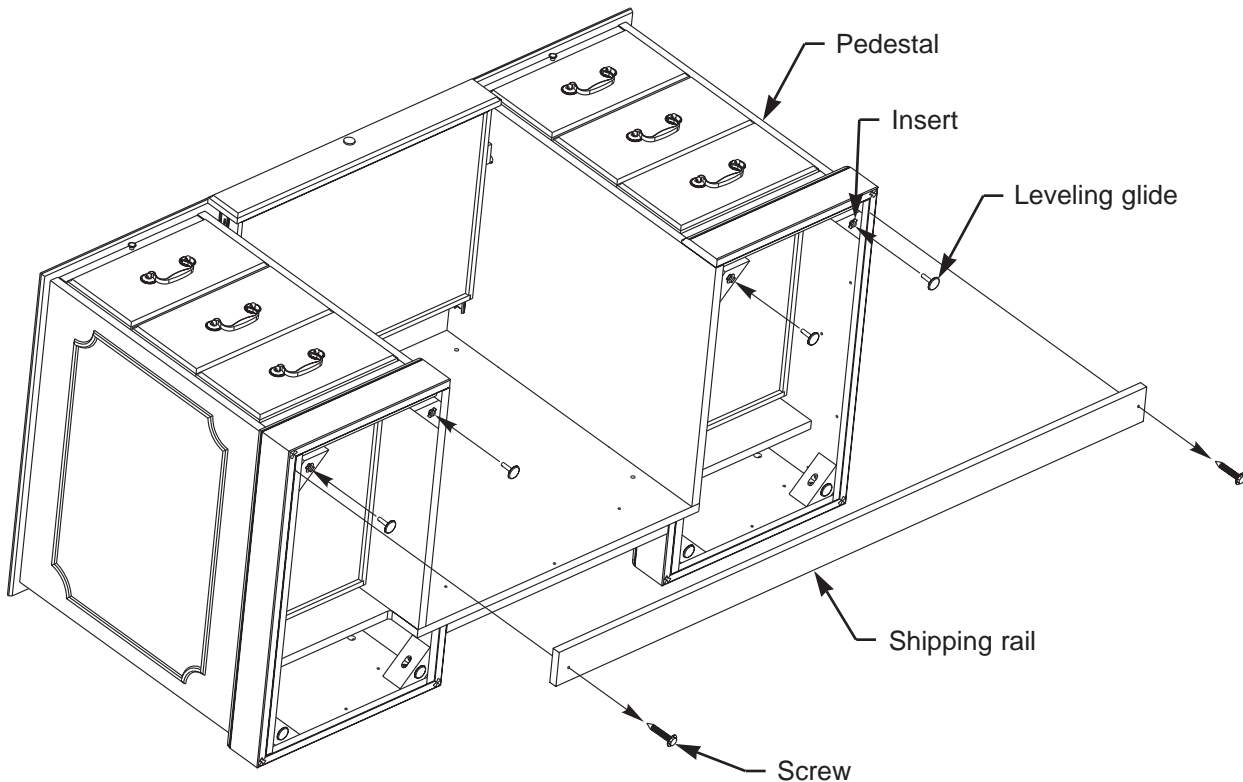
! WARNING

Wood products are heavier than they appear and may be hard to control when moving. Use two or more people when moving wood products or severe personal injury may result.

Installation (refer to Illustration 1):

1. Use two or more people to roll unit onto it's back.
2. Use the Phillips screwdriver to remove screws securing shipping rail to bottom of unit. Discard screws and shipping rail.
3. Locate threaded inserts along front edge of pedestal(s). Thread a leveling glide (from hardware pack) into each threaded insert by turning glide clockwise until leveling glide is flat against threaded insert.
4. Use two or more people to set unit upright and position unit where it will be used.
5. Adjust leveling glides to level unit (side-to-side and front-to-back).

Illustration 1



INSTALLATION INSTRUCTIONS